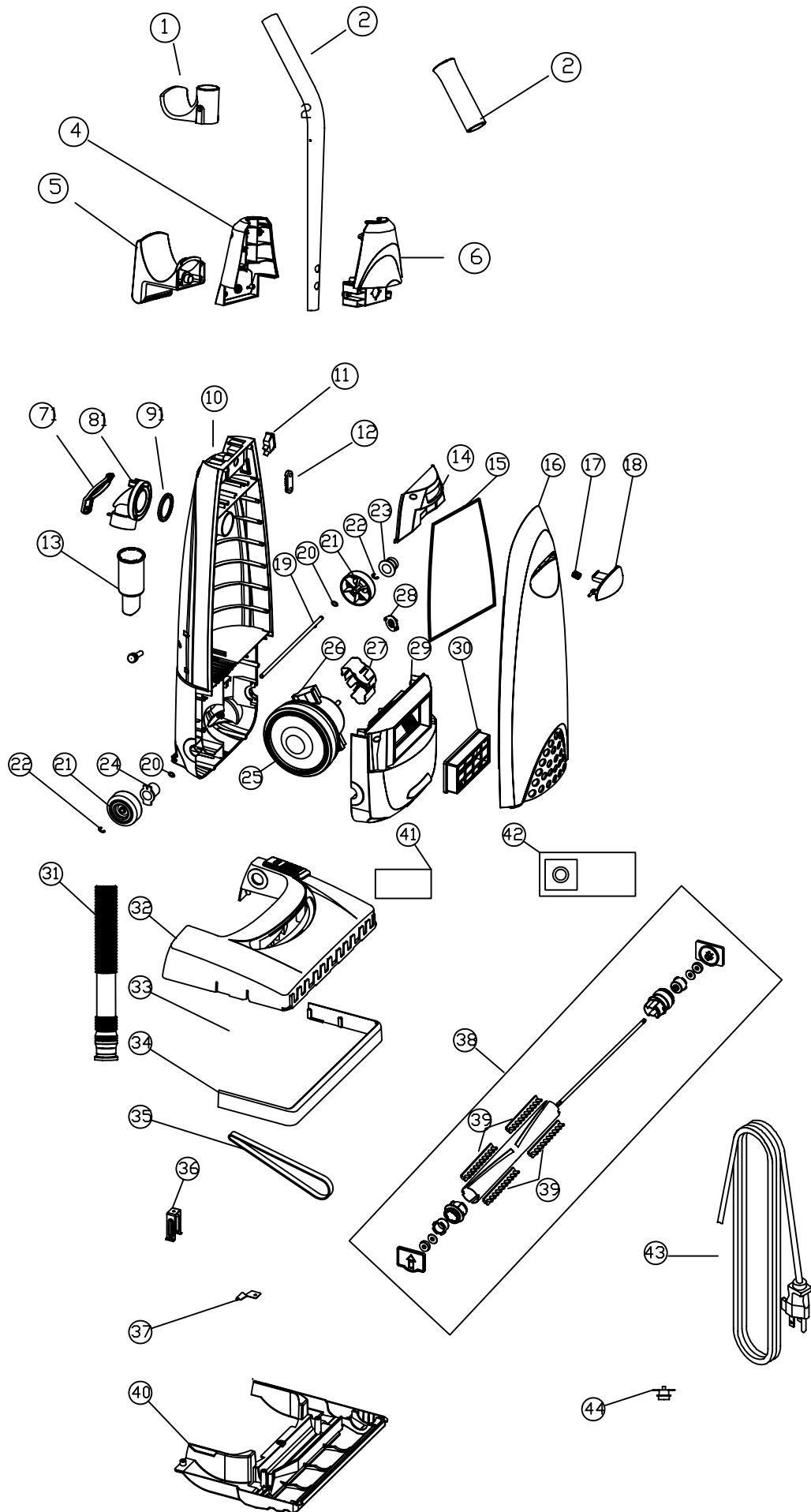


CLEAN MAX
CMC-1N

CMC-1N



CMC-1N

REF#	Part#	Description
1	53.075	Hose Supporter
2	53.076	Metal Handle Tube
3	B431-2300	Handle Grip Rubber
4	53.077	Handle Support
5	53.079	Carry Handle Cord Wrap
6	53.078	Handle Support Front
7	53.014	Suction Inlet Cover
8	53.015	Suction inlet
9	53.016	Suction Inlet Seal
10	53.057	Dust compartment
11	53.018	Switch
12	53.019	Cord cover
13	53.020	Hose cuff
14	53.021	Switch cover
15	53.022	Dust compartment seal
16	CM06SS001	CleanMax Dust Cover
17	53.024	Dust cover lever spring
18	53.025	Dust cover lever
19	53.027	Rear wheel axle
20	53.028	Rear wheel washer
21	53.029	Rear wheel
22	53.030	Rear wheel clip
23	53.031	Rear wheel bushing left
24	53.032	Rear wheel bushing right
25	53.033	Motor mount rear large
26	20.080	Motor 12amp
27	53.035	Motor sponge
28	53.036	Motor mount front small
29	53.037	Motor cover
30	CMS-HEPA	HEPA Filter Exhaust
	CMS-PF	Filter Exhaust
31	53.039	Hose assembly stretch
32	CM06SS002	CleanMax Nozzle Housing CMS-1X
33	53.042	Brushroll felt seal
34	53.043	Furniture guard
35	CMS-BB	Belt all models
36	53.044	Belt guide
37	53.458	Handle Release Spring
38	10.091	Brushroll assembly (metal)
39	CMS-STRIP	Nylon Brush Strip
40	53.049	Bottom plate
41	CMS-SF	Secondary Filter
42	CMP-12	Paper Bag 12pk
	CMH-6	HEPA Bag 6pk
43	CMS-40C	Power Cord 30'
44	53.054	Thermal reset switch