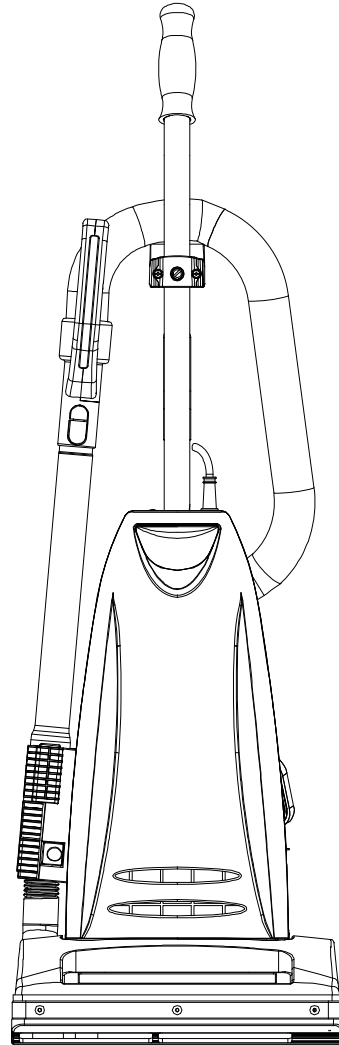


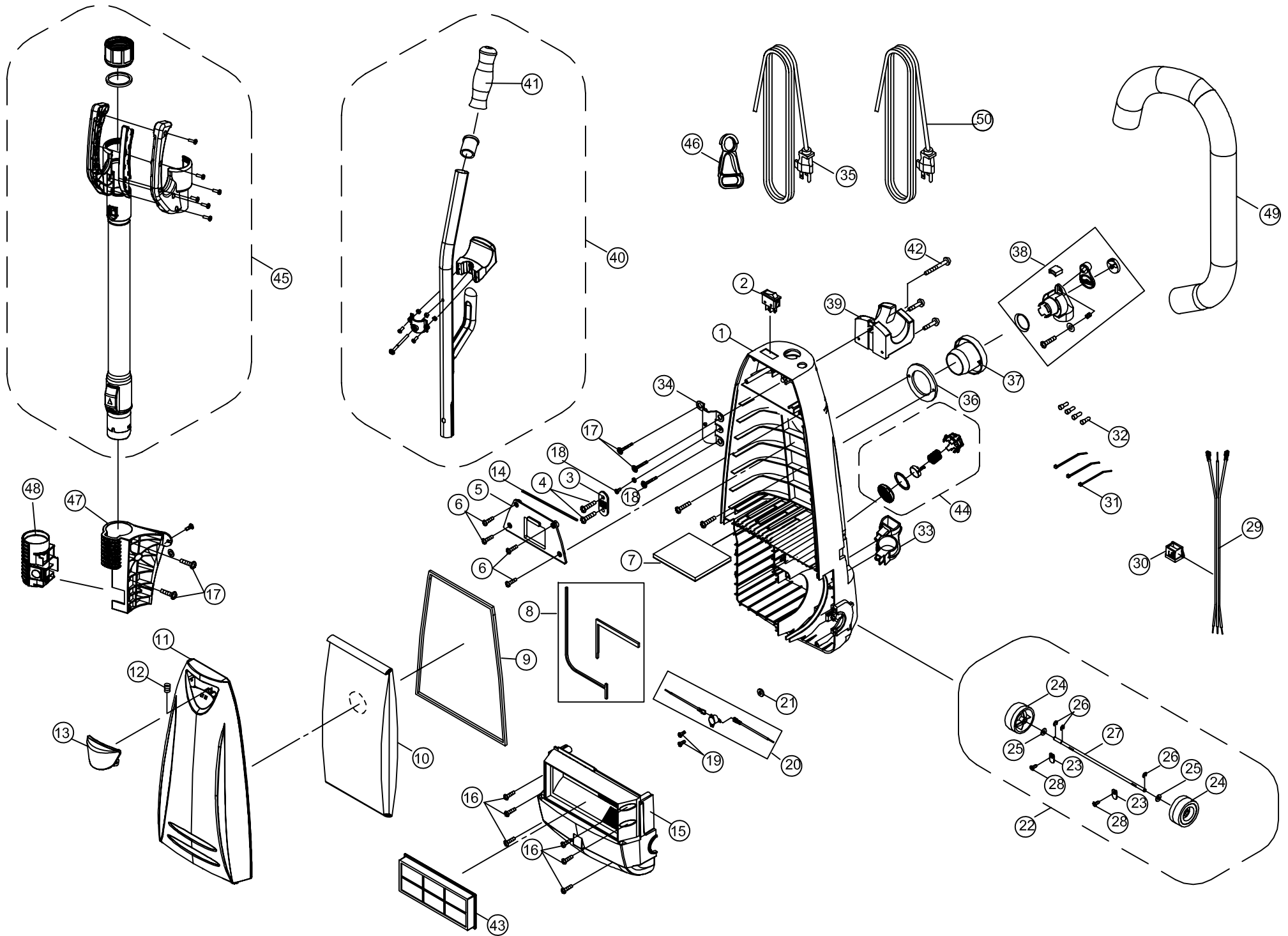
# PARTS LIST



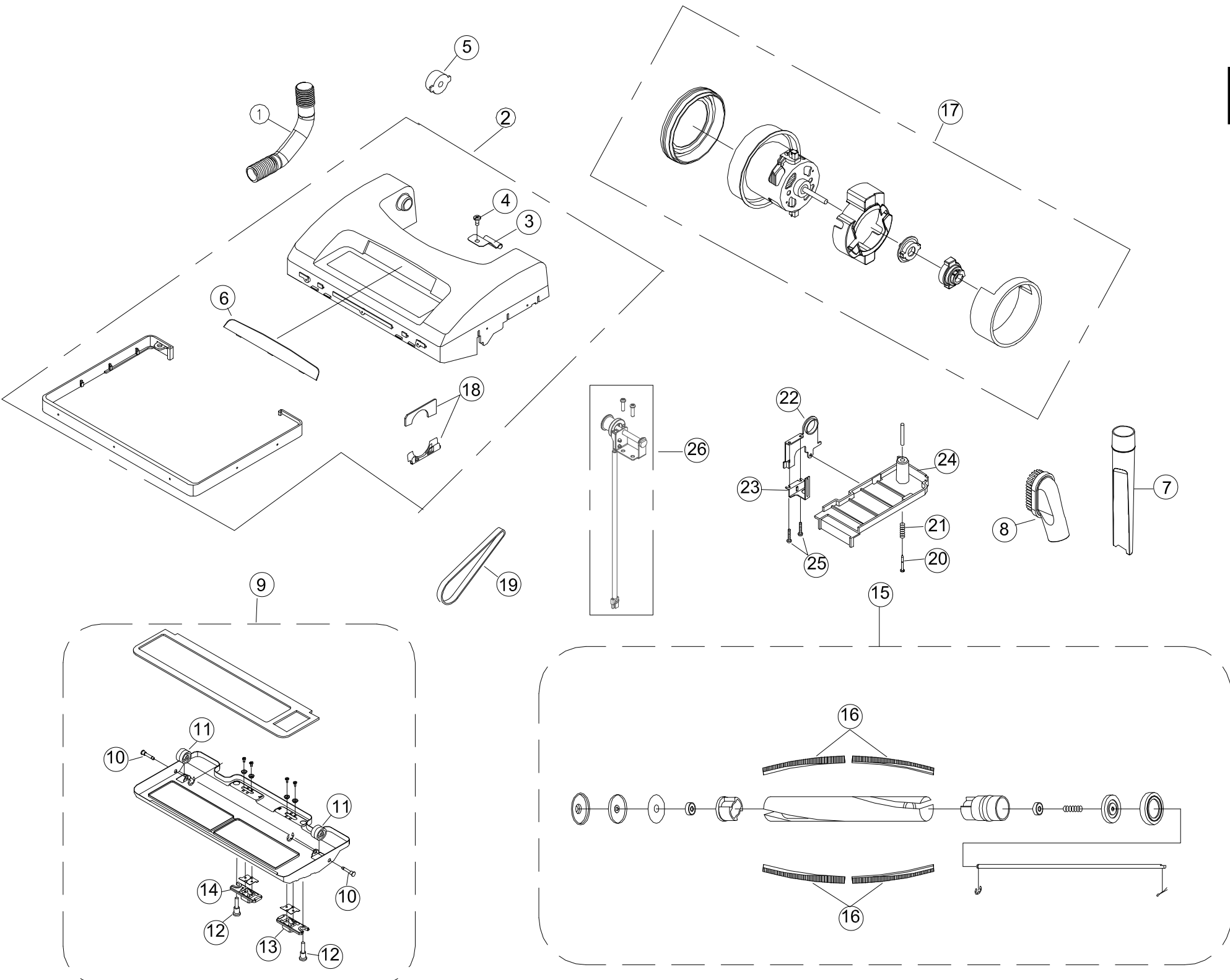
**MODEL CMPS-QDZ**

VPPB-CMPS-QDZ

# A



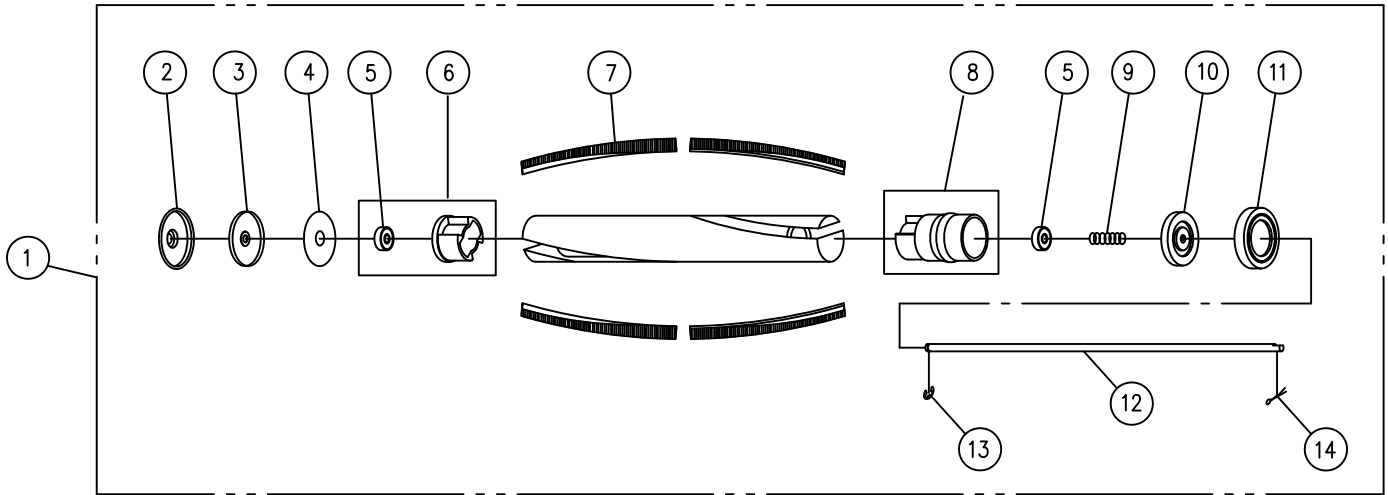
KEY	ITEM	DESCRIPTION	KEY	ITEM	DESCRIPTION
1	CM021001	Dust Compartment	27	54.135	Rear Wheel Shaft
2	25.104	Switch	28	A732-8500	Screw
3		Not Available	29	B224-3014B	Motor Lead Cord
4	A732-8314	Screw	30	A732-4114	Wire Bushing
5	84.102	Switch Cover	31	A732-0100	Zip Tie
6	A732-4500	Screw	32	B123-0100	Wire Connector
7	CMPS-SF	Secondary Filter	33	CM021007	On-Board Tools Holder
8	84.103	Seal Kit	34	CM021009	Handle Retainer
9	54.134	Dust Compartment Seal	35	CMPS-50C	Power Cord 50' 17/3
10	CMP-12	Paper Bag 12pk	36	Z19	Swivel Inlet Gasket
	CMH-6	HEPA Bag 6pk	37	B211-0230	Paper Bag Inlet
11	CM-A0101	Dust Cover Assembly w/Latch	38	C625-0131	Suction Inlet Assembly
12	54.123	Latch Spring	39	54.140	Hose Hanger
13	54.124	Dust Cover Latch	40	CMQD-TUBE	Handle Assembly Complete
14	54.128	Switch Cover Seal	41	B431-2300	Rubber Handle Grip
15	CM021005	Motor Cover	42	A232-0100	Handle Screw
16	CM031006	Screw	43	CMPS-HEPA	HEPA Exhaust Final Filter
17	A732-8314	Screw	44	CM021021	Suction Relief Valve Assembly
18	A732-8314	Screw	45	CMQD-HANDLE	Handle Grip Assembly
19	A732-0700	Screw		CMQD-WAND	Quick Draw Wand Only
20	B333-0400B	Thermal Reset Switch	46	B352-6900	Cord Restraint
21	B333-0600	Temperature Switch Seal	47	CMQD-WNDHLD	Quick Draw Attachment Holder
22	CM021006	Rear Wheel and Axle	48	CMQD-CO	Quick Draw Clean Out
23	54.136	Washer	49	CMQD-HOSE	Nozzle Hose
24	B210-0531	Rear Wheel	50	CMPS-EXT30	CleanMax 30" Yellow Ext Cord
25	A328-0100B	Nylon Axle Washer		CM011458	CleanMax Pro Series Lead Cord
26	A732-0300	E-Clip 5mm			Pigtail Style Units



**DRAWING B****CMPS-QDZ**

<b>KEY</b>	<b>ITEM</b>	<b>DESCRIPTION</b>
1	CMQD-NOZHOSE	Nozzle Hose
2	CMPZ-NH	Nozzle Housing
3	53.088B	Handle Release Spring
4	CM031000	Screw
5	84.200	Pivot Sleeve Bushing
6	CM011001	Lens
7	CM040002	Crevice Tool
8	CM040003	Round Dusting Brush
9	CM011007	Base Plate Assembly
10	B010-0500	Base Plate Wheel Axle
11	B010-0413	Base Plate Wheel
12	CM011012	Base Plate Latch Stud
13	CM011008	Base Plate Latch Left
14	CM011009	Base Plate Latch Right
15	CMPZ-BROLL	Brush Roll Assembly
16	CMP-STRIP	Agitator Brush
17	D123-5200	Motor
18	B017-1200	Venting Support Fitting
	A09	Felt Packing
19	B014-1400	Belt
20	CM031004	Screws
21	CM031005	Spring
22	CM011004	Pedal Frame
23	B014-0500	Belt Cover
24	CM011006	Pedal
25	A732-7300	Screws
26	D375-1400	Hall Sensor Idler Assy

# AGITATOR GROUP CMPS-QDZ



KEY	Part No	Description
1	CMPZ-BROLL	Agitator Assembly Complete
2	B012-0214	Rubber End Cover Left
3	B012-0700	End Cap Left
4	B012-0600	Agitator Bearing Felt Cover
5	B012-1400	Agitator Bearing
6	C012-1500	Agitator Bearing Holder Assy
7	CMP-STRIP	Agitator Brush Strip 10.3mm
8	C012-0914	Non Clutch Agitator Pulley w/Bearing
9	B624-0100	Spacing Spring
10	B012-0800	End Cap Right
11	B012-0114	Rubber End Cover Right
12	B012-1000	Agitator Shaft
13	A732-0200	E-Clip 4mm
14		Not Available