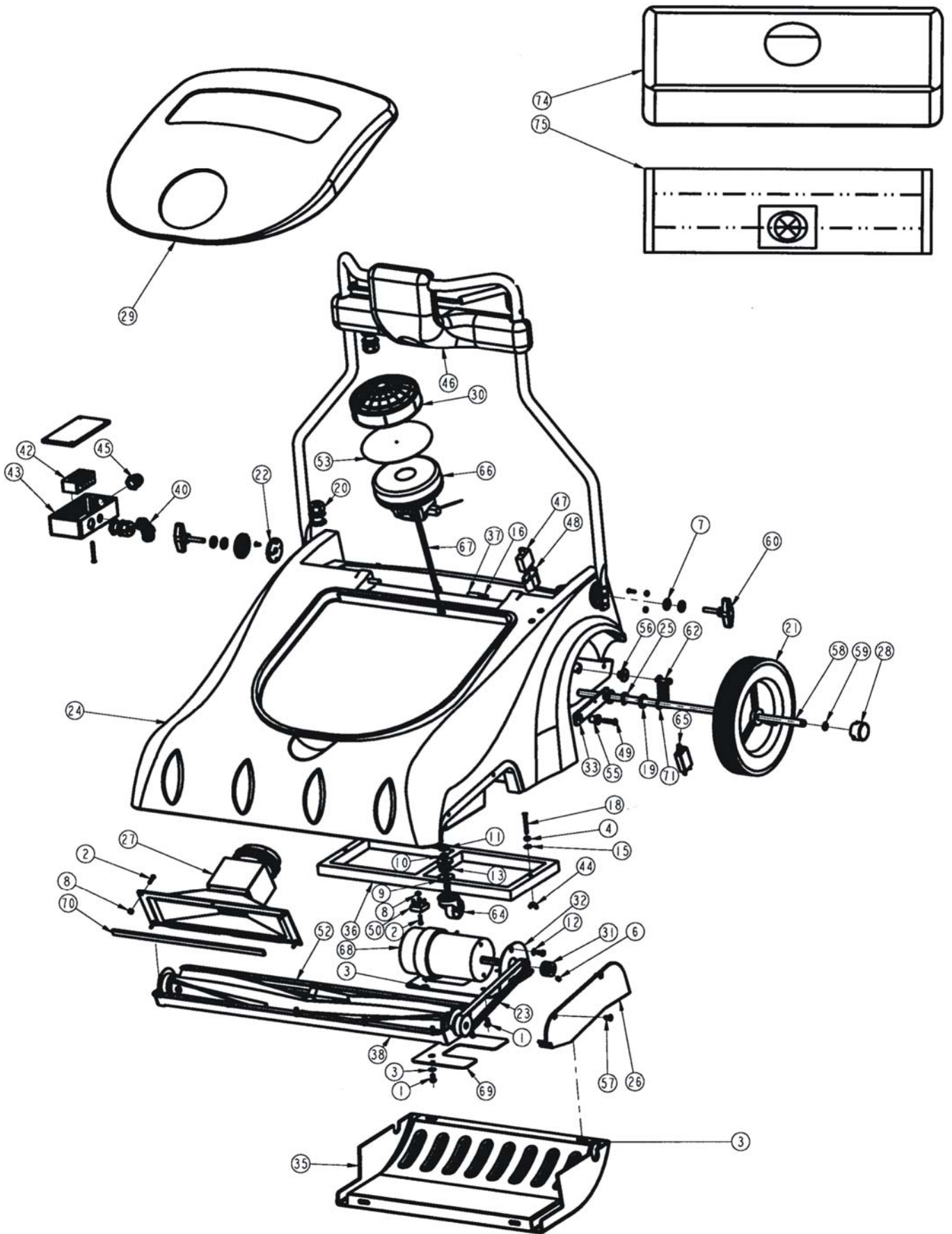
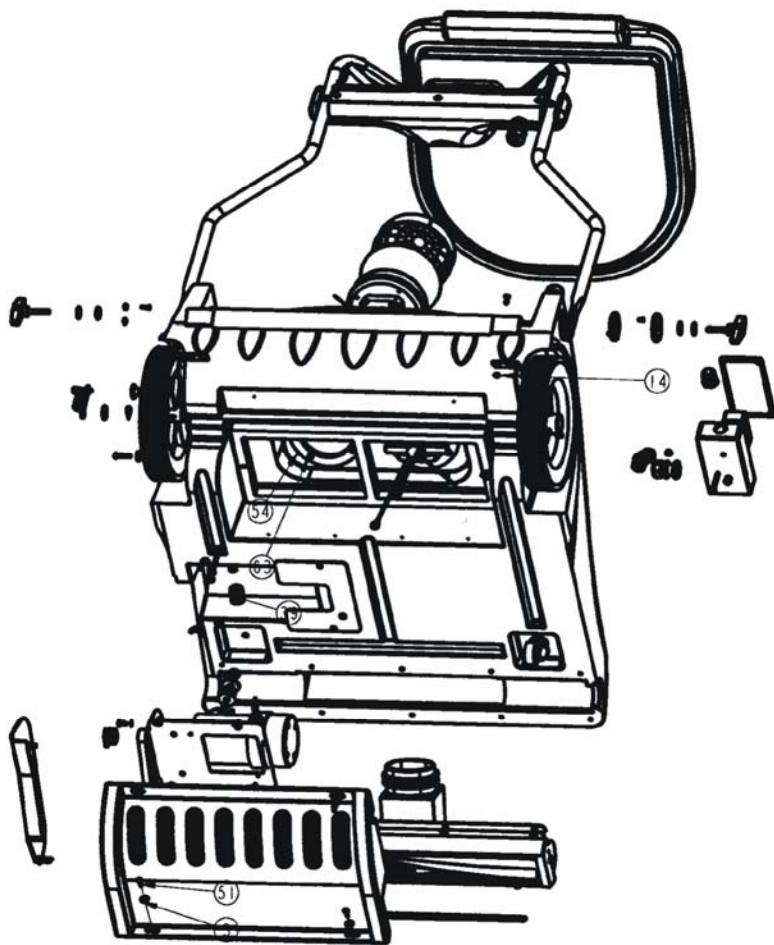
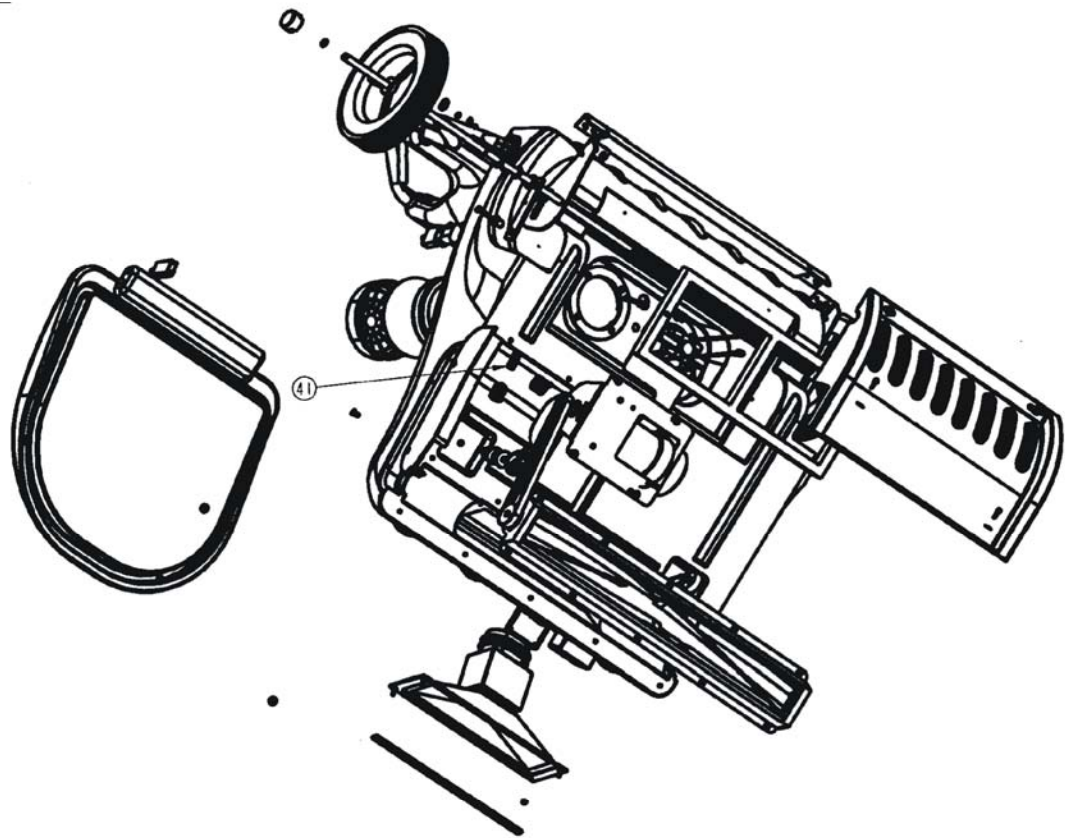


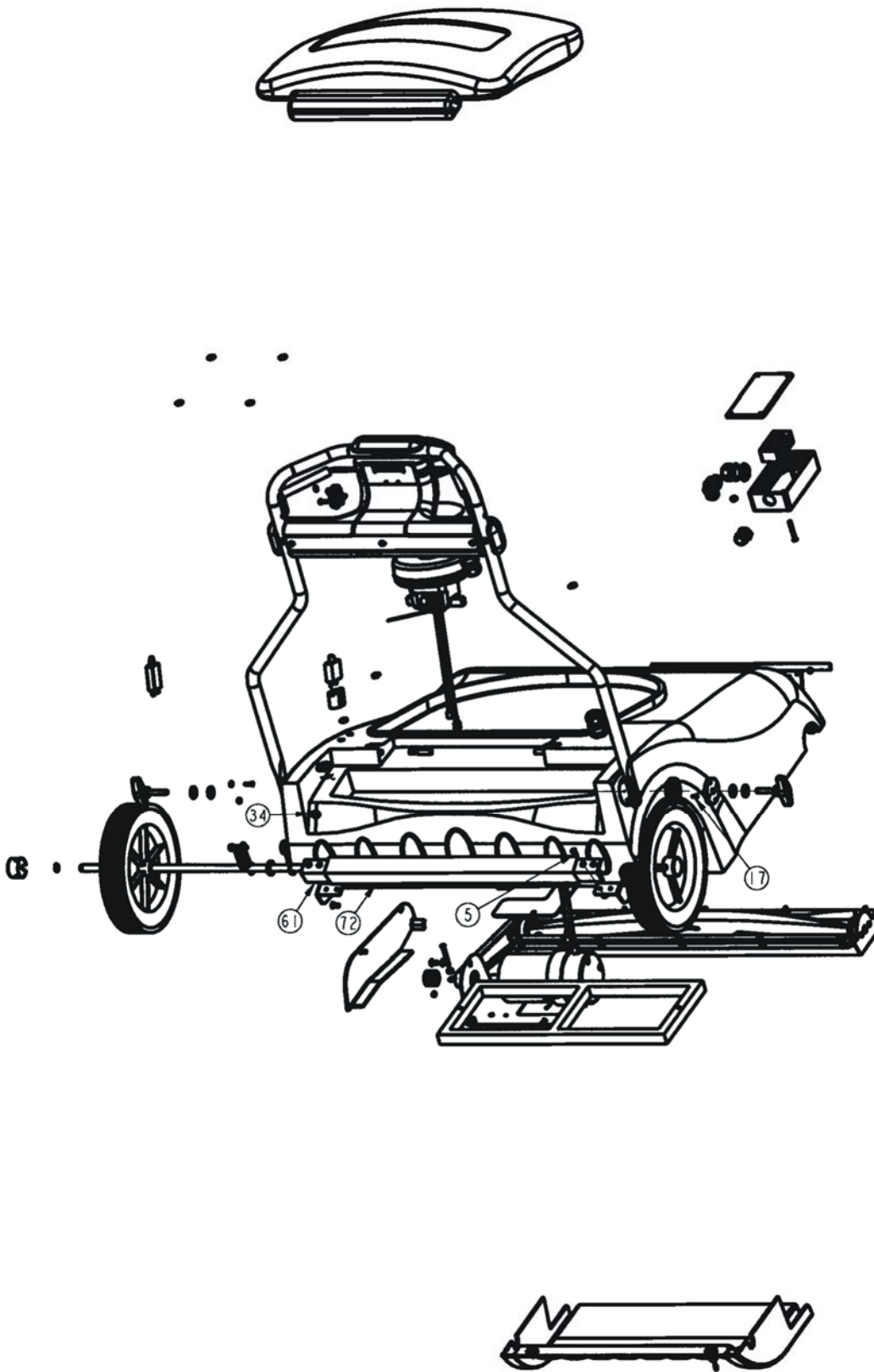
**CLEAN MAX**

WIDE AREA VAC

CM-WAV







**FULL ASSEMBLY PARTS LIST**

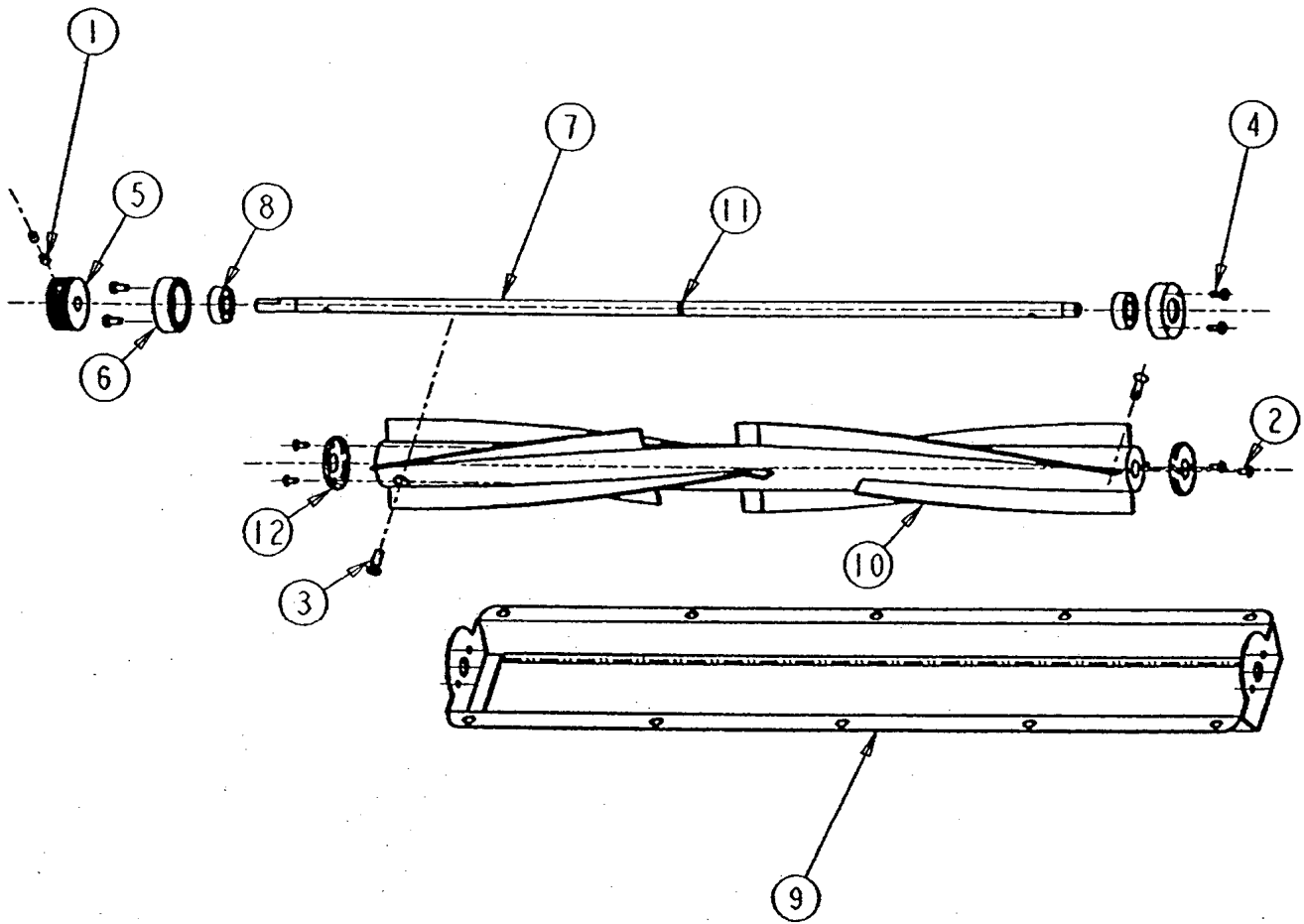
<b>ITEM</b>	<b>QTY</b>	<b>PART #</b>	<b>DESCRIPTION</b>
1	16	00086	SCREW - PHILLIPS ROUND HEAD MACHINE 1/4-20 X 1/2
2	5	00600	SCREW - SLOTTED ROUND HEAD MACHINE #8-32 X 3/4
3	4	00851	WASHER - PLAIN 1/4
4	4	01604	NUT – FINISHED HEX
5	4	01993	SCREW - PHILLIPS FLAT HEAD MACHINE #10-24 X 3/4
6	1	02011	SET SCREW, BRUSH PULLEY
7	4	02568	WASHER - PLAIN 5/16
8	5	02956	NUT – HEX. LOCK (KEPS) *8-32
9	4	03321	WASHER - PLAIN .391
10	2	03536	WASHER - LOCK 3/8"
11	2	05025	NUT – HEX. LOCK JAM
12	2	07870	WASHER - LOCK (I/T) 1/4"
13	2	10373	WASHER - PLAIN .500
14	4	10894	NUT – HEX. LOCK (P/T)
15	2	11385	WASHER SEALING
16	2	15357	SPRING - LATCH RELEASE
17	8	15475	SCREW – PHILLIPS FLAT HEAD MACHINE #8-32 X 3/8
18	4	16433	SCREW – PHILLIPS FLAT HEAD MACHINE #10-32 X 1-3/4
19	4	16581	WASHER – PLAIN 1/2"
20	4	18793	STRAIN RELIEF (LIQ.TITE)
21	2	19797	WHEEL 10" PLASTIC HUB 125 LB
22	2	19798	BRACKET GROOVED HANDLE
23	1	19802	BELT, BRUSH DRIVE-POLY
24	1	19814	CHASSIS, MAIN - ROTO MOLDED
25	2	19818	SPRING, 1/2 CURVED (VEND)
26	1	19819	COVER, BELT ROTO-MOLDED
27	1	19822	INTAKE DUCT
28	2	19831	HUB CAP, WHEEL WAV
29	1	B353-4120	LID, MOLDED (WAV)
30	2	19834	FILTER VAC. MTR. INTAKE
31	1	19835	PULLEY, BRUSH DRIVE MOTOR
32	1	19836	MOUNT, BRUSH MOTOR (STEEL)
33	2	19841	ARM , WHEEL PIVOT - 3/16 X 1
34	1	19850	SWITCH, ON/OFF
35	1	19854	COVER EXHAUST .13" NOM. THK
36	1	19855	FILTER, WAV EXHAUST
37	2	19864	PIN, LID HINGE STEEL .340"
38	1	19870	ASS'Y – BRUSH
39	1	19875	FITTING STRAIGHT (BLK PLSTC)
40	1	19876	FITTING, ELBOW (FOR CABLE)
41	1	19878	CONDUIT - CABLE 10" LG.
42	1	19879	BLOCK TERMINAL
43	2	19880	BOX - ELECTRICAL
44	2	19975	NUT - WING (10-32) ZINC PL
45	1	19977	STRAIN RELIEF (PLACTIC)
46	1	19984	ASS'Y HANDLE
47	1	19990	CIRCUIT BREAKER

**FULL ASSEMBLY PARTS LIST - CONTINUED**

48	1	19991	BOOT, RUBBER – ELECTRICAL CONNECT
49	2	19999	SCREW - PHILLIPS ROUND HEAD MACHINE 1/4-20 X 1-1/8
50	1	24185	RECTIFIER 60 AMP
51	4	30018	SCREW - THUMB W/ SHOULDER #10-32 X 1/2"
52	1	30077	GASKET - SHOE (POLY FOAM)
53	2	30088	FILTER - PRE
54	2	30089	GASKET - MOTOR (POLY FOAM)
55	2	30461	SLEEVE PIVOT .5"(.25"ID)
56	2	30464	SLEEVE PIVOT (LRG).312"ID
57	2	30467	SCREW - PHIL. FLAT HD MACH
58	1	30491	ASS'Y AXLE WHEEL
59	2	30507	SNAP RING 1/2" EXTERNAL
60	2	30558	KNOB - HANDLE ADJ.(BLACK)
61	1	30595	PEDAL - FOOT ADJ. (STEEL)
62	2	30617	SCREW - SOCKET HD SHOULDER 5/16 DIA. X 1-1/2"
63	8	30620	SCREW – PHILLIPS PAN HEAD TAPTITE #10-16 X 3/4
64	1	31209	WHEEL, CASTER
65	1	31236	CIRCUIT BREAKER, 3 AMPS
66	2	31540	MOTOR – VACUUM (120V)
67	4	31544	LEAD WIRE – 9" (BLACK)
68	1	32419	MOTOR – BRUSH 115VDC
69	1	32456	PLATE – MOTOR COVER (WAV)
70	1	80605	GASKET MAT'L – NEOPRENE
71	2	30466	SPRING TENSION
72	1	30596	COVER PEDAL
73	1	19473	CORD - POWER (115V) 14/3 75' (MALE PLUG) YELLOW
74	1	19816	BAG, CLOTH
75	4	90701	BAG – PAPER, DISPOS – 10 PACK
(76)	1	18706	WIRE TIES 15" BLACK
(77)	1	30008	DECAL, WIRING
(78)	1	30017	WIRING HARNESS – MAIN BODY
(79)	1	30078	GASKET - HOOD 54" (L-200)
(80)	1	30442	DECAL REPLACEMENT PARTS
(81)	1	30618	DECAL – CARPET LEVEL
(82)	1	15245	TERMINAL – RING #10-16/14 GA (INS)

( ) ITEMS NOT SHOWN

\* ITEM TO BE USED WHERE APPLICABLE

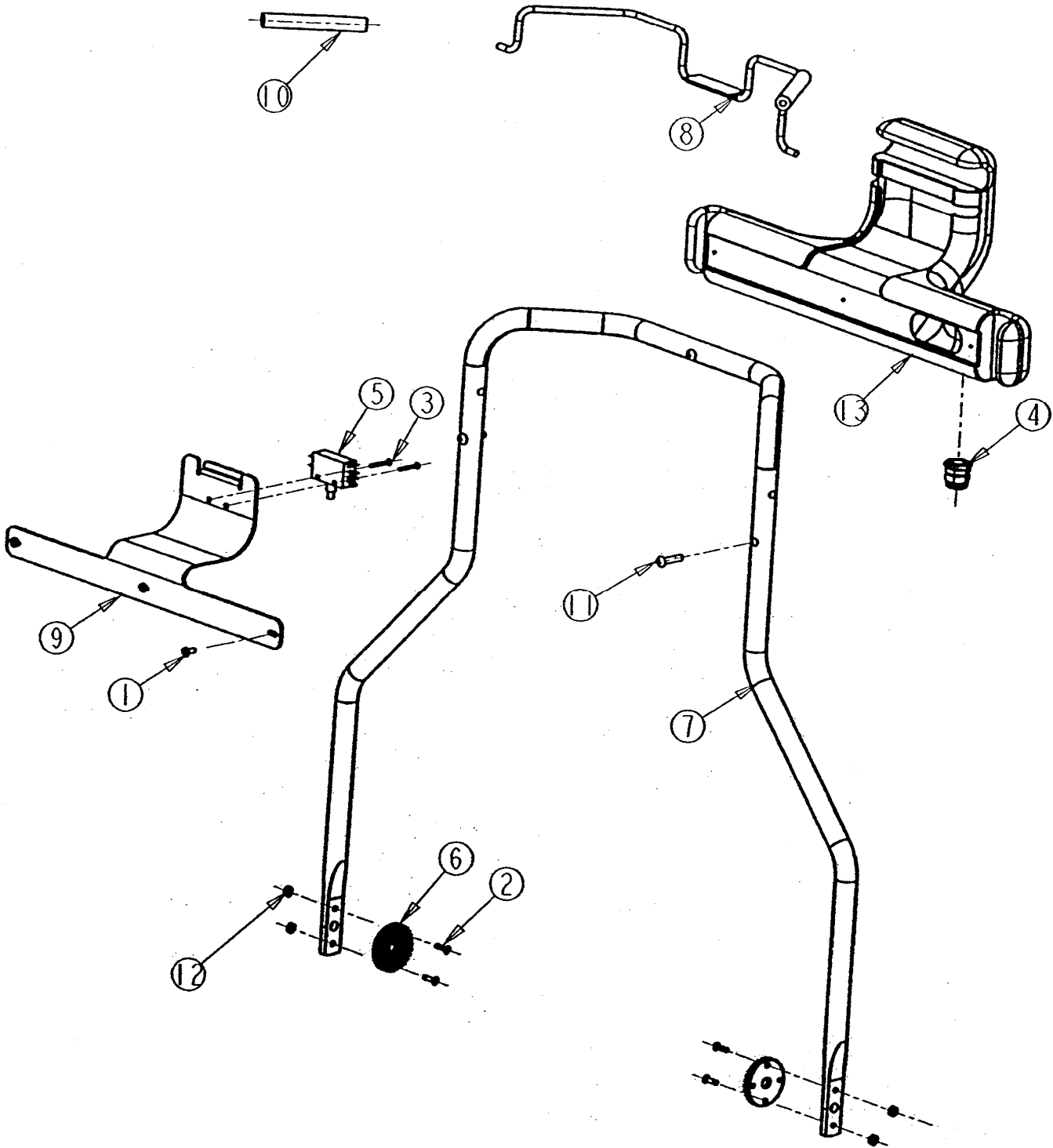


**BRUSH ASSEMBLY PARTS LIST**

(REF. DRAWING 19870)

<u>ITEM</u>	<u>QTY</u>	<u>PART #</u>	<u>DESCRIPTION</u>
1	2	02011	SET SCREW, BRUSH PULLEY
2	4	07535	SCREW #8-15 X .50 LG. (SHEET METAL)
3	2	11276	SCREW 1/4-20 X 7/8" LG. FLAT HEAD
4	4	16142	SCREW #10-32 X 1/2" LG. PAN HD (PHIL)
5	1	19804	BRUSH PULLEY
6	2	19805	BLOCK, BRUSH BEARING
7	1	19808	AXLE, WAV BRUSH
8	2	19809	BEARING, WAV BRUSH
9	1	19810	SHOE, WAV BRUSH MOUNT
10	1	19811	BRUSH 20" WAV
11	1	19838	"O" RING
12	2	19848	THREAD GUARD

**HANDLE ASSEMBLY**  
(DRWG. P/N 30873)





## HANDLE ASSEMBLY PARTS LIST

(REF. DRAWING 30873)

<u>ITEM</u>	<u>QTY</u>	<u>PART #</u>	<u>DESCRIPTION</u>
1	3	03660	#10-24 X 7/16" PAN HEAD SCREW
2	4	05769	#8-32 X 5/8" FLAT HEAD SCREW
3	2	06686	#6-32 X 3/4" PAN HEAD SCREW
4	1	18793	STRAIN RELIEF, CONTROL PANEL
5	1	19357	SWITCH, BRUSH
6	2	19798	BRACKET, HANDLE ADJUSTMENT
7	1	19829	HANDLE, MAIN STEEL TUBE
8	1	19849	TRIGGER, BRUSH SWITCH
9	1	19869	COVER, CONTROL PANEL
10	2	19971	FOAM GRIP TRIGGER
11	3	19999	1/4-20 X 1-1/8" ROUND HEAD SCREW
12	4	30074	HEX NUT LOCK
13	1	19813	CONTROL PANEL, WAV
(14)	1	19996	WIRE HARNESS

\* ITEMS TO BE USED WHERE APPLICABLE

( ) ITEMS NOT SHOWN

