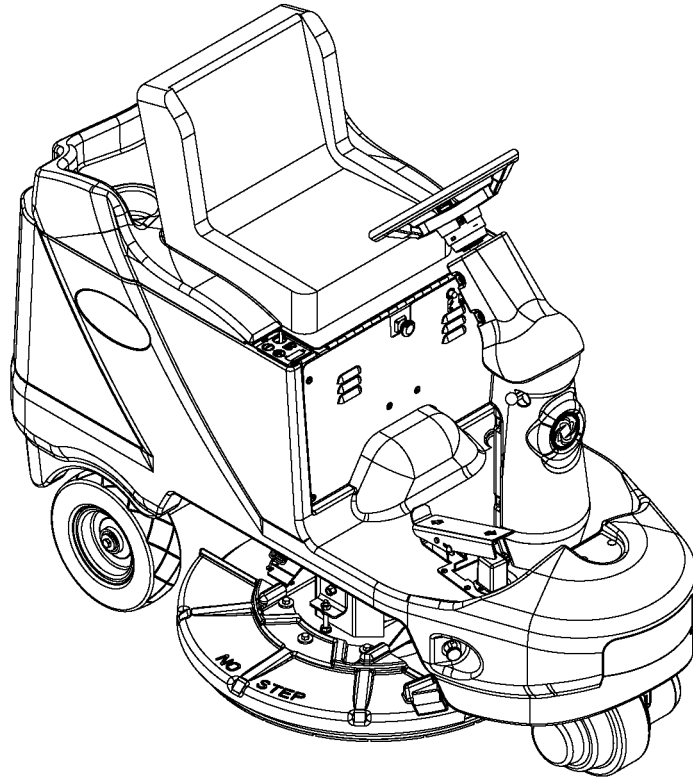


# Advolution™ 2710

## UHR 70-1700



### **PARTS LIST**

**Advance MODELS 56422000, 56422002**

**Nilfisk MODEL 56422001**



**Nilfisk  
Advance**

*setting standards*

3/06 revised 4/06 FORM NO. 56042468  
BOOK D SECTION 5.9.1

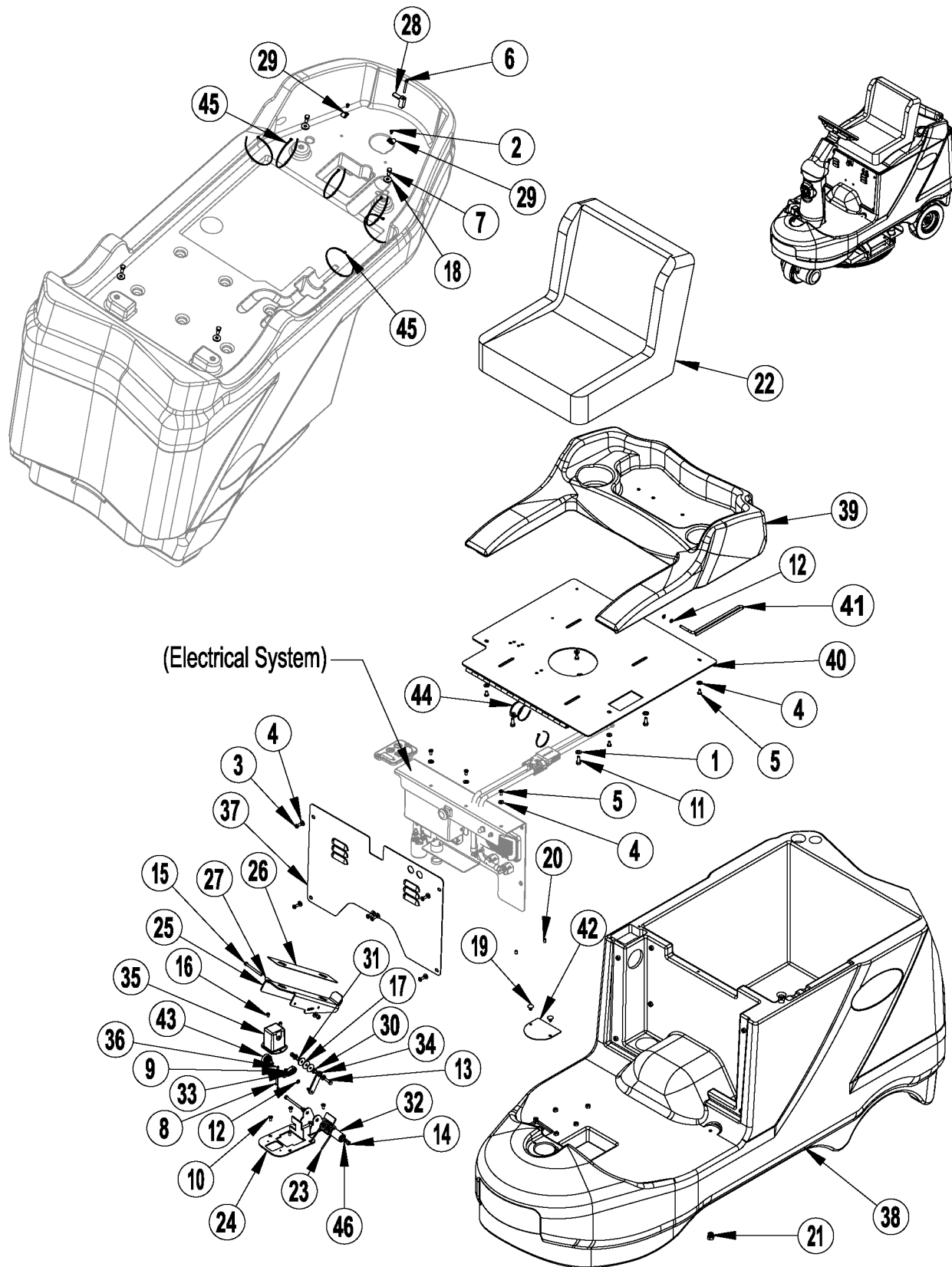


| DESCRIPTION                  | PAGE  |
|------------------------------|-------|
| Body System.....             | 2-3   |
| Chassis System.....          | 4-5   |
| Decal System.....            | 6-7   |
| Electrical System.....       | 8-9   |
| Pad Drive System.....        | 10-11 |
| Steering System.....         | 12-13 |
| Wiring Diagram.....          | 14-15 |
| Options and Accessories..... | 16    |

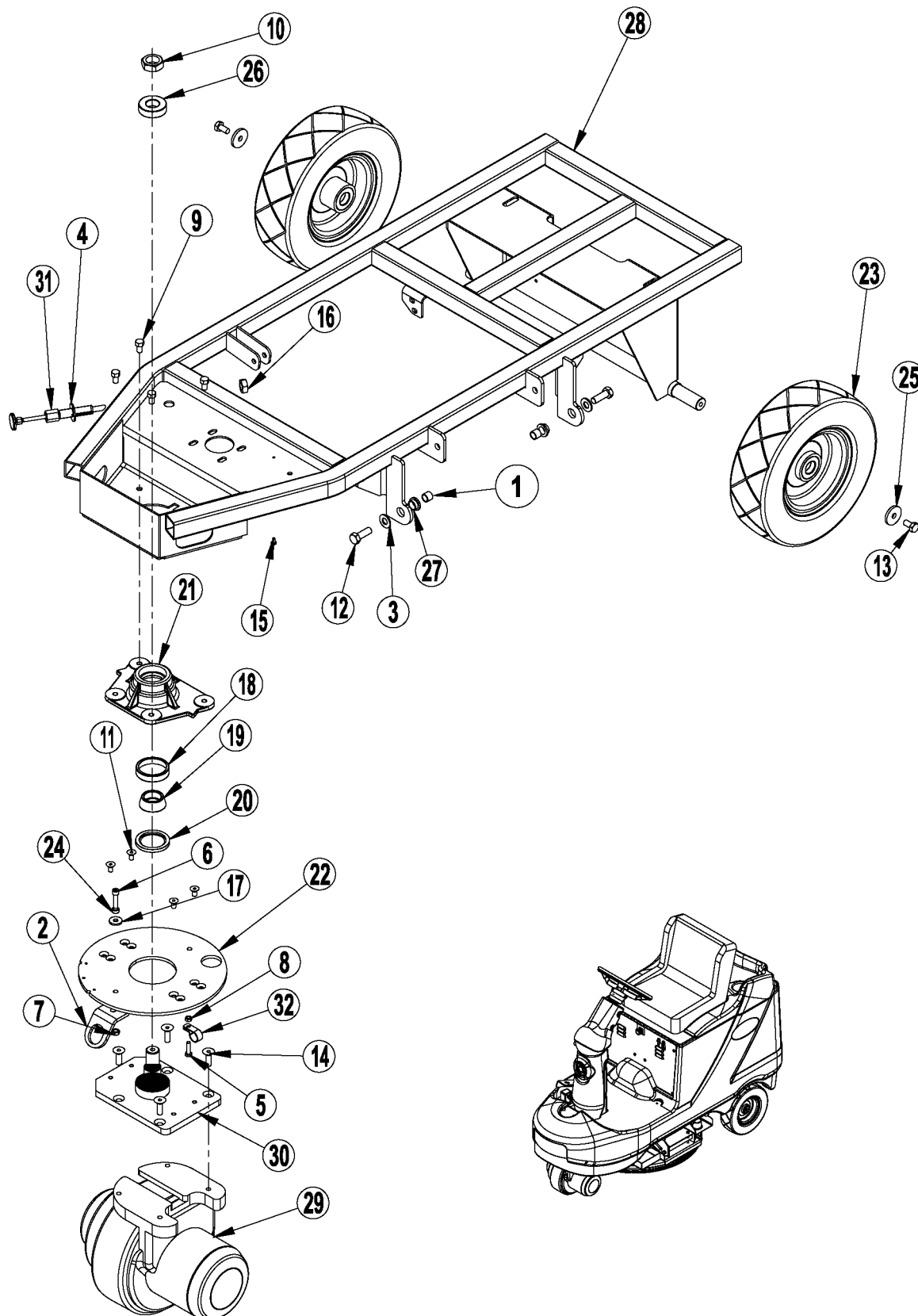
#### WHEN ORDERING PARTS

- \* Use the 8 digit numbers from the "Ref. No." columns in this parts list.
- \* Specify the model and serial number of the machine.
- \* Use the space below to record the model and serial number for future reference.

Model \_\_\_\_\_ Serial No. \_\_\_\_\_

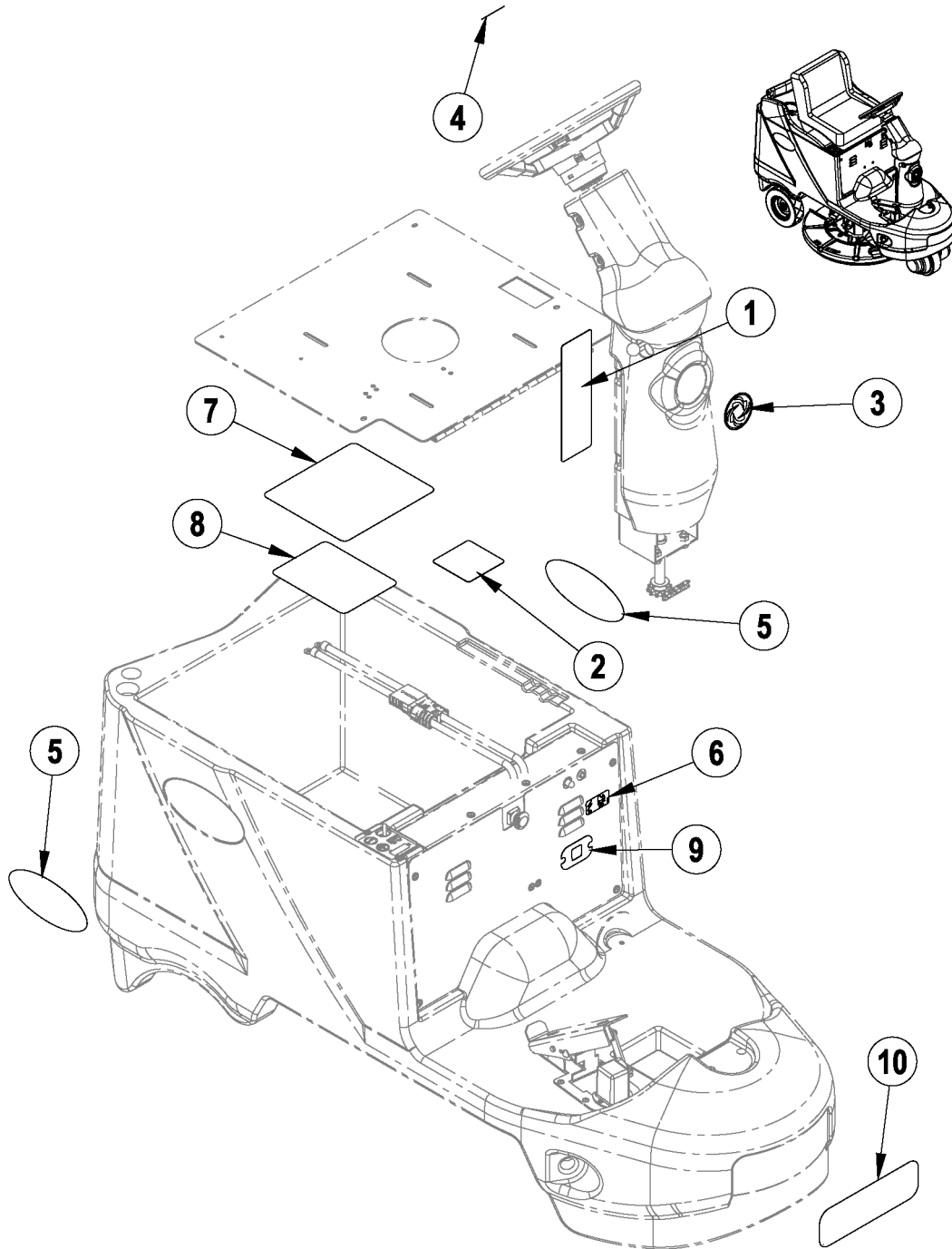


| Item | Ref. No. | Qty | Description                          |
|------|----------|-----|--------------------------------------|
| 1    | 56001939 | 4   | Wsh, Flt SAE 5/16                    |
| 2    | 56002043 | 2   | Scr, Pan Phil 10-24 X .38            |
| 3    | 56002066 | 6   | Scr, Pan Phil 1/4-20 X .62           |
| 4    | 56002098 | 17  | Wsh, Flt SAE 1/4                     |
| 5    | 56002145 | 7   | Scr, Pan Phil 1/4-20 X .50           |
| 6    | 56002171 | 1   | Scr, Pan Phil 10-24 X 2.00           |
| 7    | 56002667 | 4   | Scr, Hex 5/16-18 X .75               |
| 8    | 56002733 | 1   | Scr, Pan Phil 10-24 X .88            |
| 9    | 56002768 | 1   | Nut, Hex Nyl Loc 10-24               |
| 10   | 56003119 | 5   | Scr, Pan Phil SS 1/4-20 X .50        |
| 11   | 56003179 | 4   | Scr, Hex Thd To Hd M8-1.25 X 20mm    |
| 12   | 56003268 | 3   | Ring, Ret Ext Type E Reinf. 0.25 Dia |
| 13   | 56003358 | 1   | Scr, Hex M6-1 X 25mm                 |
| 14   | 56003403 | 3   | Nut, Hex Nyl Loc M6-1                |
| 15   | 56003428 | 2   | Scr, Hex M6-1 X 75mm                 |
| 16   | 56009030 | 2   | Scr, Pan Phil Thd Form 10-24 X .38   |
| 17   | 56009060 | 3   | Wsh, Flt SS .260 X 1.000 X .074      |
| 18   | 56009122 | 4   | Wsh, Flt .344 X .938 X .125          |
| 19   | 56212241 | 2   | Clip, Panel                          |
| 20   | 56249946 | 2   | Insert, Brass 10-24                  |
| 21   | 56261421 | 1   | Plug, Hex Pipe                       |
| 22   | 56314035 | 1   | Seat                                 |
| 23   | 56314037 | 1   | Spring, Torsion                      |
| 24   | 56314038 | 1   | Bracket, Foot Pedal                  |
| 25   | 56314039 | 1   | Foot Pedal                           |
| 26   | 56314176 | 1   | Mat, Pedal                           |
| 27   | 56314561 | 1   | Bushing                              |
| 28   | 56314608 | 1   | Clamp, Cable                         |
| 29   | 56323277 | 2   | Clamp, P                             |
| 30   | 56324505 | 1   | Bearing, Flange                      |
| 31   | 56368989 | 1   | Bushing                              |
| 32   | 56409378 | 1   | Spacer, Nylon                        |
| 33   | 56409471 | 1   | Lever, Throttle                      |
| 34   | 56409610 | 1   | Link Weldment                        |
| 35   | 56412094 | 1   | Housing, Potentiometer               |
| 36   | 56412331 | 1   | Wire Assy.                           |
| 37   | 56422029 | 1   | Cover, Electrical Compartment        |
| 38   | 56422056 | 1   | Body, Main                           |
| 39   | 56422067 | 1   | Cover, Battery                       |
| 40   | 56422073 | 1   | Weldment, Seat Panel                 |
| 41   | 56422080 | 1   | Prop Rod                             |
| 42   | 56422082 | 1   | Cover, Spindle                       |
| 43   | 56454740 | 1   | Potentiometer, 5K (R1)               |
| 44   | 56478246 | 3   | Tie, Cable                           |
| 45   | 56478523 | 6   | Tie, Cable                           |
| 46   | 56756318 | 2   | Bearing, Flange                      |



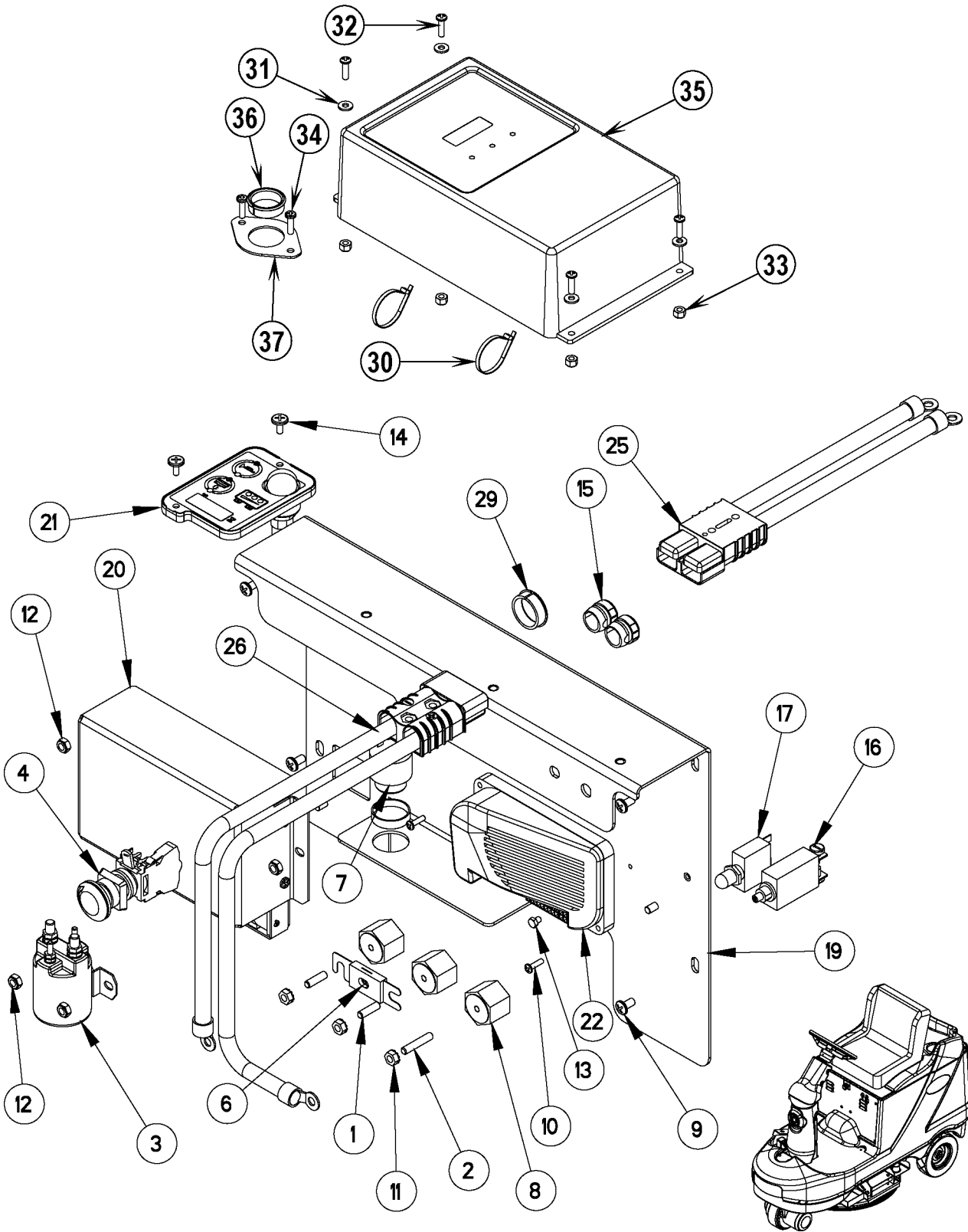
| Item | Ref. No. | Qty | Description                        |
|------|----------|-----|------------------------------------|
| 1    | 56367206 | 2   | Bushing                            |
| 2    | 56412209 | 1   | Bracket, Tie Down                  |
| 3    | 56001879 | 2   | Wsh, Flt SAE 1/2                   |
| 4    | 56002022 | 1   | Wsh, Flt SAE 5/8                   |
| 5    | 56002093 | 1   | Scr, Hex 1/4-20 X 1.00             |
| 6    | 56002131 | 1   | Scr, Soc Hd 5/16-18 X 1.25         |
| 7    | 56002826 | 1   | Nut, Hex Nyl Loc-Thin 5/16-18      |
| 8    | 56002840 | 1   | Nut, Hex Nyl Loc-Thin 1/4-20       |
| 9    | 56003040 | 4   | Scr,Hex Hd Loc 3/8-16x.62          |
| 10   | 56003220 | 1   | Nut, Hex Nyl Loc-Thin 1-14         |
| 11   | 56003394 | 4   | Scr, Flt Soc 5/16-18 X .62         |
| 12   | 56003415 | 2   | Scr, Hex M12-1.75 X 35mm           |
| 13   | 56003442 | 2   | Scr, Hex Loc M10-1.5 X 20mm        |
| 14   | 56003738 | 4   | Scr, Flt Soc M10-1.50 X 25mm       |
| 15   | 56009030 | 1   | Scr, Pan Phil Thd Form 10-24 X .38 |
| 16   | 56009099 | 1   | Nut, Hex Jam 5/8-18                |
| 17   | 56009122 | 1   | Wsh, Flt .344 X .938 X .125        |
| 18   | 56158143 | 1   | Bearing Cup                        |
| 19   | 56158151 | 1   | Bearing Cone                       |
| 20   | 56171081 | 1   | Seal, Shaft                        |
| 21   | 56314032 | 1   | Block, Bearing                     |
| 22   | 56314116 | 1   | Plate, Steering                    |
| 23   | 56316540 | 2   | Assembly, Wheel And Bearing        |
| *    | 56412243 | A/R | Rear Wheel Bearing                 |
| 24   | 56320595 | 1   | Bushing .32x.50x.28                |
| 25   | 56367117 | 2   | Wsh, Flt .406 X 1.5 X .1875        |
| 26   | 56378380 | 1   | Bearing Ball                       |
| 27   | 56420160 | 2   | Bearing, Flange                    |
| 28   | 56422020 | 1   | Chassis Weldment                   |
| 29   | 56422047 | 1   | Motor / Drive Wheel (M1)           |
| *    | 56422150 | 1   | Wheel Drive Tire Kit               |
| *    | 56422151 | 1   | Replacement Motor                  |
| *    | 56422152 | 1   | Brush & Spring Kit                 |
| 30   | 56422060 | 1   | Spindle Weldment                   |
| 31   | 56422078 | 1   | Latch Assembly                     |
| 32   | 56486112 | 1   | Clamp, P                           |

\* = Not Shown





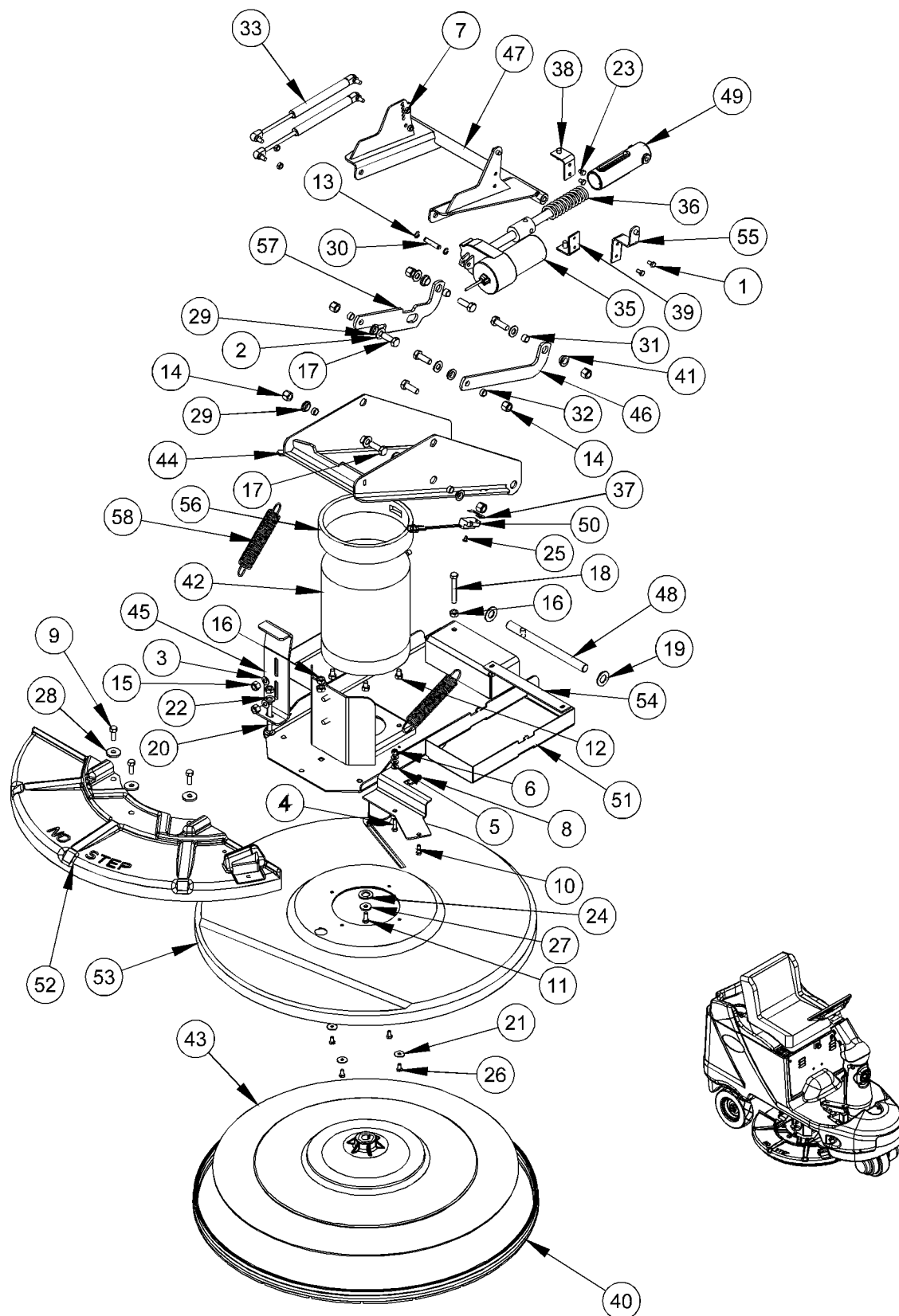
| <b>Item</b> | <b>Ref. No.</b> | <b>Qty</b> | <b>Description</b>                    |
|-------------|-----------------|------------|---------------------------------------|
| 1           | 56014601        | 1          | Decal, Caution                        |
| 2           | 56015242        | 1          | Decal, Battery Wiring                 |
| 3           | 56015276        | 1          | Decal, Logo ( <b>Advance</b> )        |
|             | 56016348        | 1          | Decal, Logo ( <b>Nilfisk</b> )        |
| 4           | 56015281        | 1          | Decal, Logo 2 Inch ( <b>Advance</b> ) |
|             | 56016421        | 1          | Decal, Logo 2 Inch ( <b>Nilfisk</b> ) |
| 5           | 56015289        | 2          | Decal, Advolution ( <b>Advance</b> )  |
|             | 56015288        | 2          | Decal, UHR 70-1700 ( <b>Nilfisk</b> ) |
| 6           | 56015296        | 1          | Decal, Circuit Breaker                |
| 7           | 56015612        | 1          | Decal, Ladder Diagram                 |
| 8           | 56015613        | 1          | Decal, Wiring Diagram                 |
| 9           | 56016146        | 1          | Decal, Emergency Disconnect           |
| 10          | 56016730        | 1          | Decal, Advance                        |
|             | 56016731        | 1          | Decal, Nilfisk                        |



| Item | Ref. No.   | Qty | Description   |
|------|------------|-----|---|
| 1    | 56009020   | 2   | Stud  |
| 2    | 56009203   | 1   | Stud, 1/4-20  |
| 3    | 56395450   | 1   | Contactor 36v ( <b>K3 / Pad Motor</b> )                 |
| 4    | 56407130   | 1   | Disconnect, Emergency ( <b>S10</b> )                    |
| 5    | 56409485   | 5   | Cable, Battery ( <b>Not Shown</b> )                     |
| 6    | 56412089   | 1   | Fuse, 150 Amp ( <b>F1</b> )                             |
| 7    | 56412177   | 1   | Horn/Backup Alarm ( <b>H1</b> )                         |
| 8    | 56469858   | 3   | Electrical Mount  |
| 9    | 56002145   | 4   | Scr, Pan Phil 1/4-20 X .50                              |
| 10   | 56002146   | 2   | Scr, Pan Phil 8-32 X .62                                |
| 11   | 56002561   | 3   | Nut, Hex W/ Shprf 1/4-20                                |
| 12   | 56002840   | 4   | Nut, Hex Nyl Loc-Thin 1/4-20                            |
| 13   | 56009063   | 1   | Scr, Hex Thd Form 10-24 X .25                           |
| 14   | 56009206   | 2   | Scr, Truss Phil-Blk 10-24 x .50                         |
| 15   | 56160512   | 2   | Strain Relief .600                                      |
| 16   | 56303299   | 1   | Circuit Breaker, 40 Amp ( <b>CB2 / Wheel Drive</b> )    |
| 17   | 56315255   | 1   | Circuit Breaker, 5 Amp ( <b>CB1 / Control Circuit</b> ) |
| 18   | 56372673   | 12  | Boot, Battery Post ( <b>Not Shown</b> )                 |
| 19   | 56422070   | 1   | Panel, Electronic                                       |
| 20   | 56422100   | 1   | Control Box Assembly                                    |
| 21   | 56422107   | 1   | I/O Panel Assembly                                      |
| *    | 1450372000 | 1   | Key Switch ( <b>S1</b> )                                |
| *    | 1460806000 | A/R | Replacement Key (set of 2)                              |
| 22   | 56422114   | 1   | Controller, Speed ( <b>A1</b> )                         |
| 23   | 56422115   | 1   | Harness, Main ( <b>Not Shown</b> )                      |
| 24   | 56422116   | 1   | Harness, Traction ( <b>Not Shown</b> )                  |
| 25   | 56422117   | 1   | Connector Assembly                                      |
| 26   | 56422118   | 1   | Connector Assembly                                      |
| 27   | 56422129   | 1   | Cable Asm, Red 4-1 ( <b>Not Shown</b> )                 |
| 28   | 56422130   | 1   | Cable Asm, Red 4-2 ( <b>Not Shown</b> )                 |
| 29   | 56422159   | 1   | Bushing, Open/Closed 1.25                               |
| 30   | 56478246   | 2   | Cable Tie <b>NOTE #1</b>                                |
| 31   | 56001954   | 4   | Wsh, Flt SAE #10 <b>NOTE #1</b>                         |
| 32   | 56002192   | 4   | Scr, Pan Phil 10-24 X .75 <b>NOTE #1</b>                |
| 33   | 56002768   | 4   | Nut, Hex Nyl Loc 10-24 <b>NOTE #1</b>                   |
| 34   | 56009005   | 2   | Scr, Pan Phil SS Type B 10-16 x .75 <b>NOTE #1</b>      |
| 35   | 56422145   | 1   | Charger, Battery Onboard <b>NOTE #1</b>                 |
| 36   | 56422159   | 1   | Bushing, Open/Closed 1.25 <b>NOTE #1</b>                |
| 37   | 56422169   | 1   | Cord Holder <b>NOTE #1</b>                              |

\* = Not Shown

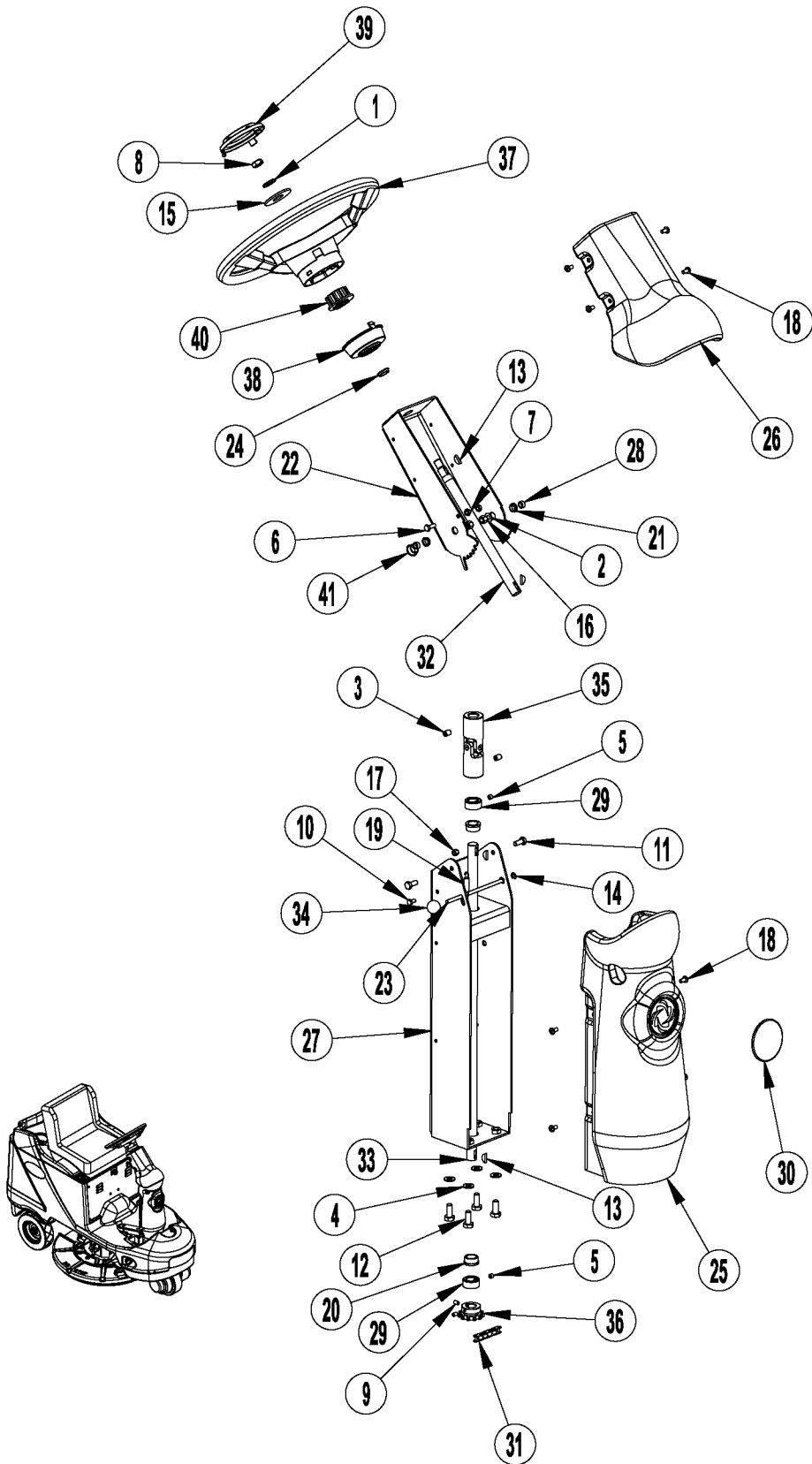
**NOTE #1:** Standard on 56422002 only.



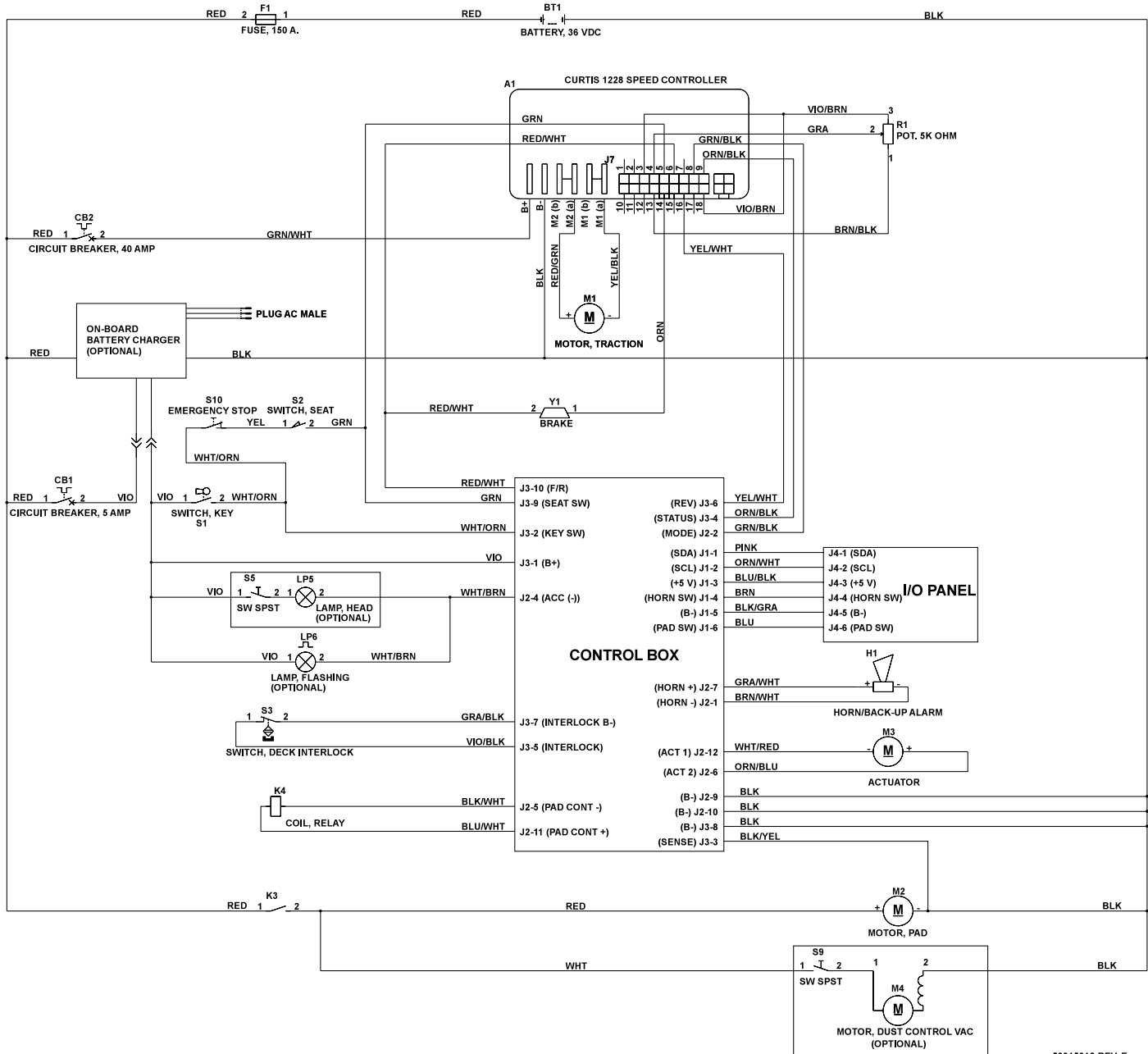
| Item | Ref. No. | Qty | Description                                    | Item | Ref. No. | Qty | Description  |
|------|----------|-----|--|------|----------|-----|--|
| 1    | 56001854 | 2   | Scr, Hex 1/4-20 X .50                          | 41   | 56420160 | 2   | Bearing, Flange  |
| 2    | 56001879 | 6   | Wsh, Flt SAE 1/2                               | 42   | 56422030 | 1   | Motor (M2)   |
| 3    | 56002063 | 2   | Wsh, Flt SAE 3/8                               | *    | 56422153 | 1   | Brush & Spring Kit   |
| 4    | 56002093 | 1   | Scr, Hex 1/4-20 X 1.00                         | 43   | 56422035 | 1   | Pad Driver Assy  |
| 5    | 56002098 | 3   | Wsh, Flt Sae 1/4                               | *    | 56422095 | 1   | Pad Retainer   |
| 6    | 56002708 | 1   | Nut, Hex Nyl Loc 1/4-20                        | 44   | 56422036 | 1   | Linkage Weldment   |
| 7    | 56002826 | 4   | Nut, Hex Nyl Loc-Thin 5/16-18                  | 45   | 56422039 | 1   | Bracket, Adjustable  |
| 8    | 56002840 | 1   | Nut, Hex Nyl Loc-Thin 1/4-20                   | 46   | 56422041 | 1   | Bar, Linkage   |
| 9    | 56002947 | 3   | Scr, Hex Hd Loc 3/8-16x1.00                    | 47   | 56422042 | 1   | Linkage, Arm Weldment  |
| 10   | 56002948 | 1   | Scr, Hex Hd Loc 1/4-20x.75                     | 48   | 56422046 | 1   | Shaft, Pivot   |
| 11   | 56002956 | 1   | Scr, Hex Hd Loc 5/16-18x.75                    | 49   | 56422084 | 1   | Spring Housing, Actuator   |
| 12   | 56003023 | 4   | Scr, Hex Hd Loc 3/8-16x.50                     | 50   | 56422126 | 1   | Sensor, Proximity (S3)   |
| 13   | 56003262 | 2   | Ring, Ret Ext Type E 0.38 Dia                  | 51   | 56422132 | 1   | Weldment, Shroud   |
| 14   | 56003312 | 6   | Nut, Hex Nyl Loc M12-1.75                      | 52   | 56422137 | 1   | Pad Cover  |
| 15   | 56003406 | 2   | Nut, Hex Nyl Loc M10-1.5                       | 53   | 56422141 | 1   | Shroud, Dust Assy  |
| 16   | 56003409 | 4   | Nut, Hex M10-1.5                               | 54   | 56422144 | 1   | Strap, Bag   |
| 17   | 56003415 | 6   | Scr, Hex M12-1.75 X 35mm                       | 55   | 56422147 | 1   | Weldment, Mount  |
| 18   | 56003422 | 1   | Scr, Hex Thd To Hd M10-1.5 X 70mm              | 56   | 56422154 | 1   | Filter, Air  |
| 19   | 56003719 | 2   | Wsh, Flt Nylon .760 X 1.420 X .100             | 57   | 56422157 | 1   | Bar, Linkage   |
| 20   | 56003731 | 1   | Scr, Carriage Thd To Hd M10-1-5 X 80 Mm Cl 8.8 | 58   | 56422161 | 2   | Spring, Extension  |
| 21   | 56009002 | 4   | Wsh, Flt .266 X .906 X .060                    | **   | 56422149 | A/R | Kit, Linkage Bushings & Hardware<br>(#2, 14, 16-19, 29, 31, 32, 41 & 48)<br>(#1, 3, 12 & 27 on Chassis System) |
| 22   | 56009003 | 1   | Wsh, Flt .516 X .938 X .075                    |      |          |     |  |
| 23   | 56009019 | 2   | Scr, Hex Thd Form 1/4-20 X .38                 |      |          |     |  |
| 24   | 56009022 | 1   | Wsh, Flt .754 X 1.250 X .120                   |      |          |     |  |
| 25   | 56009030 | 1   | Scr, Pan Phil Thd Form 10-24 X .38             |      |          |     |  |
| 26   | 56009033 | 4   | Scr, Hex Thd Form 1/4-20 X .50                 |      |          |     |  |
| 27   | 56009057 | 1   | Wsh, Flt Harden .344x1.000x.120/.135           |      |          |     |  |
| 28   | 56009195 | 3   | Wsh, Flt .406 X 1.25 X .164                    |      |          |     |  |
| 29   | 56100084 | 4   | Bearing, Flange                                |      |          |     |  |
| 30   | 56104760 | 1   | Pin  |      |          |     |  |
| 31   | 56360627 | 2   | Bushing  |      |          |     |  |
| 32   | 56365030 | 4   | Bushing .50x.62x.27                            |      |          |     |  |
| 33   | 56385238 | 2   | Gas Cylinder                                   |      |          |     |  |
| 34   | 56391185 | 1   | Bag, Disposable, 6 Pack                        |      |          |     |  |
| 35   | 56393303 | 1   | Actuator, Motor (M3)                           |      |          |     |  |
| *    | 56393790 | 2   | Limit Switch                                   |      |          |     |  |
| *    | 56470433 | 1   | Brush Kit                                      |      |          |     |  |
| 36   | 56407199 | 1   | Compression Spring                             |      |          |     |  |
| 37   | 56409769 | 1   | Clip, Weatherpack Mount                        |      |          |     |  |
| 38   | 56420019 | 1   | Nut Retainer                                   |      |          |     |  |
| 39   | 56420020 | 1   | Nut Retainer                                   |      |          |     |  |
| 40   | 56420024 | 1   | Skirt Assembly                                 |      |          |     |  |

\* = Not Shown

\*\* = Optional, Not Included



| Item | Ref. No. | Qty | Description                          |
|------|----------|-----|--------------------------------------|
| 1    | 56001879 | 1   | Wsh, Flt SAE 1/2                     |
| 2    | 56001939 | 2   | Wsh, Flt SAE 5/16                    |
| 3    | 56001958 | 2   | Scr, Soc Set Loc 3/8-16 X .50        |
| 4    | 56002063 | 4   | Wsh, Flt SAE 3/8                     |
| 5    | 56002086 | 2   | Scr, Soc Set Loc 5/16-18 X .25       |
| 6    | 56002155 | 1   | Scr, Hex 1/4-20 X .75                |
| 7    | 56002840 | 2   | Nut, Hex Nyl Loc-Thin 1/4-20         |
| 8    | 56002843 | 1   | Nut, Hex Nyl Loc-Thin 1/2-13         |
| 9    | 56002930 | 2   | Scr, Soc Set Loc 1/4-20 X .38        |
| 10   | 56003155 | 1   | Scr, Hex M6-1 X 12mm                 |
| 11   | 56003179 | 2   | Scr, Hex Thd To Hd M8-1.25 X 20mm    |
| 12   | 56003186 | 4   | Scr, Hex Thd To Hd M10-1.5 X 25mm    |
| 13   | 56003228 | 4   | Key, Wdf .75 X .19                   |
| 14   | 56003268 | 2   | Ring, Ret Ext Type E Reinf. 0.25 Dia |
| 15   | 56003342 | 1   | Washer Flt .88x2.25x.13              |
| 16   | 56003389 | 2   | Nut, Hex Nyl Loc M8-1.25             |
| 17   | 56003403 | 1   | Nut, Hex Nyl Loc M6-1                |
| 18   | 56009062 | 8   | Scr, Pan Phil Thd Form 1/4-20 X .50  |
| 19   | 56245008 | 1   | Spring, Extension                    |
| 20   | 56250414 | 2   | Bearing, Flange                      |
| 21   | 56302164 | 2   | Bearing, Flange                      |
| 22   | 56314093 | 1   | Column, Steering                     |
| 23   | 56314094 | 1   | Rod, Steering Lock                   |
| 24   | 56314148 | 1   | Bearing, Nyliner                     |
| 25   | 56314295 | 1   | Shroud, Lower Column                 |
| 26   | 56314296 | 1   | Shroud, Upper Column                 |
| 27   | 56314877 | 1   | Lower Column Weldment                |
| 28   | 56320595 | 2   | Bushing .32x.50x.28                  |
| 29   | 56367095 | 2   | Collar, Shaft                        |
| 30   | 56412095 | 1   | Plaque, Decal Logo                   |
| 31   | 56412198 | 1   | Chain, Roller                        |
| 32   | 56420059 | 1   | Shaft, Upper Steering                |
| 33   | 56422048 | 1   | Shaft, Lower Steering                |
| 34   | 56440817 | 1   | Knob                                 |
| 35   | 56454081 | 1   | Universal Joint                      |
| 36   | 56471148 | 1   | Sprocket                             |
| 37   | 56497306 | 1   | Steering Wheel                       |
| 38   | 56497308 | 1   | Cup                                  |
| 39   | 56497543 | 1   | Cap                                  |
| 40   | 56497560 | 1   | Wheel Adapter                        |
| 41   | 56900041 | 1   | Plug, Cap                            |



56015612 REV. E



| Item | Ref. No.   | Qty | Description                                     |
|------|------------|-----|---|
| A1   | 56422114   | 1   | Speed Controller                                |
|      | 56422100   | 1   | Control Box                                     |
|      | 56422107   | 1   | I/O Panel                                       |
| BT   |            | A/R | Battery, 36V                                    |
| CB1  | 56315255   | 1   | Circuit Breaker, 5 Amp <b>(Control)</b>         |
| CB2  | 56303299   | 1   | Circuit Breaker, 40 Amp <b>(Traction Drive)</b> |
| F1   | 56412089   | 1   | Fuse, 150 Amp                                   |
| H1   | 56412177   | 1   | Horn / Back-Up Alarm                            |
| K3   | 56395450   | 1   | Contactor 36V <b>(Pad Motor)</b>                |
| LP5  | 56409239   | 1   | Headlight <b>(Optional)</b>                     |
| LP6  | 56307166   | 1   | Beacon, Warning <b>(Optional)</b>               |
| M1   | 56422047   | 1   | Motor / Drive Wheel                             |
| *    | 56422150   | 1   | Wheel Drive Tire Kit                            |
| *    | 56422151   | 1   | Replacement Motor                               |
| *    | 56422152   | 1   | Brush & Spring Kit                              |
| M2   | 56420030   | 1   | Motor <b>(Pad Drive)</b>                        |
| *    | 56422153   | 1   | Brush & Spring Kit                              |
| M3   | 56393303   | 1   | Actuator, Motor                                 |
| *    | 56393790   | 2   | Limit Switch                                    |
| *    | 56470433   | 1   | Brush Kit                                       |
| M4   | 56422097   | 1   | Dust Control Vac Motor <b>(Optional)</b>        |
| R1   | 56454740   | 1   | Potentiometer, 5K                               |
| S1   | 1450372000 | 1   | Switch, Key <b>(Main)</b>                       |
| *    | 1460806000 | A/R | Replacement Key (set of 2)                      |
| S2   | 56409613   | 1   | Switch <b>(Seat)</b>                            |
| S3   | 56422126   | 1   | Sensor, Proximity                               |
| S5   | NA         | 1   | Part of LP5                                     |
| S9   | NA         | 1   | Part of M4                                      |
| S10  | 56407130   | 1   | Disconnect, Emergency                           |
| Y1   | NA         | 1   | Part of M1                                      |
| *    | 56422115   | 1   | Harness, Main                                   |
| *    | 56422116   | 1   | Harness, Traction                               |
| *    | 56409485   | 5   | Cable, Battery                                  |

\* = Not Shown

D

5.9.1

16

Advolution™ 2710 / UHR 70-1700

| Item | Ref. No.   | Qty | Description                                       |
|------|------------|-----|---|
|      |            |     | <b>Optional Kits</b>                              |
| **   | 56314313   | A/R | Kit, Headlight                                    |
| **   | 56397453   | A/R | Kit, Battery Fill Indicator                       |
| **   | 56314301   | A/R | Kit, Seat Armrests                                |
| **   | 56314981   | A/R | Kit, Battery Watering                             |
| **   | 56422098   | A/R | Kit, Beacon                                       |
| **   | 56422148   | A/R | Kit, Trash Can Holder                             |
| **   | 56422156   | A/R | Kit, Onboard Charger                              |
| **   | 56422083   | A/R | Kit, Active Dust Control                          |
| **   | 1406554010 | A/R | Dust Bag, .58 Gallon, 5 pack (Standard)           |
| **   | 1406794010 | A/R | Round Motor Protection Filter, STD. with Non-Hepa |
| **   | 56649978   | A/R | Exhaust Filter, 3 pack (Standard)                 |
| **   | 1407160010 | A/R | HEPA Filter, Round (Optional)                     |
| **   | 1406554050 | A/R | High Filtration Dust bag, 10 pack (Optional)      |
| **   | 1406908000 | A/R | Cloth Dust Bag, Reusable, Shake Out (Optional)    |

**NOTE:** Replacement parts for the kits listed above can be found on each kit's associated instruction sheet.

**Accessories**

|    |          |     |                             |
|----|----------|-----|-----------------------------|
| ** | 56409441 | A/R | Programmer, 1311 User       |
| ** | 56409823 | A/R | Programmer Cable            |
| ** | 56420163 | A/R | Pad, 27" Natural, Case of 5 |
| ** | 56420162 | A/R | Pad, 27" Topline, Case of 5 |

**Batteries**

|    |          |   |                     |
|----|----------|---|---------------------|
| ** | 56388582 | 1 | Battery 6V, 395 A/H |
|----|----------|---|---------------------|

**Optional Battery Charger**

|    |          |   |                                       |
|----|----------|---|---------------------------------------|
| ** | 56388120 | 1 | Charger, 36vdc Auto 36amp 120vac/60hz |
|----|----------|---|---------------------------------------|

\*\* = Optional, Not Included



