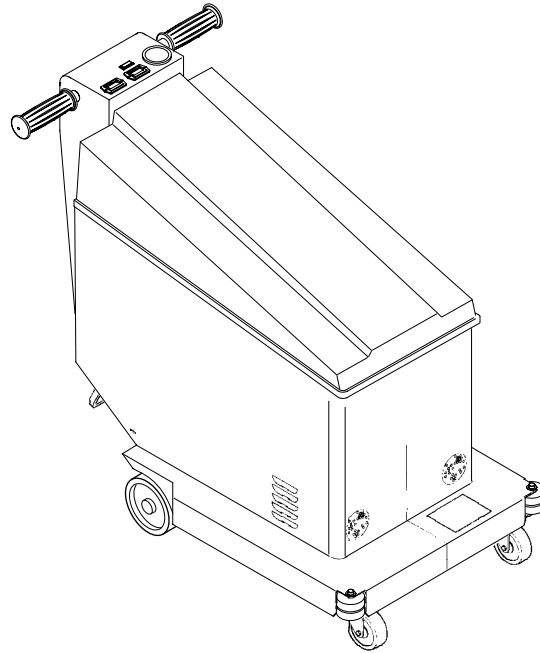


BHS 5120



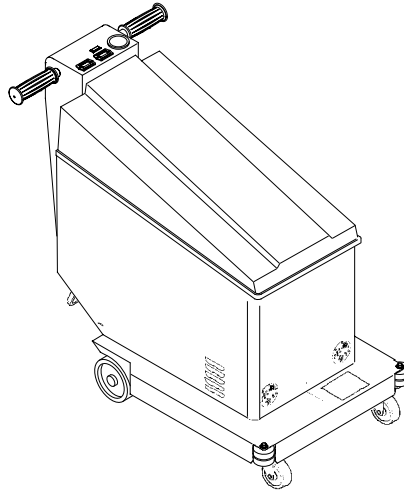
PARTS LIST

Nilfisk MODEL 56393900



Nilfisk
Advance
setting standards

1/98 revised 2/03 FORM NO. 56042333
BOOK D SECTION 5.6.1

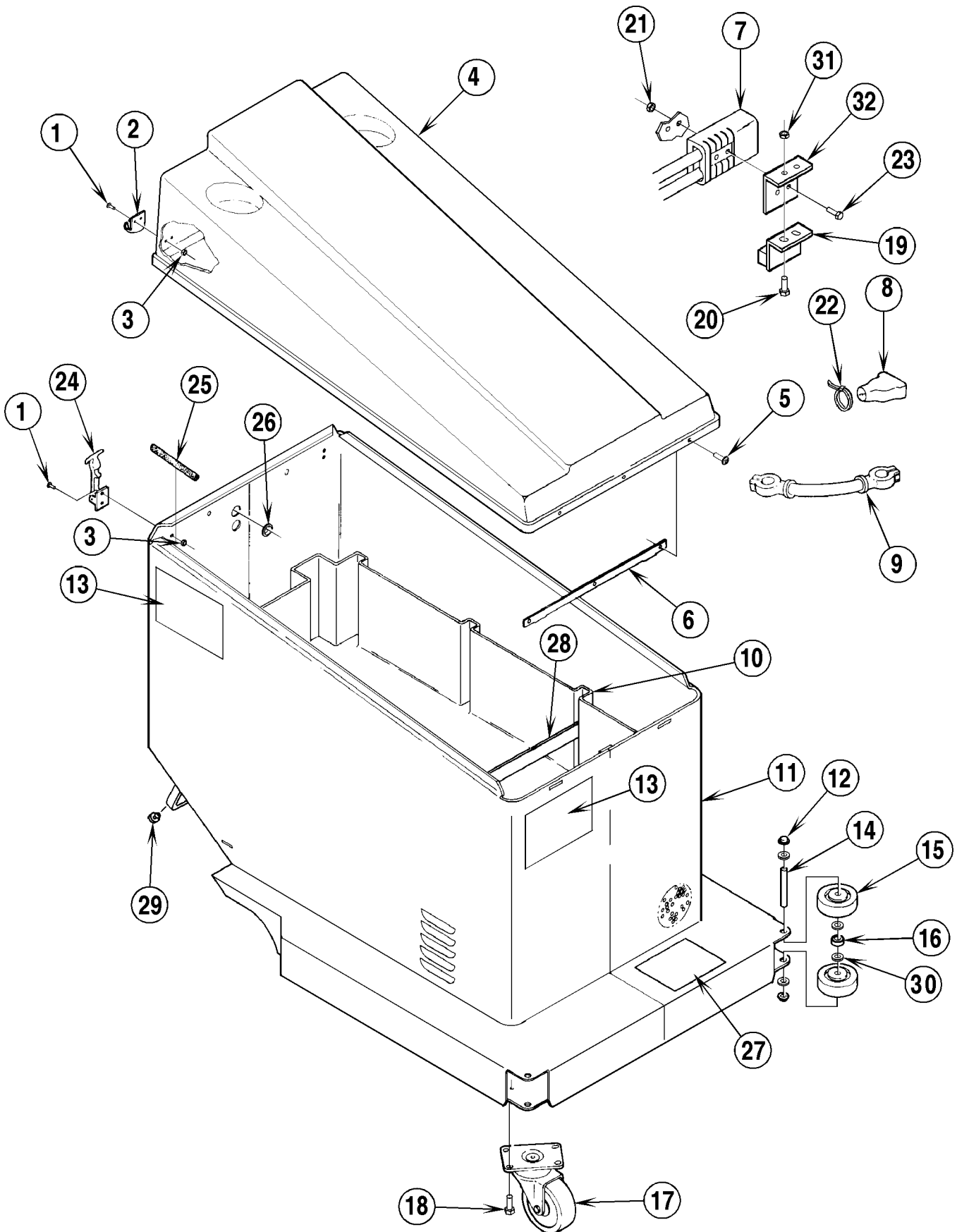


DESCRIPTION	PLAN
CHASSIS AND SHROUD	D-5.6.1-5
CONTROL HANDLE	D-5.6.1-7
PAD DRIVE ASSEMBLY	D-5.6.1-9
WHEEL DRIVE	D-5.6.1-11
WIRING DIAGRAM	D-5.6.1-13

WHEN ORDERING PARTS

- * Use the 8 digit numbers from the "Ref. No." columns in this parts list.
- * Specify the model and serial number of the machine.
- * Use the space below to record the model and serial number for future reference.

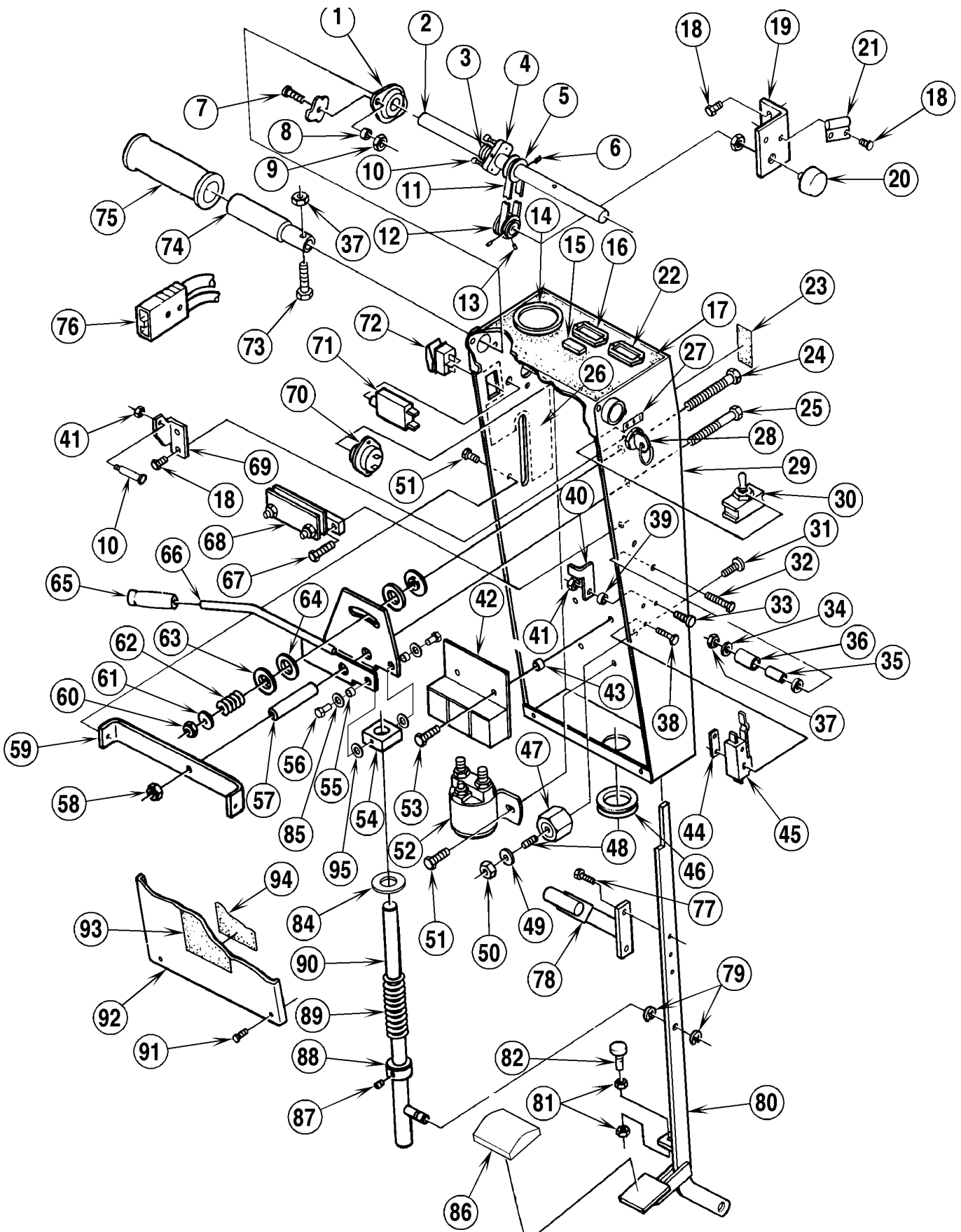
Model _____ Serial No. _____



98-1	CHASSIS AND SHROUD	BOOK D		
01-9	BHS 5120	D	5.6.1	5

Item	Ref. No.	Qty	Description
	56393561	1	Shroud Assembly (#1-6)
1	56001904	8	Scr, Hex 6-32 x .38
2	56393559	2	Keeper
3	56002830	8	Nut, Hex Nyl Loc 6-32
4	56393503	1	Shroud
5	56002519	3	Scr, Hex 10-24 x .38
6	56393539	1	Bracket
7	56393741	1	Battery Charger Connector W/Wires
8	56372673	12	Battery Boot
9	56363936	2	Battery Cable TSB 730
*	56363928	3	Battery Cable TSB 730
10	56393574	1	Battery Tray
11	56393730	1	Chassis
12	56262534	4	Cap
13	56016418	3	Decal, Nilfisk BHS 5120
14	56393543	2	Pin
15	56363855	4	Wheel
16	56328022	2	Bushing
17	56206725	2	Caster
18	56002513	10	Scr, Hex 1/4-20 x .50
19	56462362	1	Charger Interlock Switch
20	56002503	2	Scr, Hex 10-24 x .50
21	56002708	2	Nut, Hex Nyl Loc 1/4-20
22	56478246	12	Tie, Cable
23	56001833	2	Scr, Hex 1/4-20 x 1.50
24	56393560	2	Latch
25	56393549	2	Trim
26	56157376	2	Grommet
27	56015120	1	Decal, Pad Replacement
28	56393578	1	Battery Retaining Strap
29	56393581	2	Bumper
30	56163767	8	Spring Washer
31	56002768	2	Nut, Hex Nyl Loc 10-24
32	56393582	1	Switch Bracket
*	56386973	1	Battery Cable TSB 730
*	56324284	1	Battery Cable TSB 730

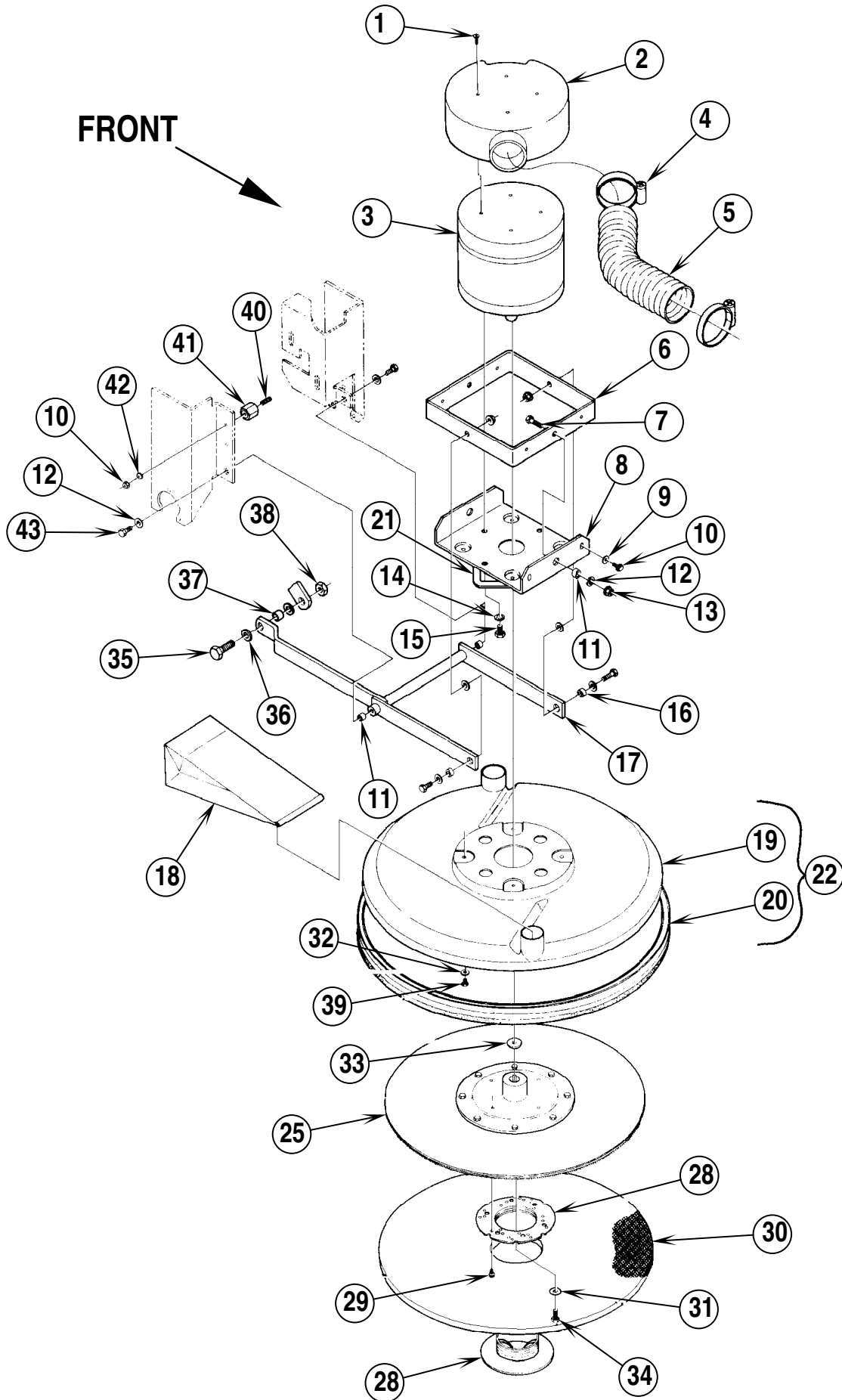
* = Not Shown



98-1	CONTROL HANDLE	BOOK D		
03-2	BHS 5120	D	5.6.1	7

Item	Ref. No.	Qty	Description	Item	Ref. No.	Qty	Description
	56393902	1	Handle Assembly (#1-76)	56	56002510	2	Scr, Hex Thd Form 10-24 x .62
1	56393264	2	Handle Bearing	57	56393520	1	Pivot
2	56324131	1	Handle Bar	58	56002701	1	Nut, Hex Nyl Loc 5/16-18
3	56324033	1	Spring	59	56393534	1	Support
4	56324133	1	Handle Spring Lever	60	56002769	1	Nut, Hex Nyl Loc 3/8-16
5	56392859	1	Pulley	61	56002063	1	Wsh, Flt SAE 3/8
6	56001935	4	Scr, Soc Set Loc 10-24 x .19	62	56171177	1	Spring
7	56002793	4	Scr, Hex 5/16-18 x .75	63	56440760	2	Washer
8	56320595	4	Bushing	64	56367184	2	Thrust Bearing
9	56002826	4	Nut, Hex Nyl Loc 5/16-18	65	56471193	1	Grip
10	56900481	3	Shoulder Bolt	66	56393528	1	Lever
11	56324022	1	Belt	67	56002520	2	Scr, Hex Thd Form 10-24 x .50
12	56324513	1	Pulley	68	56386793	1	Shunt
13	56002279	2	Scr, Soc Set Loc 8-32 x .25	69	56393716	1	Stop Bracket
14	56389527	1	Ammeter	70	56393722	1	Circuit Breaker, 70 Amp
15	56389433	1	Red Indicator Light, 24V (before February 1998)	*	56002192	2	Scr, Hex 10-24 x .75
	56393863	1	Red Indicator Light, 36V (after January 1998)	71	56454538	1	Circuit Breaker, 15 Amp
16	56393717	1	Battery Fuel Gauge	72	56393312	1	Switch, Rocker
17	56015562	1	Decal, Control Panel	73	56001878	2	Scr, Hex 1/4-20 x 1.25
18	56002519	7	Scr, Hex Thd Form 10-24 x .38	74	56324120	2	Handle Tube
19	56324119	1	Bracket	75	56388545	2	Grip
20	56454740	1	Potentiometer	76	56393741	1	Charger Connector W/Wires
21	56393569	1	Switch	77	56002513	2	Scr, Hex Thd Form 1/4-20 x .50
22	56393718	1	Hour Meter	78	56393725	1	Handle
23	56025264	1	Decal, Cable Routing	79	56321427	2	Retaining Ring
24	56001873	1	Scr, Hex 3/8-18 x 2.50	80	56388184	1	Pedal Lever
25	56002606	1	Scr, Hex 5/16-18 x 3.25	81	56002840	2	Nut, Hex Nyl Loc 1/4-20
26	56015564	1	Decal, Side Panel	82	56386314	1	Leg Leveler 1/4-20
27	56015422	1	Decal, Power	84	56200115	1	Washer
28	56393325	1	Key Lock Bracket	85	56001954	2	Wsh, Flt SAE #10
	56393415	1	Replacement Key	86	56365002	1	Pedal Pad
29	56393726	1	Handle Weldment		56393583	1	Pedal Assembly (#80-82, 86)
30	56301636	1	Main Switch	87	56002021	1	Scr, Soc Set Loc 5/16-18 x .38
31	56001861	2	Scr, Hex 1/4-20 x .38	88	56367354	1	Collar
32	56001833	1	Scr, Hex 1/4-20 x 1.50	89	56372129	1	Spring
33	56002503	1	Scr, Hex 10-24 x .50	90	56393522	1	Rod
34	56002098	2	Wsh, Flt SAE 1/4	91	56002519	2	Scr, Hex Thd Form 10-24 x .38
35	56207489	1	Bushing	92	56393723	1	Panel
36	56244859	1	Bushing	93	56015119	1	Decal, Caution
37	56002840	3	Nut, Hex Nyl Loc 1/4-20	94	56016069	1	Decal, Wiring
38	56003009	2	Scr, Hex 6-32 x 1.00	95	56009024	2	Wsh, Bowed .375 x .84 x .060
39	56375334	1	Bushing				
*	56002011	1	Wsh, Int SHPRF #10	*	56016007	1	Decal, Wear Items
40	56393530	1	Lever	*	56015584	1	Decal, Maintenance
41	56002768	4	Nut, Hex Nyl Loc 10-24	*	56377525	1	Diode
*	56001954	1	Wsh, Flt SAE #10	*	56389453	1	Resistor Assembly, 330Ohm, .5W
42	56393721	1	Speed Control	*	56478246	7	Tie, Cable
43	56377721	2	Spacer	*	56469832	1	Tie Anchor
44	56376015	1	Nut Plate				
45	56324362	1	Switch				
46	56344621	1	Grommet				
47	56469858	2	Insulated stand-Off				
48	56150274	2	Stud				
49	56001830	2	Wsh, Int SHPRF 1/4				
50	56002040	2	Nut, Hex Jam 1/4-20				
51	56002530	4	Scr, Hex 1/4-20 x .38				
52	56395450	1	Contactoer				
53	56002744	2	Scr, Hex Thd Form 10-24 x .38				
54	56393696	1	Bearing Block Assembly				
55	56200123	2	Bushing				

* = Not Shown

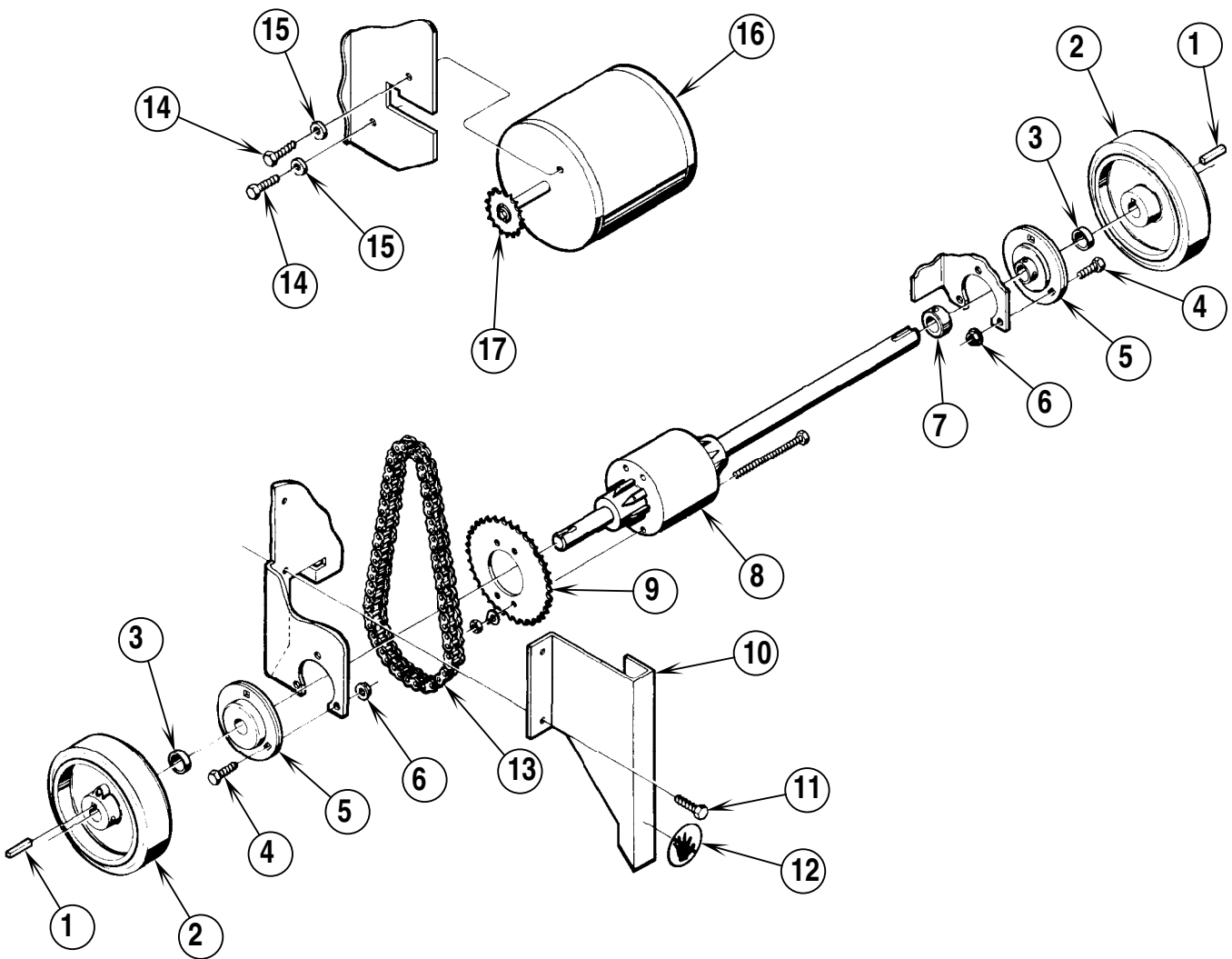


98-1	PAD DRIVE ASSEMBLY	BOOK D		
01-9	BHS 5120	D	5.6.1	9

Item	Ref. No.	Qty	Description
	56393502	1	Drive Unit Assembly (#1-17)
1	56002530	4	Scr, Hex 1/4-20 x .38
2	56393576	1	Cover
3	56389422	1	Motor
*	56389371	1	Carbon Brush Set (for 56389422)
*	56389395	1	Brush Spring Set (for 56389422)
4	56352829	4	Hose Clamp
5	56387392	2	Hose
6	56393542	1	Frame
7	56003073	4	Scr, Hex 5/16-18 x 1.00
8	56393510	1	Motor Mount
9	56002098	2	Wsh, Flt SAE 1/4
10	56002040	2	Nut, Hex Jam 1/4-20
11	56391840	4	Bushing
12	56001939	8	Wsh, Flt SAE 5/16
13	56002701	8	Nut, Hex Nyl Loc 5/16-18
14	56002206	4	Wsh, Int SHPRF 3/8
15	56002663	4	Scr, Hex 3/8-16 x .50
16	56244941	2	Bushing
17	56393551	1	Linkage
18	56391185	2	Bag (pkg of 6)
19	56393504	1	Shroud
20	56393565	1	Skirt
21	56200751	1	Gasket
22	56393566	1	Dust Shroud Assembly (#19-21)
25	56393650	1	Pad Holder (includes #28-29)
28	56393567	1	Retainer
29	56002519	4	Scr, Hex 10-24 x .38
30		1	Pad (not included)
31	56180200	1	Washer
32	56151114	4	Washer
33	56367192	1	Washer
34	56002596	1	Scr, Hex 5/16-24 x .75
35	56001895	1	Scr, Hex 1/2-13 x 1.00
36	56367214	2	Washer
37	56393373	1	Bushing
38	56002843	1	Nut, Hex Nyl Loc 1/2-13
39	56002530	4	Scr, Hex 1/4-20 x .38
40	56150274	2	Stud
41	56469858	2	Insulated Stand-Off
42	56001803	2	Wsh, Int SHPRF 1/4
43	56002956	4	Scr, Hex Loc 5/16-18 x .75

* = Not Shown

FRONT



98-1	WHEEL DRIVE	BOOK D		
01-9	BHS 5120	D	5.6.1	11

Item	Ref. No.	Qty	Description
1	56443719	2	Key
2	56393602	2	Wheel
3	56367192	2	Spacer
4	56002956	6	Scr, Hex 5/16-18 x .75
5	56393601	2	Bearing
6	56002701	6	Nut, Hex Nyl Loc 5/16-18
7	56367095	1	Collar
8	56393603	1	Differential
9	56467368	1	Sprocket
10	56393616	1	Guard
11	56002513	2	Scr, Hex 1/4-20 x .50
12	56030080	1	Decal, Hands Clear
13	56393738	1	Roller Chain
14	56003073	2	Scr, Hex 5/16-18 x 1.00
15	56152781	2	Washer
16	56467149	1	Drive Motor
*	56503006	1	Carbon Brush/Set 2
17	56465456	1	Sprocket

* = Not Shown

98-1	WIRING DIAGRAM	BOOK D		
01-12	BHS 5120	D	5.6.1	13

Item	Ref. No.	Qty	Description
A	56393721	1	Speed Control
BT			Battery
D	56377525	1	Diode
F1	56454538	1	Circuit Breaker, 15 Amp
F2	56393722	1	Circuit Breaker, 70 Amp
H	56389433	1	Red Indicator Light, 24V (before February 1998)
	56393863	1	Red Indicator Light, 36V (after January 1998)
K	56395450	1	Brush Motor Solenoid
M1	56467149	1	Wheel Drive Motor
*	56503006	1	Carbon Brush/Set 2
M2	56389422	1	Brush Motor
P1	56393717	1	Battery Fuel Gauge
P2	56389527	1	Ammeter
P3	56393718	1	Hour Meter
R1	56454740	1	Potentiometer, 5K Ohm
R2	56393734	1	Resistor, 5.6K, .25W
R3	56386793	1	Shunt
R4	56389453	1	Resistor, 330 Ohm, .5W
S1	56301636	1	Main Switch
S2	56393569	1	Tip Interlock Switch
S3	56324362	1	Brush Motor Switch
S4	56393312	1	Speed Limit Switch
S5	56462362	1	Charger Interlock Switch
X1	56393741	1	Battery Charger Connector
X2		1	Negative Terminal Stud
X3		1	Wheel Motor Disconnect
#4	56393742	1	Cable Assembly #6 AWG x 9.00
#2	56393572	1	Cable Assembly #4 AWG x 10.00
#3	56393573	1	Cable Assembly #4 AWG x 29.00
#19	56389223	1	Cable Assembly #6 AWG x 9.00
#28	56389313	1	Cable Assembly #6 AWG x 29.00
*	56393729	1	Wiring Harness (before February 1998)
	56393864	1	Wiring Harness (after January 1998)

* = Not Shown

DANMARK

Nilfisk-Advance Nordic A/S
 Myntevej 3, 8900 Randers
 ☎ 86 42 84 33 – Fax 86 41 19 55

NORGE

Nilfisk-Advance AS
 Enebakkn, 119, 0680 Oslo, Postboks 196, Manglerud,
 0612 Oslo
 ☎ 22 08 63 50 – Fax 22 08 63 63
 Distriktsrepresentanter over hele landet

SVERIGE

Nilfisk-Advance AB
 Sjöbjörnsvägen 5, 117 67 Stockholm
 ☎ 085 55 944 00 – Fax 085 55 944 30

FINLAND/ SUOMI

BERNER Ltd. Facotek Department
 Etäleranta 4B, 00130 Helsinki
 ☎ +358 9 1345 1382

AUSTRALIA

Nilfisk-Advance Pty. Ltd.
 ACN 003 762 623
 Head office: 17 Leeds Street, Rhodes, N. S. W. 2138
 ☎ (02) 9736 1244 – Fax (02) 9736 3910
 Customer Responce Centre:
 ☎ 1 800 011 013

BELGIQUE / BELGIË/ LUXEMBOURG

Nilfisk-Advance s.a./n.v.
 Doornveld/ Sphere Business Park
 Industrie Asse 3, nr 11 – bus 41
 1731 Zellik-Asse
 ☎ (02) 467.60.50 Fax (02) 463.44.16

CANADA

Nilfisk-Advance Ltd.
 396 Watline Avenue
 Mississauga, Ontario L4Z 1X
 ☎ (905) 712-3260 – Fax (905) 712-3255

DEUTSCHLAND

Nilfisk-Advance AG
 Siemensstraße 25-27
 25462 Rellingen
 ☎ (041 01) 3990 – Fax (04101) 399191
 Zentraler Kundenservice
 ☎ für die Industrie: 0180 535 67 97
 ☎ Institutionen und Gebäudereiniger: 0180 500 11 70

FRANCE

Nilfisk-Advance S.A.
 BP 246
 91944 Courtaboeuf Cedex
 ☎ (01) 69.59.87.00 Télécopie (01) 69.59.87.01

HONG KONG

Nilfisk-Advance Ltd.
 2001, 20/F HK Worsted Mills
 Industrial Building
 31-39 Wo Tong Tsui Street
 Kwai Chung, N.T.
 ☎ 2427 59 51 – Fax 2487 5828

IRELAND

Nilfisk-Advance Ltd.
 28 Sandyford Office Park
 Dublin 18
 ☎ +353 1 2943838 – Fax +353 1 2943845

JAPAN

Nilfisk-Advance Inc.
 3-4-9 Chigasaki Minami
 Tsuzuki-Ku Yokohama 224
 ☎ 045-942-7741 – Fax 045-942-6545

MALAYSIA

Nilfisk-Advance Sdn Bhd
 Lot 2, 1st. Floor
 Lorong 19/1A
 46300 Petaling Jaya
 Selangor Darul Ehsan
 ☎ 03-7568188 / 03-7568189 / 03-7568388 – Fax 03-7566828

NEDERLAND

Nilfisk-Advance B.V.
 Flevolaan 7, Postbus 341
 1380 AH Weesp
 ☎ 0294-462121 – Fax 0294-430053

NEW ZEALAND

Nilfisk-Advance Limited
 477 Great South Road, Penrose
 Auckland
 ☎ (09) 525 0092 – Fax (09) 525 6440

SCHWEIZ / SUISSE

Nilfisk-Advance AG
 Ringstrasse 19, 9533 Kirchberg/Wil
 ☎ 719 23 52 83 – Fax 719 23 84 44

SINGAPORE

Nilisk-Advance Pte. Ltd.
 22, Woodlands Industrial Park E1
 Singapore 757740
 ☎ (65) 759 9100 – Fax (65) 759 9133

TAIWAN

Nilfisk-Advance Ltd.
 1 F, No.23, Lane 132, Sec. 2
 Ta An Road, Taipei
 ☎ 700 22 68 – Fax 784 08 43

UNITED KINGDOM

Nilfisk-Advance Limited
 Newmarket Road
 Bury St. Edmunds
 Suffolk IP 33 3SR
 ☎ (01284) 763163 – Fax (01284) 750562

USA

Nilfisk-Advance Inc.
 14600 21st Avenue North
 Plymouth, MN 55447-3408
 ☎ +1 800 989 2235 – Fax 1 800 989 6566

Nilfisk-Advance of America, Inc.
 300 Technology Drive
 Malvern, PA 19355
 ☎ (610) 647 647-6427

ÖSTERREICH

Nilfisk-Advance GmbH
 Vorarlberg Allee 46
 1230 Wien
 ☎ 1 616 58 30 – Fax 1 616 58 30 40

ESPAÑA

Nilfisk-Advance, S.A.
 Torre D'Ara
 Passeig del Rengle, 5 Pl.9-10
 E-08302 – Mataró (Barcelona)
 ☎ Tel. 93 741 24 00 – Fax: 93 757 80 20
 Central atención al cliente: 902 200 201
nilfisk@nilfisk-advance.es – www.nilfisk-advance.com
 Distribuidores y Servicio Técnico en toda España y Andorra

ITALIA

Nilfisk-Advance Italia Spa
 Località Novella Terza
 26862 Guardamiglio (LO)
 Italy
 ☎ +39 0377 414067-54 – Fax +39 0377 414097
www.nilfisk-advance.com

PORTUGAL

Nilfisk-Advance Lda.
 Rua Cândido de Figueiredo, 91-i, 1500-133 LISBOA
 ☎ 01/7784142 – Fax 01/7785613
 Porto 02/526766 – Fax 02/520739
 Açores 096/628092/3 – Fax 096/628129
 Madeira 091/228965 – Fax 091/228796

GREECE

Embiom S.A.
 Λεωφ. Βουλιαγμένης 60
 Αργυρούπολη
 164 52 Αθήνα
 ☎ 9950613 - Fax 9951680



Material composition of the Nilfisk BHS 5120

