

Convertamatic™ 26B



PARTS LIST

Advance MODEL 56372000(OBSOLETE)

This parts list is for machines after serial number 302067



**Nilfisk
Advance**

setting standards

5/91 FORM NO. 56042241

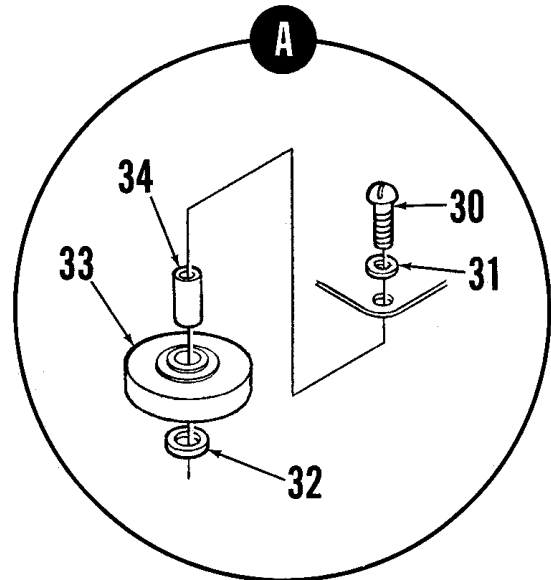
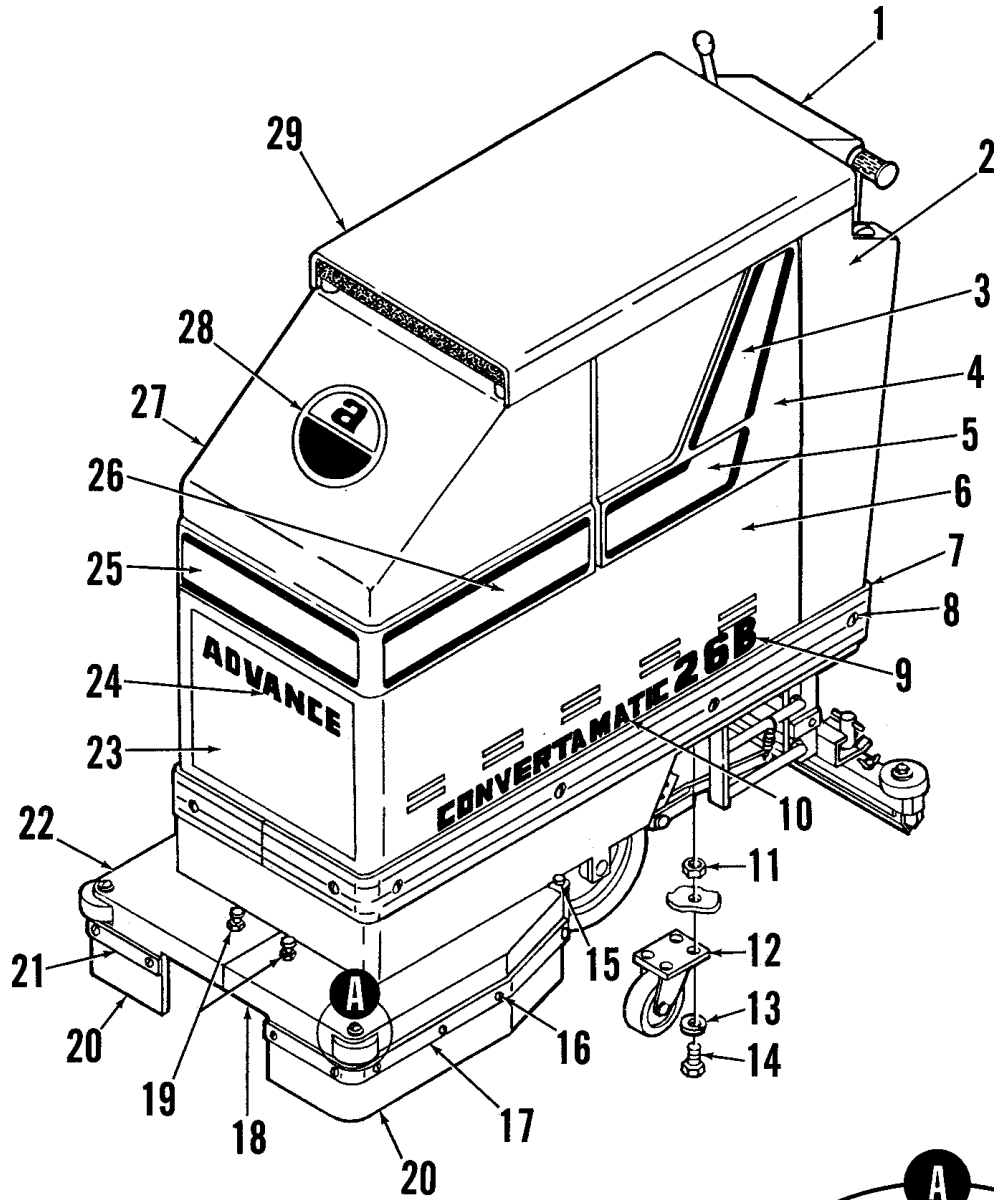
TABLE OF CONTENTS

DESCRIPTION	PAGE
Body	1-2
Control Handle	3-4
Rear Body	5-6
Battery Housing	7-8
Brush & Vac Motors	9-10
Brush Linkage, Front Wheels	11-12
Hood & Tanks	13-14
Squeegee & Mount	15-16
Gear Box	17-18
Wiring Diagram	19-20

WHEN ORDERING PARTS

- * Use the 6 digit numbers from the "Part No." columns in this parts list.
- * Specify the model and serial number of the machine.
- * Use the space below to record the model and serial number for future reference.

Model _____ Serial No. _____

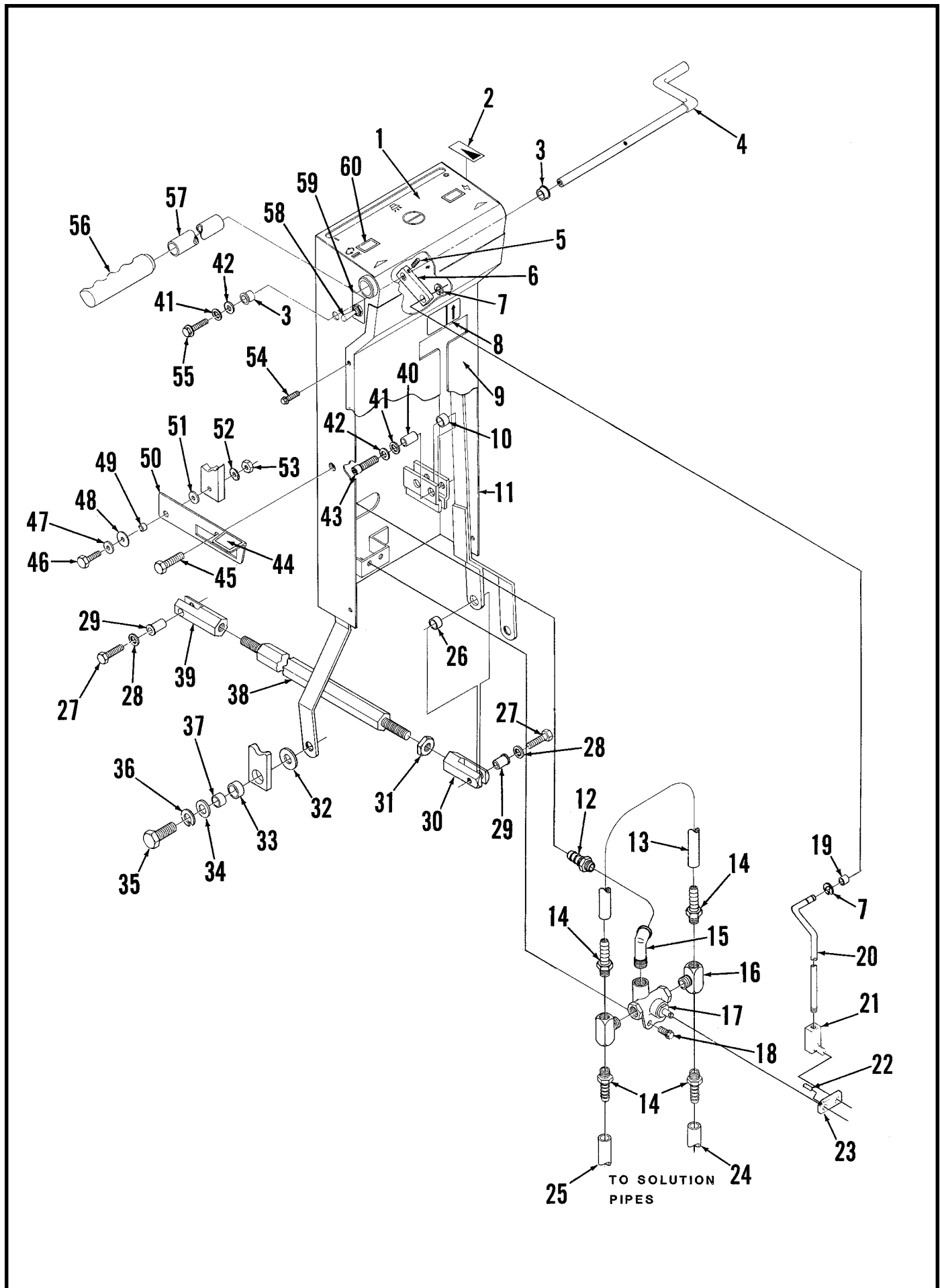


BODY

Item	Part No.	Qty	Description
1	372002	1	Control Panel Assembly
2	372026	1	Chassis
3	014243	1	Decal, Left Stripe
*	014244	1	Decal, Right Stripe
4	372029	1	Recovery Tank Assembly
5	014232	1	Decal, Left Stripe
*	014231	1	Decal, Right Stripe
6	372009	1	Battery Housing Assembly
7	372262	2	Chassis Bumper **
*	371955	2	Strap (inside Bumper) **
8		10	#10-24 x 1/2 Screw **
9	014297	2	Decal, 26B
10	014229	2	Decal, Convertamatic
11		4	3/8-16 Nut
12	365629	1	Caster Assembly
	365742	1	Caster Wheel
13		4	3/8 Lock Washer
14		4	3/8-16 x 1 Bolt
15	360147	2	Brass Pin
*	372201	2	Brass Bushing (for #15)
16	372929	12	Screw
17	551138	1	Left Strap
18	372006	1	Left Splash Guard
	372004	1	Left Splash Guard Assembly (#16-20, 30-34)
19	365548	2	Lock TSB 600 - G6
20	551127	2	Skirt
21	551116	1	Right Strap
22	372008	1	Right Splash Guard
	372007	1	Right Splash Guard Assembly (#16,19-22,30-34)
23	372549	1	Door
24	014046	1	Decal, Advance
25	014242	1	Decal, Front Stripe
26	014220	2	Decal, Stripe
27	372027	1	Solution Tank Assembly
28	014513	1	Decal, Logo
29	372019	1	Hood Assembly
30		2	1/4-20 x 1-1/2 Screw
31		2	1/4 Lock Washer
32	371009	2	Washer
33	363855	2	Wheel
34	360139	2	Bushing

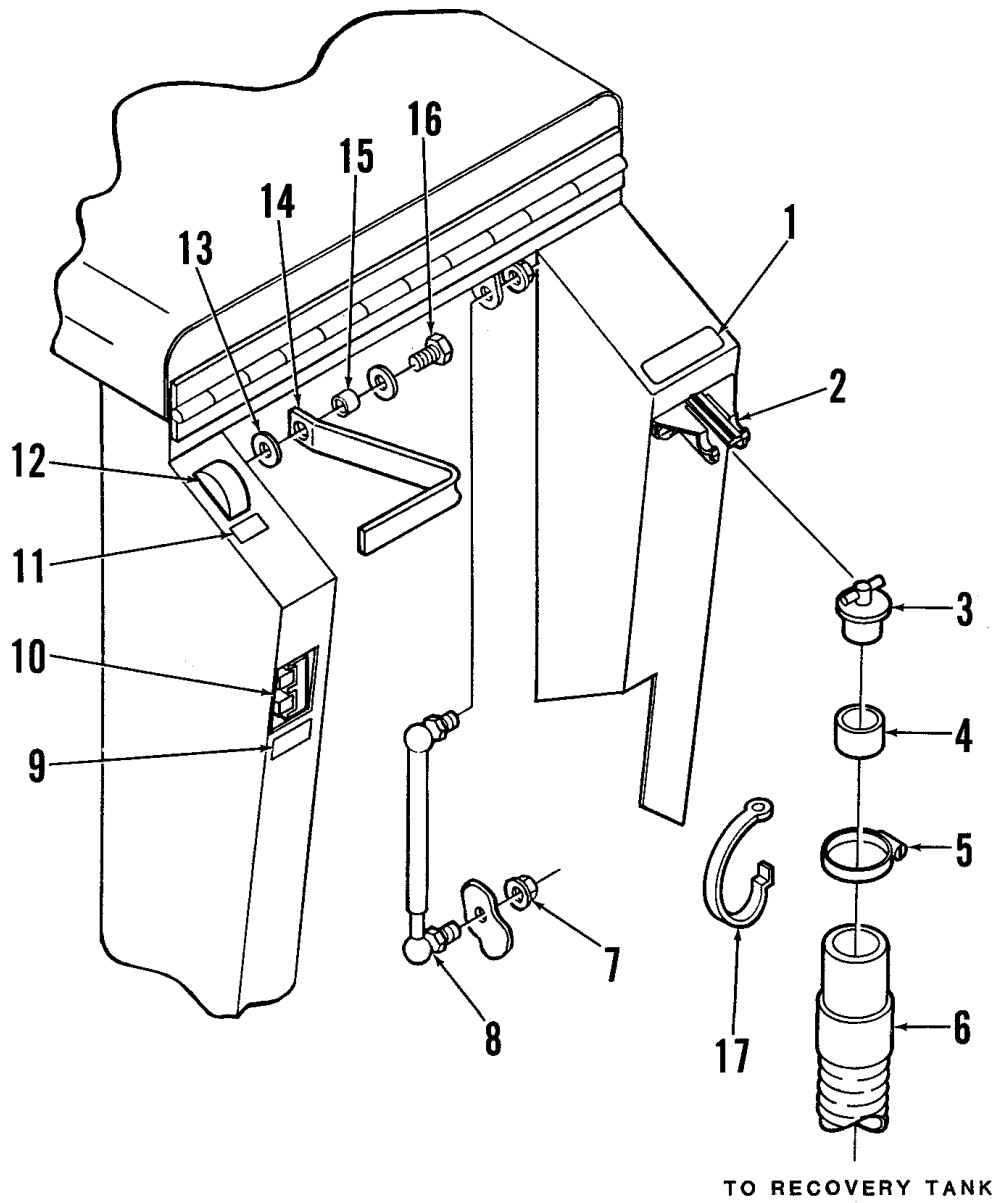
* = Not Shown

** **Note:** Bumpers and Straps not used on machines after 11/92



CONTROL HANDLE

Item	Part No.	Qty	Description	Item	Part No.	Qty	Description
1	014529	1	Decal, Control Panel	53		1	1/4-20 Nut
2	016334	1	Decal, Solution Valve	54		4	#6-32 x 1/2 Screw
3	329098	2	Nylon Bushing	*	706234	4	Nutsert
4	373459	1	Valve Handle	55		1	#10-24 x 3/8 Screw
5		1	1/8 x 3/4 Pin	56	514085	2	Hand Grip
6	373457	1	Lifter Arm	57	372837	1	Handle Tube
7	373797	2	Retaining Ring	58	207071	2	Toggle Switch
8	054195	1	Decal, Brush	59	016616	1	Decal, Brush Switch (Left)
9	372041	1	Cover	*	016112	1	Decal, Main Switch (Right)
10	365088	2	Bushing	60	467410	2	Indicator Light
11	372003	1	Handle Frame				
12	373456	1	Barb				* = Not Shown
13	379108	1	Tube				
14	155640	4	Barb				
15	369632	1	Elbow				
16	372506	2	Tee				
17	368881	1	Valve				
	373454	1	Valve Assembly (#12-17,23)				
18		2	#10-24 x 1 Screw				
19	373795	1	Bearing				
20	373453	1	Lever				
21	373462	1	Ball Joint				
22		1	#10-24 x 3/4 Set Screw				
23	373455	1	Valve Arm				
24	375408	1	Right Tube				
25	375410	1	Left Tube				
26	366633	1	Bearing				
27		2	3/8-16 x 1-1/4 Bolt				
28		2	3/8 Lock Washer				
29	366625	2	Bushing				
30	366617	1	Right Yoke				
31		1	1/2-13 Nut				
32	367192	2	Washer				
33	367168	2	Bearing				
34	367214	2	Washer				
35		2	1/2-13 x 1-1/4 Bolt				
36		2	1/2 Lock Washer				
37	367206	2	Bushing				
38	372005	1	Drive Adjust Rod				
39	366609	1	Left Yoke				
40	365089	2	Bushing				
41		2	#10 Lock Washer				
42		2	#10 Washer				
43		2	#10-24 x 1 Screw				
44	014544	1	Decal, Latch				
45		1	3/8-16 x 1-1/4 Bolt				
46		1	1/4-20 x 1-1/2 Screw				
47		1	1/4 Washer				
48	151068	1	Fiber Washer				
49	368997	1	Bushing				
50	372636	1	Latch				
51	151041	1	Spring Washer				
52		1	1/4 Lock Washer				



REAR BODY

Item	Part No.	Qty	Description
1	015379	1	Decal, Warning
2	386058	1	Hanger
3	376948	1	Plug
4	376940	1	Cuff
5	329145	2	Hose Clamp
6	395865	1	Hose
7		2	5/16-18 Nut
8	385238	1	Cylinder
9	054192	1	Decal, Charger
10	372972	1	Charger Plug Assembly (includes cables)
11	016114	1	Decal, Volt Meter
12	364210	1	Volt Meter
13	150142	2	Washer
14	364506	1	Handle
15	368997	1	Bushing
16		1	1/4-20 x 5/8 Screw
17	261378	1	Strap

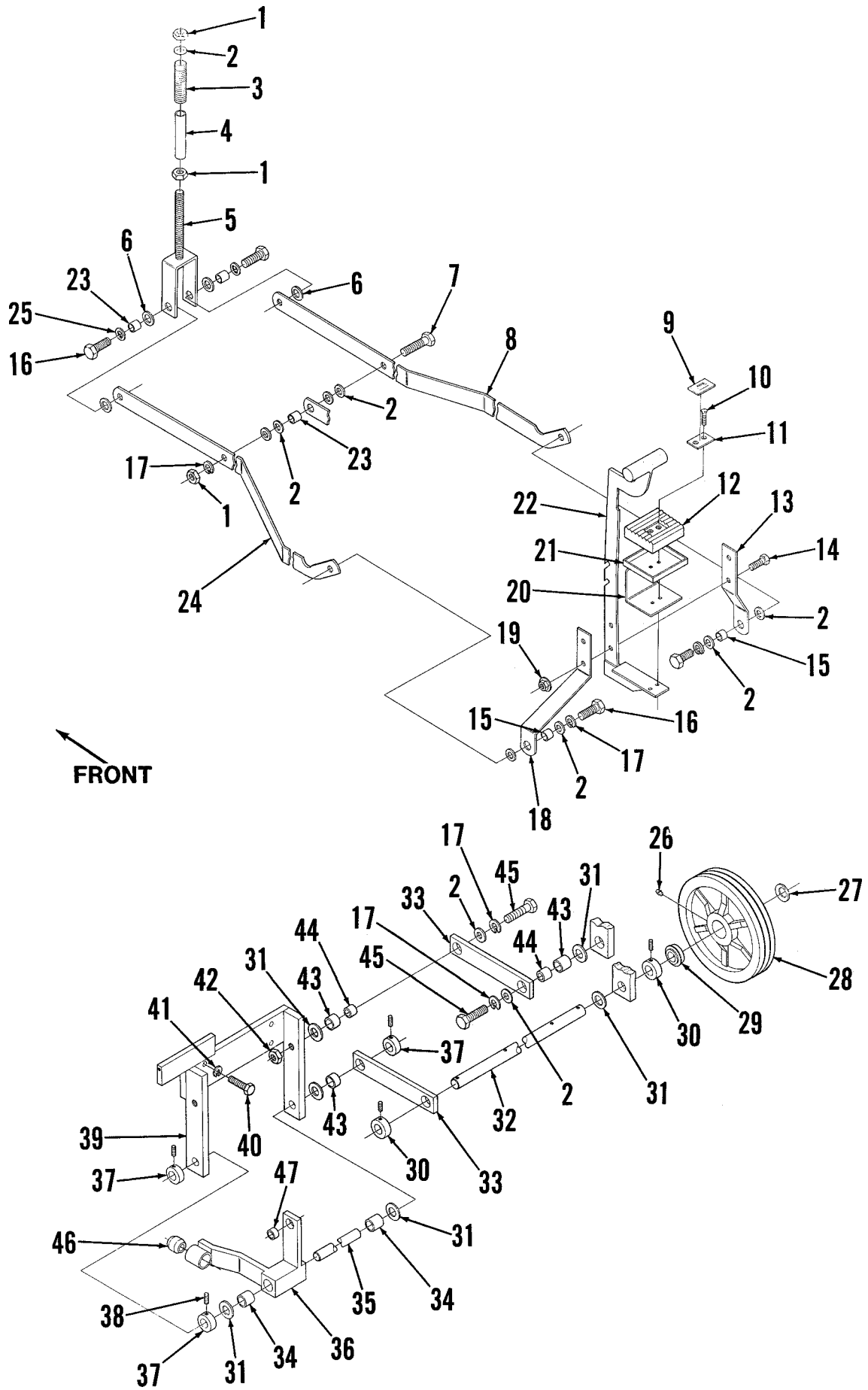
BATTERY HOUSING

Item	Part No.	Qty	Description
1	016391	1	Decal, Wiring
2	372549	1	Door
3	372017	1	Battery Housing
4	372673	8	Battery Cable Boot
5	363928	3	Battery Cable
6	385414	1	Nut Plate
7	373794	1	Hose Clip
8	361674	1	Hinge
9	381053	2	Hinge Clip
10	373791	1	Hose Clip
11		9	#10-24 x 1/2 Screw
12	372010	1	Vacuum Hose
13		2	#10-24 Nut
14		2	#10 Lock Washer
15		4	#10 Washer
16	151092	2	Bushing
17	385055	1	Gasket
18	385052	1	Tube
19	550941	1	Hose
20	209957	2	Hose Cuff
21	404800	1	Spring
22	025363	1	Decal, Caution
23	372043	1	Solenoid Cover
24	016122	1	Decal, Circuit Breaker
25	441775	1	Negative Battery Cable
26	363979	1	Positive Battery Cable
27	469858	2	Insulated Stand Off
28	157376	2	Grommet
29	468358	2	Solenoid
*	389265	2	Rectifier
30	372011	1	Circuit Breaker Bracket
31	386725	1	Circuit Breaker 50 Amp
32	395454	1	Circuit Breaker 20 Amp
33	150274	1	Stud
34	454376	1	Stud
35		2	1/4-20 x 1/2 Screw
*	372922	1	Battery Tray
*	372908	1	Battery Spacer Channel
			<u>Batteries **</u>
	372730	4	Battery 6V, 220 AH
	376014	4	Battery 6V, 244 AH
			<u>Optional Battery Chargers **</u>
*	372947	1	24V Automatic Charger
*	372945	1	24V Manual Charger
			* = Not Shown
			** = Not Included

BRUSH & VAC MOTORS

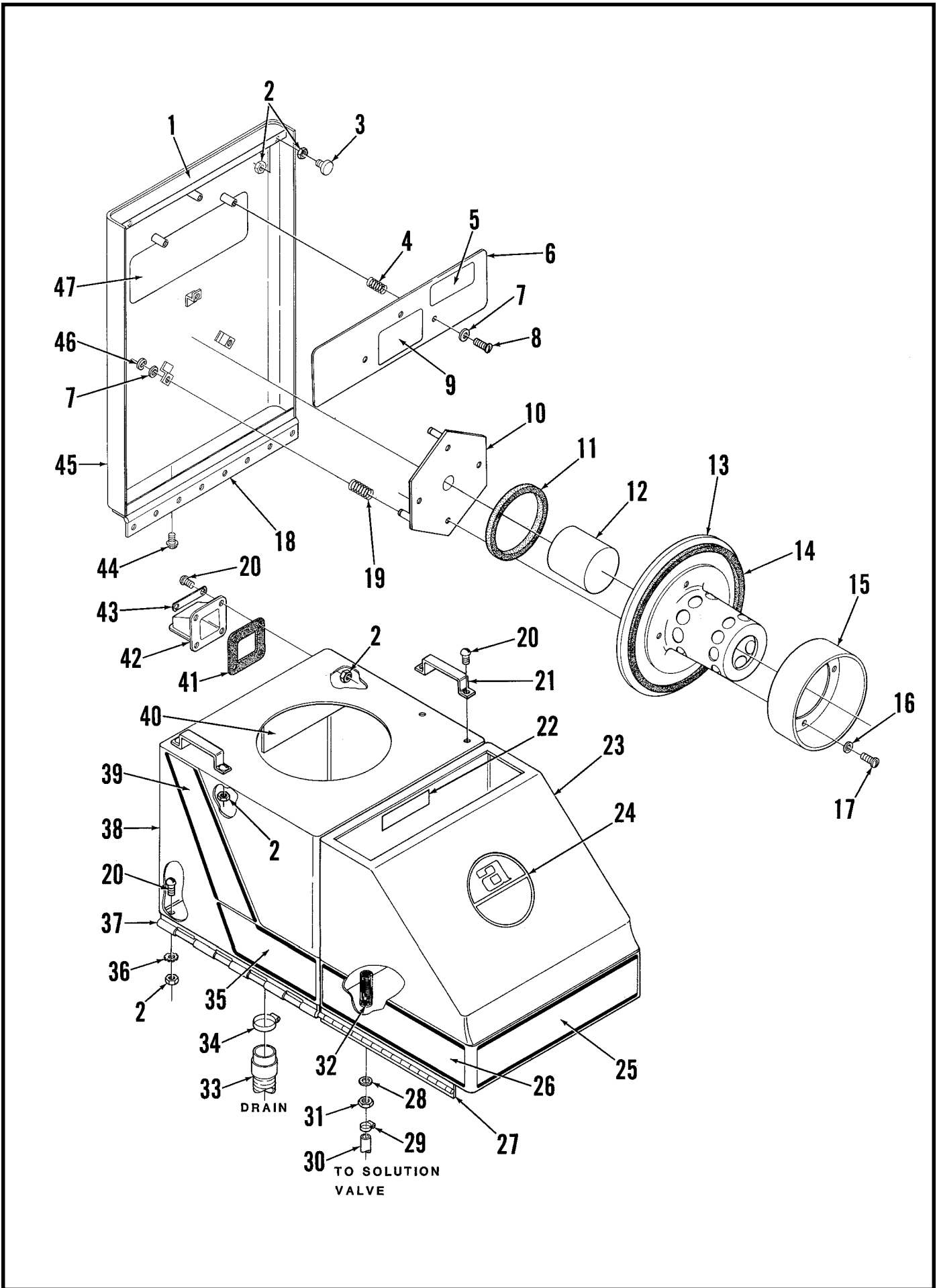
Item	Part No.	Qty	Description
1		3	1/4-20 x 1/2 Screw
2		1	1/4 Lock Washer
3		1	1/4 Washer
4	030080	1	Decal, Hands Clear
5		2	5/16-18 x 1 Bolt
6		2	5/16 Lock Washer
7		2	5/16 Washer
8	372042	1	Belt Guard
9	372626	1	Sheave
10	367958	1	Key
11		4	1/4-20 Whiz Nut
12	372765	1	24 VDC Motor
*	448729	1	Carbon Brush (set of 4)
13	372039	1	Motor Mount Plate
14	368997	2	Bushing
15		6	1/4-20 x 3/4 Screw
16	016546	1	Decal, This End Up
17		4	#10 Washer
18		4	#10-32 x 1/2 Screw
19	016591	1	Decal, 24V
20	372032	1	Vacuum Motor Adapter
21	380922	1	Filter
22	209325	1	Vacuum Motor Gasket
23	376365	1	Vacuum Motor 24V
*	376369	1	Carbon Brush Set for #23
24	384898	1	Filter
25	375335	1	Gasket
26		2	1/4-20 Nut
27		2	1/4 Lock Washer
28	379811	1	Stud
29	372235	1	Spring Bracket
30	300225	1	Spring Clip
31		1	#10-24 x 1/2 Screw
32	371114	1	Spring
33		1	1/4-20 x 1-1/2 Screw

* = Not Shown



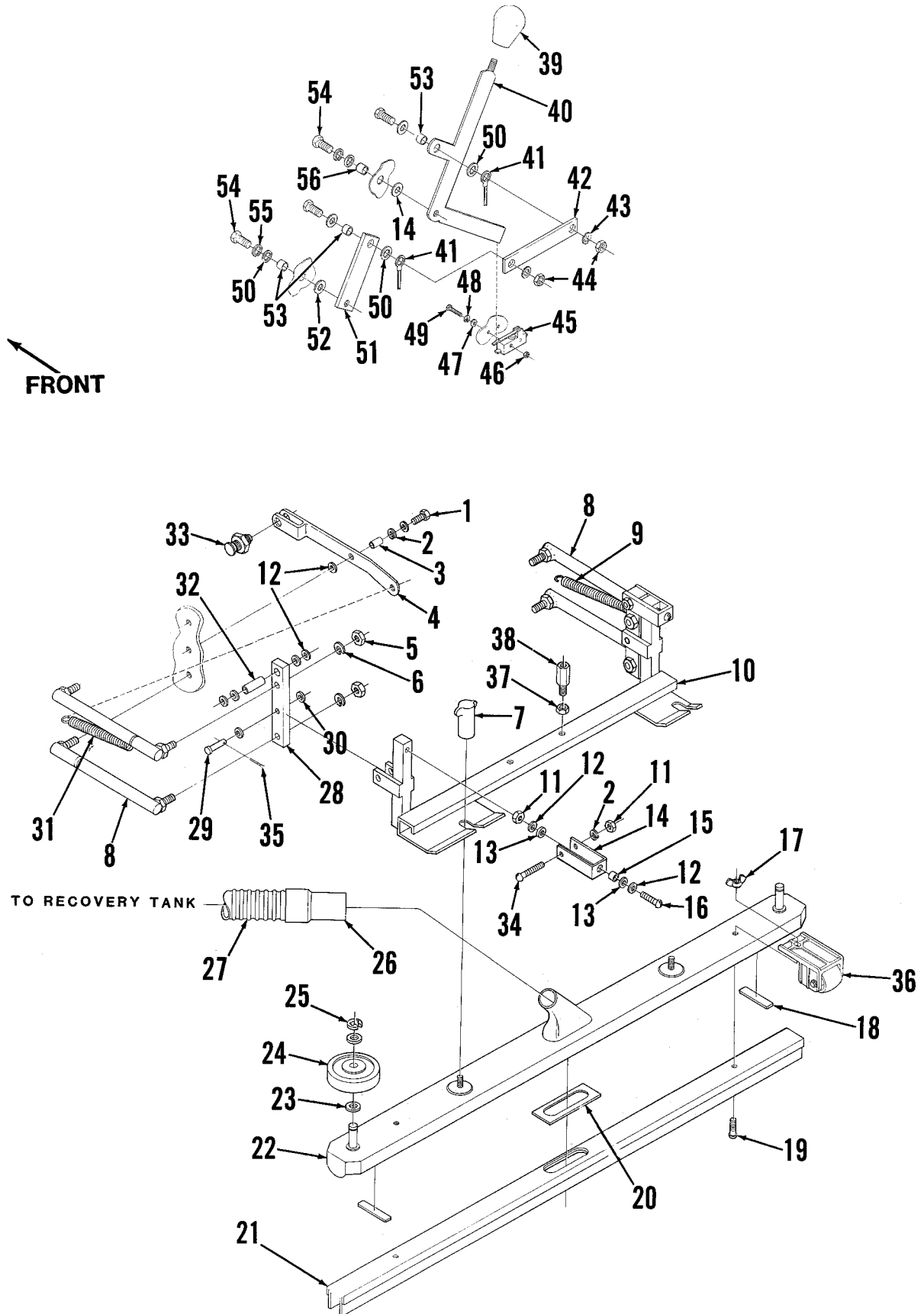
BRUSH LINKAGE, FRONT WHEELS

Item	Part No.	Qty	Description
1		3	1/2-13 Nut
2	367214	15	Washer
3	372129	1	Spring
4	372110	1	Spacer
5	372102	1	Yoke
6		4	5/8 Washer
7		1	1/2-13 x 1-3/4 Bolt
8	372154	1	Right Arm
9	016281	1	Decal, Brush
10		2	1/4-20 x 1 Screw
11	365081	1	Plate
12	365086	1	Pad
13	373606	1	Right Plate
14		2	3/8-16 x 1-1/4 Bolt
15	365030	2	Bushing
16		4	1/2-13 x 1 Bolt
17		6	1/2 Lock Washer
18	373614	1	Left Plate
19		2	3/8-16 Nut
20	380255	1	Foot Guard
21	365087	1	Pedal Cup
22	372147	1	Pedal
23	360627	3	Bushing
24	372162	1	Left arm
25		2	1/2 Lock Washer
26	101737	2	Grease Fitting
27	362883	2	Bowed Washer
	377945	2	Wheel Assembly (#28-29)
28	377961	2	Wheel
29	362352	4	Bearing
30	367095	4	Collar
31	367192	10	Washer
32	372196	1	Axle
33	372708	4	Drive Unit Arm
34	367389	2	Bearing
35	367346	1	Shaft
36	366581	1	Lever
37	367354	3	Collar
38		7	5/16-18 x 1/2 Set Screw
39	550569	1	Gear Case Bracket
40		4	3/8-16 x 1 Bolt
41		4	3/8 Lock Washer
42	441236	2	Spring Lock Nut
43	367168	6	Bearing
44	367206	4	Bushing
45		4	1/2-13 x 1-1/2 Bolt
46	114545	1	Rubber Bushing
47	366633	1	Bearing



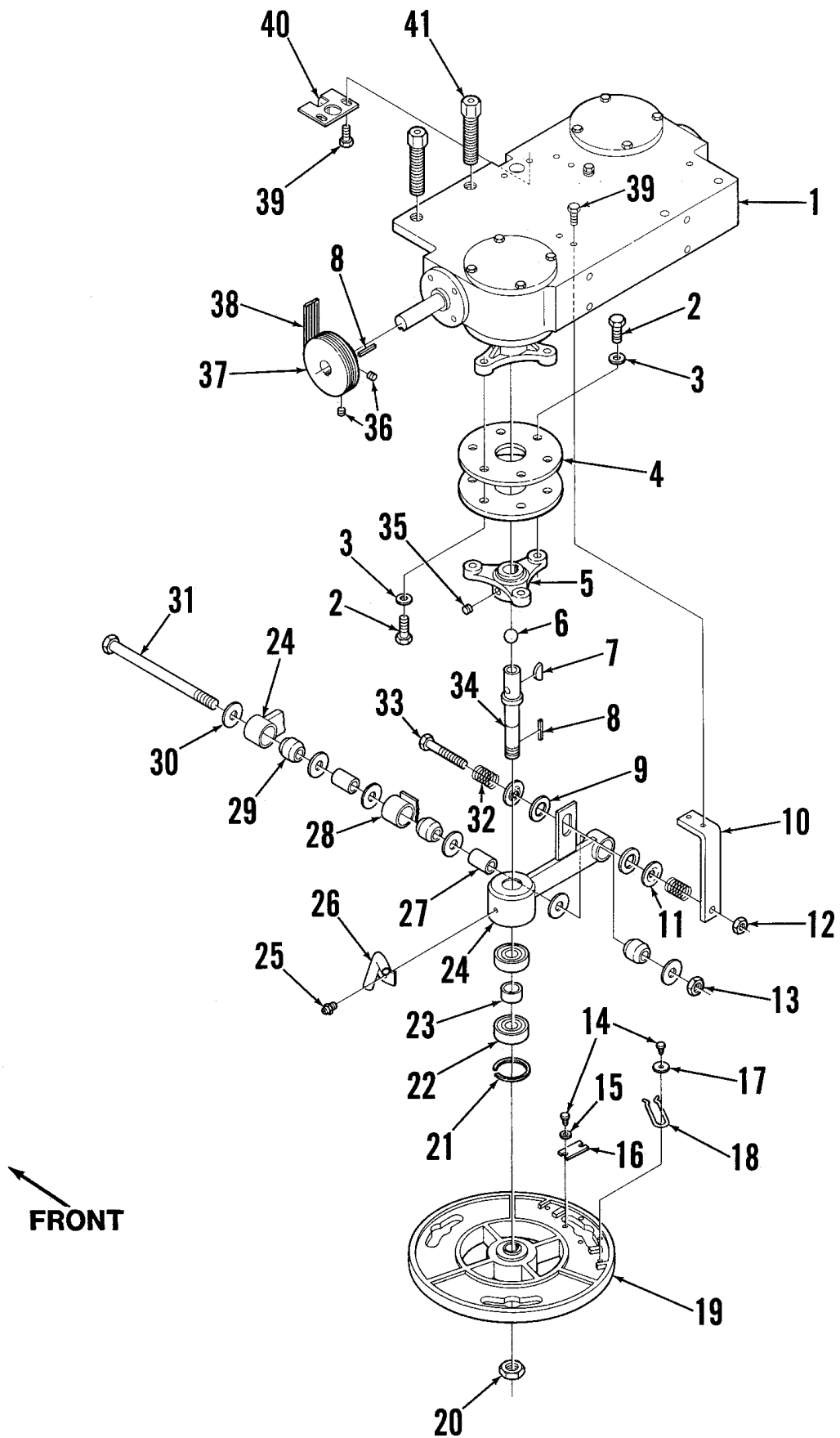
HOOD & TANKS

Item	Part No.	Qty	Description	Item	Part No.	Qty	Description
1	016358	1	Decal, Hood	44		8	#10-24 x 1/4 Screw
2		18	1/4-20 Nut	45	372024	1	Hood
3	386312	2	Hood Stop		372019	1	Hood Assembly (#1-19,44-47)
4	372724	3	Spring	46	321125	3	Retaining Ring
5	016185	1	Decal, Low Sudsing	47	016225	1	Decal, Maintenance
6	372726	1	Solution Tank Cover				
7	325276	6	Washer				* = Not Shown
8		3	#6-32 x 1/4 Brass Screw				
9	014030	1	Decal, Caution				
10	372538	1	Mount				
11	372716	1	Gasket				
12	385198	1	Float				
13	385276	1	Cover				
14	372718	1	Gasket				
15	385274	1	Deflector				
16		4	#10 Washer				
17		4	#10-24 x 3/8 Screw				
18	372693	1	Hood Hinge				
19	379170	3	Spring				
20		19	1/4-20 x 5/8 Brass Screw				
21	209952	2	Handle				
22	016057	1	Decal, Caution				
23	372028	1	Solution Tank				
	372027	1	Solution Tank Assembly (#22-28,31-32)				
24	014513	1	Decal, Logo				
25	014242	1	Decal, Front Stripe				
26	014220	2	Decal, Stripe				
27	372332	1	Hinge				
28	368776	1	Sealing Washer				
29	219932	1	Hose Clamp				
30	375406	1	Solution Hose				
*	373686	2	Spring (inside #30)				
31		1	5/8-18 Nut				
32	395909	1	Strainer				
33	395865	1	Drain Hose				
34	329145	1	Hose Clamp				
35	014231	1	Decal, Right Stripe				
*	014232	1	Decal, Left Stripe				
36		6	1/4 Lock Washer				
37	374560	1	Hinge				
38	372030	1	Recovery Tank				
	372029	1	Recovery Tank Assembly (#2,20,21,35-43)				
39	014244	1	Decal, Right Stripe				
*	014243	1	Decal, Left Stripe				
40	205829	1	Deflector				
41	374558	1	Gasket				
42	385287	1	Inlet Adapter				
43	374566	2	Plate				



SQUEEGEE & MOUNT

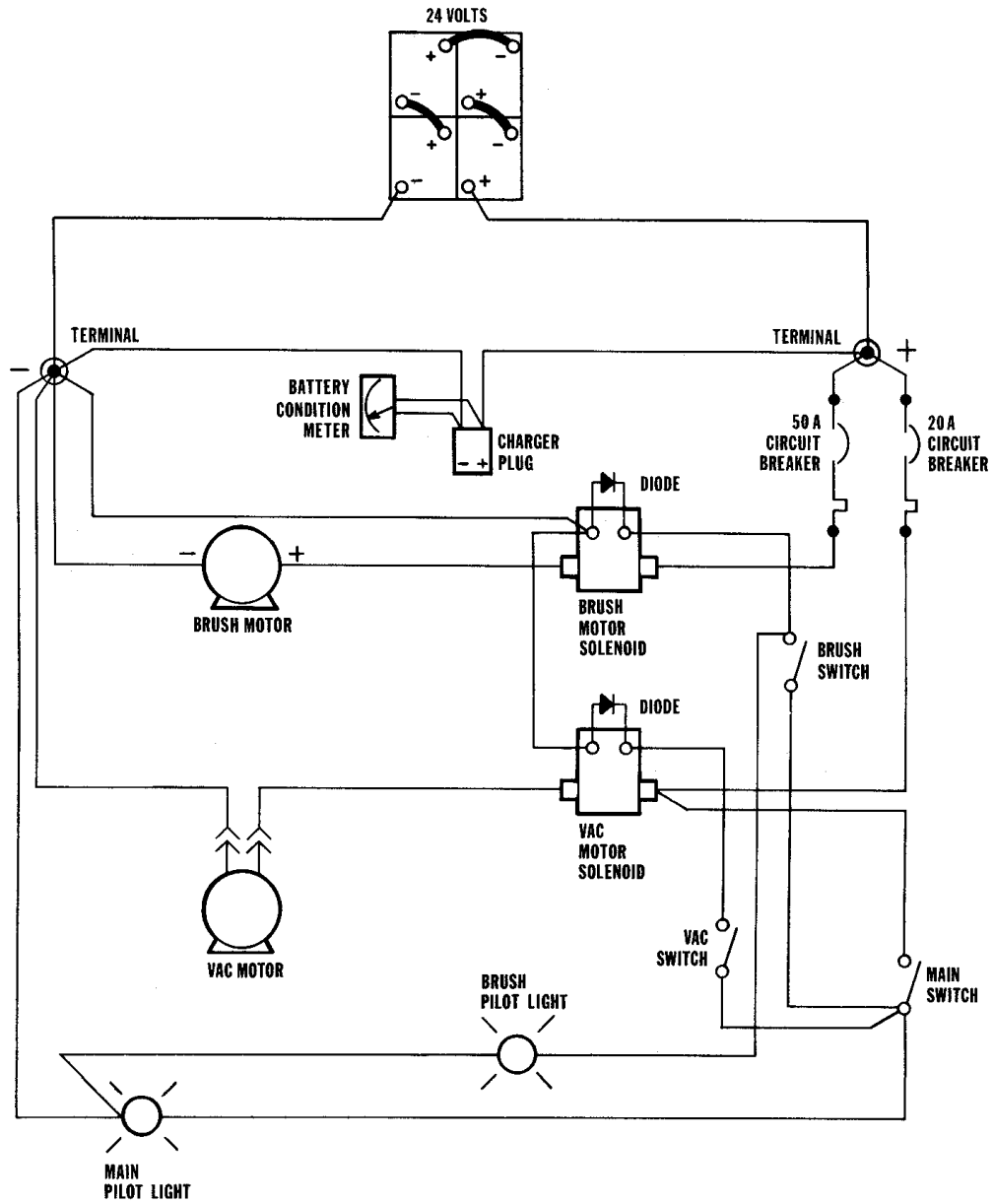
Item	Part No.	Qty	Description	Item	Part No.	Qty	Description
1		2	1/4-20 x 5/8 Screw	46		2	#6-32 Nut
2		4	1/4 Lock Washer	47		2	#6 Washer
3	206784	2	Bushing	48		2	#6 Lock Washer
4	371831	1	Left Arm	49		2	#6-32 x 7/8 Screw
*	371858	1	Right Arm	50		4	1/4 Washer
5		4	5/16-24 Nut	51	374942	1	Lifter Bar
6		4	5/16 Lock Washer	52	150142	4	Washer
7	370711	2	Thumb Nut	53	379298	3	Bushing
8	365289	4	Rod	54		4	1/4-20 x 5/8 Screw
9	371874	1	Right Spring	55		2	1/4 Lock Washer
10	371795	1	Squeegee Mount	56	206784	1	Bushing
11		4	1/4-20 Nut				
12		14	1/4 Washer				* = Not Shown
13	163880	4	Spring Washer				** = Optional
14	371823	2	U Clamp				
15	206784	2	Bushing				
16		2	1/4-20 x 1-3/4 Screw				
	372975	1	Squeegee Assembly (#7,17-25,36)				
*	372750	1	Curved Squeegee Assembly **				
*	372786	1	Gum Rubber Curved Blade Kit				
*	372784	1	Neoprene Curved Blade Kit				
17		2	1/4-20 Wing Nut				
18	400614	2	Gasket				
19		2	1/4-20 x 1 Screw				
20	400613	1	Gasket				
21	372992	1	Squeegee Cartridge TSB 590 - G7				
22	372978	1	Channel				
23	371009	4	Washer				
24	363855	2	Wheel				
25	157060	2	Retaining Ring				
26	209957	2	Hose Cuff				
27	550941	1	Pick-Up Hose with Cuffs				
28	371807	2	Adjusting Bar				
29	487989	2	Pin				
30	150142	4	Washer				
31	371866	1	Left Spring				
32	366862	2	Bushing				
33	365548	2	Lock				
34		2	1/4-20 x 1-1/2 Screw				
35		2	3/32 x 3/4 Cotter Pin				
36	387376	2	Roller				
37		2	Jam Nut 5/16-24 Left Hand				
38	374940	2	Turnbuckle				
39	364527	1	Knob				
40	372638	1	Lever				
41	384909	2	Wire Rope				
42	374944	1	Bar				
43		2	1/4 Shakeproof Washer				
44		2	1/4-20 Nut				
45	388019	1	Switch				



GEAR BOX

Item	Part No.	Qty	Description	Item	Part No.	Qty	Description
1	550926	1	Gear Case TSB610, G-4	28	366581	1	Lever
2	366447	12	Bolt	29	114545	3	Bushing
3		12	3/8 Washer	30		6	1/2 Washer
4	104647	4	Flex Disc	31	440787	1	Bolt
5	366382	2	Universal Casting	32	171177	4	Spring
6	366404	2	Ball	33		2	3/8-16 x 2-3/4 Bolt
7	366366	2	Woodruff Key	34	366412	2	Brush Holder Shaft
8	367958	3	Key	35		2	3/8-16 x 1/2 Set Screw
9	367184	4	Thrust Bearing	36		2	5/16-18 x 1/2 Set Screw
10	378437	2	Bracket	37	372889	1	Sheave
11	440760	4	Washer	38	372242	1	Belt
12		2	3/8-16 Nut	39		6	1/4-20 x 1 Screw
13		1	1/2-13 Nut	40	372702	1	Guide Plate
14		6	#10-32 x 1/2 Screw	41	378631	2	Stud
15		4	#10 Washer				
16	366455	2	Plate				<u>Pad Holders and Brushes **</u>
17	151114	2	Washer	*	505760	2	Pad Holder
18	366463	2	Spring Retainer	*	505761	2	Magna Grit 46 Brush
19	367931	2	Brush Holder	*	505762	2	Dyna Grit 80 Brush
20	366420	2	Lock Nut	*	505763	2	AgLite Grit 500 Brush
	550206	1	Arm Assembly (#21-25)	*	505764	2	Prolene Brush
21	366544	2	Retaining Ring	*	505765	2	Prolite Brush
22	372773	4	Ball Bearing	*	505766	2	Union Mix Brush
23	366528	2	Bushing	*	505767	2	MidGrit 240 Brush
24	550190	2	Arm	*	505768	2	MidLite 180 Brush
25	369128	2	Grease Fitting				
26	369136	1	Left Solution Pipe				
*	369144	1	Right Solution Pipe				
27	440698	2	Bushing				

* = Not Shown
 ** = Not Included



WIRING DIAGRAM

Part No.	Qty	Description
364210	1	Battery Condition Meter
467410	2	Brush Light, Main Pilot Light
372765	1	Brush Motor
468358	1	Brush Motor Solenoid
207071	1	Brush Switch
372972	1	Charger Plug
395454	1	Circuit Breaker 20 Amp
386725	1	Circuit Breaker 50 Amp
207071	1	Main Switch
389265	2	Diode
469858	2	Terminal
376365	1	Vacuum Motor
468358	1	Vacuum Motor Solenoid
388019	1	Vacuum Switch