

Convertamatic™ 32B / 32BD / 38BD

Hydro-Retriever™ 320BHD / 380BHD



PARTS LIST

**Advance MODELS 56395700(32B), 56395710(32BD)
56395720(38BD), 56395715(320BHD), 56395725(380BHD)**
All models covered in this manual are Obsolete.

This parts list is for machines after serial number 323354



Advance
by Nilfisk-Advance

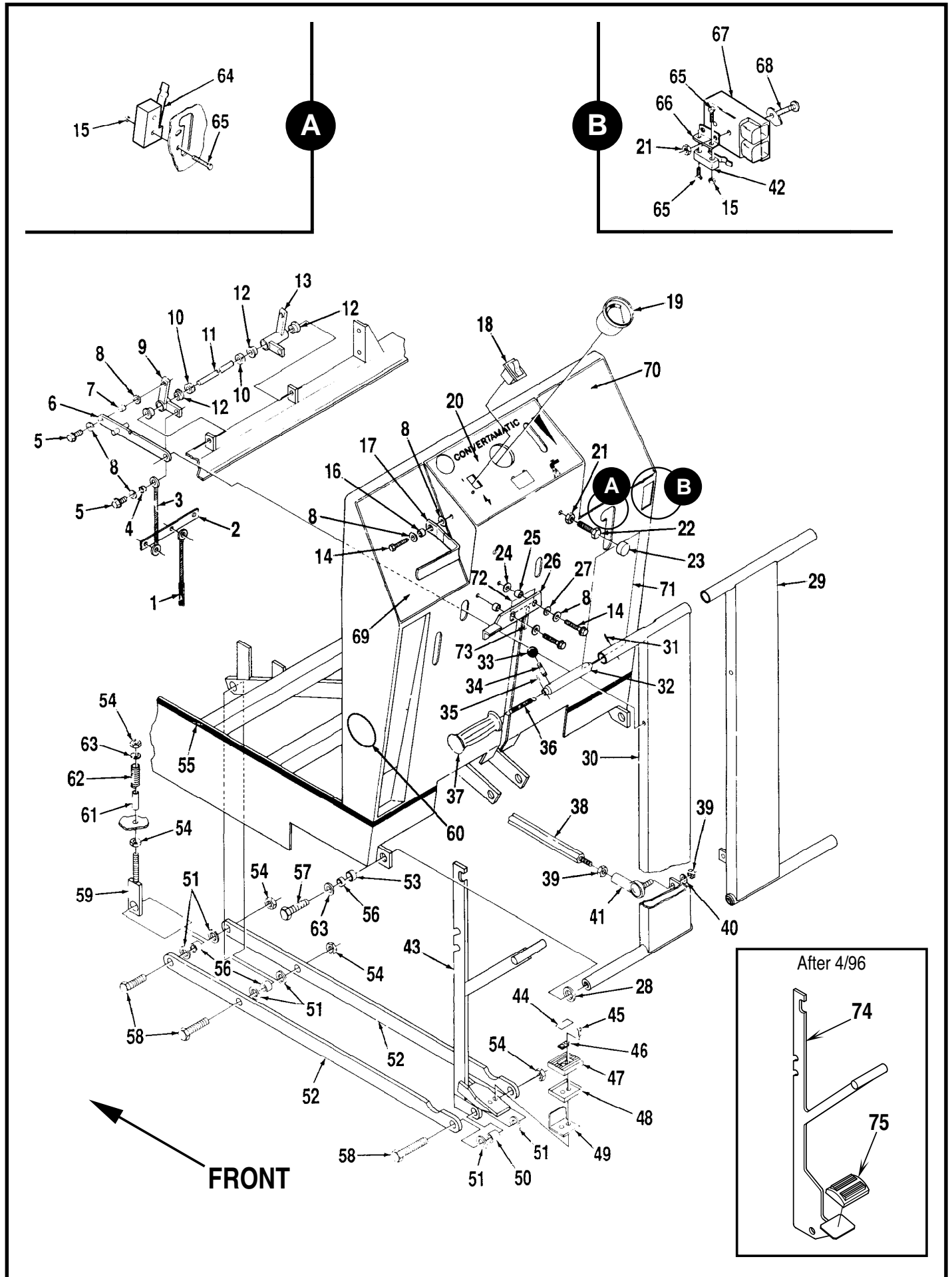
TABLE OF CONTENTS

| DESCRIPTION | PAGE |
|-------------------------------|-------|
| Handle Controls | 1-2 |
| Chassis | 3-4 |
| Skirts | 5-6 |
| Battery Housing | 7-8 |
| Squeegee Mount and Lift | 9-10 |
| Squeegee's | 11-12 |
| Solution Tank | 13-14 |
| Recovery Tank | 15-16 |
| Brush Drive Motor | 17-18 |
| Gear Case | 19-20 |
| Transport Drive | 21-22 |
| Differential and Brake | 23-24 |
| Wiring Diagram | 25-26 |

WHEN ORDERING PARTS

- * Use the 8 digit numbers from the "Ref. No." columns in this parts list.
- * Specify the model and serial number of the machine.
- * Use the space below to record the model and serial number for future reference.

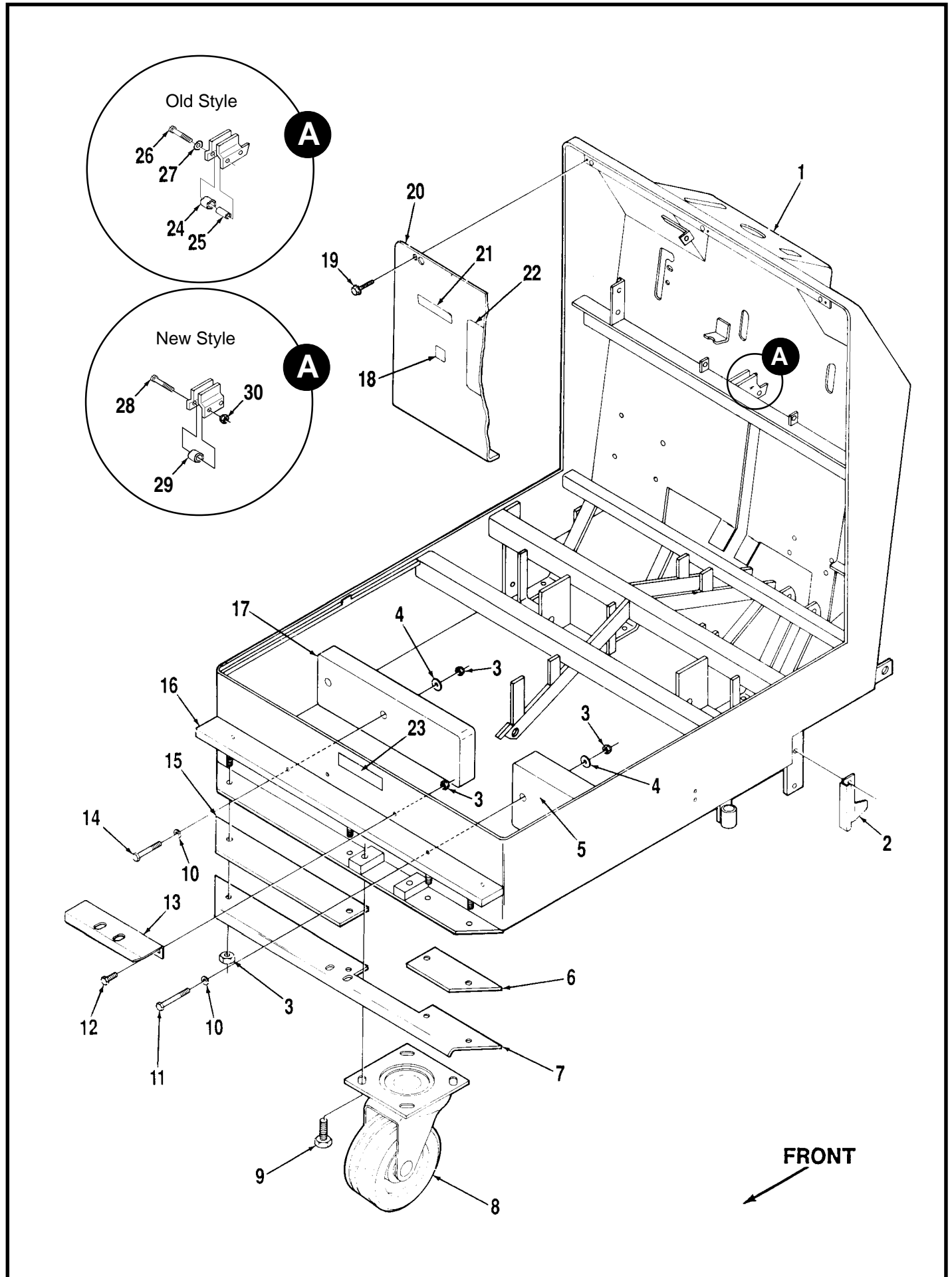
Model _____ Serial No. _____



HANDLE CONTROLS

| Item | Ref. No. | Qty | Description | Item | Ref. No. | Qty | Description |
|------|----------|-----|-------------------------------|------|----------|-------|---|
| 1 | 56395789 | 1 | Cable | 38 | 56395752 | 2 | Control Rod |
| 2 | 56395807 | 1 | Bar | 39 | 56002950 | 4 | 5/16-24 Ny-Loc Nut |
| 3 | 56395747 | 2 | Cable | 40 | 56001939 | 4 | 5/16 Flat Washer |
| 4 | 56328758 | 3 | Bushing | 41 | 56477756 | 2 | Rod End |
| 5 | 56001836 | 7 | 1/4-20 x 5/8 Screw | 42 | 56376435 | 1 | Charger Interlock Switch |
| 6 | 56395816 | 2 | Strap | 43 | 56395787 | 1 | Pedal Bracket (before 4/96) |
| 7 | 56163872 | 4 | Bushing | 44 | 56016281 | 1 | Decal, Brush (before 4/96) |
| 8 | 56002098 | 14 | 1/4Flat Washer | 45 | 56001832 | 2 | Scr, Flt Hd 1/4-20 x 1 (before 4/96) |
| 9 | 56395822 | 1 | Collar | 46 | 56365081 | 1 | Plate (before 4/96) |
| 10 | 56331076 | 2 | Collar | 47 | 56365086 | 1 | Rubber Pad (before 4/96) |
| 11 | 56395813 | 1 | Shaft | 48 | 56365087 | 1 | Pedal Cup (before 4/96) |
| 12 | 56491646 | 4 | Bearing | 49 | 56380255 | 1 | Foot Guard (before 4/96) |
| 13 | 56395823 | 1 | Collar | 50 | 56365030 | 1 | Bushing |
| 14 | 56002155 | 4 | 1/4-20 x 3/4 Screw | 51 | 56367214 | 6 | Washer |
| 15 | 56002830 | 3 | #6-32 Ny-Loc Nut | 52 | 56378590 | 2 | Arm |
| 16 | 56368997 | 2 | Bushing | 53 | 56367168 | 4 | Bearing |
| 17 | 56395825 | 2 | Handle | 54 | 56002770 | 5 | 1/2-13 Ny-Loc Nut |
| 18 | 56376348 | 1 | Main Switch | 55 | 56014043 | 10.5' | Decal, Stripe (3.25 m) 32B, 32BD, 38BD |
| 19 | 56448677 | 1 | Battery Meter | 56 | 56367206 | 6 | Bushing |
| 20 | 56014464 | 1 | Decal, Control Panel | 57 | 56001831 | 4 | 1/2-13 x 1-1/4 Bolt |
| 21 | 56002040 | 1 | 1/4-20 Jam Nut | 58 | 56001995 | 3 | 1/2-13 x 1-3/4 Bolt |
| 22 | 56386314 | 2 | Leveler | 59 | 56379786 | 1 | Arm |
| 23 | 56386316 | 2 | Snap Cap | 60 | 56014099 | 2 | Decal, Logo |
| 24 | 56151068 | 1 | Fiber Washer | 61 | 56372110 | 1 | Bushing |
| 25 | 56379298 | 2 | Bushing | 62 | 56372129 | 1 | Spring |
| 26 | 56395824 | 1 | Latch | 63 | 56001879 | 5 | 1/2 Flat Washer |
| 27 | 56151041 | 1 | Washer | 64 | 56388019 | 1 | Vacuum Motor Switch |
| 28 | 56367192 | 4 | Washer | 65 | 56003009 | 4 | #6-32 x 1 Screw |
| 29 | 56395766 | 1 | Right Handle | 66 | 56389270 | 1 | Bracket |
| | 56395859 | 1 | Left Handle Assembly (#30-37) | 67 | 56395879 | 1 | Charger Plug |
| 30 | 56395767 | 1 | Left Handle | 68 | 56001833 | 2 | 1/4-20 x 1-1/2 Screw |
| 31 | 56002291 | 1 | 1/8 x 1 Spring Pin | 69 | 56014465 | 1 | Decal, Control |
| 32 | 56395769 | 1 | Plunger | 70 | 56014463 | 1 | Decal, Instructions |
| 33 | 56440817 | 1 | Knob | 71 | 56014504 | 1 | Decal, Caution |
| 34 | 56395763 | 1 | Stud | 72 | 56054195 | 1 | Decal, Brush |
| 35 | 56002560 | 1 | 1/8 x 1/2 Spring Pin | 73 | 56055675 | 1 | Decal, Pressure |
| 36 | 56365769 | 1 | Spring | 74 | 56395145 | 1 | Pedal Weldment (after 4/96) |
| 37 | 56395884 | 2 | Grip | 75 | 56365002 | 1 | Pedal, Rubber (after 4/96) |
| | | | | * | 56386058 | 1 | Hanger Clip (for T-plug drain) |

* = Not Shown



CHASSIS

| Item | Ref. No. | Qty | Description |
|------|----------|-----|-----------------------------|
| 1 | 56395783 | 1 | Chassis 32B, 32BD, 38BD |
| | 56395885 | 1 | Chassis 320 BHD, 380 BHD |
| 2 | 56395784 | 1 | Left Shield |
| * | 56395785 | 1 | Right Shield |
| 3 | 56002708 | 10 | 1/4-20 Nyl Loc Nut |
| 4 | 56454626 | 4 | Washer |
| 5 | 56395553 | 1 | Left Weight Note #1 |
| 6 | 56395048 | 1 | Plate |
| 7 | 56402141 | 1 | Plate |
| 8 | 56365555 | 1 | Caster |
| | 56365742 | | Wheel for 56365555 Caster |
| 9 | 56002663 | 4 | 3/8-16 x 1 Bolt |
| 10 | 56002098 | 4 | 1/4 Flat Washer |
| 11 | 56002603 | 2 | 1/4-20 x 3 Screw |
| 12 | 56002093 | 2 | 1/4-20 x 1 Screw |
| 13 | 56376578 | 1 | Bracket Note #2 |
| 14 | 56001855 | 2 | 1/4-20 x 2-1/2 Screw |
| 15 | 56395047 | 1 | Plate |
| 16 | 56395046 | 1 | Cover Plate |
| 17 | 56395552 | 1 | Right Weight Note #1 |
| 18 | 56014625 | 1 | Decal, Cable Routing |
| 19 | 56002520 | 3 | #10-24 x 1/2 Screw |
| 20 | 56395868 | 1 | Panel |
| 21 | 56025363 | 1 | Decal, Caution |
| 22 | 56014469 | 1 | Decal, Wiring |
| 23 | 56016106 | 1 | Decal, Caution |
| 24 | 56365088 | 2 | Bushing |
| 25 | 56365089 | 2 | Bushing |
| 26 | 56002102 | 2 | #10-24 X 1-1/4 Cap Screw |
| 27 | 56001954 | 2 | #10 Flat Washer |
| 28 | 56002094 | 2 | 5/16-18 x 1-1/2 Bolt |
| 29 | 56365088 | 2 | Bushing |
| 30 | 56002701 | 2 | 5/16-18 Nyl Loc Nut |

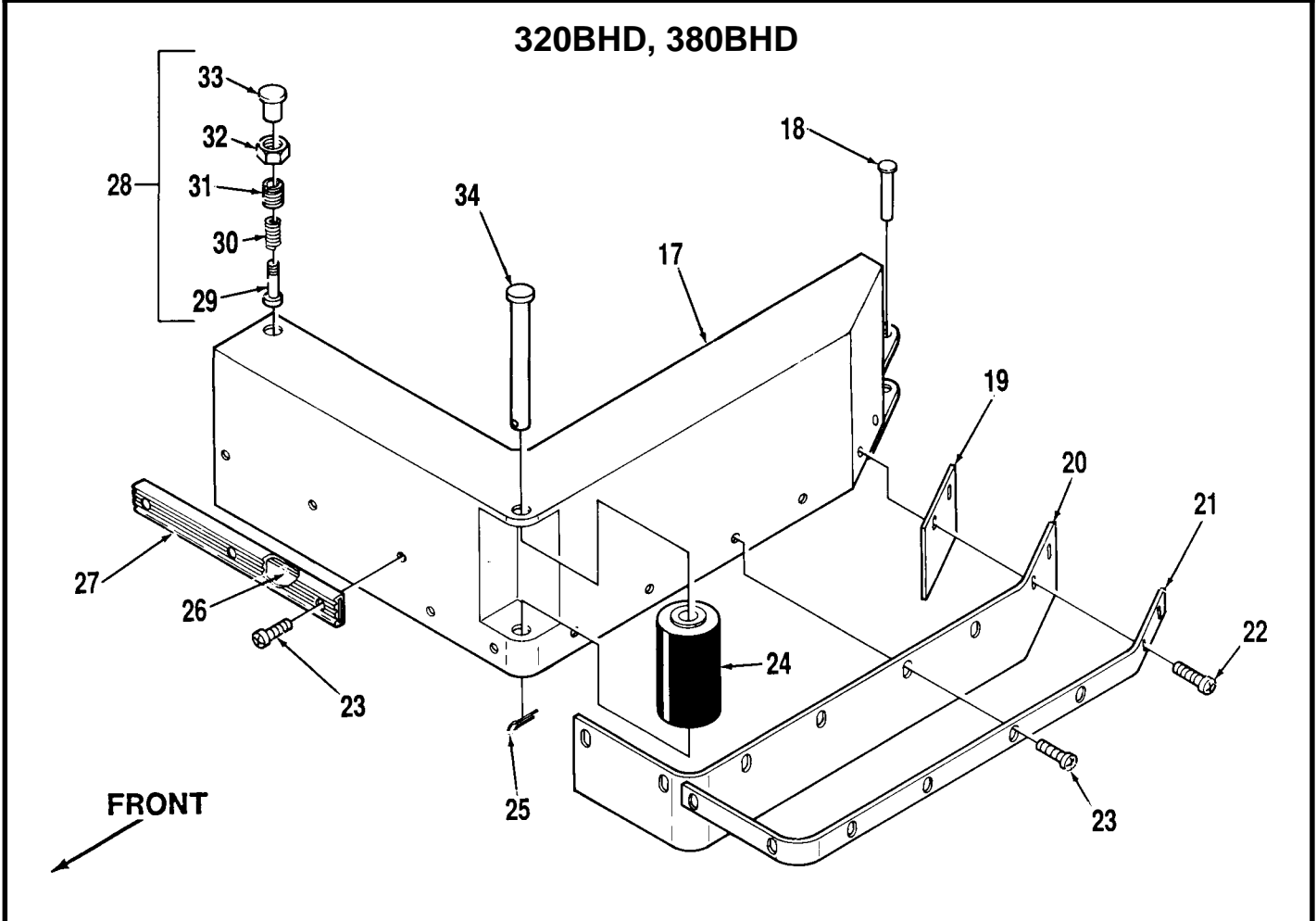
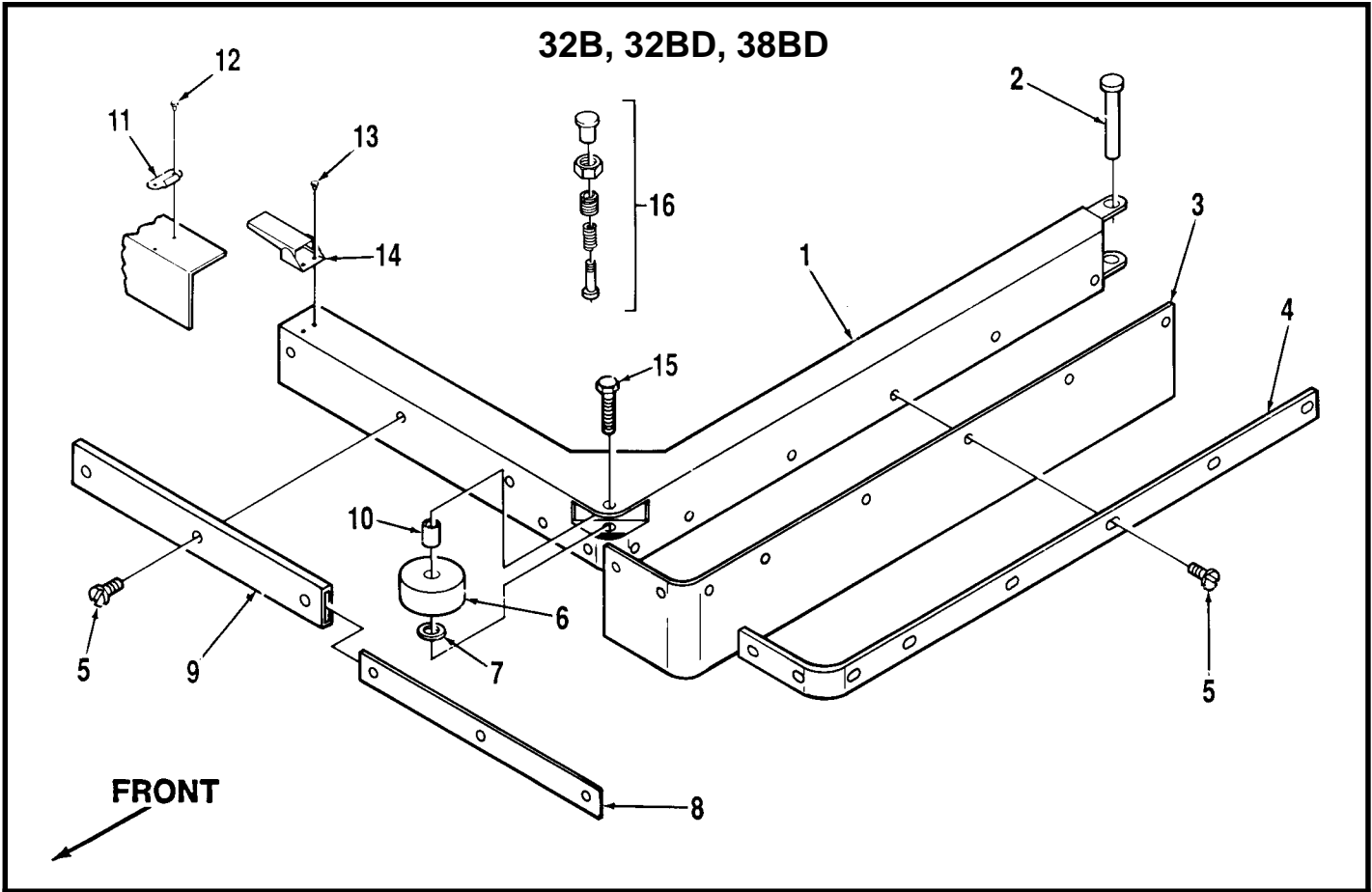
* = Not Shown

Note #1 : Cast iron weights were added (after serial #489066) to reduce the tendency to lift the front caster wheel off the ground, when the drive is first engaged. If you are having this problem, order part number 56395555 Drive Engagement Kit.

Note #2 : This part is used only on the 320BHD, 380BHD and in the 32BD Heavy Duty Kit PN 56395985. The contents of the 32BD Heavy Duty Kit are listed below.

56395985 32BD Heavy Duty Kit

| Ref. No. | Qty | Description |
|----------|-----|-----------------------------------|
| 56395940 | 1 | Right Skirt Assembly (see page 6) |
| 56395930 | 1 | Left Skirt Assembly (see page 6) |
| 56395950 | 1 | Squeegee Assembly (see page 12) |
| 56376578 | 1 | Bracket (see page 4) |
| 56505782 | 2 | Dyna Grit 80 Brush (see page 20) |
| 56002708 | 2 | 1/4-20 Nyl Loc Nut (see page 4) |
| 56002093 | 2 | 1/4-20 x 1 Screw (see page 4) |



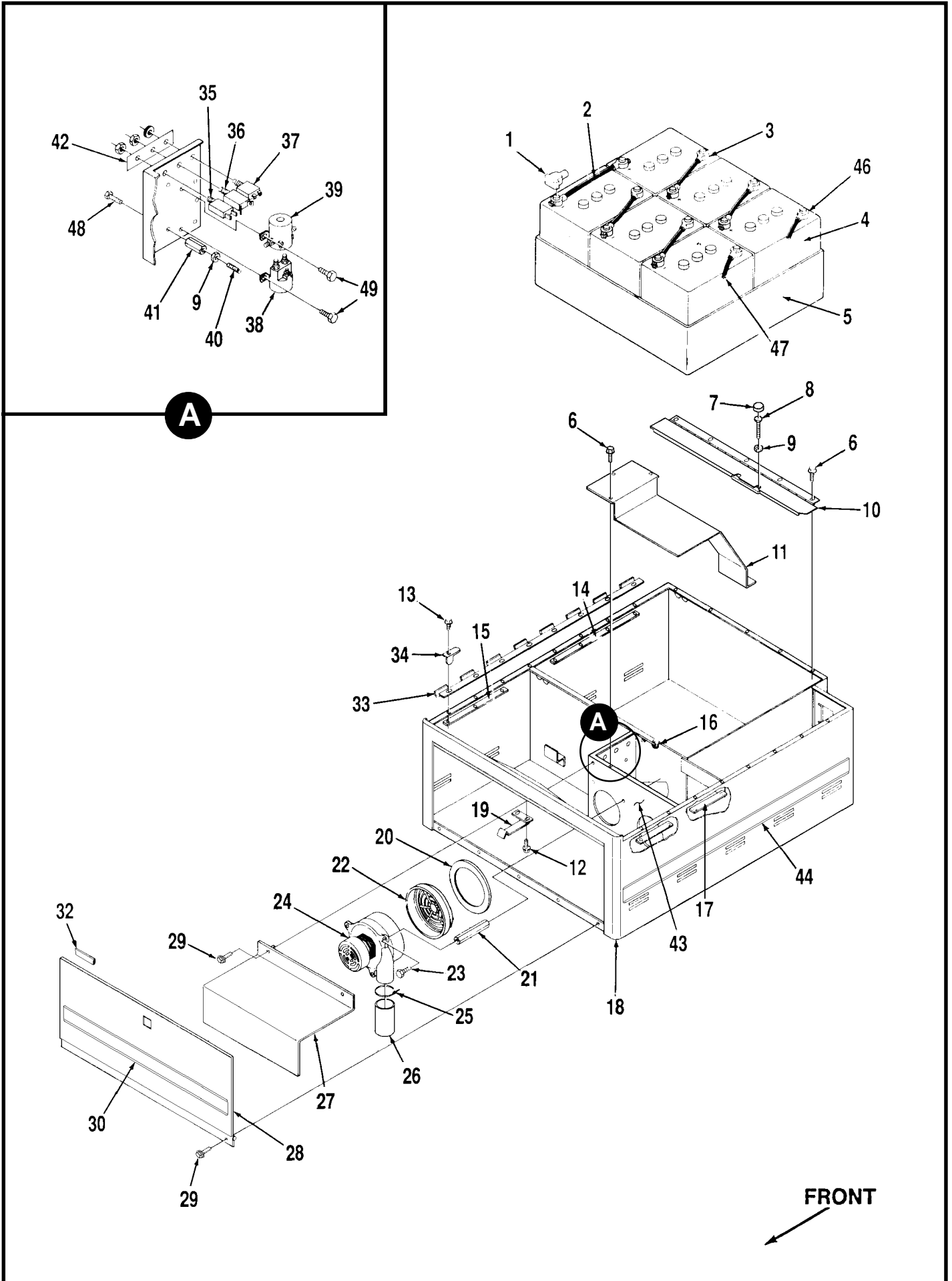
SKIRTS

| Item | Ref. No. | Qty | Description | Item | Ref. No. | Qty | Description |
|------|----------|-----|--|----------|----------|--|---|
| | 56395019 | 1 | Left Skirt Assy 32B, 32BD (#1-15 ex 2,11,12) | 56395930 | 1 | Left Skirt Assy 320 BHD (#17-34) Note #2 | |
| * | 56395023 | 1 | Right Skirt Assy 32B, 32BD (#1-15 ex 2,13,14) | * | 56395940 | 1 | Right Skirt Assy 320 BHD (#17-34) Note #2 |
| | 56395075 | 1 | Left Skirt Assy 38BD (#1-15 ex 2,11,12) | 56404126 | 1 | Left Skirt Assy 380 BHD (#17-34) | |
| * | 56395079 | 1 | Right Skirt Assy 38BD (#1-15 ex 2,13,14) | * | 56404118 | 1 | Right Skirt Assy 380 BHD (#17-34) |
| 1 | 56395021 | 1 | Left Guard 32B, 32BD | 17 | 56395943 | 1 | Left Guard 320 BHD Note #2 |
| * | 56395025 | 1 | Right Guard 32B, 32BD | * | 56395929 | 1 | Right Guard 320 BHD Note #2 |
| | 56395077 | 1 | Left Guard 38BD | | 56404130 | 1 | Left Guard 380 BHD |
| * | 56395080 | 1 | Right Guard 38BD Note #1 | * | 56404124 | 1 | Right Guard 380 BHD |
| 2 | 56360147 | 2 | Brass Pin | 18 | 56360147 | 2 | Brass Pin |
| 3 | 56381349 | 2 | Skirt 32B, 32BD | 19 | 56404215 | 2 | Skirt (380 BHD only) |
| | 56400289 | 2 | Skirt 38BD | 20 | 56395939 | 2 | Skirt 320 BHD Note #2 |
| 4 | 56381330 | 2 | Strap 32B, 32BD | | 56400289 | 2 | Skirt 380 BHD |
| | 56400262 | 2 | Strap 38BD | 21 | 56395935 | 2 | Strap 320 BHD Note #2 |
| 5 | 56002717 | 20 | #10-24 x 7/16 HP-5 Screw | | 56404220 | 2 | Strap 380 BHD |
| 6 | 56324350 | 2 | Wheel 32B, 32BD | 22 | 56404222 | 4 | Screw (380 BHD only) |
| | 56363855 | 2 | Wheel 38BD | 23 | 56372929 | 22 | Screw (18 on 380 BHD) |
| 7 | 56371009 | 2 | Washer | 24 | 56372740 | 2 | Roller |
| 8 | 56362107 | 2 | Bumper Strap | 25 | 56002529 | 2 | Cotter Pin |
| 9 | 56404122 | 2 | Bumper | 26 | 56362107 | 2 | Bumper Strap |
| 10 | 56360139 | 2 | Bushing | 27 | 56404122 | 2 | Bumper |
| 11 | 56342564 | 1 | Plate | 28 | 56578214 | 2 | Lock Pin Assy (#28-32) |
| 12 | 56900619 | 2 | #8-32 x 1/4 HP-5 Screw | 29 | 56578226 | 2 | Pin |
| 13 | 56003017 | 2 | #6-32 x 1/4 HP-5 Screw | 30 | 56578222 | 2 | Spring |
| 14 | 56471194 | 1 | Latch | 31 | 56578216 | 2 | Socket |
| 15 | 56002019 | 2 | 1/4-20 x 1-1/2 Screw | 32 | 56578218 | 2 | Nut |
| 16 | 56365548 | 2 | Pin Lock (old style, still available) | 33 | 56362778 | 2 | Knob |
| | | | | 34 | 56372882 | 2 | Pin |

* = Not Shown

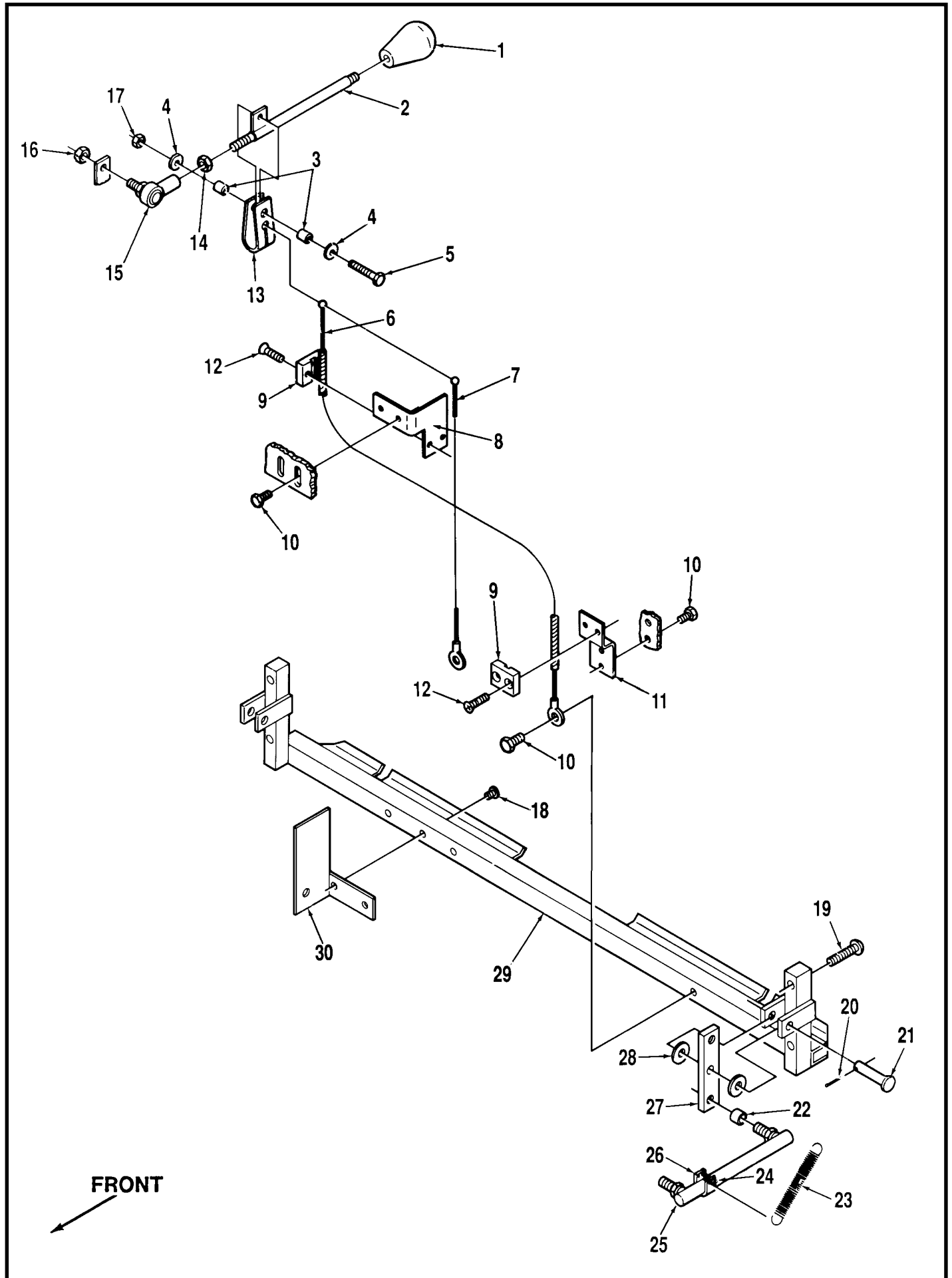
Note #1 : Machines with bent and loose fitting brush skirts can be upgraded to a new hook latch. Order part number 56801026, Brush Skirt Latch Kit.

Note #2 : This part is used only on the 320BHD and in the 32BD Heavy Duty Kit PN 56395985.



BATTERY HOUSING

| Item | Ref. No. | Qty | Description | Item | Ref. No. | Qty | Description |
|------|----------|-----|------------------------------------|------|----------|-----|-------------------------------|
| 1 | 56372673 | 12 | Battery Terminal Boot | 31 | | | Omitted Intentionally |
| 2 | 56363936 | 2 | Battery Cable 15" TSB 730 | 32 | 56385248 | 3' | Gasket (93 cm) |
| 3 | 56363928 | 3 | Battery Cable 10" TSB 730 | 33 | 56381070 | 2 | Hinge |
| 4 | 56376014 | 6 | 244 AH 6V Battery (not included) | 34 | 56381053 | 4 | Hinge Clip |
| 5 | 56395136 | 1 | Battery Tray | 35 | 56387316 | 1 | Circuit Breaker 10A (control) |
| 6 | 56002829 | 10 | #10-24 x 5/8 Screw | 36 | 56454423 | 1 | Circuit Breaker 30A (vac) |
| 7 | 56401788 | 4 | Snap Cap | 37 | 56454429 | 1 | Circuit Breaker 70A (brush) |
| 8 | 56401783 | 4 | Leveler | 38 | 56395450 | 1 | Solenoid (brush) |
| 9 | 56002040 | 6 | 1/4-20 Jam Nut | * | 56389265 | 1 | Diode |
| 10 | 56395071 | 1 | Cover | 39 | 56395452 | 1 | Solenoid (vac) |
| 11 | 56395038 | 1 | Belt Guard | * | 56389265 | 1 | Diode |
| 12 | 56002519 | 2 | #10-24 x 3/8 HP-5 Screw | 40 | 56150274 | 2 | Stud |
| 13 | 56002503 | 16 | #10-24 x 1/2 Screw | 41 | 56469858 | 2 | Stand-Off |
| 14 | 56385414 | 2 | Nut Plate | 42 | 56016606 | 1 | Decal, Circuit Breaker |
| 15 | 56386286 | 1 | Nut Plate | 43 | 56395121 | 1 | Plenum TSB 530, G-6 |
| 16 | 56740200 | 2 | Strain Relief | 44 | 56015543 | 1 | Decal, Left 32B |
| 17 | 56395206 | 2 | Nut Plate | * | 56015540 | 1 | Decal, Right 32B |
| 18 | 56395069 | 1 | Battery Housing 32B, 32BD, 38BD | | 56015544 | 1 | Decal, Left 32BD |
| | 56395911 | 1 | Battery Housing 320BHD, 380BHD | * | 56015541 | 1 | Decal, Right 32BD |
| 19 | 56372700 | 1 | Door Latch | | 56015545 | 1 | Decal, Left 38BD |
| 20 | 56385437 | 2 | Gasket | * | 56015542 | 1 | Decal, Right 38BD |
| 21 | 56395977 | 6 | Stand-Off | | 56015557 | 2 | Decal, Side 380BHD |
| 22 | 56384898 | 2 | Filter | 45 | | | Omitted Intentionally |
| 23 | 56002689 | 6 | 1/4-20 x 3-1/2 Bolt | 46 | 56395070 | 1 | Battery Cable TSB 730 |
| 24 | 56395875 | 2 | Vacuum Motor | 47 | 56372524 | 1 | Battery Cable TSB 730 |
| | 56395882 | 2 | Vacuum Motor Assy | 48 | 56002933 | 2 | 1/4-20 x 3/8 Screw |
| | 56377001 | 1 | Carbon Brush Set for Vac Motor | 49 | 56001854 | 4 | 1/4-20 x 1/2 Screw |
| | 56228051 | 2 | Vac Motor Bearings | | | | * = Not Shown |
| | 56372588 | 2 | Rotating Fan for Vac Motor | | | | |
| 25 | 56477613 | 2 | Cable Tie | | | | |
| 26 | 56391807 | 2 | Foam | | | | |
| 27 | 56395883 | 1 | Shield | | | | |
| 28 | 56395031 | 1 | Door 32B, 32BD, 38BD | | | | |
| | 56395914 | 1 | Door 320BHD, 380BHD | | | | |
| | 56395029 | 1 | Door Assy 32B, 32BD, 38BD | | | | |
| | 56395913 | 1 | Door Assy 320BHD, 380BHD | | | | |
| 29 | 56002513 | 8 | 1/4-20 x 1/2 HP-5 Screw | | | | |
| 30 | 56015538 | 1 | Decal, Front | | | | |



SQUEEGEE CONTROLS & MOUNT ASSEMBLY

| Item | Ref. No. | Qty | Description |
|------|----------|-----|---------------------------------|
| 1 | 56364527 | 1 | Knob |
| 2 | 56395811 | 1 | Rod |
| 3 | 56475411 | 2 | Bushing |
| 4 | 56002098 | 2 | 1/4 Flat Washer |
| 5 | 56001833 | 1 | 1/4-20 x 1-1/2 Screw |
| 6 | 56395091 | 1 | Cable Note #1 |
| 7 | 56395092 | 1 | Cable Note #1 |
| 8 | 56395808 | 1 | Bracket |
| 9 | 56477884 | 2 | Cable Clamp |
| 10 | 56002530 | 6 | 1/4-20 x 3/8 HP-5 Screw |
| 11 | 56395806 | 1 | Bracket |
| 12 | 56002517 | 4 | 1/4-20 x 3/4 HP-5 Flat Hd Screw |
| 13 | 56395093 | 1 | Pivot Note #1 |
| 14 | 56001884 | 1 | 5/16-24 Nut |
| 15 | 56477756 | 1 | Ball Joint |
| 16 | 56002950 | 1 | 5/16-24 Nyl Loc Nut |
| 17 | 56002708 | 1 | 1/4-20 Nyl Loc Nut |
| | 56395858 | 1 | Squeegee Mount Assy (#18-30) |
| 18 | 56002518 | 2 | #10-24 x 3/8 HP-5 Screw |
| 19 | 56002019 | 4 | 1/4-20 x 1-1/2 Screw |
| 20 | 56002363 | 2 | 1/16 x 5/8 Cotter Pin |
| 21 | 56487989 | 2 | Pin |
| 22 | 56320595 | 4 | Bushing |
| 23 | 56395528 | 4 | Spring |
| 24 | 56002183 | 4 | #4-40 x 7/8 Screw |
| * | 56002746 | 4 | #4-40 SS Nyl Loc Nut |
| 25 | 56365289 | 4 | Rod End |
| 26 | 56395534 | 4 | Collar |
| 27 | 56395532 | 2 | Bar |
| 28 | 56150142 | 4 | Washer |
| 29 | 56379430 | 1 | Squeegee Mount |
| 30 | 56395502 | 1 | Bracket |

* = Not Shown

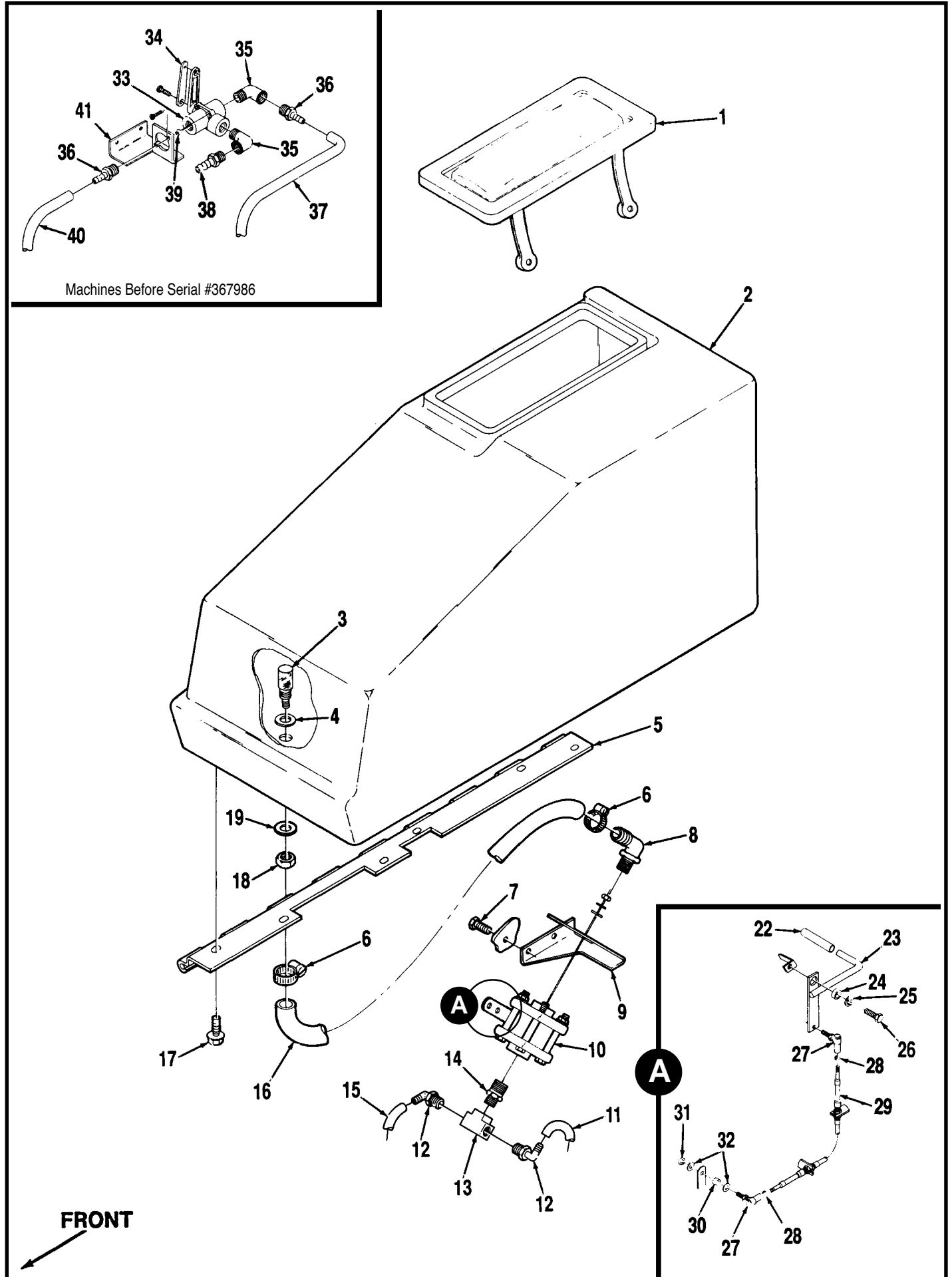
Note #1 : The old style cables (not shown) had eyelets at both ends. To replace, order part number 56395094 Squeegee Cable Kit (pivot yoke pn 56395093 included).

SQUEEGEES

| Item | Ref. No. | Qty | Description | Item | Ref. No. | Qty | Description |
|------|----------|-----|--|------|----------|-----|--|
| | 56395791 | 1 | Squeegee Assembly 32B, 32BD (#1-16) | | 56395950 | 1 | Squeegee Assembly 320 BHD (#17-31) Note #1 |
| | 56395797 | 1 | Squeegee Assembly 38BD (#1-16) | | 56404050 | 1 | Squeegee Assembly 380 BHD (#17-31) |
| 1 | 56395792 | 1 | Squeegee Tool 32B, 32BD | 17 | 56395954 | 1 | Squeegee Tool 320 BHD Note #1 |
| | 56395798 | 1 | Squeegee Tool 38BD | | 56404056 | 1 | Squeegee Tool 380 BHD |
| 2 | 56370711 | 2 | Thumb Nut | 18 | 56370711 | 2 | Thumb Nut |
| 3 | 56001939 | 2 | 5/16 Flat Washer | 19 | 56001939 | 2 | 5/16 Flat Washer |
| 4 | 56400613 | 1 | Gasket | 20 | 56404019 | 2 | Roller Assembly |
| 5 | 56400614 | 2 | Gasket | * | 56404018 | A/R | Bracket, Roller |
| | 56395793 | 1 | Squeegee Cartridge 32B, 32BD (#6-10,14) | * | 56387017 | A/R | Axle |
| | 56395799 | 1 | Squeegee Cartridge 38BD (#6-10,14) | * | 56329554 | A/R | Roller |
| | | | | * | 56290935 | A/R | Nut, Push |
| 6 | 56105560 | 1 | Channel 32B, 32BD | 21 | 56002486 | 4 | #8-32 x 3/8 HP-5 Screw |
| | 56105566 | 1 | Channel 38BD | 22 | 56395956 | 1 | Rear Strap 320 BHD Note #1 |
| 7 | 56105538 | 2 | Blade 32B, 32BD | | 56404062 | 1 | Rear Strap 380 BHD |
| | 56105543 | 2 | Blade 38BD | 23 | 56395952 | 1 | Front Strap 320 BHD Note #1 |
| 8 | 56105561 | 1 | Retainer 32B, 32BD | | 56404025 | 1 | Front Strap 380 BHD |
| | 56105567 | 1 | Retainer 38BD | 24 | 56001954 | 20 | #10 Flat Washer (22 on 380 BHD) |
| 9 | 56003037 | 2 | 1/4-20 x 1/4 Stnlss Stl Screw | 25 | 56002011 | 20 | #10 Shakeproof Washer (22 on 380 BHD) |
| 10 | 56900274 | 2 | 1/4-20 x 1 Stnlss Stl Screw | 26 | 56209491 | 20 | #10-24 x 5/8 SS Screw (22 on 380 BHD) |
| 11 | 56371009 | 4 | Washer | 27 | 56377766 | 2 | Angle |
| 12 | 56157060 | 2 | Retainer Ring | 28 | 56395963 | 1 | Oil Resistant Blade Kit 320 BHD |
| 13 | 56324499 | 2 | Wheel | | 56395964 | 1 | Gum Rubber Blade Kit 320 BHD |
| 14 | 56201677 | 2 | 1/4-20 Locking Wing Nut | | 56404024 | 1 | Oil Resistant Blade Kit 380 BHD |
| 15 | 56002098 | 2 | 1/4 Flat Washer | | 56404023 | 1 | Gum Rubber Blade Kit 380 BHD |
| 16 | 56387376 | 2 | Roller | 29 | 56371009 | 4 | Washer |
| | | | | 30 | 56157060 | 2 | Retainer Ring |
| | | | | 31 | 56324499 | 2 | Wheel |

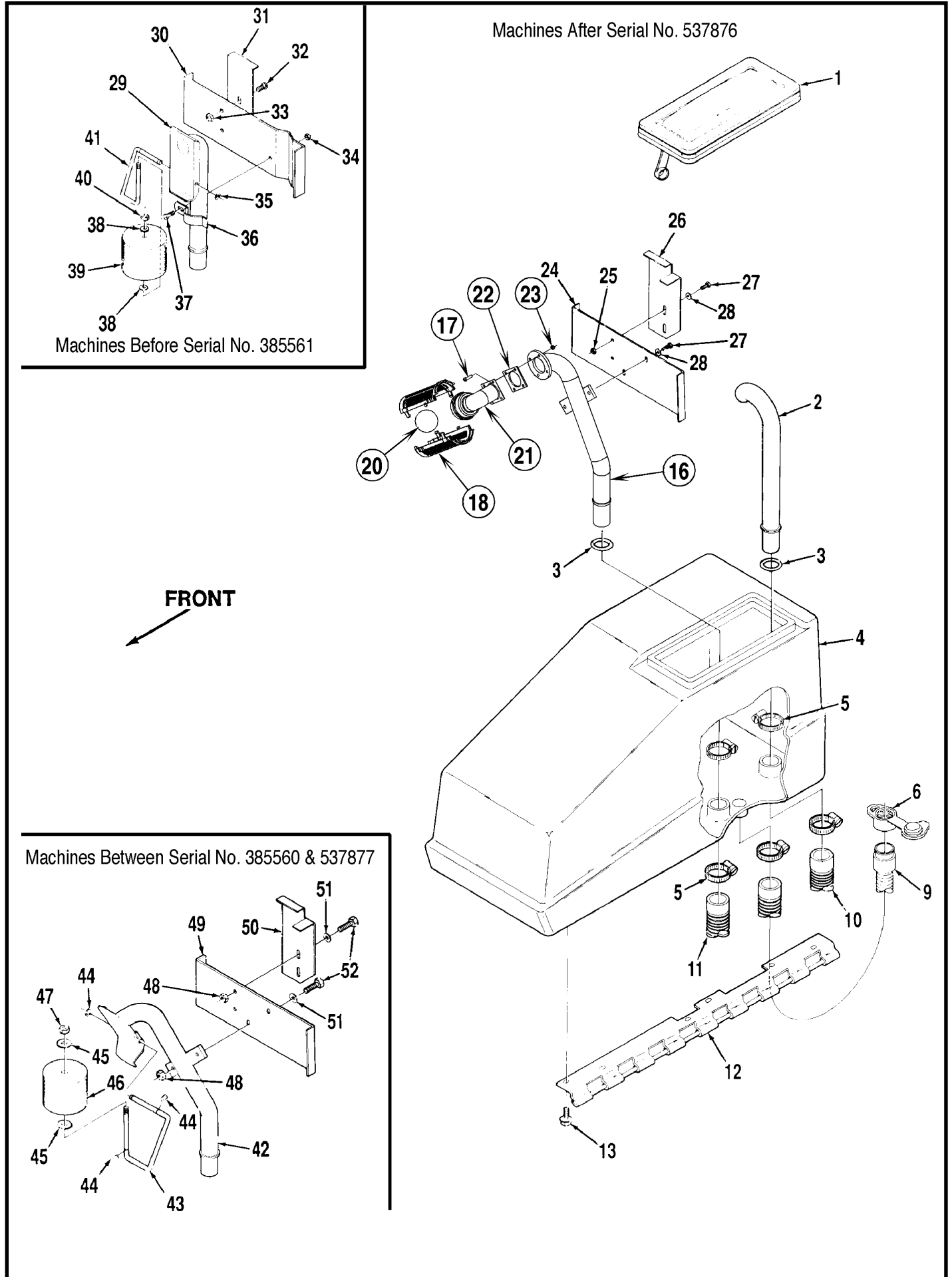
* = Not Shown

Note #1: This part is used only on the 320BHD and in the 32BD Heavy Duty Kit PN 56395985.



SOLUTION SYSTEM

| Item | Ref. No. | Qty | Description | Item | Ref. No. | Qty | Description |
|------|----------|-----|------------------------------------|------|----------|-----|-----------------------------|
| 1 | 56395916 | 1 | Cover Assembly | 20 | | | Omitted Intentionally |
| | 56261381 | 1 | Cover | 21 | | | Omitted Intentionally |
| | 56263379 | 2 | Strap | 22 | 56376486 | 1 | Cap |
| 2 | 56395847 | 1 | Solution Tank | 23 | 56395829 | 1 | Lever |
| 3 | 56395909 | 1 | Screen | 24 | 56185263 | 1 | Bushing |
| 4 | 56368776 | 1 | Rubber Washer | 25 | 56002220 | 1 | 5/16 Flat Washer |
| 5 | 56404529 | 1 | Hinge | 26 | 56002037 | 1 | 5/16-18 X 7/8 Bolt |
| 6 | 56219932 | 2 | Hose Clamp | 27 | 56488290 | 2 | Ball Joint |
| 7 | 56002513 | 2 | 1/4-20 X 1/2 HP-5 Screw | 28 | 56002040 | 2 | 1/4-20 Jam Nut |
| 8 | 56391678 | 1 | Barb | 29 | 56395877 | 1 | Cable |
| | 56395965 | 1 | Solution Valve Assembly (#9-15) | 30 | 56163872 | 1 | Bushing |
| 9 | 56395966 | 1 | Valve Mount | 31 | 56002708 | 1 | 1/4-20 Nyl-Lock Nut |
| 10 | 56391686 | 1 | Solution Valve TSB 553, G-3 | 32 | 56001906 | 2 | 1/4 Flat Washer |
| | | | TSB 500, G-8 | 33 | 56454612 | 1 | Solution Valve TSB 553, G-3 |
| 11 | 56391802 | 1 | Solution Hose 29" | | | | TSB 500, G-8 |
| 12 | 56900035 | 2 | Barb | 34 | 56391836 | 1 | Strap |
| 13 | 56900291 | 1 | Tee | 35 | 56742125 | 2 | Elbow |
| 14 | 56900639 | 1 | Nipple | 36 | 56749202 | 2 | Barb |
| 15 | 56456830 | 1 | Solution Hose 10" | 37 | 56395843 | 1 | Tube |
| 16 | 56395870 | 1 | Solution Hose | 38 | 56118117 | 1 | Barb |
| 17 | 56001861 | 6 | 1/4-20 X 3/8 Screw | 39 | 56200123 | 2 | Bushing |
| 18 | 56002847 | 1 | 5/8-11 Nut | 40 | 56395869 | 1 | Tube |
| 19 | 56263381 | 1 | Brass Washer | 41 | 56395830 | 1 | Valve Mount |

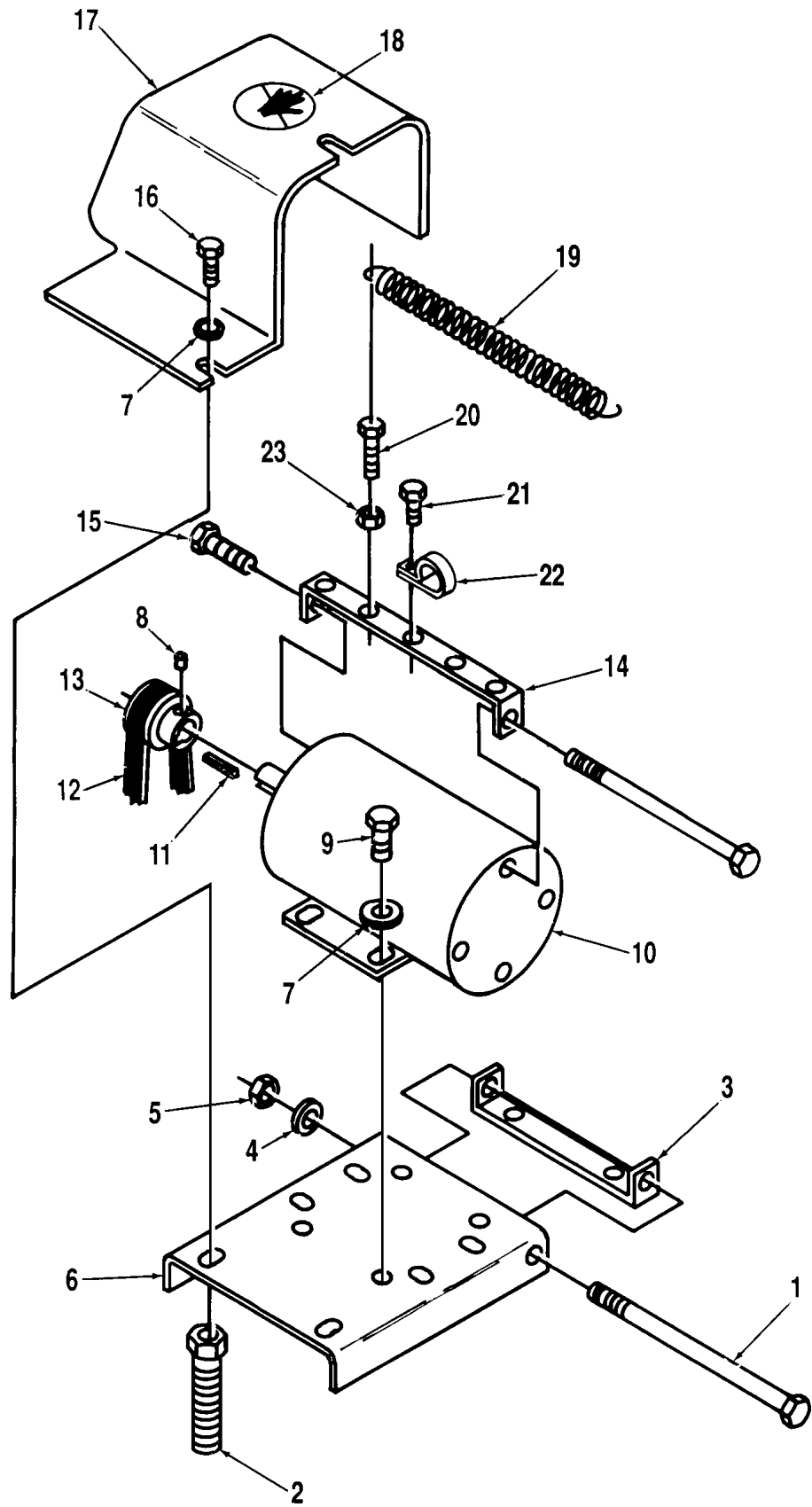


RECOVERY SYSTEM

| Item | Ref. No. | Qty | Description | Item | Ref. No. | Qty | Description |
|------|----------|-----|------------------------------|------|----------|-----|-------------------------------|
| 1 | 56261393 | 1 | Cover Assembly | 26 | 56395903 | 1 | Support Note #2 |
| | 56261395 | 1 | Cover | 27 | 56002807 | 4 | 1/4-20 X 3/4 Stnlss Stl Screw |
| | 56261398 | 1 | Gaske TSB 532, G-5 | 28 | 56002859 | 4 | 1/4 Stnlss Stl Flat Washer |
| | 56263379 | 2 | Strap | 29 | 56395853 | 1 | Float Tube Note #1 |
| 2 | 56395849 | 1 | Tube | 30 | 56395902 | 1 | Baffle |
| 3 | 56900098 | 2 | O-Ring | 31 | 56395903 | 1 | Support |
| 4 | 56395845 | 1 | Recovery Tank | 32 | 56002723 | 2 | 1/4-20 X 3/4 Brass Screw |
| 5 | 56440213 | 5 | Hose Clamp | 33 | 56002718 | 2 | 1/4-20 Brass Nut |
| 6 | 56324180 | 1 | Drain Plug | 34 | 56002836 | 1 | #10-24 Stnlss Stl Nut |
| * | 56324349 | 1 | Hook | 35 | 56321125 | 3 | Retainer Ring |
| 7 | | | Intentionally Omitted | 36 | 56376493 | 1 | Clamp |
| 8 | | | Intentionally Omitted | 37 | 56209489 | 1 | #10-24 X 1 Screw |
| 9 | 56395865 | 1 | Drain Hose | 38 | 56150142 | 2 | Flat Washer |
| 10 | 56379208 | 1 | Squeegee Hose | 39 | 56385198 | 1 | Float |
| 11 | 56365626 | 1 | Vacuum Motor Hose | 40 | 56150975 | 1 | Lock Nut |
| 12 | 56404529 | 1 | Hinge | 41 | 56391723 | 1 | Float Rod Note #1 |
| 13 | 56001861 | 6 | 1/4-20 X 3/8 Screw | 42 | 56395959 | 1 | Float Tube Note #1 |
| 14 | | | Omitted Intentionally | 43 | 56395961 | 1 | Float Rod Note #1 |
| 15 | | | Omitted Intentionally | 44 | 56321125 | 3 | Retainer Ring |
| 16 | 56395975 | 1 | Float Tube | 45 | 56454626 | 2 | Flat Washer |
| 17 | 56002894 | 4 | Scr, Pan Phil SS 10-24 x .75 | 46 | 56385349 | 1 | Float |
| 18 | 56324497 | 2 | Float Cage | 47 | 56150975 | 1 | Lock Nut |
| 19 | | | Omitted Intentionally | 48 | 56002718 | 4 | 1/4-20 Brass Nut |
| 20 | 56391690 | 1 | Float Ball | 49 | 56395960 | 1 | Baffle |
| 21 | 56324012 | 1 | Float Elbow | 50 | 56395903 | 1 | Support |
| 22 | 56391644 | 1 | Gasket | 51 | 56002536 | 4 | 1/4 Brass Flat Washer |
| 23 | 56002836 | 4 | #10-24 Stnlss Stl Nut | 52 | 56002723 | 4 | 1/4-20 X 3/4 Brass Screw |
| 24 | 56395960 | 1 | Baffle | | | | |
| 25 | 56002491 | 2 | 1/4-20 Stnlss Stl Nut | | | | * = Not Shown |

Note #1 : Obsolete part numbers, to replace, order part number 56395200 Float Kit (includes #3, 16-28).

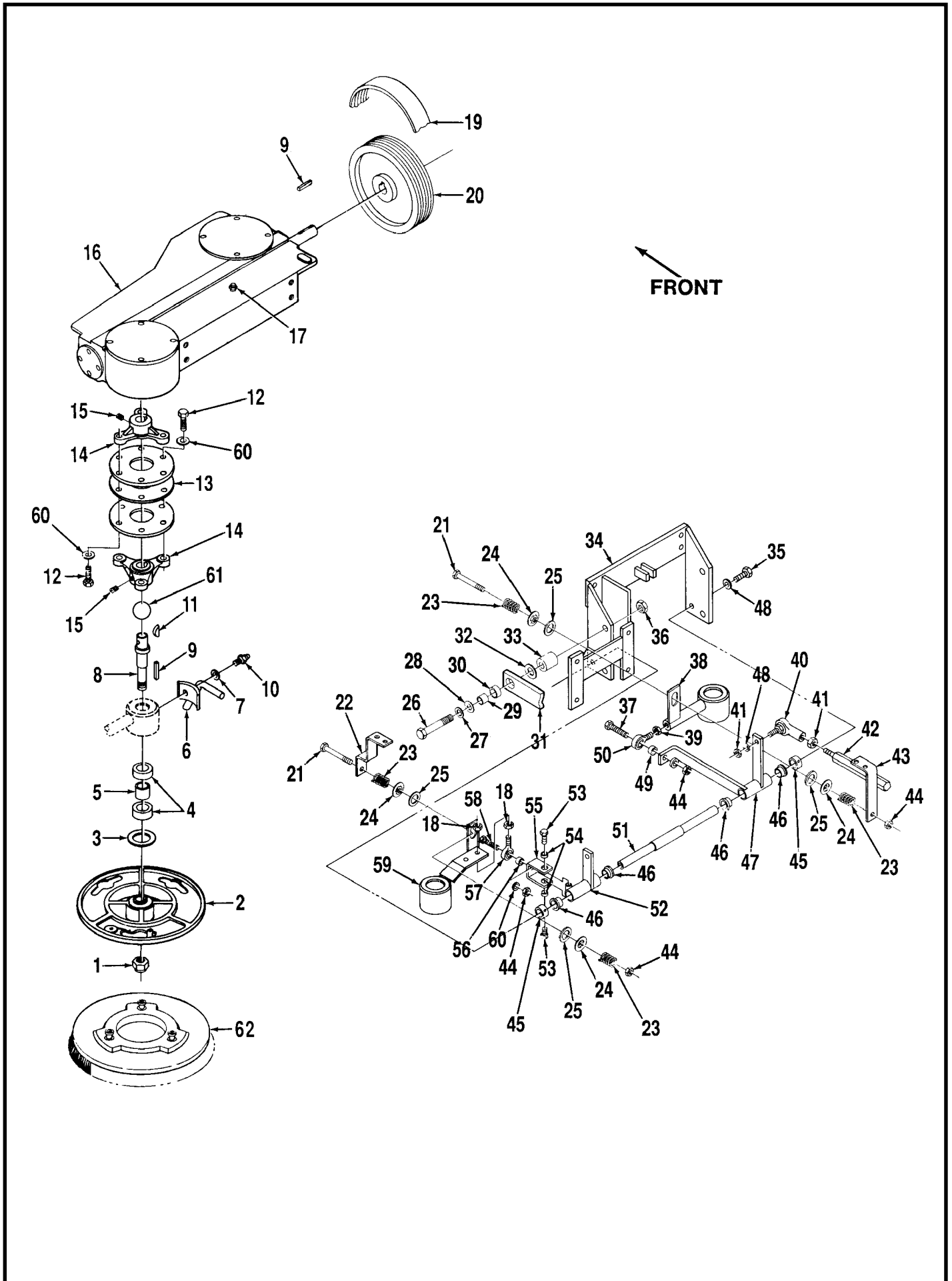
Note #2 : Support brace used on machines after serial #371508. Add to earlier model machines to improve vacuum cover seal.

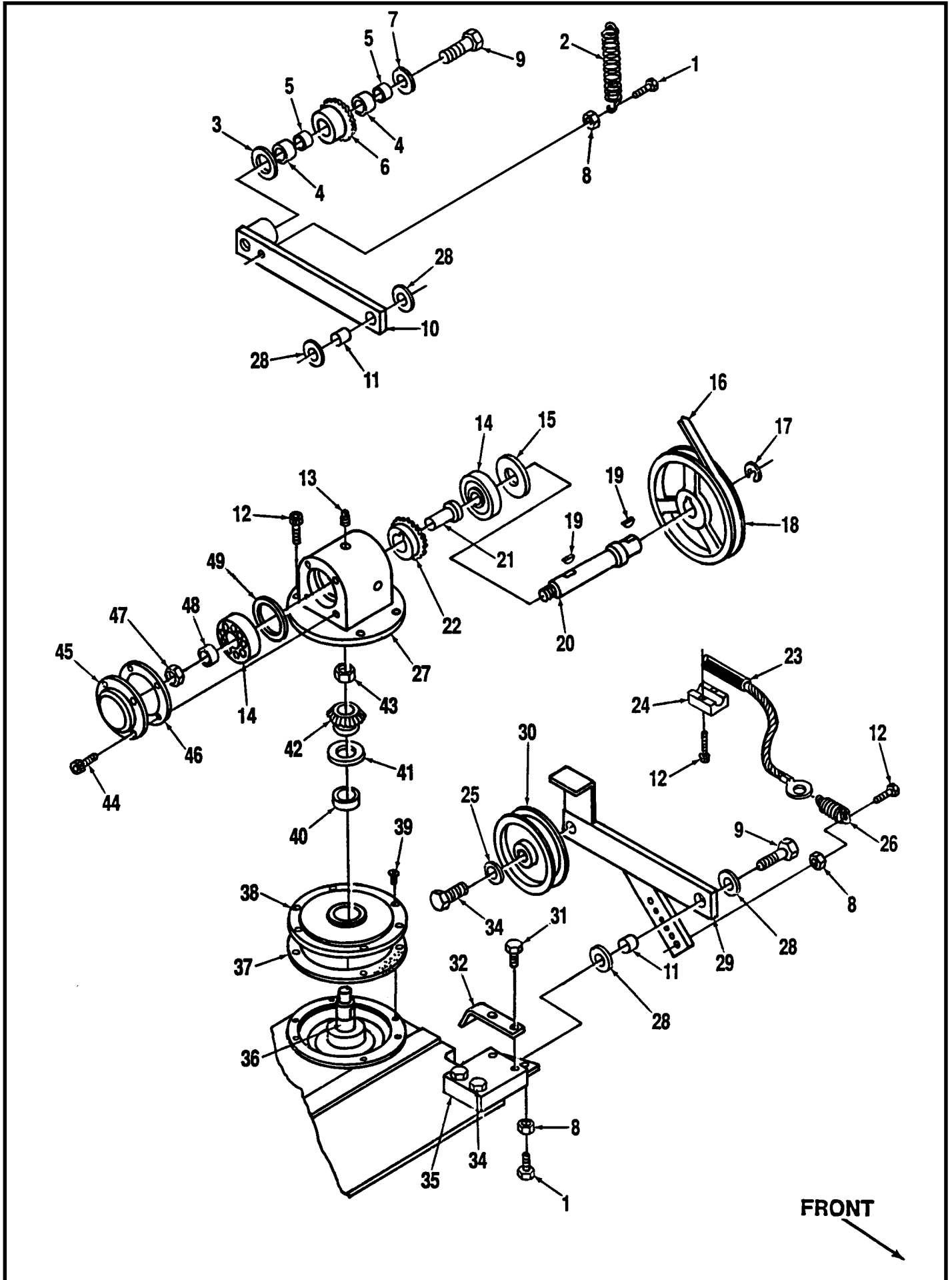


FRONT
↙

BRUSH DRIVE MOTOR

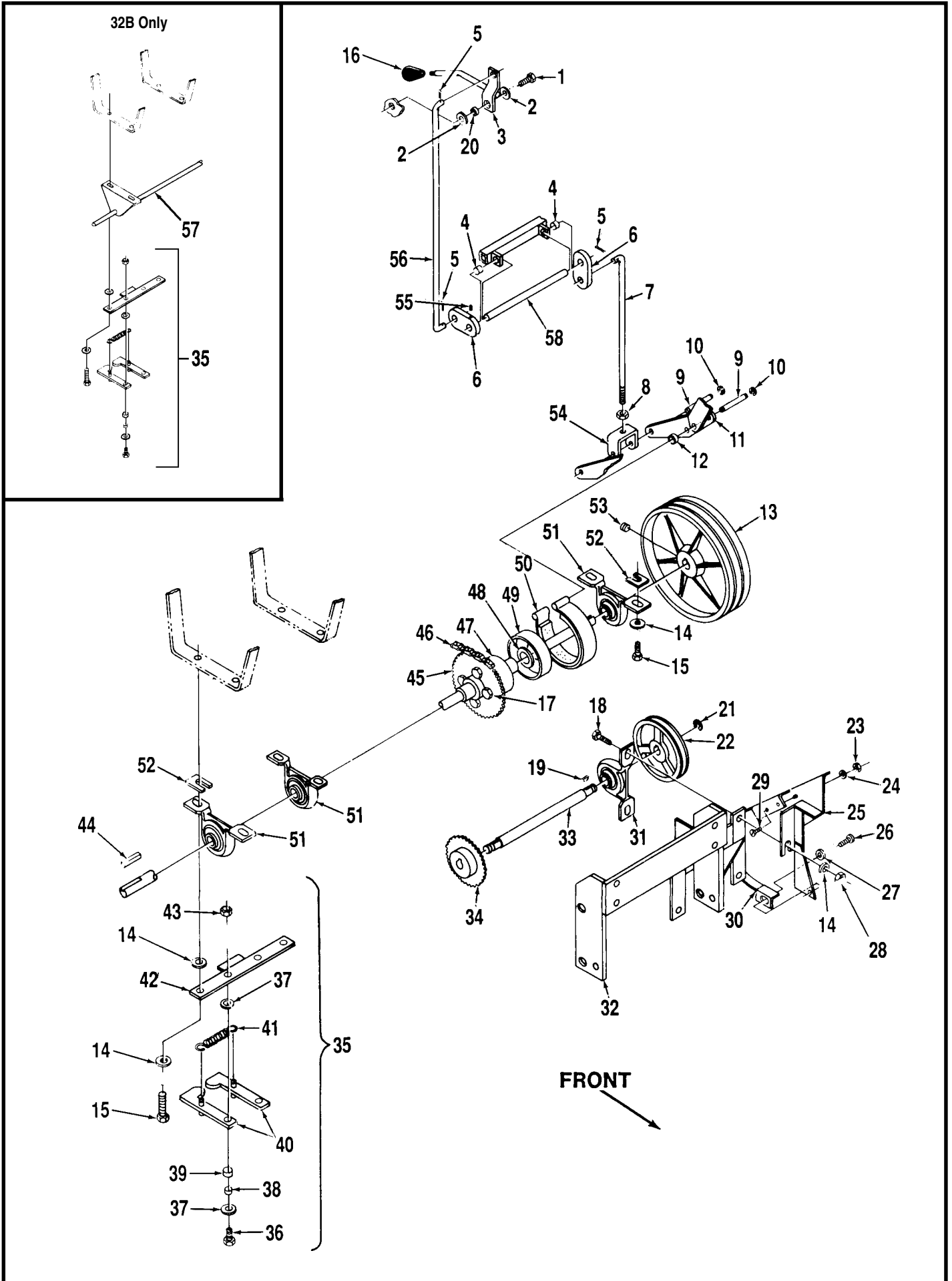
| Item | Ref. No. | Qty | Description |
|------|----------|-----|--------------------------------|
| 1 | 56378692 | 1 | Bolt |
| 2 | 56378631 | 2 | Adjustment Screw |
| 3 | 56395044 | 1 | Mount Bracket |
| 4 | 56002063 | 1 | 3/8 Flat Washer |
| 5 | 56002769 | 1 | 3/8-16 Nyl Loc Nut |
| 6 | 56395007 | 1 | Mounting Plate |
| 7 | 56001939 | 5 | 5/16 Flat Washer |
| 8 | 56001826 | 2 | 5/16-18 x 1/2 Set Screw |
| 9 | 56002667 | 4 | 5/16-18 x 3/4 Bolt |
| 10 | 56454454 | 1 | Brush Drive Motor |
| | 56448729 | 1 | Carbon Brush Set for Motor |
| 11 | 56443719 | 1 | 3/16 x 1-5/16 Key |
| 12 | 56378853 | 1 | Belt 32B, 32BD, 320BHD |
| | 56378852 | 1 | Belt 38BD, 380BHD |
| 13 | 56379730 | 1 | Sheave 32B, 32BD, 320BHD |
| | 56379736 | 1 | Sheave 38BD, 380BHD |
| 14 | 56379732 | 1 | Bracket |
| 15 | 56002933 | 1 | 1/4-20 x 3/8 Screw |
| 16 | 56001862 | 1 | 5/16-18 x 1/2 Bolt |
| 17 | 56395073 | 1 | Belt Guard (fits all machines) |
| 18 | 56030080 | 1 | Decal, Hands Clear |
| 19 | 56371114 | 1 | Spring |
| 20 | 56001833 | 1 | 1/4-20 x 1-1/2 Screw |
| 21 | 56001854 | 2 | 1/4-20 x 1/2 Screw |
| 22 | 56328064 | 1 | Clamp |
| 23 | 56002040 | 1 | 1/4-20 Jam Nut |





TRANSPORT DRIVE

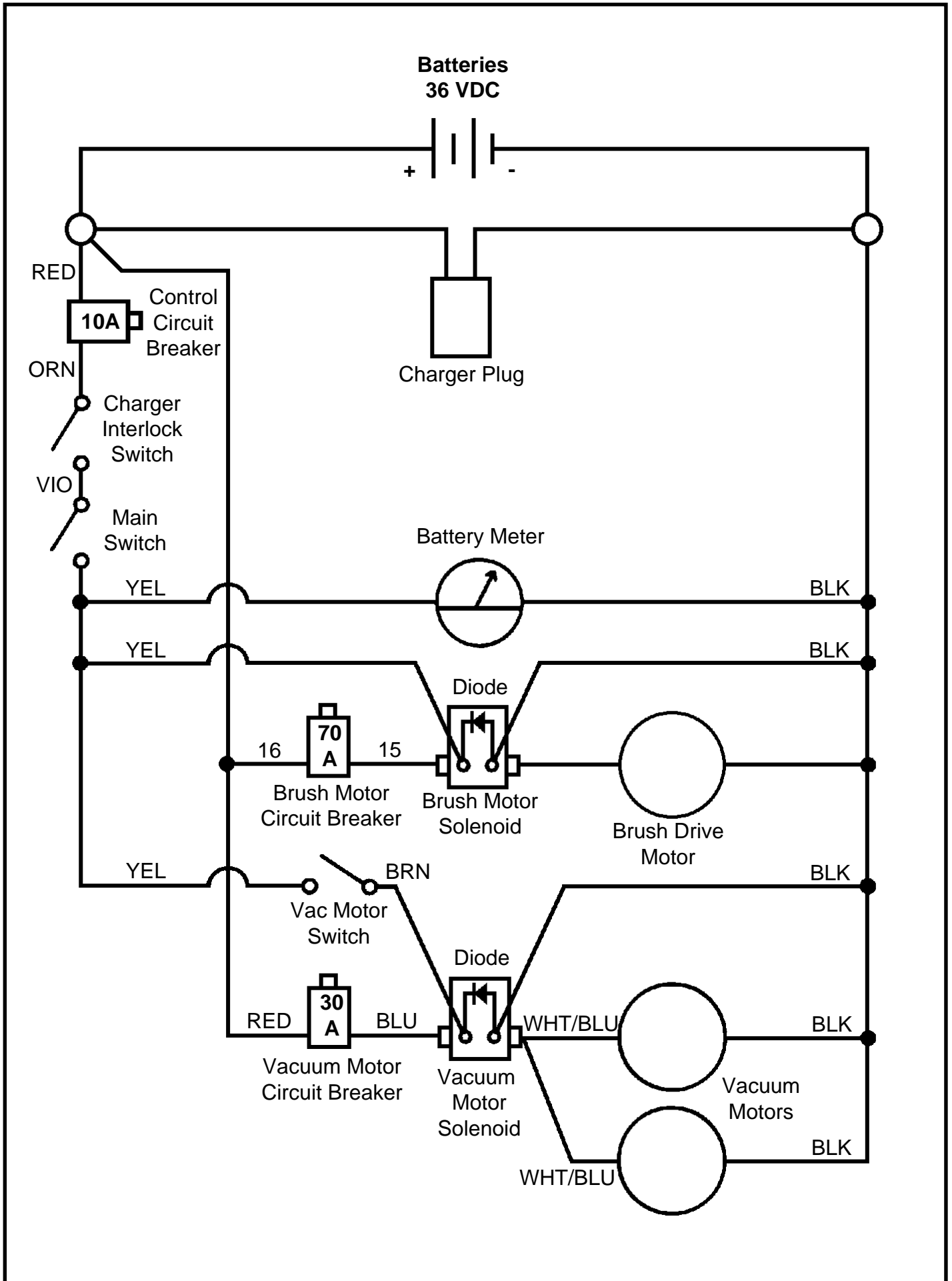
| Item | Ref. No. | Qty | Description | Item | Ref. No. | Qty | Description |
|------|----------|-----|---------------------|------|----------|-----|------------------------------|
| 1 | 56002155 | 2 | 1/4-20 x 3/4 Screw | 28 | 56002168 | 4 | 1/2 Flat Washer |
| 2 | 56370746 | 1 | Spring | 29 | 56390720 | 1 | Tension Arm |
| 3 | 56367184 | 1 | Washer | 30 | 56390682 | 1 | Pulley |
| 4 | 56367168 | 2 | Bearing | 31 | 56001854 | 2 | 1/4-20 x 1/2 Screw |
| 5 | 56367206 | 2 | Bushing | 32 | 56390828 | 1 | Belt Guide |
| 6 | 56390992 | 1 | Sprocket | 33 | | | Omitted Intentionally |
| 7 | 56367214 | 5 | Washer | 34 | 56002095 | 3 | 3/8-16 x 1 1/2 Bolt |
| 8 | 56002040 | 3 | 1/4-20 Jam Nut | 35 | 56390704 | 1 | Mounting Block |
| 9 | 56001920 | 2 | 1/2-13 x 2-1/4 Bolt | 36 | 56444650 | 1 | Shaft |
| 10 | 56390933 | 1 | Idler Arm | 37 | 56366684 | A/R | Red Shim |
| 11 | 56360627 | 2 | Bushing | | 56366692 | A/R | Blue Shim |
| 12 | 56002093 | 6 | 1/4-20 x 1 Screw | | 56366706 | A/R | Pink Shim |
| 13 | 56366269 | 1 | Plug | 38 | 56444693 | 1 | Cap |
| 14 | 56108537 | 2 | Ball Bearing | 39 | 56002755 | 2 | 1/4-20 x 1/2 Flat Head Screw |
| 15 | 56444723 | 1 | Grease Seal | 40 | 56378275 | 1 | Grease Seal |
| 16 | 56465430 | 1 | Belt | 41 | 56444839 | 1 | Shim |
| 17 | 56478775 | 1 | Retaining Ring | 42 | 56109088 | 1 | Gear |
| 18 | 56344044 | 1 | Sheave | 43 | 56002708 | 1 | 1/4-20 Ny-Loc Nut |
| 19 | 56154083 | 2 | Key | 44 | 56001836 | 4 | 1/4-20 x 5/8 Screw |
| 20 | 56391042 | 1 | Shaft | 45 | 56444715 | 1 | End Cap |
| 21 | 56444707 | 1 | Spacer | 46 | 56378488 | A/R | Red Shim |
| 22 | 56109088 | 1 | Gear | | 56378496 | A/R | Blue Shim |
| 23 | 56395789 | 1 | Cable | | 56378518 | A/R | Pink Shim |
| 24 | 56477884 | 2 | Cable Clamp | 47 | 56002952 | 1 | 9/16-18 Ny-Loc Nut |
| 25 | 56002055 | 1 | 3/8 Flat Washer | 48 | 56444677 | 1 | Spacer |
| 26 | 56112054 | 1 | Spring | 49 | 56444731 | 1 | Retaining Ring |
| 27 | 56444634 | 1 | Housing | | | | |



DIFFERENTIAL AND BRAKE

| Item | Ref. No. | Qty | Description | Item | Ref. No. | Qty | Description |
|------|----------|-----|--|------|----------|-----|--------------------------------------|
| 1 | 56001895 | 1 | 1/2-13 x 1 Bolt | 32 | 56395734 | 1 | Bracket 32B |
| 2 | 56367214 | 2 | Washer | | 56395733 | 1 | Bracket 32BD, 320BHD |
| 3 | 56402844 | 1 | Brake Lever | | 56395732 | 1 | Bracket 38BD, 380BHD |
| 4 | 56370754 | 2 | Bearing | 33 | 56391123 | 1 | Shaft 32BD, 320BHD |
| 5 | 56002363 | 3 | 1/16 X 5/8 Cotter Pin | | 56403199 | 1 | Shaft 38BD, 380BHD |
| 6 | 56402922 | 2 | Plate | 34 | 56391182 | 1 | Sprocket |
| 7 | 56395803 | 1 | Lower Rod | 35 | 56395857 | 1 | Centering Assembly (#36-43) |
| 8 | 56002040 | 1 | 1/4-20 Jam Nut | 36 | 56002093 | 2 | 1/4-20 x 1 Screw |
| 9 | 56402995 | 3 | Pin | 37 | 56150142 | 2 | Washer |
| 10 | 56321427 | 6 | Retaining Ring | 38 | 56453849 | 2 | Bushing |
| 11 | 56402990 | 2 | Arm | 39 | 56368970 | 2 | Bearing |
| 12 | 56328022 | 2 | Bushing | 40 | 56395790 | 2 | Arm |
| 13 | 56395233 | 2 | Green Urethane Wheel (std) | 41 | 56395530 | 2 | Spring |
| | 56395240 | 2 | Gray Non-Marking Wheel (opt) 32BD, 38BD, 320BHD, 380BHD | 42 | 56395510 | 1 | Bar |
| * | 56395222 | 2 | Wheel 32B only | 43 | 56002708 | 2 | 1/4-20 Ny-Loc Nut |
| 14 | 56002055 | 14 | 3/8 Flat Washer | 44 | 56340863 | 2 | Key |
| 15 | 56002127 | 10 | 3/8-16 x 3/4 Bolt | 45 | 56395252 | 1 | Sprocket (before 3/95 - TSB 801) |
| 16 | 56364527 | 1 | Knob | | 56395253 | 1 | Sprocket (after 2/95 - TSB 801) |
| 17 | 56468033 | 4 | 5/16-18 x 4-1/2 Bolt | 46 | 56395871 | 1 | Chain |
| 18 | 56002663 | 4 | 3/8-16 x 1 Bolt | * | 56468839 | 1 | Master Link |
| 19 | 56003227 | 2 | Key | * | 56468837 | 1 | Offset Link |
| 20 | 56365030 | 1 | Bushing | 47 | 56395250 | 1 | Differential (before 3/95 - TSB 801) |
| 21 | 56478775 | 2 | Retaining Ring | | 56395251 | 1 | Differential (after 2/95 - TSB 801) |
| 22 | 56344044 | 1 | Sheave | 48 | 56469012 | 1 | Spacer |
| 23 | 56002768 | 2 | #10-24 Ny-Loc Nut | 49 | 56469026 | 1 | Brake Drum |
| 24 | 56002053 | 2 | #10 Flat Washer | 50 | 56402745 | 1 | Brake Strap |
| 25 | 56390623 | 1 | Belt Guide | 51 | 56444308 | 4 | Pillow Block |
| 26 | 56001854 | 1 | 1/4-20 x 1/2 Screw | * | 56101753 | | Grease Zert for PN 56444308 |
| 27 | 56001906 | 1 | 1/4 Flat Washer | 52 | 56390925 | A/R | Shim |
| 28 | 56002769 | 4 | 3/8-16 Ny-Loc Nut | 53 | 56001826 | 2 | 5/16-18 x 1/2 Set Screw |
| 29 | 56002503 | 2 | #10-24 x 1/2 Screw | 54 | 56402971 | 1 | Bracket |
| 30 | 56390887 | 1 | Belt Guide | 55 | 56002930 | 2 | 1/4-20 x 3/8 Set Screw |
| 31 | 56494506 | 2 | Pillow Block | 56 | 56395804 | 1 | Upper Rod |
| | | | | 57 | 56395040 | 1 | Axle 32B |
| | | | | 58 | 56395362 | 1 | Rod |

* = Not Shown



WIRING DIAGRAM

| Ref. No. | Qty | Description |
|-------------|-----|--|
| ** 56376014 | 6 | Battery 244 Amp Hour |
| 56395879 | 1 | Charger Plug |
| 56387316 | 1 | Circuit Breaker 10 Amp, Control Circuit |
| 56376435 | 1 | Charger Interlock Switch |
| 56376348 | 1 | Main Switch |
| 56448677 | 1 | Battery Meter |
| 56454454 | 1 | Brush Drive Motor |
| 56448729 | 1 | Carbon Brush Set For 56454454 Brush Motor |
| 56395450 | 1 | Brush Motor Solenoid |
| 56389265 | 1 | Diode |
| 56454429 | 1 | Circuit Breaker 70 Amp, Brush Motor |
| 56388019 | 1 | Vacuum Motor Switch |
| 56395875 | 2 | Vacuum Motor |
| 56377001 | 1 | Carbon Brush Set For 56395875 Vacuum Motor |
| 56395452 | 1 | Vacuum Motor Solenoid |
| 56389265 | 1 | Diode |
| 56454423 | 1 | Circuit Breaker 30 Amp, Vacuum Motor |

** = Not Included



Nilfisk-Advance, Inc.
14600 21st Avenue North
Plymouth, MN, 55447-3408
www.nilfisk-advance.com
Phone: 800-989-2235
Fax: 800-989-6566
©2000 Nilfisk-Advance, Inc.,
Plymouth, MN 55447-3408
Printed in the U.S.A.