

Whirlamatic™ Twin 2000



PARTS LIST **Advance MODEL 56389100(OBSOLETE)**



Nilfisk
Advance
setting standards

5/90revised 3/01 FORM NO. 56042222

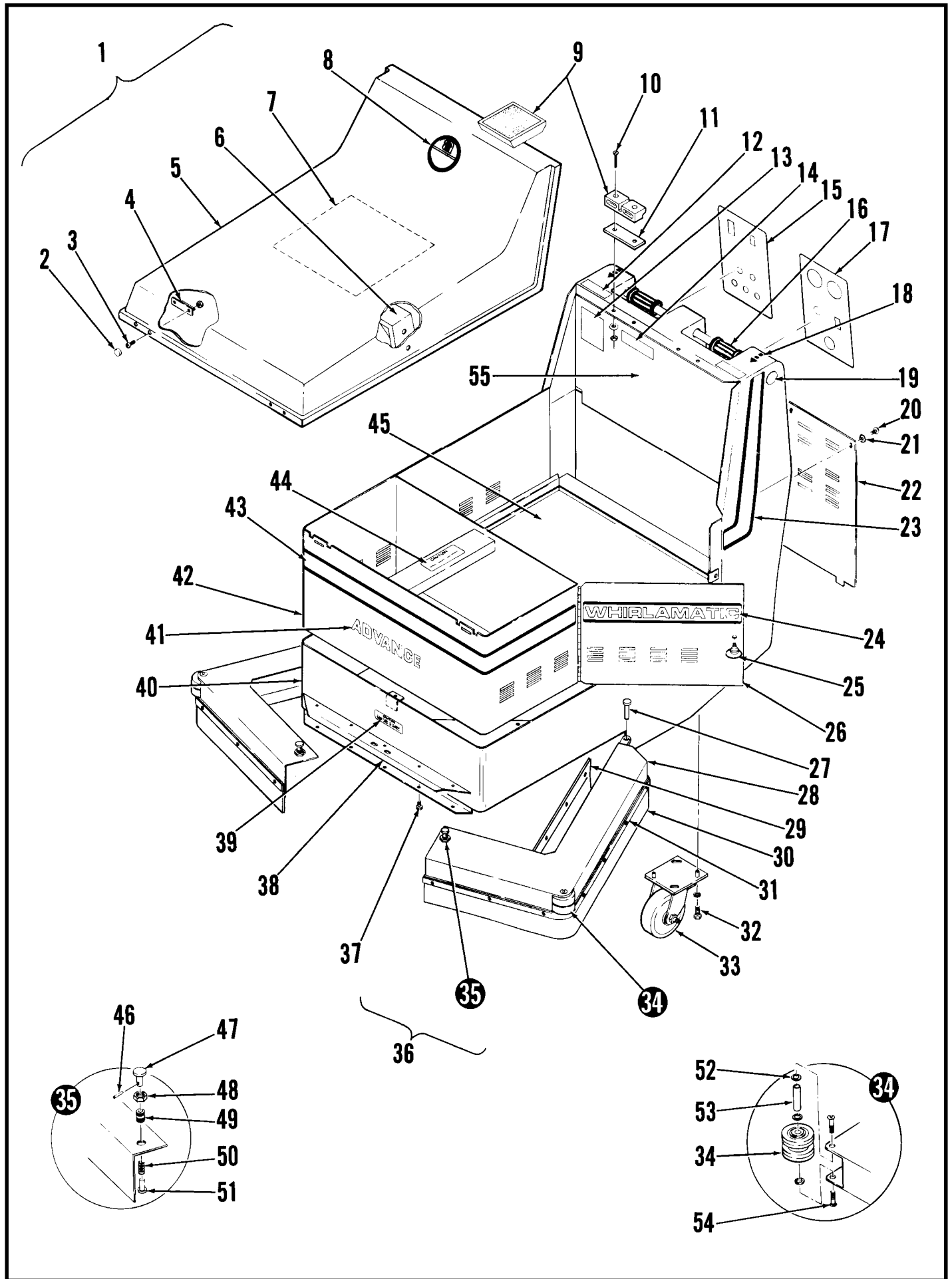
TABLE OF CONTENTS

DESCRIPTION	PAGE
Housing Assembly	1-2
Brush Drive	3-4
Drive Wheel	5-6
Speed Controls	7-8
Wiring diagram	9

WHEN ORDERING PARTS

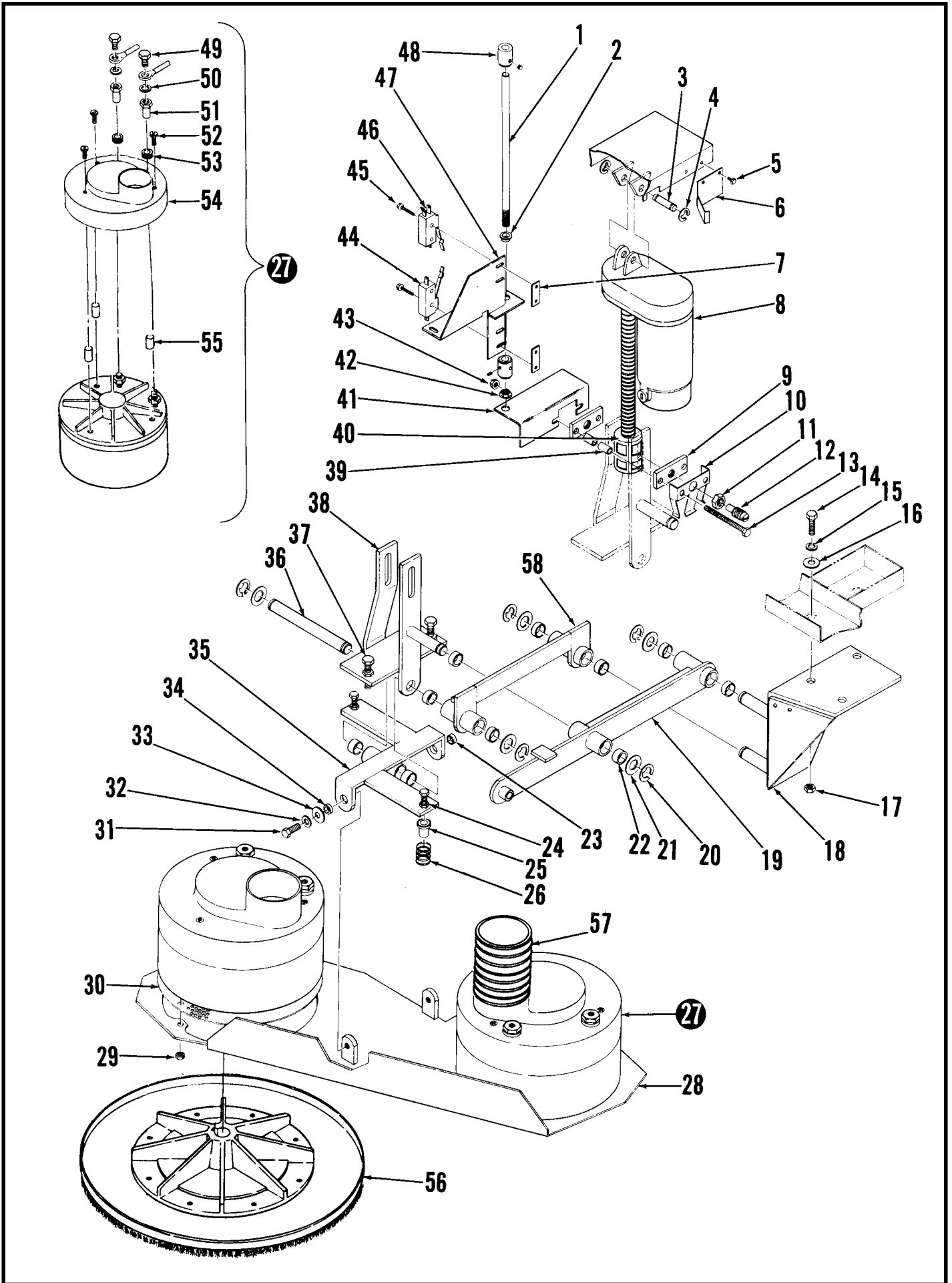
- * Use the 8 digit numbers from the "Part No." columns in this parts list.
- * Specify the model and serial number of the machine.
- * Use the space below to record the model and serial number for future reference.

Model _____ Serial No. _____



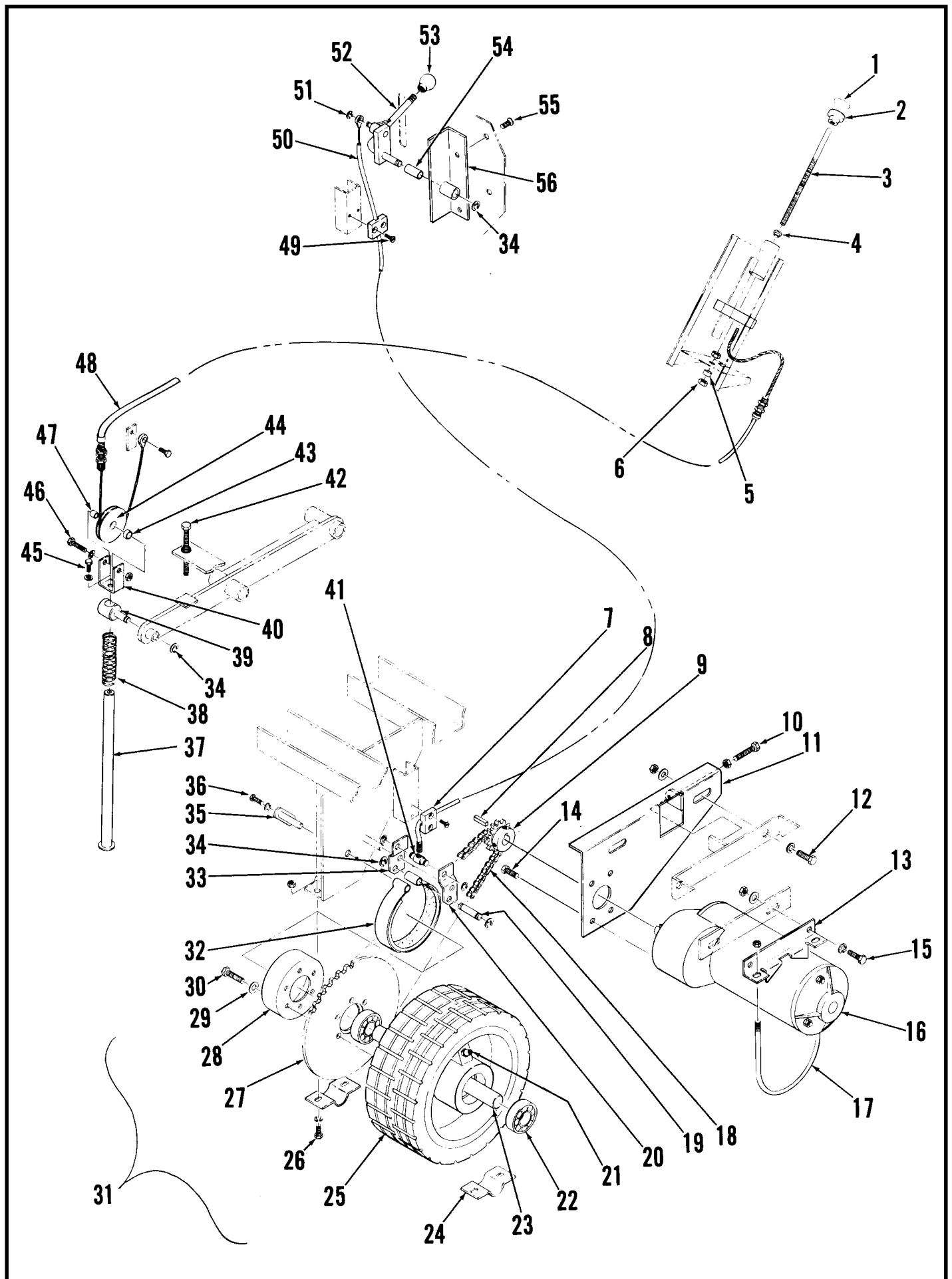
HOUSING

Item	Part No.	Qty	Description	Item	Part No.	Qty	Description
1	56389140	1	Shroud Assy (#2-9)	38	56389139	1	Bracket
2	56387190	4	Snap Cap	39	56016106	1	Decal, Caution
3		4	#10-24 x 3/8 Screw	40	56389144	1	Chassis
4	56389084	2	Bracket	41	56014105	1	Decal, Advance
5	56389149	1	Shroud	42	56389128	1	Battery Housing
6	56388550	1	Channel	43	56014138	1	Decal, Stripe
7	56025280	1	Decal, Electrical	44	56016116	1	Decal, Caution
8	56014143	1	Decal, Logo	45	56389110	1	Battery Tray
9	56389454	1	Draw Latch	46	56201472	1	Pin
10		4	#6-32 x 3/4 Screw	47	56201405	1	Knob
11	56388548	2	Spacer	48	56201413	1	Nut
12	56025294	1	Decal, Warning	49	56201383	1	Socket
13	56016958	1	Decal, Cable Routing	50	56201448	1	Spring
14	56025363	1	Decal, Caution	51	56201391	1	Pin
15	56025283	1	Decal, Control Panel	52	56371009	4	Washer
16	56388543	2	Handle Grip	53	56386823	1	Bushing
17	56025284	1	Decal, Control Panel	54		2	1/4-20 x 1/2 Screw
18	56025286	2	Decal, Arrow	55	56389130	1	Shield
19	56388608	2	Button Plug	56	56389232	4	Battery Cable #4 x 8"
20		6	#10-24 x 3/8 Screw	*	56389238	1	Battery Cable #4 x 25"
21	56449340	6	Washer	*	56389241	1	Battery Cable #4 x 42"
22	56389148	1	Back Panel	*	56389244	1	Battery Cable #4 x 46"
23	56014137	1	Decal, Left Stripe	* = Not Shown			
*	56014139	1	Decal, Right Stripe				
24	56014140	2	Decal, Whirlamatic				
25	56448104	1	Screw Fastener				
26	56389146	1	Door				
27	56360147	2	Pin				
28	56389136	1	Left Guard				
	56389134	1	Right Guard				
29	56389145	1	Plate				
30	56389143	1	Skirt				
31	56389141	1	Strap				
32		8	1/4-20 x 3/4 Screw				
33	56440450	2	Caster				
34	56363855	4	Bumper Wheel				
35	56365548	1	Lock Pin Assy (#46-51)				
36	56389138	1	Left Guard Assy (#28-31, 34, 35)				
	56389132	1	Right Guard Assy (#28-31, 34, 35)				
37		5	1/4-20 x 1/2 Screw				



BRUSH DRIVE

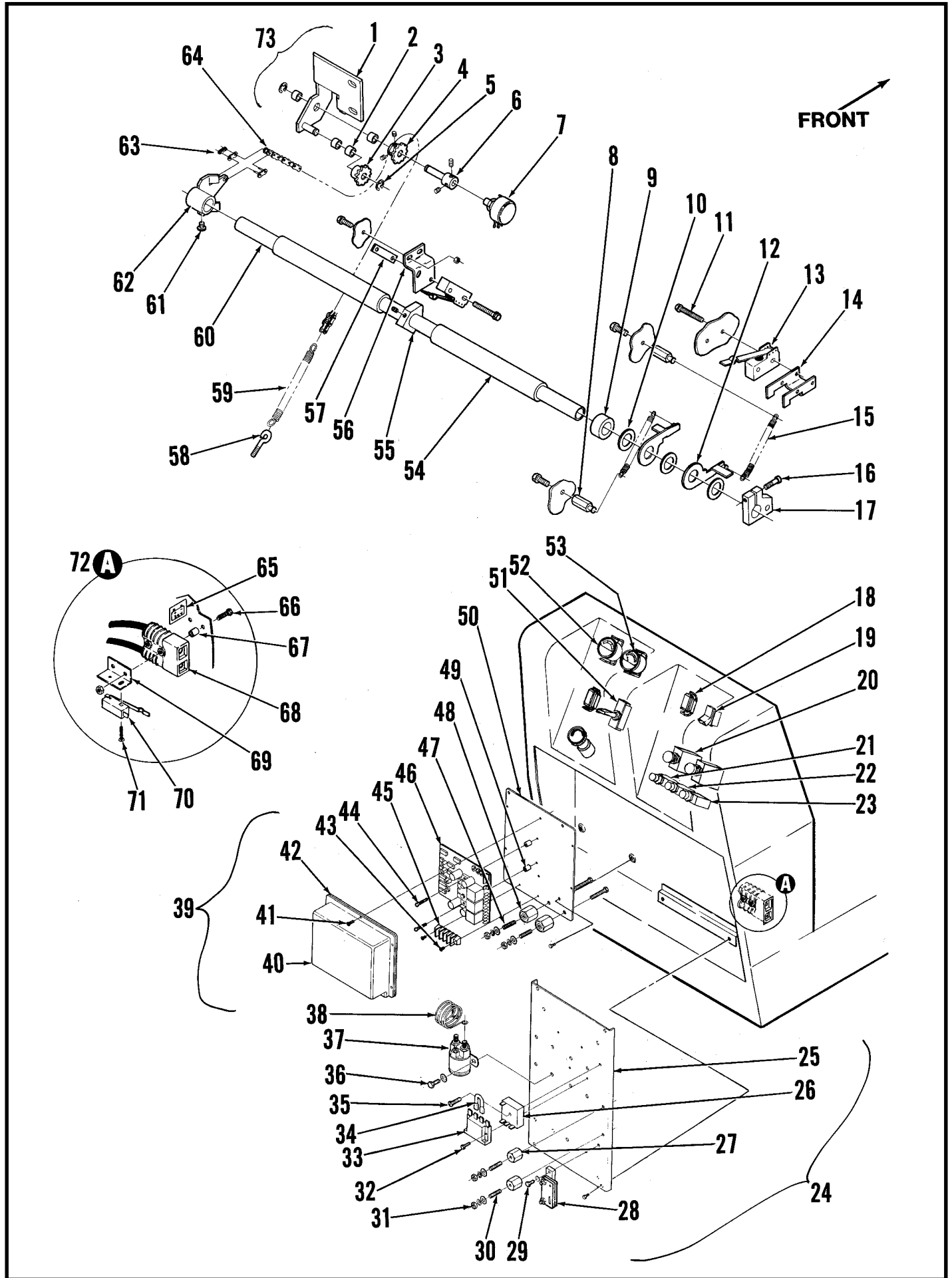
Item	Part No.	Qty	Description	Item	Part No.	Qty	Description
1	56388038	1	Rod	38	56388782	1	Bracket
2	56329098	1	Bushing	39	56471220	4	Bushing
3	56388672	1	Pin	40	56388520	1	Nut
4	56321427	2	Retaining Ring	41	56388040	1	Bracket
5		2	#10-24 x 1/2 Screw	42		1	3/8-16 Nut
6	56389330	1	Spring	43		2	1/4-20 Nut
7	56376015	2	Nut Plate	44	56388019	1	Switch
8	56388518	1	Lift Motor TSB 540	45		4	#6-32 x 1 Screw
*	56388517	1	Carbon Brush Kit (for 56388518)	46	56388532	1	Switch
*	56470431	1	Carbon Brush Kit (for 56391627)	47	56388034	1	Bracket
9	56388815	2	Nut Plate	48	56388036	2	Collar
10	56389332	1	Spring	49		2	5/16-24 x 1/2 Bolt
11		2	1/2-13 Nut	50		2	Flat Washer
12	56388827	2	Adjustment Screw	51	56386988	2	Stand-Off
13		2	1/4-20 x 2 Screw	52		3	#10-24 x 1 1/2 Screw
14		3	3/8-16 x 1-1/2 Screw	53	56760212	2	Grommet
15		3	3/8 Lock Washer	54	56389142	1	Cover
16		3	3/8 Flat Washer	55	56471220	3	Bushing
17		3	3/8-16 Nut	56	56505554	2	Union Mix Brush
18	56388800	1	Bracket	*	56388775	1	Pad Holder (optional kit)
19	56388761	1	Arm	57	56389322	2	Hose
20	56478775	5	Retaining Ring	58	56388770	1	Lever
21	56444839	5	Washer				
22	56370878	10	Bearing				* = Not Shown
23	56228052	1	Bushing				
24		2	5/16-18 x 2 Bolt				
25	56388833	2	Spring Guide				
26	56171123	2	Spring				
27	56388011	1	Motor 36V CCW TSB 356, TSB 578				
	56388010	1	Motor 36V CW TSB 310, TSB 356, TSB 578				
*	56388042	1	Carbon Brush (set of 4)				
*	56388044	1	Carbon Brushes & Springs				
28	56388740	1	Base				
29		6	1/4-20 Nut				
30	56377247	2	Screen				
31		2	5/16-18 x 1 Bolt				
32		2	5/16 Lock Washer				
33		2	Flat Washer				
34	56320595	1	Bushing				
35	56388752	1	Bracket				
36	56388830	1	Pin				
37		2	3/8-16 x 1-1/2 Bolt				



DRIVE WHEEL

Item	Part No.	Qty	Description	Item	Part No.	Qty	Description
1	56025254	1	Decal, Pad Pressure	32	56402745	1	Brake Band
2	56475480	1	Knob	33	56388678	1	Right Brake Lever
3	56388824	1	Adjusting Rod	34	56321427	6	Retaining Ring
4	56324505	1	Bearing	35	56388666	1	Pin Bracket
5	56366013	1	Bushing	36		2	5/16-18 x 1/2 Bolt
6		2	3/8-24 Nut	37	56388842	1	Pin
7	56477884	2	Cable Clamp	38	56372129	1	Spring
8	56158135	1	Key	39	56386663	1	Pin
9	56471148	1	Sprocket	40	56388839	1	Bracket
10		1	5/16-18 x 2 Bolt	41	56388674	1	Pin
11	56388692	1	Bracket	42		1	3/8-16 x 2 Bolt
12		2	1/2-13 x 1 Bolt	43	56370754	1	Bearing
13	56388682	1	Bracket	44	56388836	1	Pulley
14		4	3/8-16 x 3/4 Bolt	45		1	1/4-20 x 1/2 Screw
15		2	5/16-18 x 3/4 Bolt	46		1	1/4-20 x 1-1/2 Screw
16	56388585	1	Motor 36V 3/4 HP	47	56207489	1	Bushing
*	56388586	1	Carbon Brush Set for 56388585	48	56388852	1	Cable
17	56388686	1	Clamp	49		4	1/4-20 x 7/8 Screw
18	56388583	1	Chain	50	56453845	1	Cable
19	56388672	1	Pin	51	56321125	1	Retaining Ring
20	56388676	1	Left Brake Lever	52	56388650	1	Brake Lever
21	56344362	1	Grease Fitting	53	56364527	1	Knob
22	56378380	2	Ball Bearing	54	56200972	1	Bearing
23	56388698	1	Axle	55		2	1/4-20 x 1/2 Screw
24	56388937	2	Clamp	56	56388660	1	Bracket
25	56376032	1	Wheel				
26		4	1/4-20 x 1 Screw				
27	56388700	1	Sprocket				
28	56388702	1	Brake Drum				
29		6	5/16 Flat Washer				
30		6	5/16-18 x 1-1/4 Bolt				
31	56376030	1	Wheel Assy (#21-23,25,27-30)				

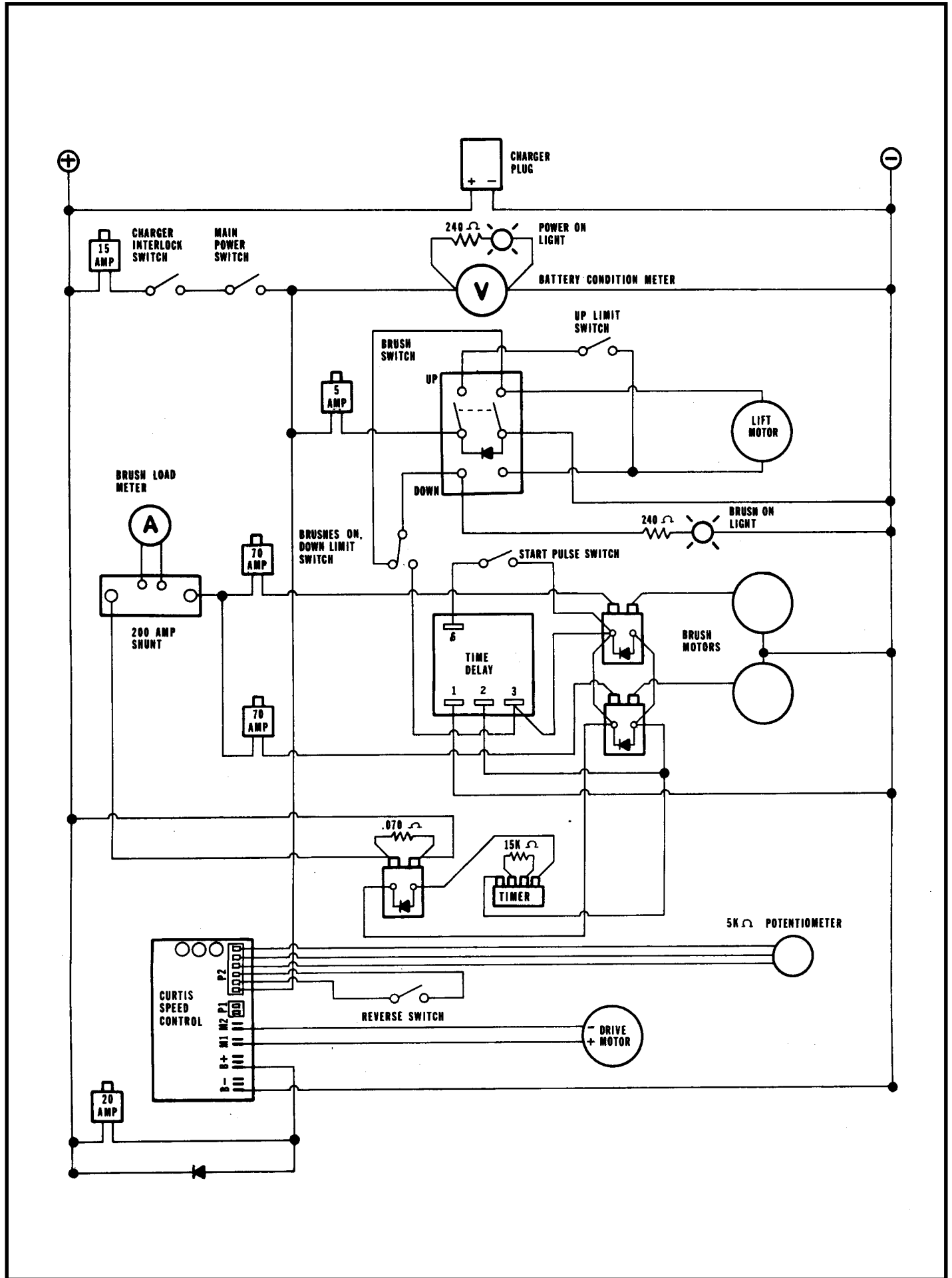
* = Not Shown



HANDLE AND SPEED CONTROLS

Item	Part No.	Qty	Description	Item	Part No.	Qty	Description
1	56377787	1	Bracket	38	56389552	1	Resistor
2	56372624	4	Bearing	39	56377701	1	Speed Control Assy (#40-50)
3	56377796	1	Sprocket	40	56377502	1	Cover
4	56377797	1	Sprocket	41		6	#8-32 x 1/2 Screw
5	56321125	2	Retaining Ring	42	56385448	3'	Gasket (92 mm)
6	56377791	1	Pin	43		2	#6-32 x 3/8 Screw
7	56454740	1	Potentiometer	44		2	#8-32 x 7/8 Screw
8	56377436	2	Pin	45	56328062	1	Terminal Block
9	56377434	1	Collar	46	56377331	1	Speed Control
10	56151858	3	Bearing	47	56150274	2	Stud
11		4	#6-32 x 1 Screw	48	56469858	2	Insulated Stand Off
12	56388562	2	Lever	49	56377721	2	Spacer
13	56388019	2	Switch	50	56377504	1	Heat Sink
14	56388576	1	Bracket	51	56207071	1	Switch
15	56365769	2	Spring	52	56448677	1	Battery Meter
16		1	#10-24 x 1 Screw	53	56391132	1	Ammeter
17	56377438	1	Clamp	54	56388580	2	Tube
18	56467410	2	Indicator Light	55	56388620	1	Collar
19	56377003	1	Switch	56	56388622	1	Bracket
20	56454429	2	Circuit Breaker 70A	57	56376015	1	Nut Plate
21	56387328	1	Circuit Breaker 5A	58	56388599	1	Eye Bolt
22	56395454	1	Circuit Breaker 20A	59	56358560	1	Spring
23	56454538	1	Circuit Breaker 15A	60	56388578	1	Tube
24	56389280	1	Solenoid Panel Assy (#25-38)	61		2	#10-24 x 1/2 Screw
25	56389295	1	Panel	62	56377765	1	Lever
26	56389315	1	Time Delay	63	56377801	1	Connector Link
27	56469858	2	Insulated Stand Off	64	56377793	1	Chain
28	56388505	1	Shunt	65	56016324	1	Decal, 36V
29		2	#10-24 x 5/8 Screw	66		2	1/4-20 x 2-1/2 Screw
30	56454376	2	Stud	67	56109037	2	Bushing
31		2	1/4-20 Nut	68	56371408	1	Charger Plug
32		2	#6-32 x 1/2 Screw	69	56389270	1	Bracket
33	56389550	1	Timer	70	56376435	1	Switch
34	56389546	1	Resistor	71		2	#6-32 x 1 Screw
35		1	#10-24 x 1 Screw	72	56389268	1	Charger Plug Assy (#68-71)
36		6	1/4-20 x 3/8 Screw	73	56377786	1	Potentiometer Assy (#1-7)
37	56395450	3	Contacto	*	56389265	1	Rectifier Assy

* = Not Shown





Nilfisk-Advance, Inc.
14600 21st Avenue North
Plymouth, MN, 55447-3408
www.nilfisk-advance.com
Phone: 800-989-2235
Fax: 800-989-6566
©2001 Nilfisk-Advance, Inc.,
Plymouth, MN 55447-3408
Printed in the U.S.A.