

# Whirlamatic™ UHSB 20

# Whirlamatic™ UHSBD 20



## **PARTS LIST**

**Advance MODELS 56393500(UHSB 20)  
56393600(UHSBD 20 / OBSOLETE)**



**Advance**  
*by Nilfisk-Advance*

1/91 revised 12/01 FORM NO.  
56042243

91-1	<b>TABLE OF CONTENTS</b>		
00-9	<b>Whirlamatic™ UHSB 20 / UHSBD 20</b>		<b>3</b>

<b>DESCRIPTION</b>	<b>PAGE</b>
CHASSIS AND SHROUD .....	4-5
HANDLE ASSEMBLY .....	6-7
PAD DRIVE ASSEMBLY .....	8-9
DRIVE MOTOR (UHSBD 20).....	10-11
WIRING DIAGRAM (UHSB 20) .....	12-13
WIRING DIAGRAM (UHSBD 20).....	14-15

**WHEN ORDERING PARTS**

- \* Use the 8 digit numbers from the "Ref. No." columns in this parts list.
- \* Specify the model and serial number of the machine.
- \* Use the space below to record the model and serial number for future reference.

Model \_\_\_\_\_ Serial No. \_\_\_\_\_

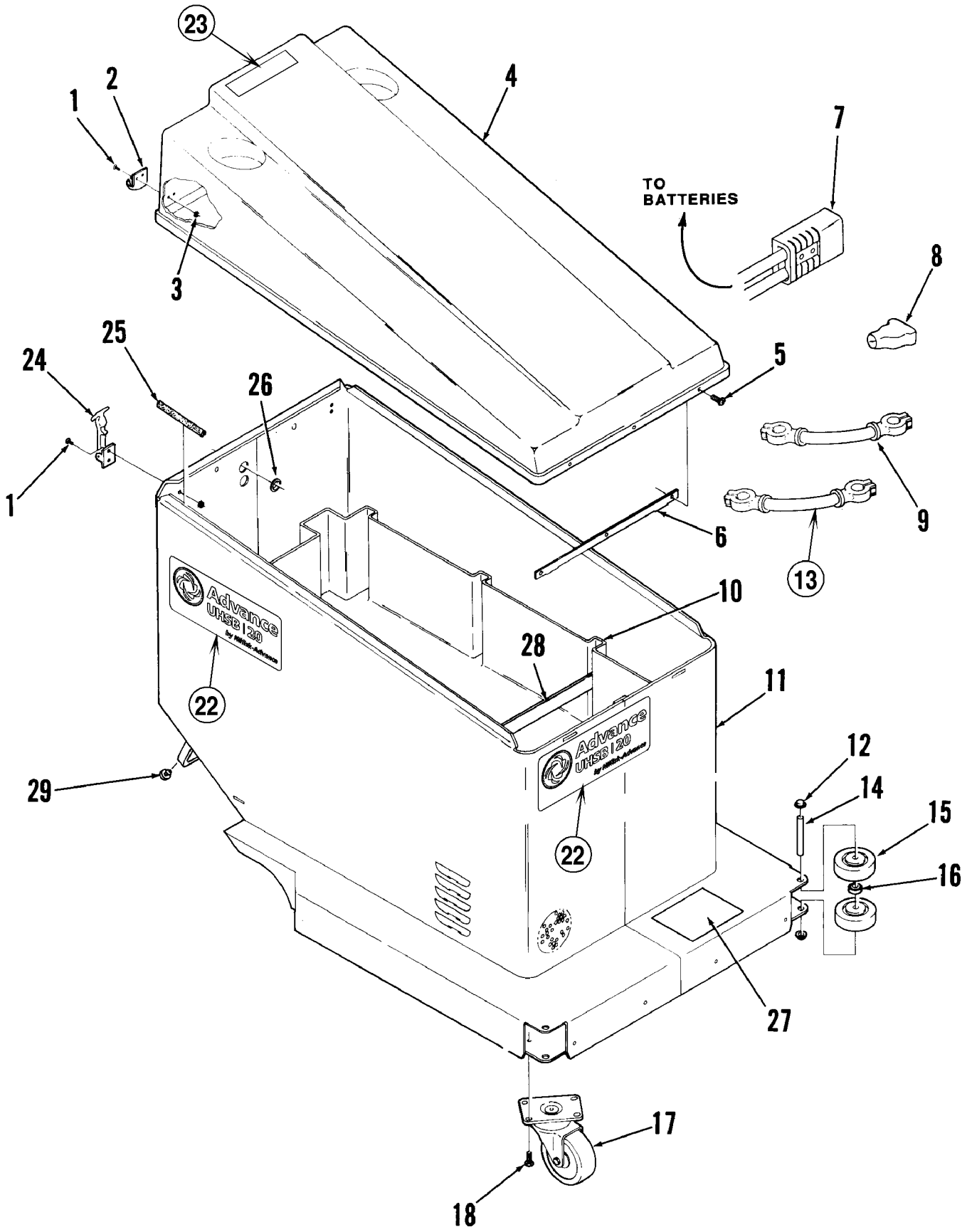
**CHASSIS AND SHROUD**

91-1

4

**Whirlamatic™ UHSB 20 / UHSBD 20**

00-9



91-1	<b>CHASSIS AND SHROUD</b>		
00-9	<b>Whirlamatic™ UHSB 20 / UHSBD 20</b>		<b>5</b>

Item	Ref. No.	Qty	Description
	56393561	1	Shroud Assembly (#1-6)
1		8	#6-32 x 3/8 Screw
2	56393559	2	Keeper
3		8	#6-32 Nut
4	56393503	1	Shroud
5		3	#10-24 x 3/8 Screw
6	56393539	1	Bracket
7	56391127	1	Connector with Wires <b>TSB 730</b>
8	56372673	12	Battery Boot
9	56363936	2	Cable <b>TSB 730</b>
10	56393574	1	Battery Tray
11	56393556	1	Chassis
12	56262534	4	Cap
13	56363928	3	Cable <b>TSB 730</b>
14	56393543	2	Pin
15	56363855	4	Wheel
16	56328022	2	Bushing
17	56206725	2	Caster
18		6	1/4-20 x 1/2 Screw
22	56016415	3	Decal, UHSB 20
23	56015171	1	Decal, Important
24	56393560	2	Latch
25	56393549	2	Trim
26	56157376	2	Grommet
27	56015120	1	Decal, Pad Replacement
28	56393578	1	Strap
29	56393581	2	Bumper

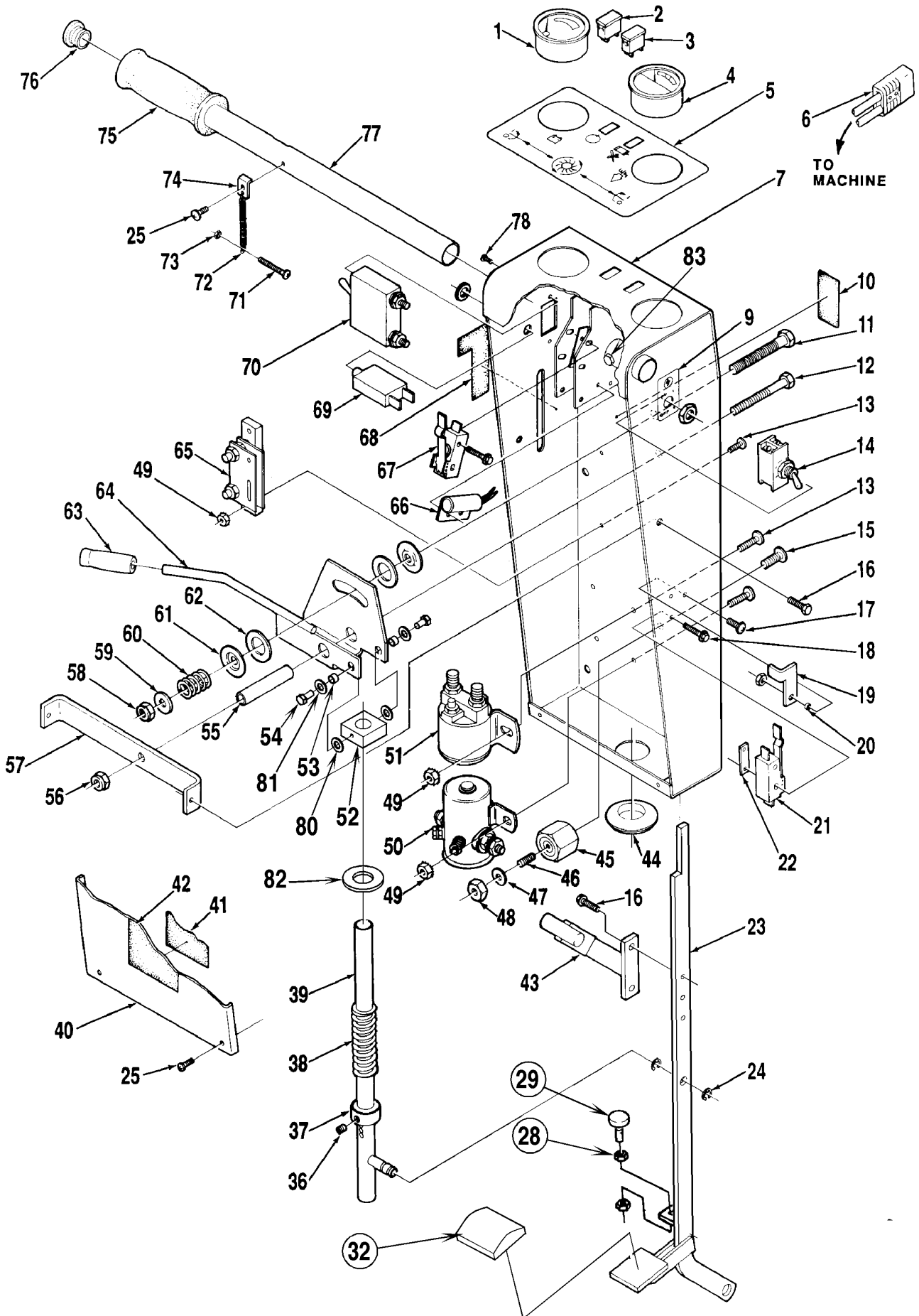
# HANDLE ASSEMBLY

91-1

6

## Whirlamatic™ UHSB 20 / UHSBD 20

01-2



91-1	<b>HANDLE ASSEMBLY</b>			
01-12	<b>Whirlamatic™ UHSB 20 / UHSBD 20</b>			<b>7</b>

Item	Ref. No.	Qty	Description	Item	Ref. No.	Qty	Description
	56393501	1	Handle Assembly <b>(56393500 only)</b>	43	56393533	1	Handle
	56393615	1	Handle Assembly <b>(56393600 only)</b>	44	56486116	1	Grommet
1	56448677	1	Battery Meter	45	56469858	1	Insulated Stand-Off
2	56389434	1	Green Indicator Light (before February 1998)	46	56150274	1	Stud
	56392858	1	Green Indicator Light (after January 1998)	47		1	1/4 Washer
3	56389433	1	Red Indicator Light (before February 1998)	48		1	1/4-20 Nut
	56393863	1	Red Indicator Light (after January 1998)	49		4	#10-24 Nut <b>(6 on 56393600)</b>
4	56389527	1	Amp Meter <b>TSB 672</b>	51	56395452	1	Contactor 36V <b>(56393600 only)</b>
5	56015114	1	Decal, Control Handle	50	56395450	1	Contactor
6	56393568	1	Connector with Wires	52	56393696	1	Bearing Block Assembly
7	56393554	1	Handle <b>(before SN 531968)</b>	53	56200123	2	Bushing
	56393653	1	Handle <b>(after SN 531697)</b>	54	56009039	2	#10-24 x 1/2 Hex Screw
9	56016112	1	Decal, Switch	55	56393520	1	Pivot
10	56025264	1	Decal, Cable Routing	56		1	5/16-18 Nut
11		1	3/8-16 x 2 1/2 Bolt	57	56393534	1	Support
12		1	5/16-18 x 3 1/2 Bolt	58	56371424	1	Nut
13		4	#10-24 x 1 Screw	59		1	3/8 Flat Washer
14	56207071	1	Main Switch <b>TSB 575</b>	60	56171177	1	Spring
15		2	1/4-20 x 3/4 Screw	61	56440760	2	Washer
16		4	1/4-20 x 1/2 Screw	62	56367184	2	Thrust Bearing
17		1	#10-24 x 3/4 Screw	63	56471193	1	Grip
18		4	#6-32 x 1 Screw	64	56393528	1	Lever <b>TSB 672</b>
19	56393530	1	Lever	65	56386793	1	Shunt
20	56375334	1	Bushing	66	56393569	1	Mercury Switch
21	56388019	1	Pad Up Switch	67	56385615	1	Switch <b>(2 on 56393600)</b>
22	56376015	2	Nut Plate <b>(3 on 56393600)</b>	68	56015122	1	Decal, Circuit Breaker
23	56388184	1	Pedal <b>TSB 609</b>	69	56387316	1	Circuit Breaker
24	56321427	2	Retaining Ring	70	56391010	1	Circuit Breaker <b>TSB 607</b>
28	56009087	2	Nut, Hex Jam 1/4-20	71		1	#10-24 x 1-1/4 Screw
29	56386314	1	Leveler	72	56328790	1	Spring
32	56365002	1	Pad	73		1	#10-24 Nut
36		1	5/16-18 x 3/8 Set Screw	74	56393525	1	Retainer <b>(before SN 531698)</b>
37	56367354	1	Collar	75	56393579	2	Grip
38	56372129	2	Spring	76	56393580	2	Plug
39	56393522	1	Rod	77	56393529	1	Tube <b>(before SN 531698)</b>
40	56393540	1	Panel		56393654	1	Tube <b>(after SN 531698)</b>
	56393723	1	Panel <b>(after SN 531697)</b>	78		2	#6-32 x 3/8 Screw
41	56016068	1	Decal, Wiring (UHSB20)	79	56002591	1	#8-32 x 7/8 Screw
	56015115	1	Decal, Wiring (UHSBD20)				<b>(after SN 531697)</b>
42	56015119	1	Decal, Caution		56002518	1	#10-24 x 3/8 HP-5 Screw
							<b>(before SN 531968)</b>
				80	56009024	2	Wsh, Bowd .375 x .84 x .06
				81	56001954	2	Wsh, Flt SAE #10
				82	56200115	1	Wsh, Flt
				83	56234079	1	Screw
				*	56001905	2	Wsh, Int Shprf 5/16

\* = Not Shown

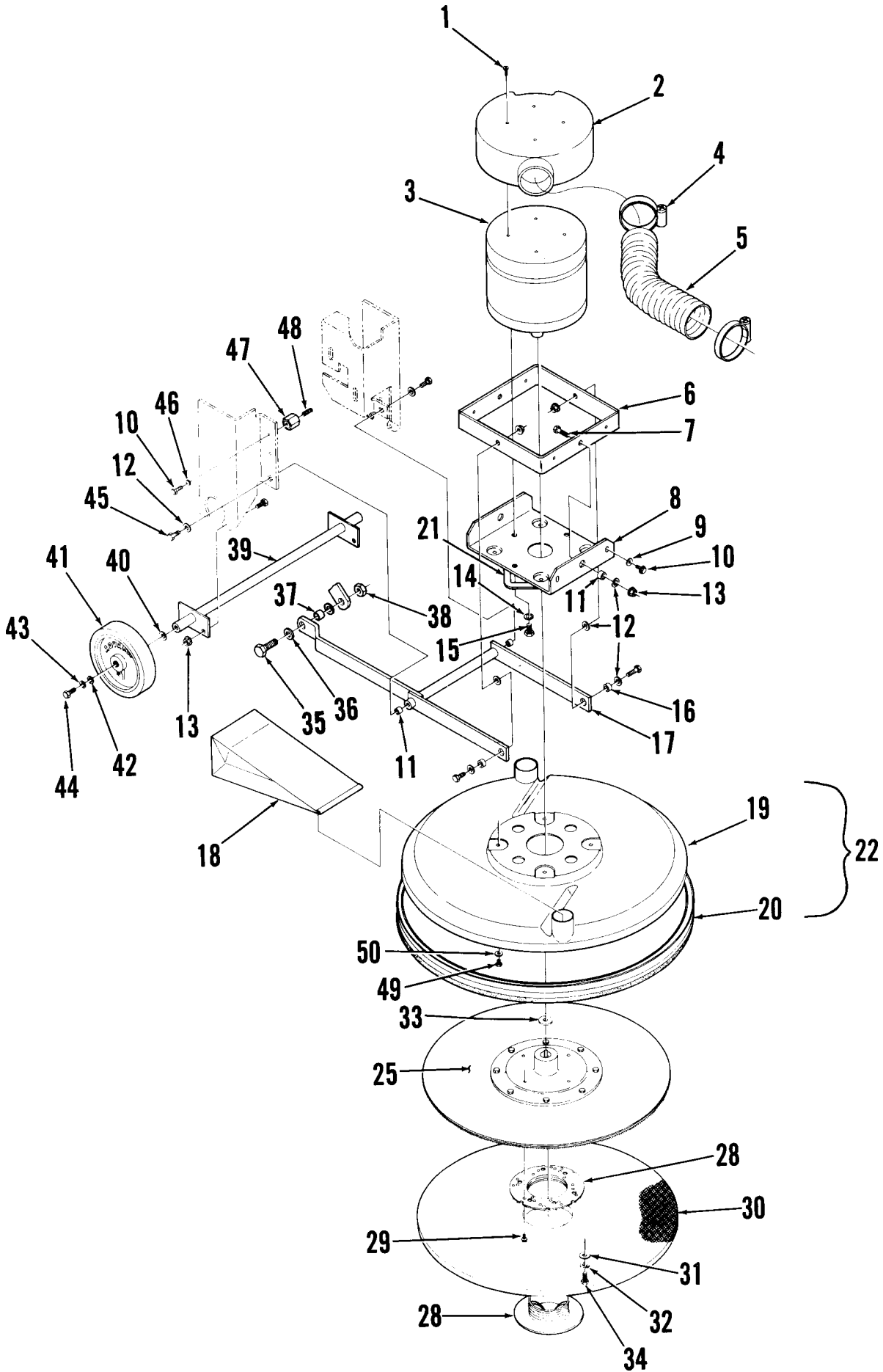
PAD DRIVE ASSEMBLY

91-1

8

Whirlamatic™ UHSB 20 / UHSBD 20

00-9



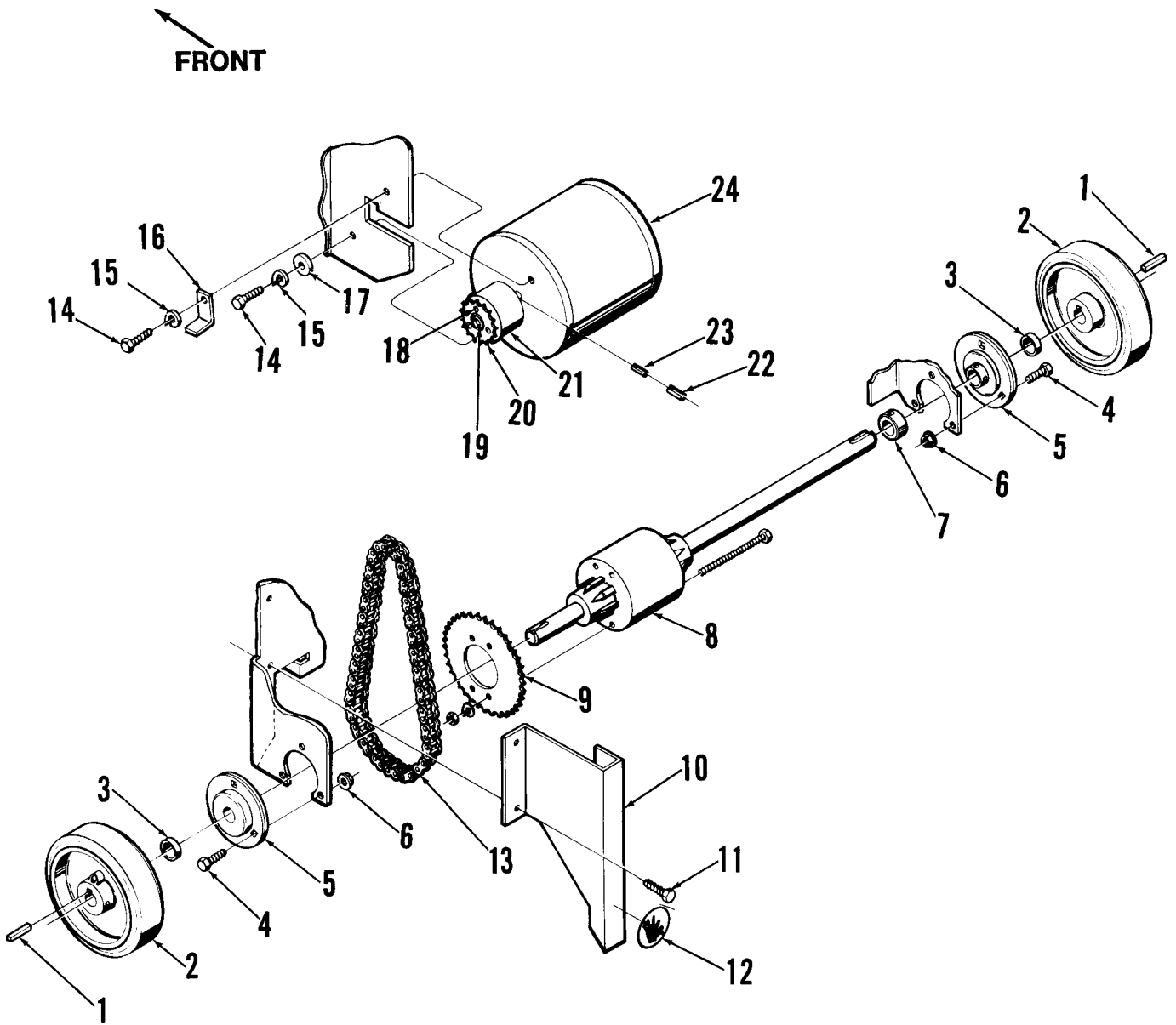
91-1	<b>PAD DRIVE ASSEMBLY</b>		
00-9	<b>Whirlamatic™ UHSB 20 / UHSBD 20</b>		<b>9</b>

Item	Ref. No.	Qty	Description
	56393502	1	Drive Unit Assembly (#1-17)
1		4	1/4-20 x 3/8 Screw
2	56393576	1	Cover
3	56389422	1	Motor <b>TSB 672</b>
*	56389371	1	Carbon Brush Set
*	56389395	1	Brush Spring Set
4	56352829	4	Hose Clamp
5	56387392	2	Hose
6	56393542	1	Frame
7		4	5/16-18 x 1 Bolt
8	56393510	1	Motor Mount
9		2	1/4 Flat Washer
10		4	1/4-20 x 1/2 Screw
11	56391840	4	Bushing
12		8	5/16 Flat Washer
13		8	5/16-18 Whiz Nut
14		4	3/8 Shakeproof Washer
15		4	3/8-16 x 1/2 Bolt
16	56244941	2	Bushing
17	56393551	1	Linkage
18	56391185	2	Bag (package of 6)
19	56393504	1	Shroud
20	56393565	1	Skirt
21	56200754	2'	Gasket (61 cm)
22	56393566	1	Dust Shroud Assembly (#19-21)
25	56393650	1	Pad Holder <b>TSB 525</b>
28	56393567	1	Retainer
29		4	#10-24 x 3/8 Screw
30		1	Pad (not included)
31	56180200	1	Washer
32		1	5/16 Lock Washer
33	56367192	1	Washer
34		1	5/16-24 x 3/4 Bolt
35		1	1/2-13 x 1 1/4 Bolt
36	56367214	2	Washer
37	56365030	1	Bushing
38		1	1/2-13 Nut
39	56393548	1	Axle ( <b>56393500 only</b> )
40	56362883	2	Washer ( <b>56393500 only</b> )
41	56391110	2	Wheel ( <b>56393500 only</b> )
42	56152781	2	Washer ( <b>56393500 only</b> )
43		2	5/16 Shakeproof Washer ( <b>56393500 only</b> )
44		2	5/16-18 x 5/8 Bolt ( <b>56393500 only</b> )
45		2	5/16-18 x 3/4 Bolt
46		2	1/4 Shakeproof Washer
47	56469858	2	Insulated Stand-Off
48	56150274	2	Stud
49		4	1/4-20 x 1/4 Screw
50	56151114	4	Washer

\* = Not Shown

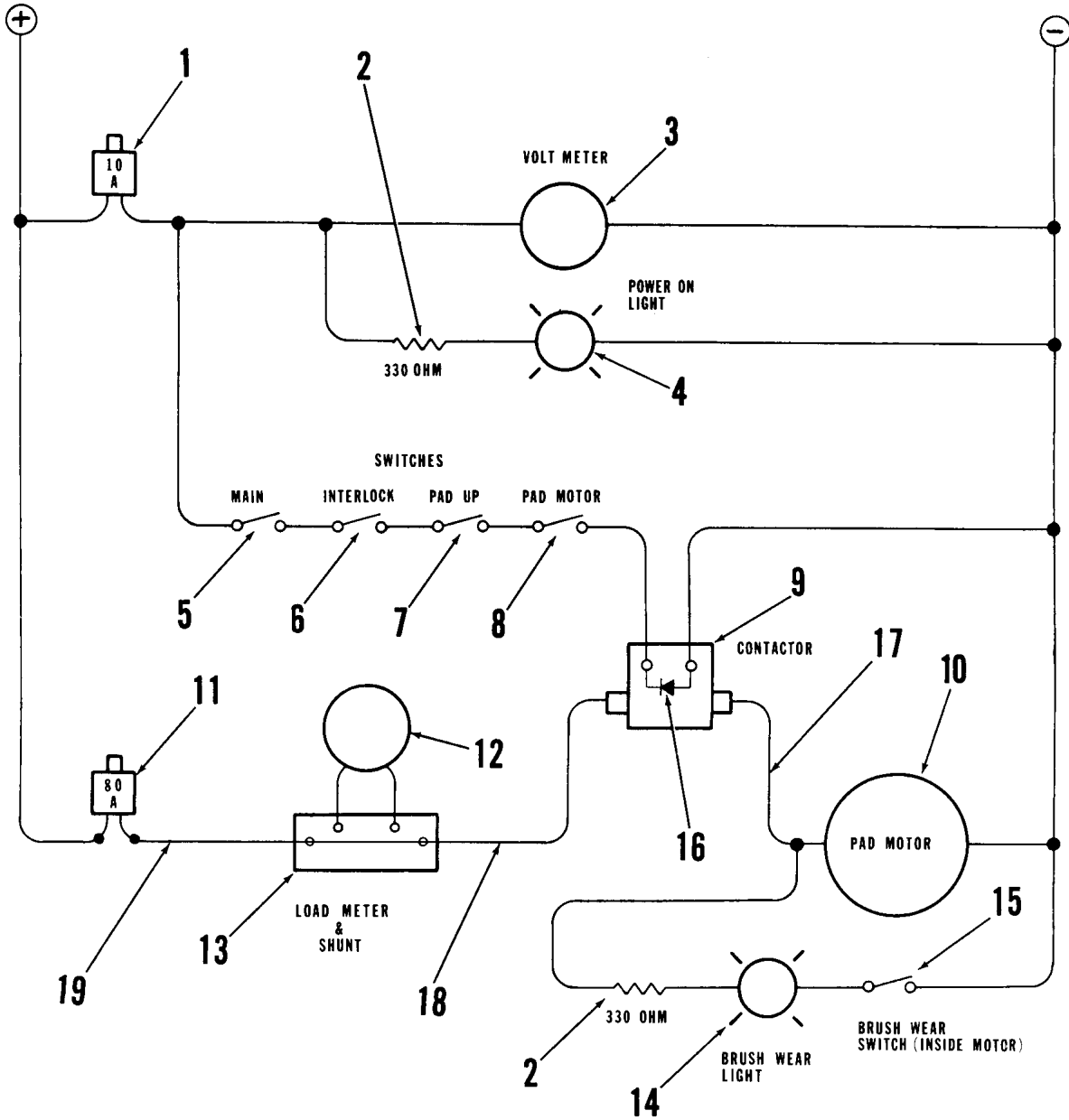
Wheel Drive Conversion Kit (part no. 56393234) available for Model 56393500 **TSB 546**





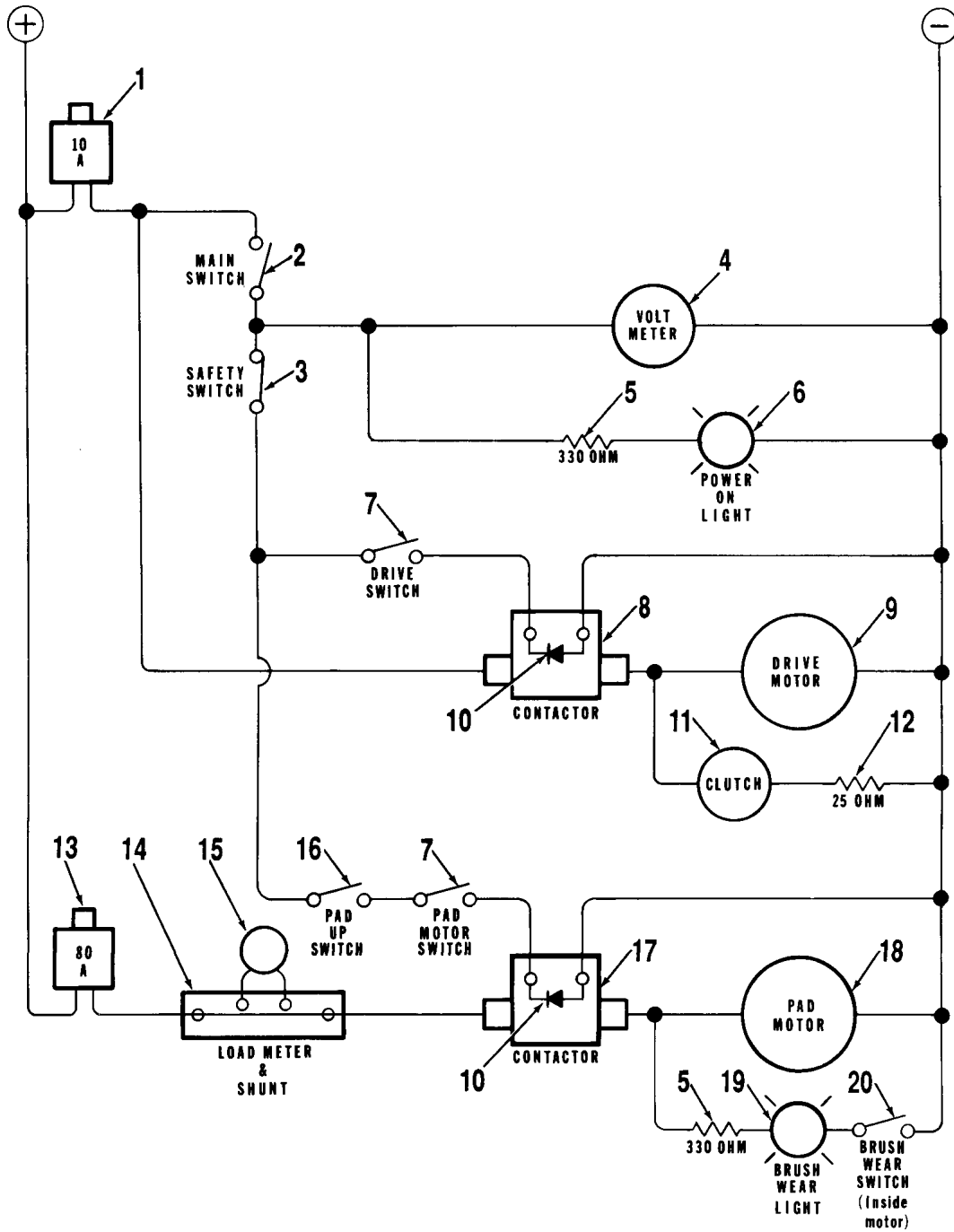
91-1	<b>DRIVE MOTOR (UHSBD 20)</b>		
00-9	<b>Whirlamatic™ UHSB 20 / UHSBD 20</b>		<b>11</b>

Item	Ref. No.	Qty	Description
1	56443719	2	Key
2	56393602	2	Wheel
3	56393618	2	Spacer
4		6	5/16-18 x 3/4 Bolt
5	56393601	2	Bearing
6		6	5/16 Nut
7	56367095	1	Collar
8	56393603	1	Differential
9	56393609	1	Sprocket
10	56393616	1	Guard
11		2	1/4-20 x 1/2 Bolt
12	56030080	1	Decal, Hands Clear
13	56393606	1	Roller Chain
14		2	5/16-18 x 7/8 Bolt
15		2	5/16 Lock Washer
16	56393608	1	Tab
17	56152781	1	5/16 Washer
	56393613	1	Drive Motor Assembly (#18-24)
18		3	#10-32 x 3/8 Screw
19	56462265	1	Retaining Ring
20	56393604	1	Sprocket
21	56393614	1	Clutch
22	56002754	1	1/8 x 7/8 Spring Pin
23	56002756	1	1/16 x 7/8 Spring Pin
24	56393607	1	Drive Motor



91-1	<b>WIRING DIAGRAM (UHSB 20)</b>		
01-12	<b>Whirlamatic™ UHSB 20 / UHSBD 20</b>		<b>13</b>

Item	Ref. No.	Qty	Description
1	56387316	1	Circuit Breaker 10 Amp
2	56389453	2	Resistor 330 Ohm (before February 1998)
3	56448677	1	Battery Meter
4	56389434	1	Green Indicator Light (before February 1998)
	56392858	1	Green Indicator Light (after January 1998)
5	56207071	1	Main Switch
6	56393569	1	Mercury Switch
7	56388019	1	Pad Up Switch
8	56385615	1	Pad Motor Switch
9	56395450	1	Contacto
10	56389422	1	Pad Motor
11	56391010	1	Circuit Breaker <b>TSB 607</b>
12	56391132	1	Load Meter
13	56386793	1	Shunt
14	56389433	1	Red Indicator Light (before February 1998)
	56393863	1	Red Indicator Light (after January 1998)
15		1	Brush Wear Switch
16	56389265	1	Rectifier
17	56377704	1	Cable
18	56393572	1	Cable
19	56393571	1	Cable
20	56393776	1	Wiring Harness (before February 1998)
	56393862	1	Wiring Harness (after January 1998)



91-1	<b>WIRING DIAGRAM (UHSBD 20)</b>		
01-12	<b>Whirlamatic™ UHSB 20 / UHSBD 20</b>		<b>15</b>

Item	Ref. No.	Qty	Description
1	56387316	1	Circuit Breaker 10 Amp
2	56207071	1	Main Switch
3	56393569	1	Mercury Switch
4	56448677	1	Battery Meter
5	56389453	2	Resistor 330 Ohm (before February 1998)
6	56389434	1	Green Indicator Light (before February 1998)
	56392858	1	Green Indicator Light (after January 1998)
7	56385615	2	Snap Switch
8	56395452	1	Contactora
9	56393613	1	Drive Motor
10	56389265	2	Rectifier
11	56393614	1	Clutch
12	56393612	1	25 Ohm Resistor
13	56391010	1	Circuit Breaker 80 Amp <b>TSB 607</b>
14	56386793	1	Shunt
15	56391132	1	Load Meter
16	56388019	1	Snap Switch
17	56395450	1	Contactora
18	56389422	1	Pad Motor
19	56389433	1	Red Indicator Light (before February 1998)
	56393863	1	Red Indicator Light (after January 1998)
20		1	Brush Wear Switch
*	56393776	1	Wiring Harness (before February 1998)
	56393862	1	Wiring Harness (after January 1998)

\* = Not Shown



Nilfisk-Advance, Inc.  
14600 21st Avenue North  
Plymouth, MN, 55447-3408  
[www.nilfisk-advance.com](http://www.nilfisk-advance.com)  
Phone: 800-989-2235  
Fax: 800-989-6566  
©2001 Nilfisk-Advance, Inc.,  
Plymouth, MN 55447-3408  
Printed in the U.S.A.