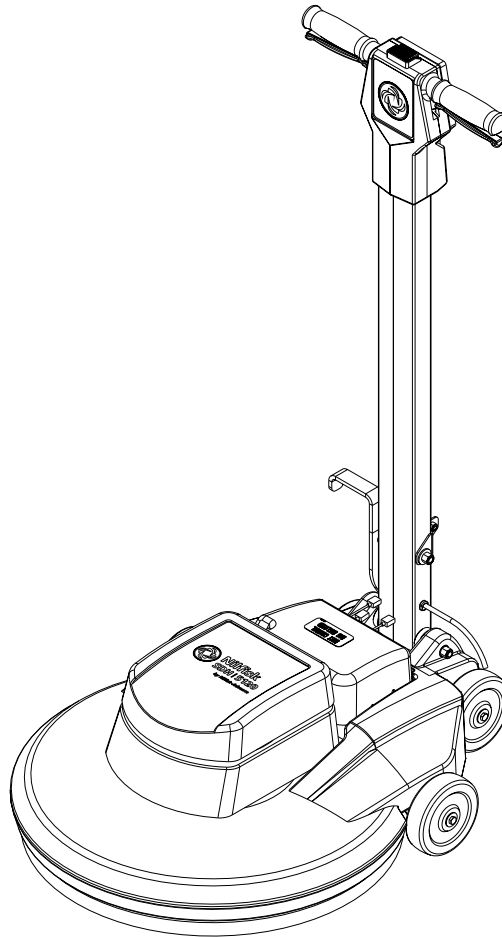


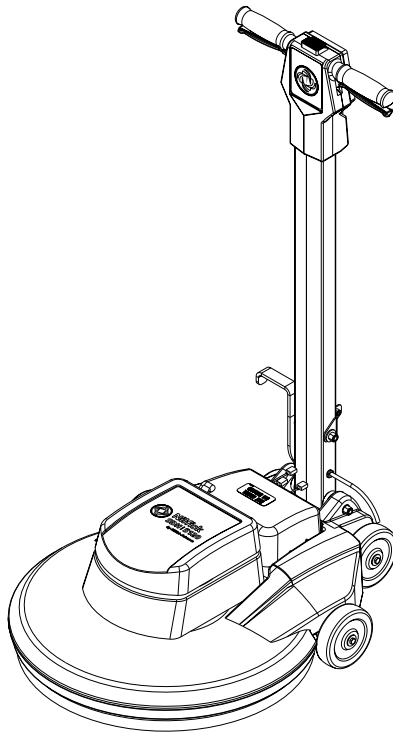
# SDH 5120

---



## PARTS LIST

**Nilfisk MODELS 56201504, 56201800**

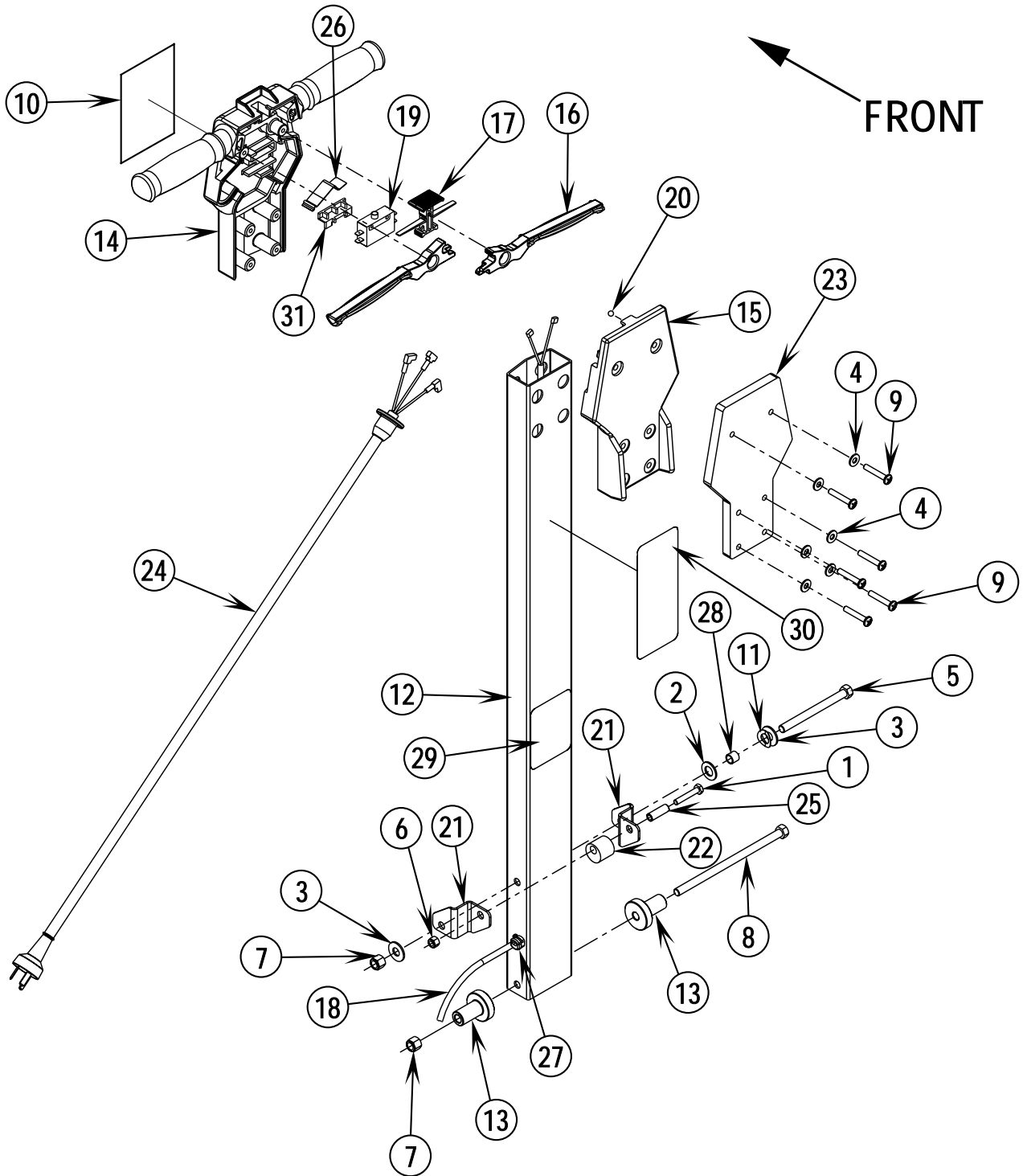
**DESCRIPTION****PLAN**

|                                   |           |
|-----------------------------------|-----------|
| Handle System .....               | D-3.6.1-3 |
| Base System / Wiring Diagram..... | D-3.6.1-5 |

**WHEN ORDERING PARTS**

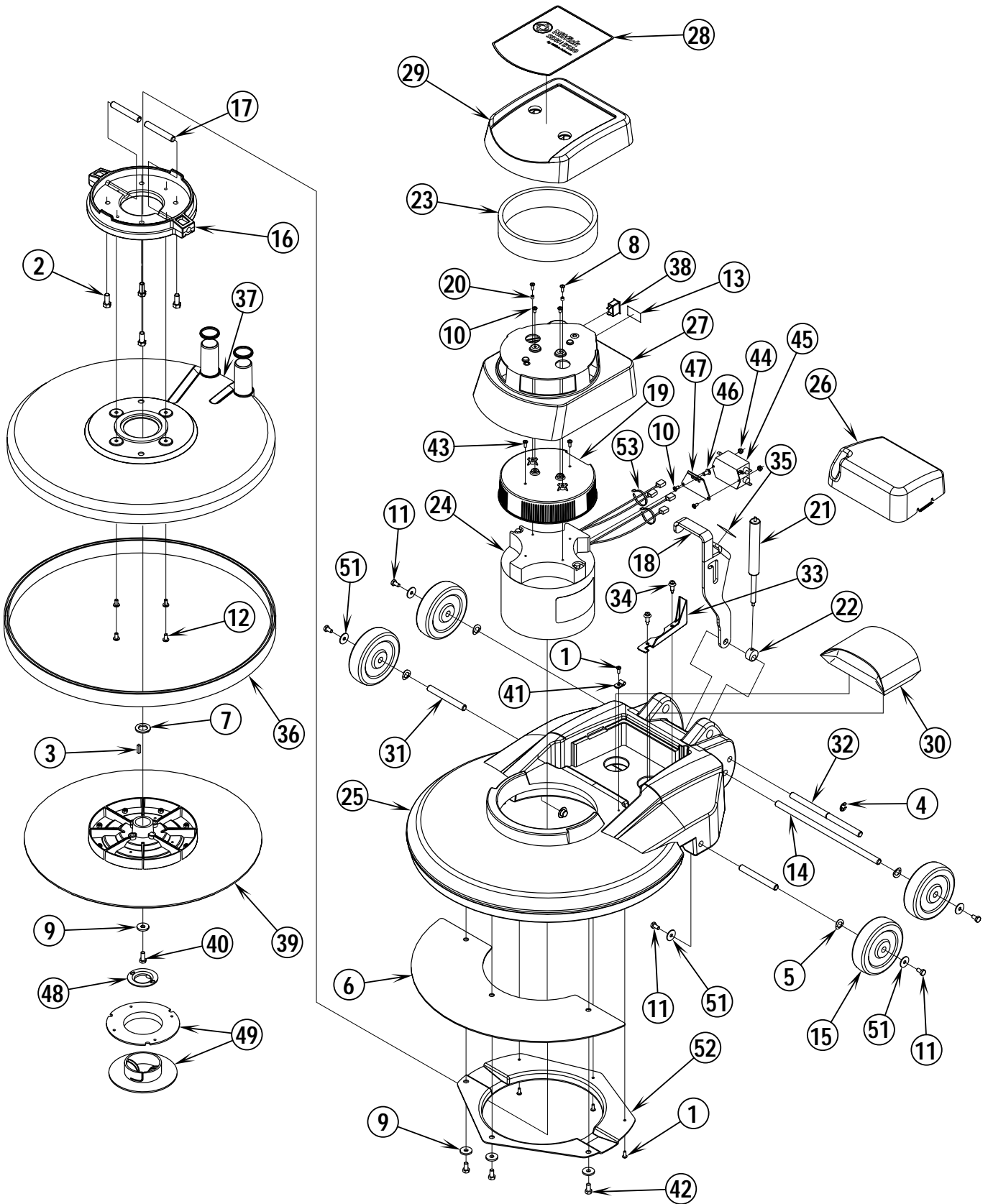
- \* Use the 8 digit numbers from the "Ref. No." columns in this parts list.
- \* Specify the model and serial number of the machine.
- \* Use the space below to record the model and serial number for future reference.

Model \_\_\_\_\_ Serial No. \_\_\_\_\_



|       |                      |               |              |          |
|-------|----------------------|---------------|--------------|----------|
| 97-5  | <b>HANDLE SYSTEM</b> | <b>BOOK D</b> |              |          |
| 03-10 | <b>SDH 5120</b>      | <b>D</b>      | <b>3.6.1</b> | <b>3</b> |

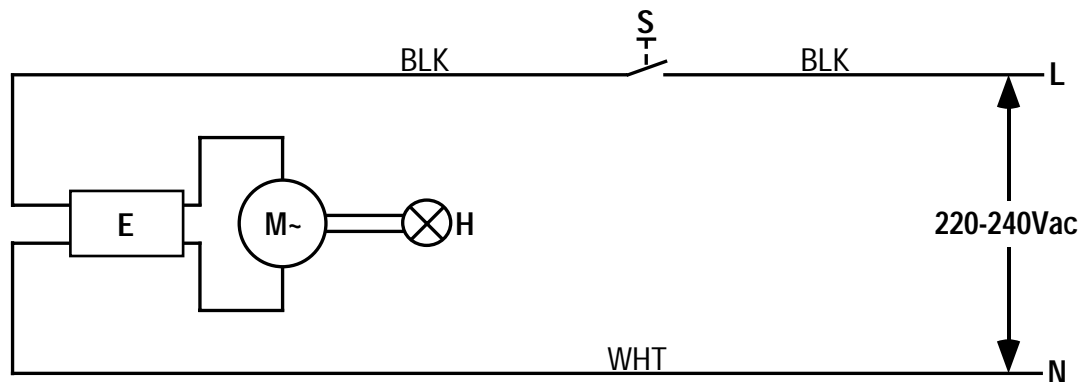
| Item | Ref. No. | Qty | Description  |
|------|----------|-----|--|
| 1    | 56001833 | 1   | Scr, Hex Hd 1/4-20 x 1.50                              |
| 2    | 56009003 | 1   | Wsh, Flt 1/2   |
| 3    | 56002055 | 2   | Wsh, Flt STD 3/8                                       |
| 4    | 56002098 | 6   | Wsh, Flt SAE 1/4 <b>(before SN 1401498)</b>            |
| 5    | 56009241 | 1   | Scr, Hex Hd 3/8-16 x 4.25                              |
| 6    | 56002708 | 1   | Nut, Hex Nyl Loc 1/4-20                                |
| 7    | 56002769 | 2   | Nut, Hex Nyl Loc 3/8-16                                |
| 8    | 56002777 | 1   | Scr, Hex Hd 3/8-16 x 7.00                              |
| 9    | 56002786 | 6   | Scr, Pan Phil 1/4-20 x 1.50 <b>(before SN 1401498)</b> |
|      | 56002108 | 6   | Scr, Pan Phil 1/4-20 x 2.00 <b>(after SN 1401497)</b>  |
| 10   | 56016426 | 1   | Decal, Logo  |
| 11   | 56009001 | 1   | Wsh, Bowed .51 x .90 x .008                            |
| 12   | 56201587 | 1   | Handle Tube <b>(before SN 1401498)</b>                 |
|      | 56201510 | 1   | Handle Tube <b>(after SN 1401497)</b>                  |
| 13   | 56201016 | 2   | Bushing  |
| 14   | 56201560 | 1   | Handle   |
| 15   | 56201058 | 1   | Handle Cover   |
| 16   | 56201027 | 2   | Handle Lever   |
| 17   | 56201031 | 1   | Button, Lock   |
| 18   | 56201574 | 1   | Cord Assembly 14/3                                     |
| 19   | 56201648 | 1   | Switch, N.O. DPDT Snap <b>TSBUS2003-857</b>            |
| 20   | 56201592 | 1   | Ball   |
| 21   | 56201523 | 2   | Bracket  |
| 22   | 56201525 | 1   | Mount, Cylinder  |
| 23   | 56201526 | 1   | Weight, Handle <b>(before SN 1401498)</b>              |
|      | 56201507 | 1   | Weight, Handle <b>(after SN 1401497)</b>               |
| 24   | 56201573 | 1   | Power Cord <b>(Model 56201504)</b>                     |
|      | 56201718 | 1   | Power Cord <b>(Model 56201800 / Argentina)</b>         |
| 25   | 56201531 | 1   | Bushing  |
| 26   | 56263648 | 1   | Spring, Plate  |
| 27   | 56201596 | 1   | Strain Relief  |
| 28   | 56388326 | 1   | Bushing  |
| 29   | 56016064 | 1   | Decal, Latch   |
| 30   | 56014828 | 1   | Decal, Warning   |
| 31   | 56201647 | 1   | Spacer, Plastic <b>TSBUS2003-857</b>                   |



|       |                    |               |              |          |
|-------|--------------------|---------------|--------------|----------|
| 97-5  | <b>BASE SYSTEM</b> | <b>BOOK D</b> |              |          |
| 02-10 | <b>SDH 5120</b>    | <b>D</b>      | <b>3.6.1</b> | <b>5</b> |

| Item | Ref. No. | Qty | Description                         | Item | Ref. No. | Qty | Description  |
|------|----------|-----|-------------------------------------|------|----------|-----|--|
| 1    | 56009191 | 4   | Scr, Pan Phil Plastite 10-14 x .50  | 26   | 56201595 | 1   | Shroud, Vac  |
| 2    | 56002271 | 4   | Scr, Hex Hd 3/8-16 x .88            | 27   | 56201554 | 1   | Shroud, Motor                                      |
| 3    | 56003238 | 1   | Key, Sq. .19 x .78                  | 28   | 56016473 | 1   | Decal, Cover                                       |
| 4    | 56003264 | 1   | Ring, Ret Ext Type E                | 29   | 56201593 | 1   | Cover, Motor                                       |
| 5    | 56009001 | A/R | Wsh, Bowed .51 x .90 x .008         | 30   | 56201569 | A/R | Bag, Vac <b>(10 Pack)</b>                          |
| 6    | 56201585 | 1   | Plate                               | 31   | 56201090 | 2   | Pin, Axle  |
| 7    | 56009022 | 1   | Wsh, Flt .75 x 1.25 x .12           | 32   | 56201562 | 1   | Pin  |
| 8    | 56001993 | 2   | Scr, Pan Phil 10-24 x .50           | 33   | 56201563 | 1   | Plate, Cord  |
| 9    | 56009057 | 4   | Wsh, Flt Harden .34 x 1.00 x .12    | 34   | 56201564 | 2   | Panel Fastener                                     |
| 10   | 56002043 | 4   | Scr, Pan Phil 10-24 x .38           | 35   | 56201572 | 1   | Grip Surface                                       |
| 11   | 56003039 | 6   | Scr, Hex Loc 1/4-20 x .50           | 36   | 56393565 | 1   | Skirt Assembly                                     |
| 12   | 56009062 | 4   | Scr, Pan Phil Thd Form 1/4-20 x .50 | 37   | 56201571 | 1   | Shroud Assembly <b>TSB 689</b>                     |
| 13   | 56015914 | 1   | Decal, Brush Wear Indicator         |      | 56201617 | 1   | Gasket   |
| 14   | 56201089 | 1   | Axle                                | 38   | 56755578 | 1   | Brush Wear Indicator Light 220-240V                |
| 15   | 56201018 | 4   | Wheel 5.00 x 1.50                   | 39   | 56201534 | 1   | Pad Holder Assembly <b>(includes #48 &amp; 49)</b> |
| 16   | 56201591 | 1   | Cup                                 | 40   | 56002956 | 1   | Scr, Hex Hd Loc 5/16-18 x .75                      |
| 17   | 56201515 | 2   | Pin                                 | 41   | 56481890 | 1   | P-Clamp  |
| 18   | 56201516 | 1   | Latch                               | 42   | 56002035 | 3   | Scr, Hex Hd 5/16-18 x .62                          |
| 19   | 56201576 | 1   | Guard                               | 43   | 56009029 | 2   | Scr, Pan Phil Thd Form 10-24 x .50                 |
| 20   | 56201521 | 2   | Bushing                             | 44   | 56002832 | 2   | Nut, Hex Nyl Loc-Thin 10-24                        |
| 21   | 56201522 | 1   | Spring, Gas                         | 45   | 56201557 | 1   | Filter, RFI  |
| 22   | 56201524 | 1   | End, Fitting                        | 46   | 56002145 | 1   | Scr, Pan Phil 1/4-20 x .50                         |
| 23   | 56201528 | 1   | Filter                              | 47   | 56201556 | 1   | Bracket  |
| 24   | 56201542 | 1   | Motor 220-240V, 1.5HP, 1800RPM      | 48   | 56201579 | 1   | Cover, Hub   |
| *    | 56201580 | 1   | Armature w/bearings                 | 49   | 56393567 | 1   | Pad Retainer                                       |
| *    | 56201582 | 4   | Carbon Brush                        | 50   |          |     | <b>Intentionally Omitted</b>                       |
| *    | 56183569 | 4   | Carbon Brush Springs                | 51   | 56009002 | 6   | Wsh, Flt .26 x .90 x .008                          |
| *    | 56180163 | 1   | Rectifier                           | 52   | 56201533 | 1   | Guard  |
| *    | 56378380 | 1   | Top Bearing                         | 53   | 56478246 | 2   | Tie, Cable   |
| *    | 56372773 | 1   | Bottom Bearing                      | **   | 56388354 | 1   | Pad, Burnishing 20" <b>(case of 5)</b>             |
| *    | 56183016 | 1   | Commutator Bracket                  | **   | 56505551 | 1   | Union Mix Brush, Burnishing 20"                    |
| *    | 56201581 | 1   | Brush Board Ass                     | **   | 56505550 | 1   | Tampico Brush, Burnishing 20"                      |
| *    | 56201548 | 1   | End Bell                            |      |          |     |  |
| 25   | 56201543 | 1   | Base Housing                        |      |          |     |  |

\* = Not Shown  
\*\* = Not Included



| Item | Ref. No. | Qty | Description                                 |
|------|----------|-----|---|
| S    | 56201648 | 1   | Switch, N.O. DPDT S.50 <b>TSBUS2003-857</b> |
| M    | 56201542 | 1   | Motor 220-240V, 1.5HP, 1800RPM              |
| H    | 56755578 | 1   | Brush Wear Indicator Light 220-240V         |
| E    | 56201557 | 1   | Filter, RFI                                 |

DK-2605 Broendby  
43 23 83 50 – Fax 43 42 15 95

#### **NORGE**

Nilfisk-Advance AS  
Enebakkvn, 119, 0680 Oslo, Postboks 196, Mangroveveien 1  
0612 Oslo  
22 08 63 50 – Fax 22 08 63 63  
Distriktsrepresentanter over hele landet

#### **SVERIGE**

Nilfisk-Advance AB  
Sjöbjörnsvägen 5, 117 67 Stockholm  
085 55 944 00 – Fax 085 55 944 30

#### **FINLAND/ SUOMI**

BERNER Ltd. Facotek Department  
Etäläntä 4B, 00130 Helsinki  
+358 9 1345 1382

#### **AUSTRALIA**

Nilfisk-Advance Pty. Ltd.  
48 Egerton Street  
Silverwater NSW 2128  
(02) 8748 5905 – Fax (02) 9648 2711  
Customer Responce Centre:  
1 800 011 013

#### **BELGIQUE / BELGIË/ LUXEMBOURG**

Nilfisk-Advance s.a./n.v.  
Doornveld/ Sphere Business Park  
Industrie Asse 3, nr 11 – bus 41  
1731 Zellik-Asse  
(02) 467.60.50 Fax (02) 463.44.16

#### **CANADA**

Nilfisk-Advance Ltd.  
396 Watline Avenue  
Mississauga, Ontario L4Z 1X  
(905) 712-3260 – Fax (905) 712-3255

#### **DEUTSCHLAND**

Nilfisk-Advance AG  
Siemensstraße 25-27  
25462 Rellingen  
(041 01) 3990 – Fax (04101) 399191  
Zentraler Kundenservice  
für die Industrie: 0180 535 67 97  
Institutionen und Gebäudereiniger: 0180 500 500

#### **FRANCE**

Nilfisk-Advance S.A.  
BP 246  
91944 Courtaboeuf Cedex  
(01) 69.59.87.00 Télécopie (01) 69.59.87.01

Industrial Building  
31-39 Wo Tong Tsui Street  
Kwai Chung, N.T.  
2427 59 51 – Fax 2487 5828

#### **IRELAND**

Nilfisk-Advance Ltd.  
28 Sandyford Office Park  
Dublin 18  
+353 1 2943838 – Fax +353 1 2943845

#### **JAPAN**

Nilfisk-Advance Inc.  
3-4-9 Chigasaki Minami  
Tsuzuki-Ku Yokohama 224 0037  
045-942-7741 – Fax 045-942-6545

#### **MALAYSIA**

Nilfisk-Advance Sdn Bhd  
Lot 2, 1. Floor  
Lorong 19/1A  
46300 Petaling Jaya  
Selangor Darul Ehsan  
03-7568188 / 03-7568189 / 03-7568388 – Fax 03-7568388

#### **NEDERLAND**

Nilfisk-Advance B.V.  
Flevolaan 7, Postbus 341  
1380 AH Weesp  
0294-462121 – Fax 0294-430053

#### **NEW ZEALAND**

Nilfisk-Advance Limited  
477 Great South Road, Penrose  
Auckland  
(09) 525 0092 – Fax (09) 525 6440

#### **SCHWEIZ / SUISSE**

Nilfisk-Advance AG  
Ringstrasse 19, 9533 Kirchberg/Wil  
719 23 52 83 – Fax 719 23 84 44

#### **SINGAPORE**

Nilfisk-Advance Pte. Ltd.  
22, Woodlands Industrial Park E1  
Singapore 757740  
(65) 759 9100 – Fax (65) 759 9133

#### **TAIWAN**

Nilfisk-Advance Ltd.  
1 F, No.23, Lane 132, Sec. 2  
Ta An Road, Taipei  
700 22 68 – Fax 784 08 43

Bury St. Edmunds  
Suffolk IP 33 3SR  
(01284) 763163 – Fax (01284) 750562

#### **USA**

Nilfisk-Advance Inc.  
14600 2<sup>nd</sup> Avenue North  
Plymouth, MN 55447-3408  
+1 800 989 2235 – Fax 1 800 989 6566

Nilfisk-Advance of America, Inc.  
300 Technology Drive  
Malvern, PA 19355  
(610) 647 647-6427

#### **ÖSTERREICH**

Nilfisk-Advance GmbH  
Vorarlberg Allee 46  
1230 Wien  
1 616 58 30 – Fax 1 616 58 30 40

#### **ESPAÑA**

Nilfisk-Advance, S.A.  
75662 Ara  
Passeig del Rengle, 5 Pl.9-10  
E-08302 – Mataró (Barcelona)  
Tel. 93 741 24 00 – Fax: 93 757 80 20  
Central atención al cliente: 902 200 201  
–

Distribuidores y Servicio Técnico en toda España  
y Andorra

#### **ITALIA**

Nilfisk-Advance Italia Spa  
Località Novella Terza  
26862 Guardamiglio (LO)  
Italy  
+39 0377 414067-54 – Fax +39 0377 414097

#### **PORTUGAL**

Nilfisk-Advance Lda.  
Rua Cândido de Figueiredo, 91-i, 1500-133 LISBOA  
01/7784142 – Fax 01/7785613  
Porto 02/526766 – Fax 02/520739  
Açores 096/628092/3 – Fax 096/628129  
Madeira 091/228965 – Fax 091/228796

#### **GREECE**

ΣΑ Ε. ΡΟ ΤΕ.ΑΙ=ΟΕ 60  
ΥΑ ΥΟ, ΟΙΕ  
164 52 50  
9950613 - Fax 9951680



# Material Composition of the Nilfisk SDH 5120

