

Whirlamatic™ 1100E



PARTS LIST **Advance MODEL 1120E-1(OBSOLETE)**



Nilfisk
Advance
setting standards

2/91 revised 2/01 FORM NO. 56042244

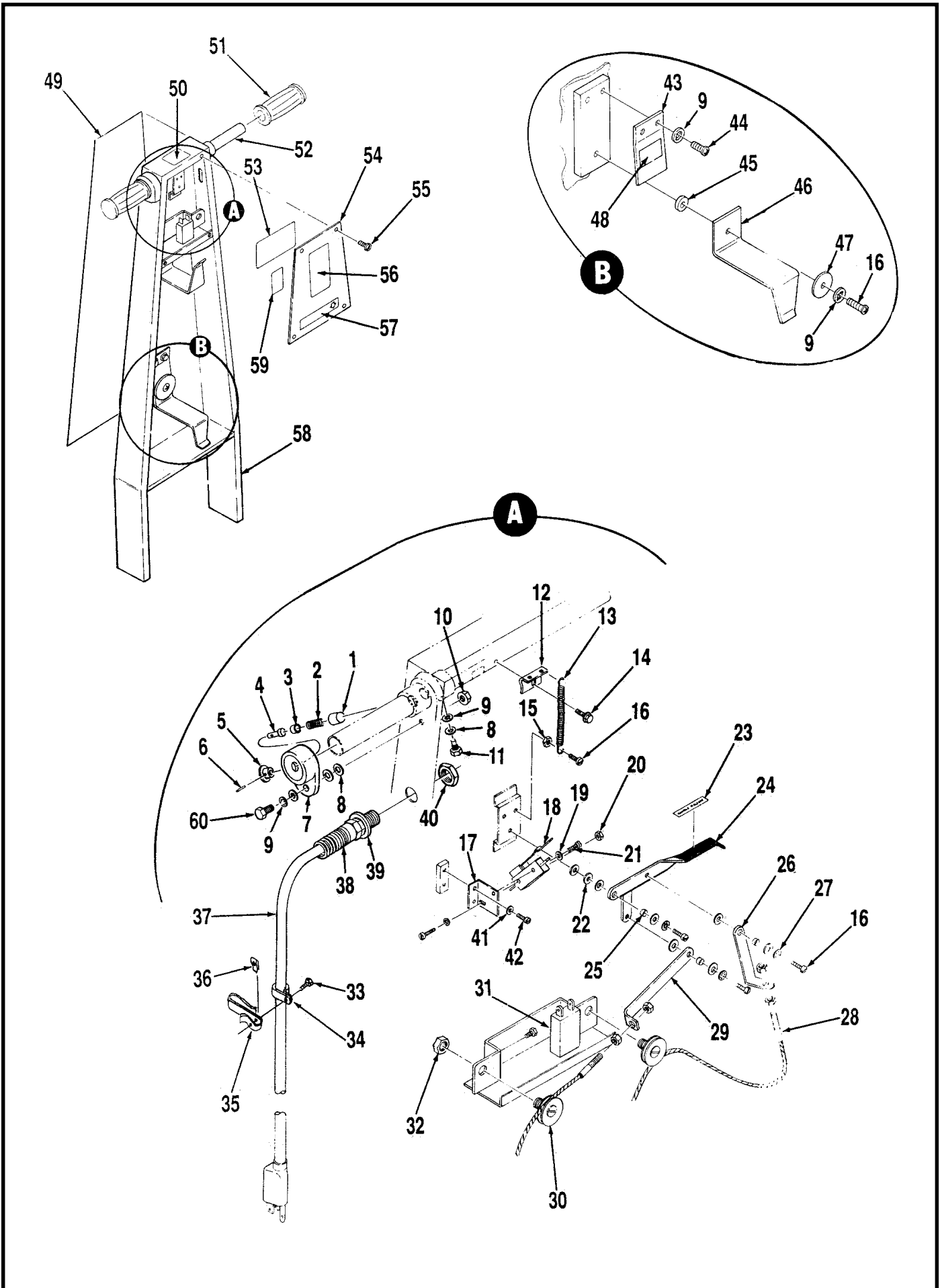
TABLE OF CONTENTS

DESCRIPTION	PAGE
Handle	1-2
Drive Motor	3-4
Base Assembly	5-6
Wiring Diagram	7-8

WHEN ORDERING PARTS

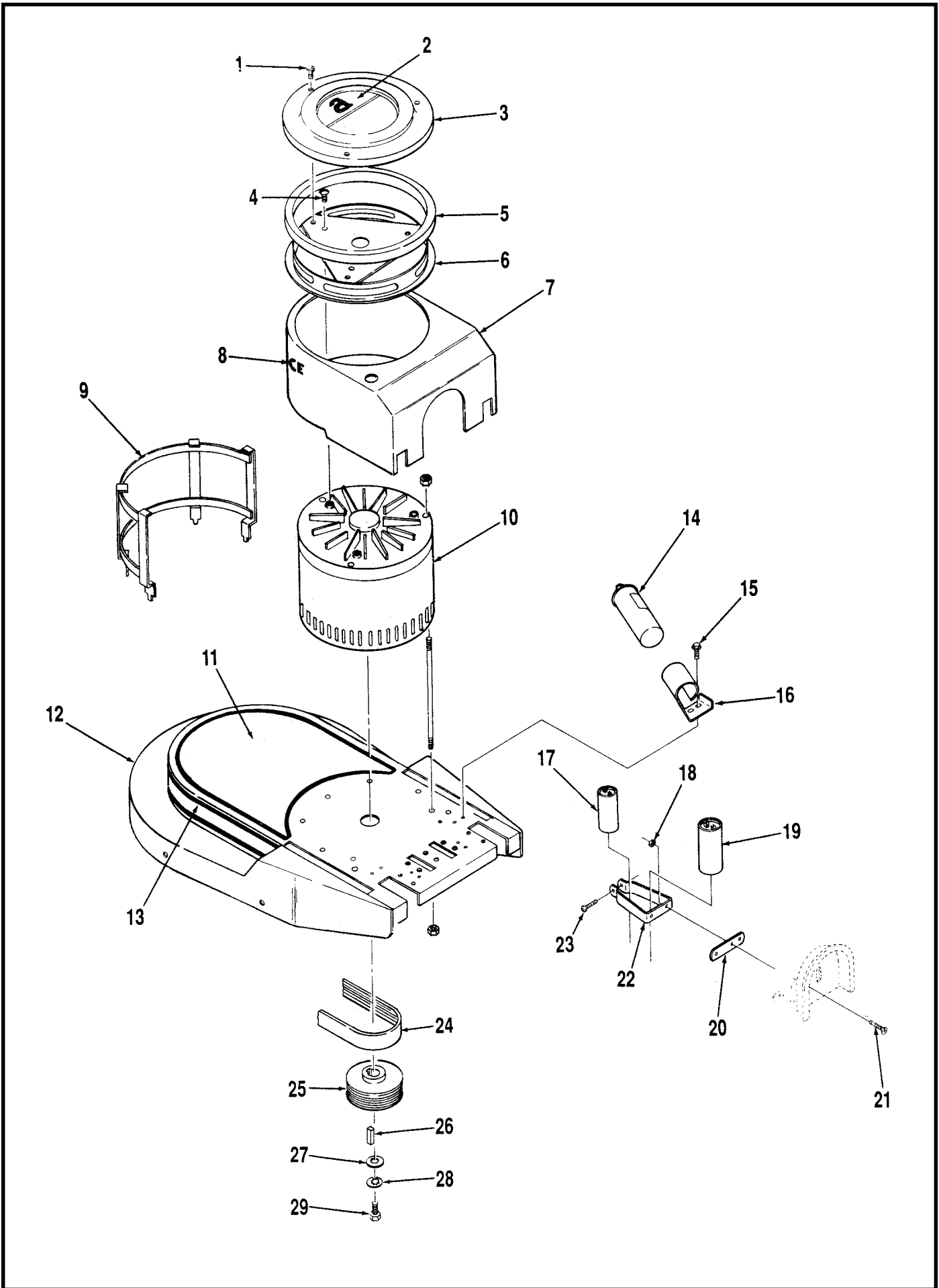
- * Use the 8 digit numbers from the "Part No." columns in this parts list.
- * Specify the model and serial number of the machine.
- * Use the space below to record the model and serial number for future reference.

Model _____ Serial No. _____



HANDLE

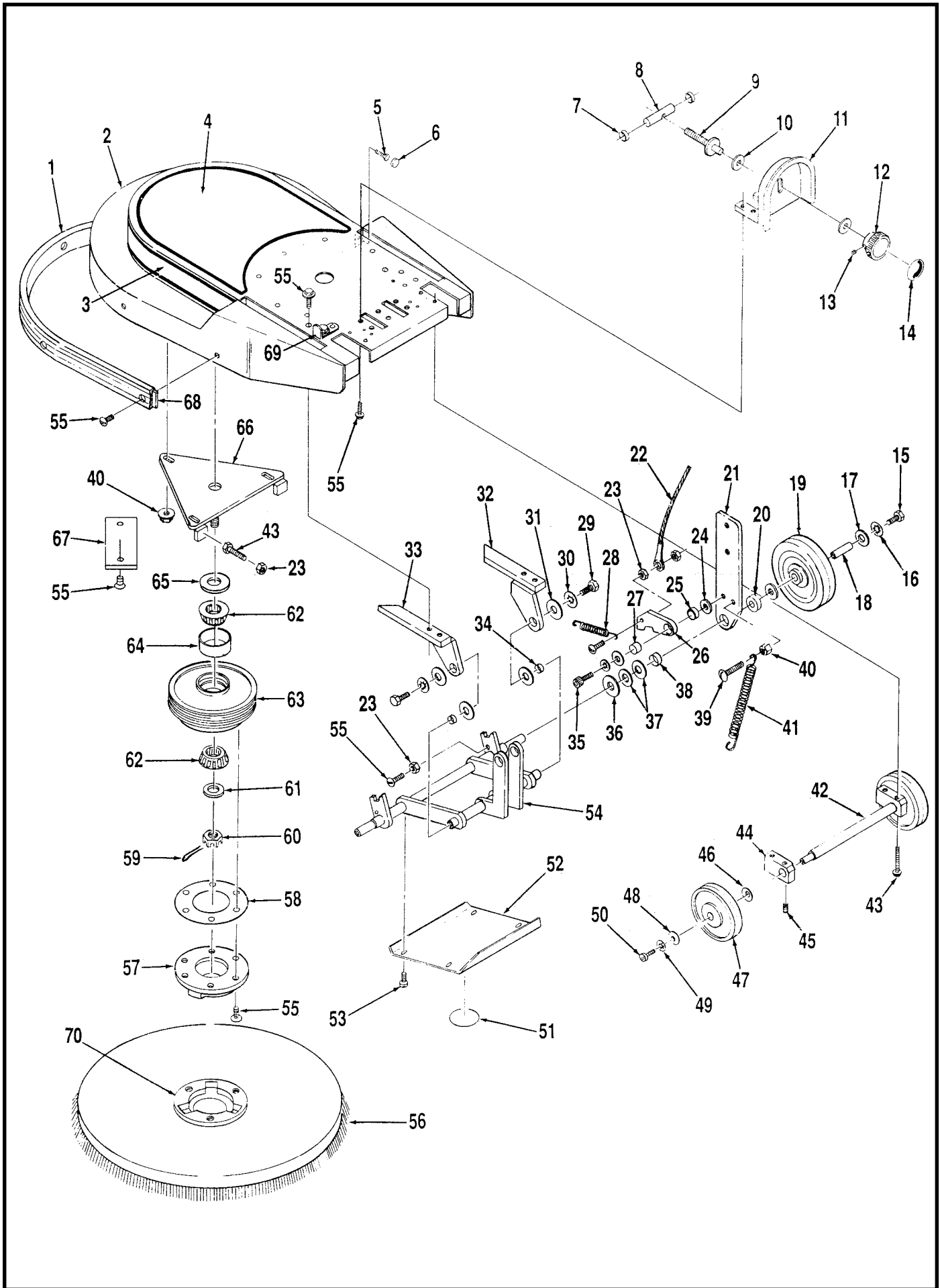
Item	Part No.	Qty	Description	Item	Part No.	Qty	Description
1	56171281	1	Bushing	31	56171535	1	Circuit Breaker
2	56201448	1	Spring	32		2	7/16-14 Nut
3	56171279	1	Plunger	33		1	#1-24 x 3/8 Screw
4	56172217	1	Pin	34	56342319	1	Clamp
5	56201405	1	Knob	35	56300187	1	Belt Clip
6	56003129	1	Spring Pin	36	56322504	1	Spring Nut
7	56172275	1	Collar	37	56331102	1	Cord Set
	56172321	1	Collar Assembly (#4-7)	38	56185504	1	Strain Relief
8		4	1/4 Flat Washer	39	56200433	1	Washer
9		2	1/4 Shakeproof Washer	40	56200441	1	Nut
10		1	1/4-20 Nut	41		2	#8 Flat Washer
11		1	1/4-20 x 1/2 Screw	42		2	#8-32 x 5/8 Screw
12	56395364	1	Tab	43	56172272	1	Spring
13	56328790	2	Spring	44		2	#10-24 x 1/4 Screw
14		1	#8-32 x 1/2 Screw	45	56387678	1	Bushing
15		2	#10-24 Nut	46	56185520	1	Cord Hook
16		6	#10-24 x 1/2 Screw	47	56387684	4	Washer
17	56185249	1	Switch Plate	48	56018336	1	Decal, Cord Hook
18	56385615	1	Switch	49	56014134	1	Decal, Handle
19		2	#6 Shakeproof Washer	50	56014924	1	Decal, Warning
20		1	#6-32 Nut	51	56388545	2	Grip
21		2	#6-32 x 7/8 Screw	52	56171342	1	Tube
22		7	#10 Flat Washer	53	56018512	1	Decal, Wiring
23	56014856	1	Decal, Lever	54	56185523	1	Cover
24	56185240	1	Lever	55		4	#8-32 x 3/8 Screw
25	56151092	3	Bushing	56	56014828	1	Decal, Warning
26	56185237	1	Link	57	56018509	1	Decal, Circuit Breaker
27		3	#10 Shakeproof Washer	58	56185529	1	Handle
28	56384909	2	Cable	59	56014326	1	Decal, Important
29	56185234	1	Link	60		1	1/4-20 x 5/8 Screw
30	56159749	2	Pulley				



DRIVE MOTOR

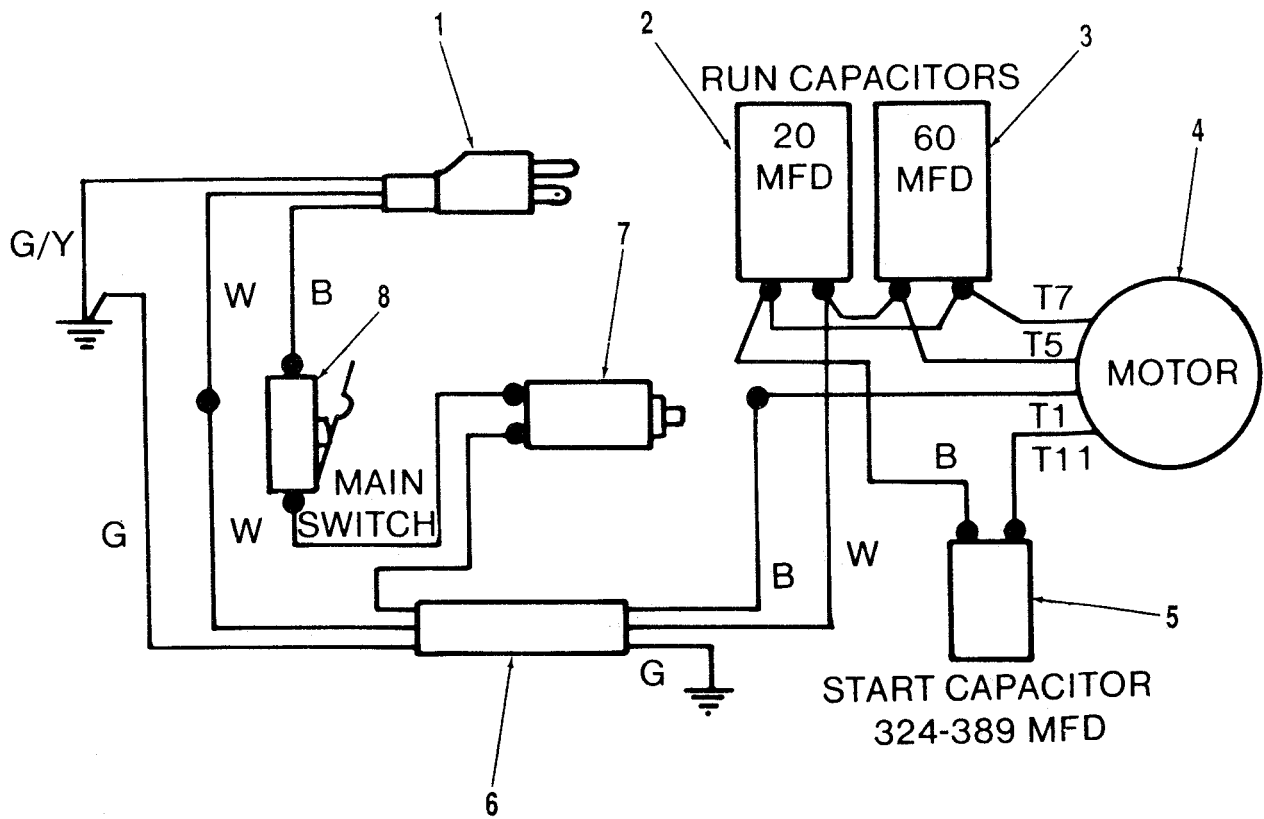
Item	Part No.	Qty	Description
1	56325134	3	Screw
2	56023308	1	Decal, Logo
3	56183125	1	Cover
4		3	5/16-18 x 5/8 Screw
5	56180032	1	Filter
6	56185430	1	Bracket
7	56185525	1	Shroud
8	56014123	1	Decal, Advance
9	56185436	1	Support
10	56185022	1	Motor 115V TSB 550 - G8
*	56185033	1	Rotating Switch
*	56185029	1	Stationary Switch
*	56185028	1	Top Bearing
*	56185178	1	Bottom Bearing
11	56014135	1	Decal, Base
12	56185526	1	Base
13	56014136	1	Decal, Stripe
14	56168440	1	Capacitor 60 MFD
15		1	#10-24 x 5/8 Screw
16	56185458	1	Clamp
17	56185446	1	Capacitor 324-389 MFD
18		2	#10-24 Nut
19	56260070	1	Capacitor 20 MFD
20	56185024	1	Strap
21		2	#10-24 x 1/2 Screw
22	56168447	1	Clamp
23		1	#10-24 x 1 Screw
24	56759066	1	Belt
25	56185442	1	Sheave
26	56158135	1	Key
27	56180200	1	Washer
28		1	5/16 Shakeproof Washer
29		1	5/16-24 x 5/8 Screw

* = Repair Parts for Motor.



BASE ASSEMBLY

Item	Part No.	Qty	Description	Item	Part No.	Qty	Description
	56185528	1	Base Assembly (#1-68)	36		2	5/8 Flat Washer
1	56185146	1	Bumper	37	56159530	4	Washer
2	56185526	1	Base	38	56478781	2	Bushing
3	56014136	1	Decal, Strip	39		2	5/16-18 x 1-1/2 Screw
4	56014135	1	Decal, Base	40		5	5/16-18 Nut
5	56386314	1	Leveler	41	56382000	4	Spring
6	56386316	1	Cap	42	56185328	1	Axle
7	56370878	2	Bearing	43		6	1/4-20 x 1-1/4 Screw
8	56185337	1	Shaft	44	56185334	2	Pillow Block
9	56185331	1	Shaft Adjustment	45		2	1/4-20 x 3/8 Set Screw
10		2	3/8 Flat Washer	46	56163767	2	Spring Washer
11	56185524	1	Bracket	47	56228102	2	Wheel
12	56475480	1	Knob	48	56203874	2	Washer
13		1	#10-24 x 1/4 Set Screw	49		2	#10 Shakeproof Washer
14	56018506	1	Decal, Pad Pressure	50		2	#10-24 x 5/8 Screw
15		2	3/8-16 x 2 Screw	51	56030080	1	Decal, Hands Clear
16		2	3/8 Shakeproof Washer	52	56185346	1	Cover
17	56385358	4	Washer	53		4	#10-24 x 1/4 Screw
18	56185156	2	Bearing	54	56185352	1	Axle
19	56185158	2	Wheel	55		17	#10-24 x 1/2 Screw
20	56449228	2	Collar	56	56505455	1	Pad Holder
21	56185230	2	Plate	57	56185059	1	Drive Cap
22	56384909	2	Cable	58	56158275	1	Gasket
23		6	#10-24 Nut	59		1	Cotter Key
24	56152781	4	Washer	60	56158313	1	Nut
25	56185263	2	Bearing	61	56163449	1	Washer
26	56185231	2	Catch	62	56378267	2	Bearing
27	56320595	2	Bushing	63	56163400	1	Pulley
28	56445177	2	Spring		56171363	1	Pulley Assembly (#63-64)
29		2	1/4-20 x 1 Screw	64	56378259	2	Bearing Cup
30		2	1/4 Shakeproof Washer	65	56171078	1	Seal
31	56370762	4	Washer	66	56185041	1	Plate
32	56185325	1	Right Bracket	67	56185154	2	Weight
33	56185322	1	Left Bracket	68	56185149	1	Bumper Strap
34	56366633	2	Bearing	69	56185410	3	Clip
35		2	5/16-18 x Screw	70	56163341	1	Clutch Plate TSB 628, G-2



WIRING DIAGRAM

Item	Part No.	Qty	Description
1	56331102	1	Power Cord
2	56260070	1	Capacitor 20 MFD
3	56168440	1	Capacitor 60 MFD
4	56185022	1	Motor 115V
5	56185446	1	Capacitor 324-389 MFD
6	56185501	1	Cord
	56185504	2	Strain Relief (for #6)
7	56171535	1	Circuit Breaker
8	56385615	1	Switch



Nilfisk-Advance, Inc.
14600 21st Avenue North
Plymouth, MN, 55447-3408
www.nilfisk-advance.com
Phone: 800-989-2235
Fax: 800-989-6566
©2001 Nilfisk-Advance, Inc.,
Plymouth, MN 55447-3408
Printed in the U.S.A.