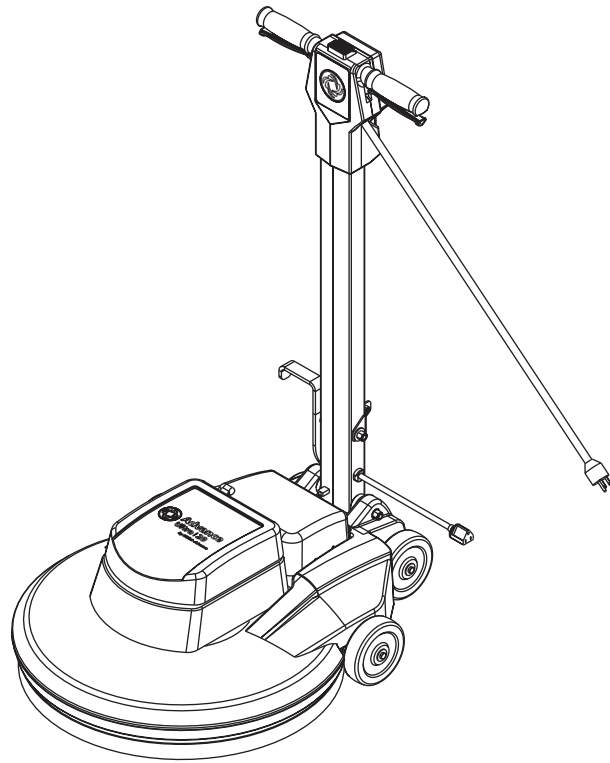


Whirlamatic™ 20 Ultra



PARTS LIST

Advance MODEL 56201503



Advance

by Nilfisk-Advance

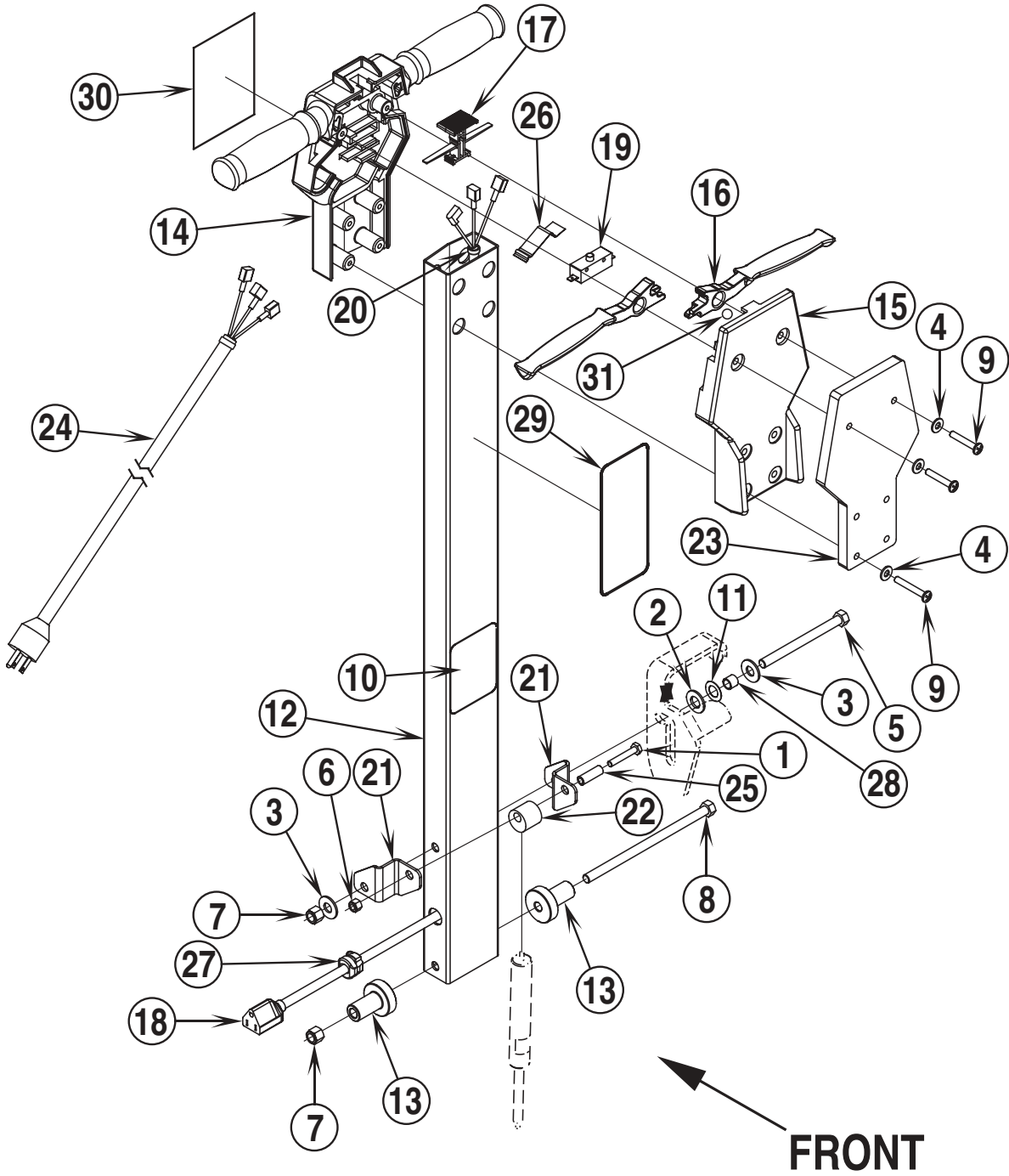
12/96 revised 10/02 FORM NO. 56042318

<u>DESCRIPTION</u>	<u>PAGE</u>
Handle System	4-5
Base System/Wiring Diagram	6-7

WHEN ORDERING PARTS

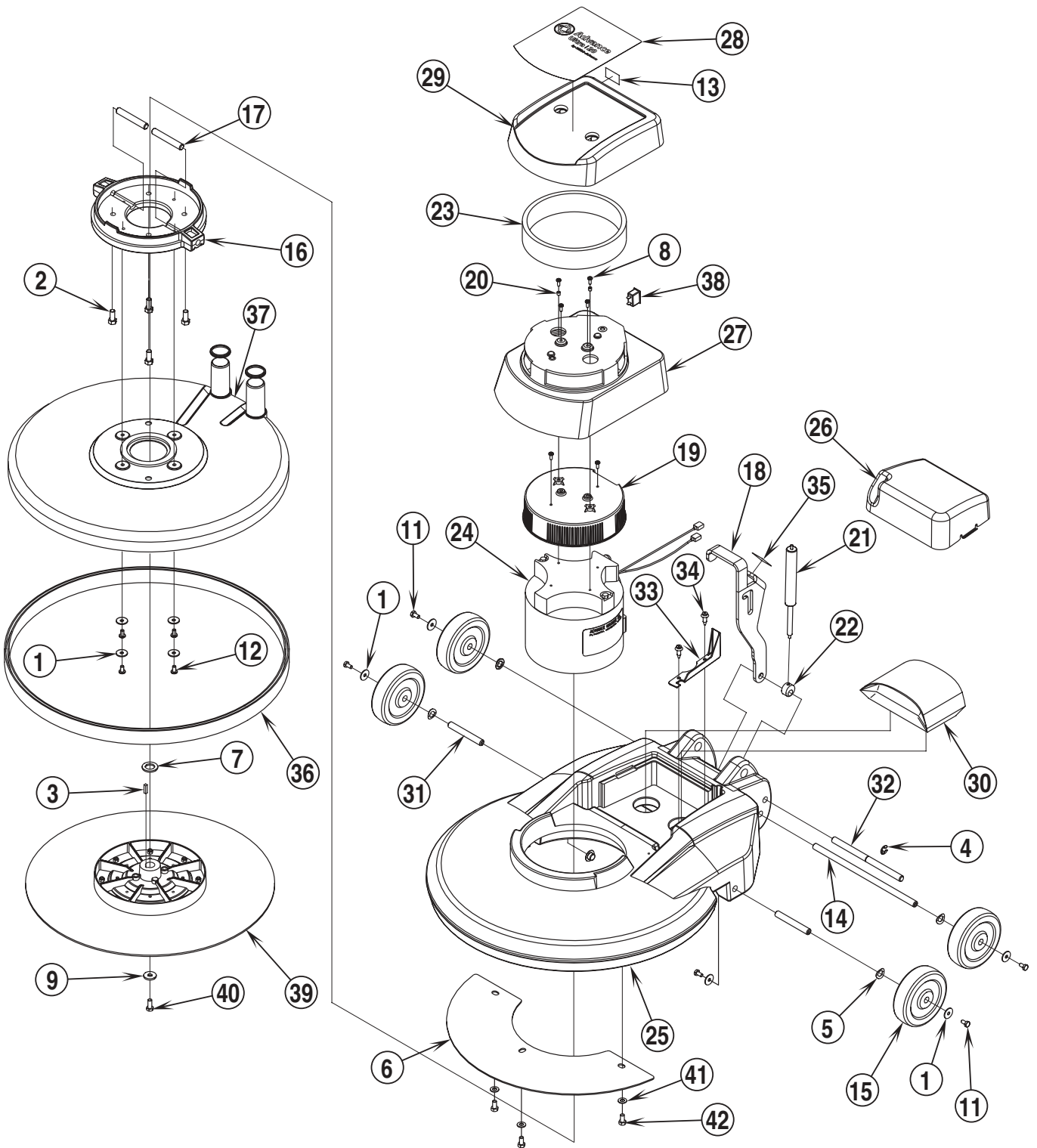
- * Use the 8 digit numbers from the "Ref. No." columns in this parts list.
- * Specify the model and serial number of the machine.
- * Use the space below to record the model and serial number for future reference.

Model _____ Serial No. _____

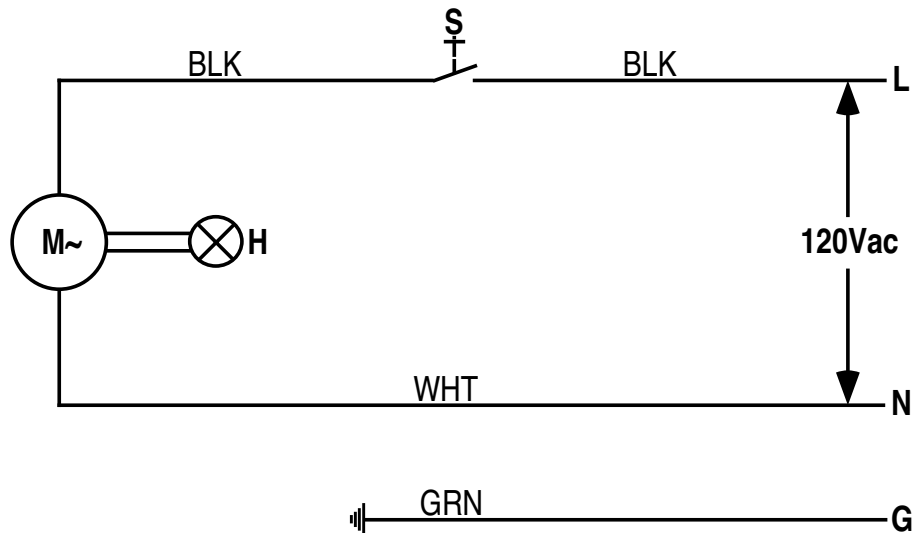


96-12	HANDLE SYSTEM		
02-10	Whirlamatic™ 20 Ultra		5

Item	Ref. No.	Qty	Description
1	56001833	1	Scr, Hex Hd 1/4-20 x 1.50
2	56009003	1	Wsh, Flt .516 x .938 x .075
3	56002055	2	Wsh, Flt STD 3/8
4	56002098	6	Wsh, Flt SAE 1/4 (before SN 1403694)
5	56009241	1	Scr, Hex Hd 3/8-16 x 4.25
6	56002708	1	Nut, Hex Nyl Loc 1/4-20
7	56002769	2	Nut, Hex Nyl Loc 3/8-16
8	56002777	1	Scr, Hex Hd 3/8-16 x 7.00
9	56002786	6	Scr, Pan Phil 1/4-20 x 1.50 (before SN 1403694)
	56002108	6	Scr, Pan Phil 1/4-20 x 2.00 (after SN 1403693)
10	56016064	1	Decal, Latch
11	56009001	1	Wsh, Bowed .51 x .90 x .008
12	56201056	1	Handle Tube (before SN 1403694)
	56201509	1	Handle Tube (after SN 1403693)
13	56201016	2	Bushing
14	56201054	1	Handle
15	56201026	1	Handle Cover
16	56201027	2	Handle Lever
17	56201031	1	Button, Lock
18	56201033	1	Cord Assembly 14/3
19	56201034	1	Switch, N.O. SPST Snap
20			Intentionally Omitted
21	56201523	2	Bracket
22	56201525	1	Mount, Cylinder
23	56201526	1	Weight, Handle (before SN 1403694)
	56201507	1	Weight, Handle (after SN 1403693)
24	56201530	1	Cord Set, 14/3 x 75'
25	56201531	1	Bushing
26	56263648	1	Spring, Plate
27	56382818	1	Strain Relief
28	56388326	1	Bushing
29	56014828	1	Decal, Warning
30	56016429	1	Decal, Logo
31	56201592	1	Ball, 1/4 SS



Item	Ref. No.	Qty	Description	Item	Ref. No.	Qty	Description
1	56009002	10	Wsh, Flt .26 x .90 x .06	25	56201543	1	Base Housing
2	56002271	4	Scr, Hex Hd 3/8-16 x .88	26	56201553	1	Shroud, Vac
3	56003238	1	Key, Sq. .19 x .78	27	56201554	1	Shroud, Motor
4	56003264	1	Ring, Ret. Ext. Type E	28	56016428	1	Decal, Cover
5	56009001	A/R	Wsh, Bowed .51 x .906 x .008	29	56201558	1	Cover, Motor
6	56201585	1	Plate	30	56201569	A/R	Bag, Vac (10 pack)
7	56009022	1	Wsh, Flt .75 x 1.25 x .12	31	56201090	2	Pin, Axle
8	56009029	6	Scr, Pan Phil Thd Form 10-24 x .50	32	56201562	1	Pin
9	56009057	1	Wsh, Flt Harden .34 x 1.00 x .12	33	56201563	1	Cover, Cord
10			Intentionally Omitted	34	56201564	2	Panel Fastener
11	56003039	6	Scr, Hex Loc 1/4-20 x .50	35	56201572	1	Grip Surface
12	56009062	4	Scr, Pan Phil Thd Form 1/4-20 x .50	36	56393565	1	Skirt Assembly
13	56015914	1	Decal, Brush Wear Indicator	37	56201571	1	Shroud Assembly TSB 689
14	56201089	1	Axle		56201617	1	Gasket
15	56201018	4	Wheel 5.00 x 1.50	38	56249527	1	Brush Wear Indicator Light 115V
16	56201591	1	Cup	39	56505194	1	Pad Holder Assy
17	56201515	2	Pin	*	56393567	1	Pad Retainer
18	56201516	1	Latch	40	56002956	1	Scr, Hex Hd Loc 5/16-18 x .75
19	56201576	1	Guard	41	56001939	3	Wsh, Flt SAE 5/16
20	56201521	2	Bushing	42	56002035	3	Scr, Hex Hd 5/16-18 x .62
21	56201522	1	Spring, Gas Cylinder	**	56388354	1	Pad, Burnishing 20" (case of 5)
22	56201524	1	End Fitting	**	56505551	1	Union Mix Brush, Burnishing 20"
23	56201528	1	Filter	**	56505550	1	Tampico Brush, Burnishing 20"
24	56201541	1	Motor, 120V 1.5HP, 2000RPM				* = Not Shown
*	56201551	1	Armature w/bearings				** = Not Included
*	56183563	1	Carbon Brush (set of four)				
*	56183569	1	Carbon Brush Springs (set of four)				
*	56180163	1	Rectifier				
*	56378380	1	Top Bearing				
*	56372773	1	Bottom Bearing				
*	56183016	1	Commutator Bracket				
*	56201547	1	Brush Board Assy				



Item	Ref. No.	Qty	Description
S	56201034	1	Switch, N.O. SPST Snap
M	56201541	1	Motor, 120V 1.5HP, 2000RPM
H	56249527	1	Brush Wear Indicator Light



Nilfisk-Advance, Inc.
14600 21st Avenue North
Plymouth, MN, 55447-3408
www.nilfisk-advance.com
Phone: 800-989-2235
Fax: 800-989-6566
©2002 Nilfisk-Advance, Inc.,
Plymouth, MN 55447-3408
Printed in the U.S.A.