**DESCRIPTION****PLAN**

Fan unit & Cord

B - 0.3.3 - 3

Filters & Upper parts

B - 0.3.3 - 5

Wheels & Lower parts

B - 0.3.3 - 7

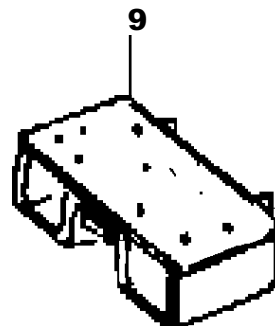
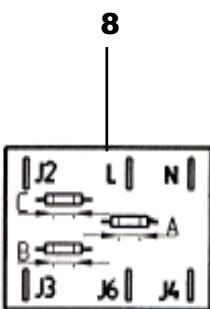
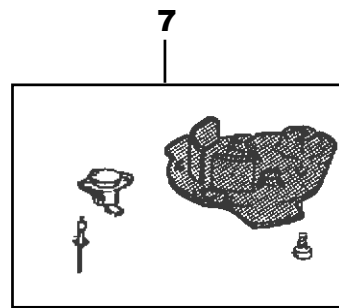
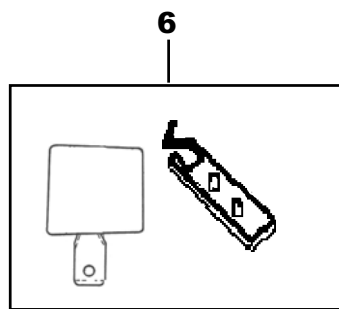
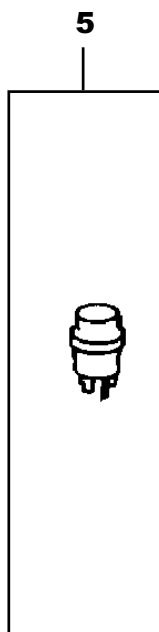
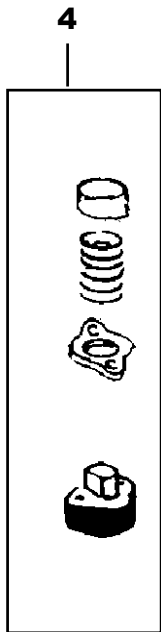
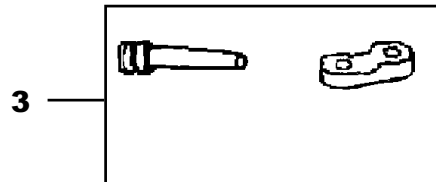
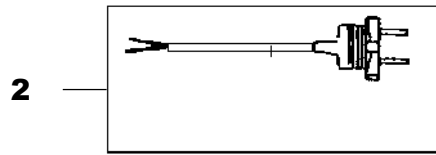
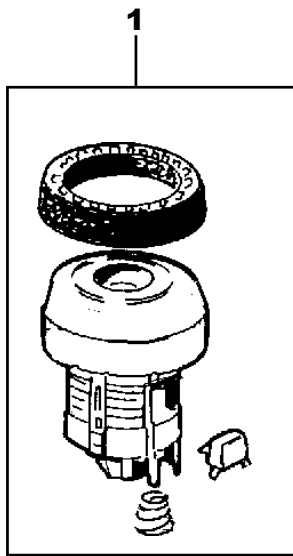
Nozzles

B - 0.3.3 - 9

Hose & Tubes

B - 0.3.3 -11

B 0.3.3 2 FAN UNIT & CORD



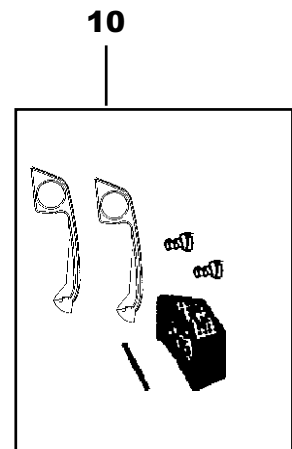
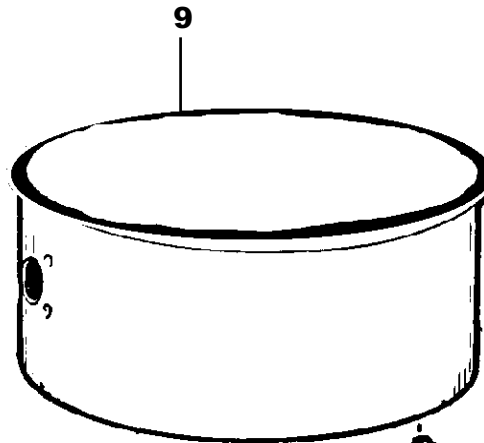
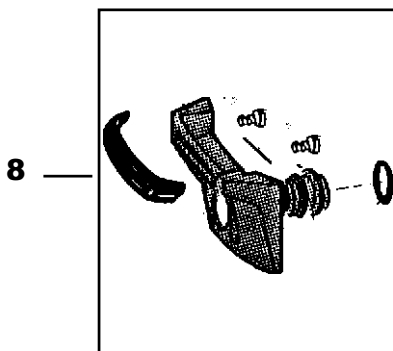
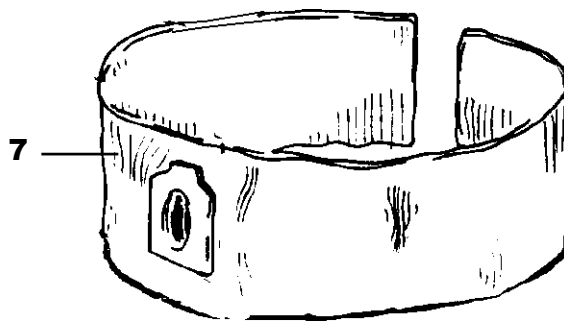
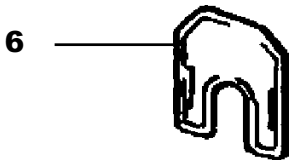
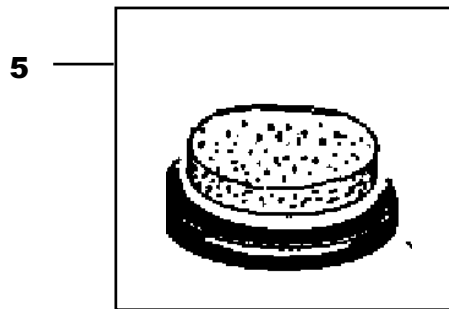
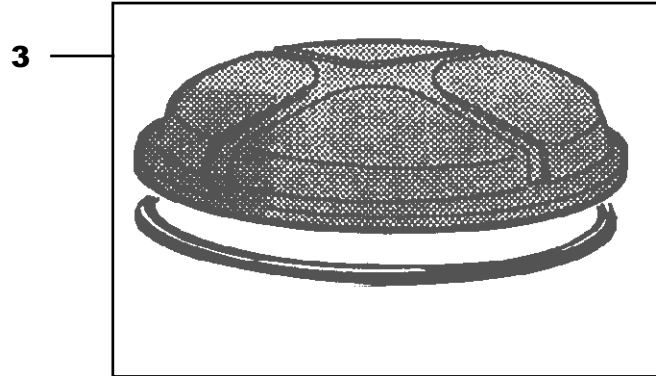
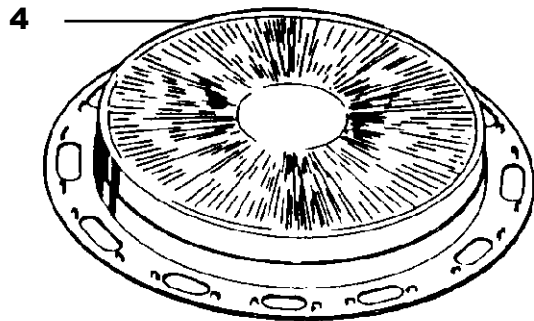
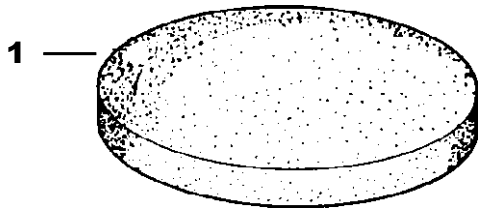
FAN UNIT & CORD

B

0.3.3

3

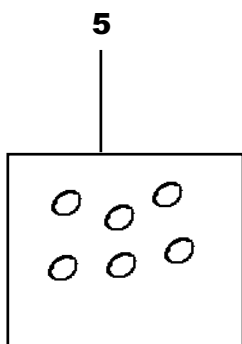
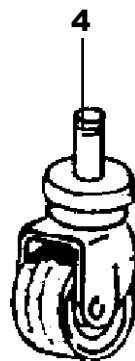
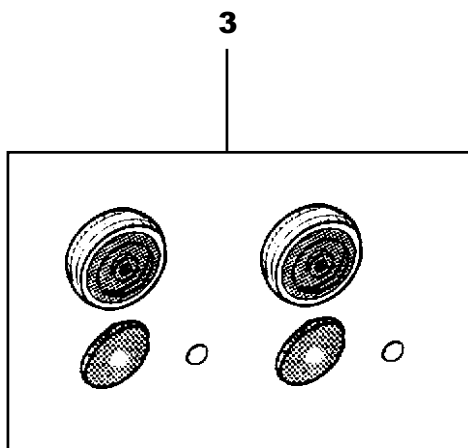
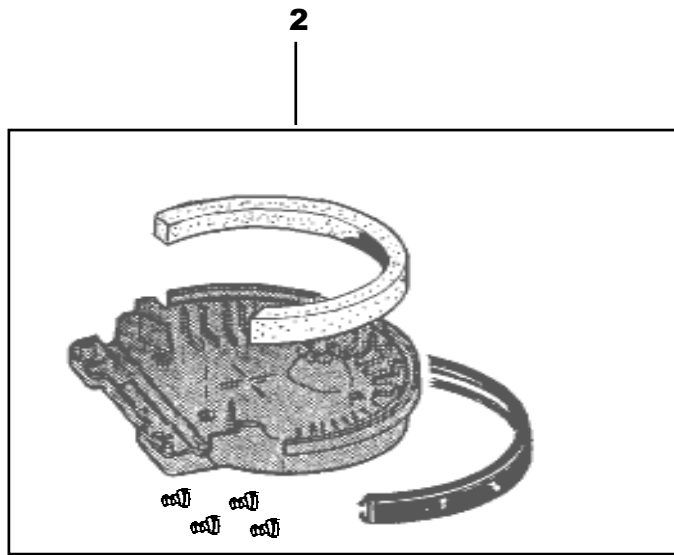
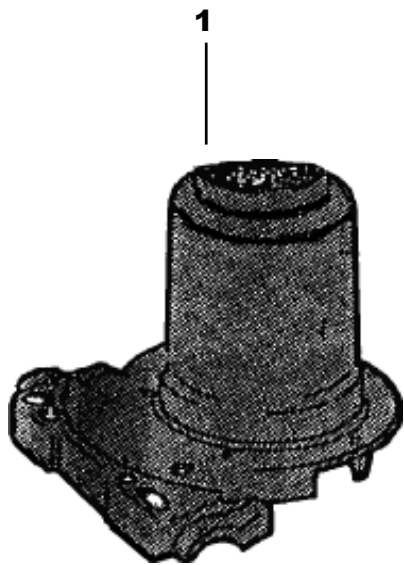
Pos. No.	Part No	Qty.	Description	Note	EAN code
1	140 7902 500	1	Fan unit 230V	Suspension & springs	7319519605785
1	140 7902 510	1	Fan unit 110-120V	"	7319519605792
1	140 7902 520	1	Fan unit 240V	"	7319519605808
1	140 7902 530	1	Fan unit 100V	"	7319519605815
1	140 7902 540	1	Fan unit 127V	"	7319519605822
2	140 6423 500	1	Cord 15 m EU-plug	Double insulated	7319519631777
2	140 6423 510	1	Cord 10 m EU-plug	"	7319519631784
2	140 6423 520	1	Cord 15 m CH-plug	"	7319519631791
2	140 6423 530	1	Cord 15 m UK-plug	"	7319519631807
2	140 6423 540	1	Cord 10 m UK-plug	"	7319519631814
2	140 6423 550	1	Cord 15m US-plug	Double insulated	7319519631821
2	140 6423 560	1	Cord 10m US-plug	Grounded	7319519631838
2	140 6423 570	1	Cord 15 m JP-plug	Double insulated	7319519631845
2	140 6423 580	1	Cord 14 m AU-plug	"	7319519631852
3	140 7035 500	1	Sleeve	W. anti strain clip	7319519631968
3	140 7035 510	1	Sleeve, UL	W. anti strain clip	7319519631975
4	140 7033 500	1	Switch on/off		7319519632613
5	140 7023 500	1	Switch, two speed	For S2-versions	7319519632583
6	010 9678 500	1	Electrical outlet 230V		7319519632378
6	140 7665 500	1	Electrical outlet 250V	15A UL-approved	7319519632637
7	140 7012 500	1	Motor plate,	W. thermo protector	7319519632521
7	140 7012 510	1	Motor plate, UL	W. thermo protector	7319519632538
8	140 7024 500	1	Board anti static		7319519632590
9	140 7026 500	1	Two speed curcuit board 220-240V		7319519629170
9	140 7026 510	1	Two speed curcuit board 100-120V		7319519629187



04-06**SPARE PARTS GD 930 & GD 930S2, UZ 930S & UZ 930S2****BOOK B****05-08****FILTERS & UPPER PARTS****B****0.3.3****5**

Pos. No.	Part No	Qty.	Description	Note	EAN code
1	140 1515 500	1	Filter main	Foam	7319519632385
2	140 3260 500	5	Filter paper	5-pcs.	7319519632415
3	140 7801 500	1	Lid with filter		7319519632651
3	140 7801 510	1	Lid with HEPA-filter		7319519632668
4	140 2666 010	1	HEPA-filter		7319519371475
5	140 1535 500	1	Motor protection	With gasket	7319519632392
6	140 7014 500	3	Locking dustbag		7319519632545
7	140 7015 040	10	Dust bag, paper	10 pcs.	7319519400052
7	140 7019 500	1	Cloth dust bag		7319519404692
7	140 7313 020	10	Dust bag	10 pcs.	7319519408188
8	140 7800 500	1	Handle	Gasket and screws	7319519632644
9	140 7020 510	1	Container	Chromed	7319519632569
10	140 7832 500	2	Latches	2 snap lockings w. screws	7319519632675

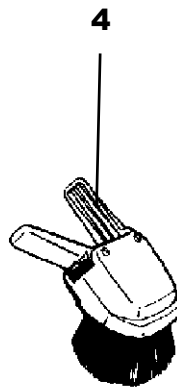
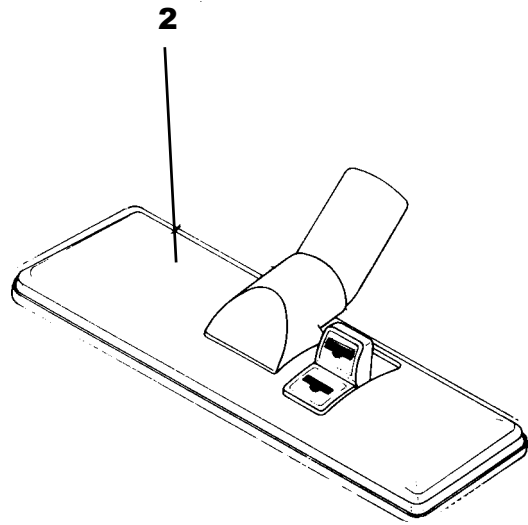
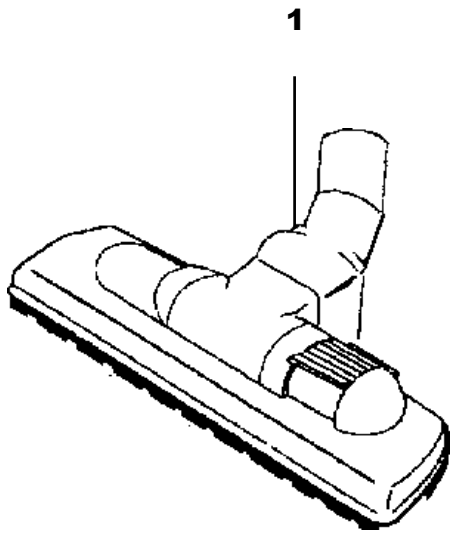
NOTE: Container 140 7020 520 is replaced by container 140 7020 510.



04-06	SPARE PARTS GD 930 & GD 930S2, UZ 930S & UZ 930S2	BOOK B		
05-10	WHEEL & LOWER PARTS	B	0.3.3	7

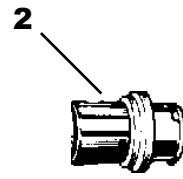
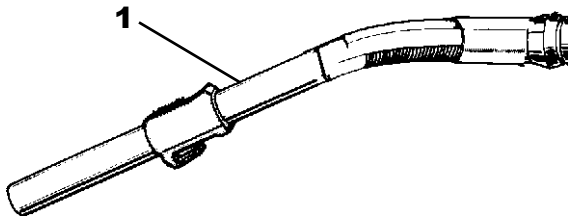
Pos. No.	Part No	Qty.	Description	Note	EAN code
1	140 7010 500	1	Stand		7319519632460
1	140 7010 510	1	Stand S2 version		7319519632477
1	140 7010 530	1	Stand	UL-listed	7319519632484
1	140 7010 540	1	Stand S2 version	UL-listed	7319519632491
2	140 7011 500	1	Base and bumper		7319519632507
2	140 7011 510	1	Base and bumper	UL-listed	7319519632514
3	140 5055 500	2	Wheel rear 2-p	2 wheels and 2 washers	7319519632439
4	140 7025 500	1	Wheel front	1 wheel	7319519632606
5	>> 140 5058 500	6	Lock washers	6 pcs.	7319519652796

>> Means: New or changed ref. number or/and changed/new specifications

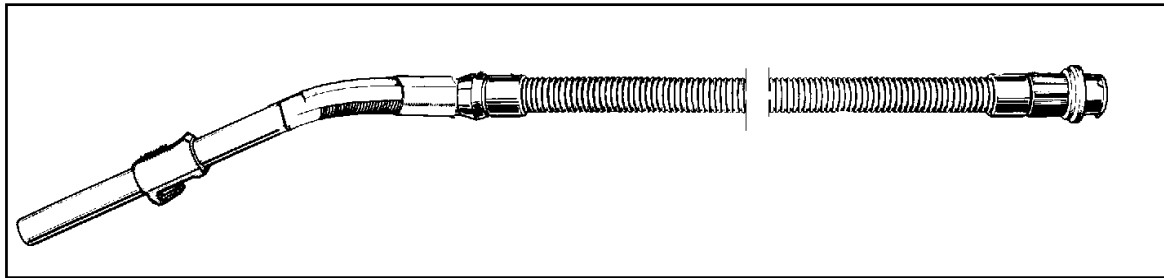


04-06	SPARE PARTS GD 930 & GD 930S2, UZ 930S & UZ 930S2	BOOK B		
	NOZZLES Ø 32 MM	B	0.3.3	9

Pos. No.	Part No	Qty.	Description	Note	EAN code
1	140 7087 500	1	Combi nozzle	Colour: Black	7319519632620
2	140 5634 500	1	Combi nozzle	Colour: Black	7319519632453
3	010 3098 500	1	Crevice nozzle	Colour: Black	7319519629156
4	011 3104 500	1	Small combi nozzle	Colour: Black	7319519629163



3



4



04-06**SPARE PARTS GD 930 & GD 930S2, UZ 930S & UZ 930S2****BOOK B****HOSE & TUBES Ø 32 MM****B****0.3.3****11**

Pos. No.	Part No	Qty.	Description	Note	EAN code
1	140 5116 500	1	Hose handle		7319519632446
2	140 3846 500	1	Cuff w. bayonet coupl.	D 32 mm	7319519632422
3	140 2782 500	1	Hose, Alu. handle	D 32 mm	7319519632408
4	011 6431 500	1	Extension tube aluminium	500 mm	7319519631685