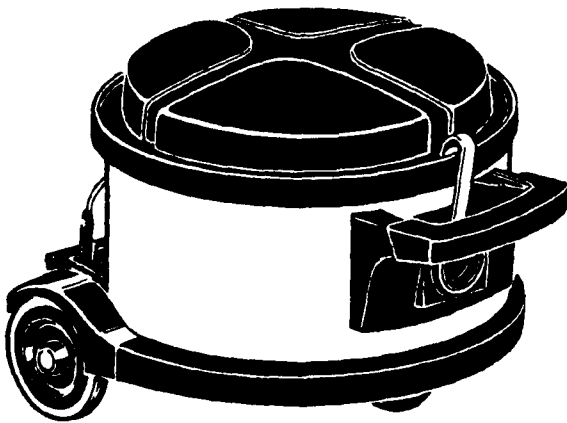


# KENT

MODEL **KT-151**  
**Dry Tank Vacuum**  
**and**  
**Power Head**



## OPERATING & MAINTENANCE INSTRUCTIONS

## ILLUSTRATED PARTS LIST

MAY 1987

Write the model and serial number of your unit in the space provided. Refer to the rating plate on unit.

Model #

Serial #

Retain this owner's guide for future reference.

### THE KENT COMPANY

P.O. Box 1665

2310 Industrial Parkway

Elkhart, IN 46515 (219)293-8661

~~Western Branch - 9865 South Pioneer Blvd.  
Santa Fe Springs, CA 90670 (213)949-9351~~

## IMPORTANT SAFEGUARDS

Accidents due to misuse can only be prevented by those using the machine. To guard against injury, basic safety precautions should be observed, including the following:

Read and follow all safety instructions. **WARNING** - ELECTRIC SHOCK COULD OCCUR IF USED OUTDOORS OR ON WET SURFACES

This vacuum cleaner is designed to be safe when used to perform cleaning functions as specified in the Owner's Guide. Should damage occur to electrical or mechanical parts, cleaner and/or accessory should be repaired by manufacturer or competent service station before using in order to avoid further damage to machine or physical injury to user.

- A damaged power cord could cause electrical shock and/or fire. To minimize this possibility observe the following precautions:

Do not run cleaner over power cord.

Avoid closing doors on power cord, pulling it around sharp edges, or placing sharp-edged objects upon it.

When disconnecting power cord from electrical outlet, grasp the plug. Pulling it out by the cord itself can damage cord insulation and internal connections to plug. Also, avoid damage to insulation by keeping cord away from oil and heat.

- Your vacuum cleaner creates suction and contains a revolving brush. To avoid bodily injury from suction or moving parts, vacuum cleaner brush, hose, wands and attachments should not be placed against, or in close proximity to loose clothing, jewelry, hair, or body surfaces while cleaner is connected to electrical outlet. Cleaner should not be used to vacuum clothing while it is being worn.
- Whenever possible, plug your cleaner into a standard wall outlet. Use of extension cord or light socket with inadequate current-carrying capacity could result in electric shock or fire hazard.
- Disconnect cleaner from electrical outlet before servicing, such as changing bags or belts. You could receive bodily injury from moving parts of machine should switch accidentally be turned on.
- When using your cleaner to vacuum another electrical appliance, such as removing lint from a clothes dryer, be sure to disconnect appliance being vacuumed from the electrical outlet in order to minimize chances of electrical shock.
- Do not use your vacuum cleaner in areas where flammable and/or explosive vapor or dust is present to avoid possibility of fire or explosion. Some cleaning fluids can produce such vapors. Areas on which cleaning fluids have been used should be completely dry and thoroughly aired before being vacuumed.
- Attachments such as demoters and paint sprayers can cause toxic, flammable, explosive, or suffocating vapors in indoor areas. Use only attachments recommended by manufacturer of your vacuum cleaner.
- To avoid fire hazard, do not pick up matches, fireplace ashes or smoking material with cleaner.
- Keep your work area well lighted to avoid picking up harmful materials (such as liquids, sharp objects or burning substances) and/or tripping accidents.
- Use care when operating the cleaner on irregular surfaces such as stairs. A falling cleaner could cause bodily injury and/or mechanical damage. Proper storage of machine in an out-of-the-way area immediately after use will also prevent accidents caused by tripping over cleaner.
- Store your vacuum cleaner indoors in a cool, dry area not exposed to the weather to avoid electrical shock and/or cleaner damage.
- Exercise strict supervision to prevent injury when using vacuum cleaner near children or when child is allowed to operate vacuum cleaner. Do not allow children to play with vacuum cleaner and never leave cleaner plugged in and unattended.

SAVE THESE INSTRUCTIONS

## GENERAL INFORMATION

BEFORE YOU PLUG IN YOUR CLEANER, check the voltage rating plate located on the cleaner near the power switch to check if it agrees within 10% of the voltage available (See "Rating Plate"). Connect only to a grounded (3-wire) electrical outlet.

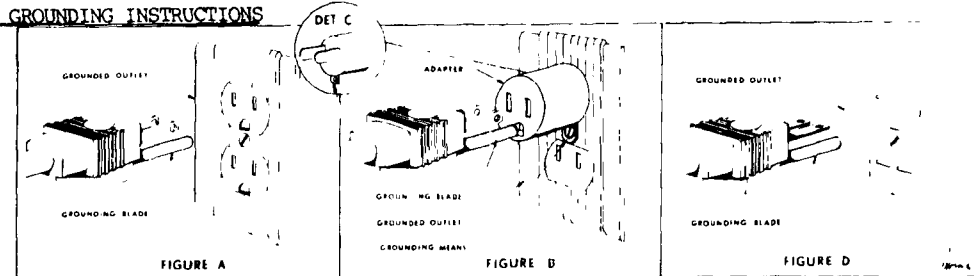
This vacuum cleaner is equipped with a thermo protection switch to prevent overheating of components. Should this safety switch shut the system down, it is necessary to wait at least 10 minutes for it to automatically reset. Remove clogged elements in hose or bag during this period.

This vacuum cleaner is equipped with an extra long filter bag, be sure bag when installed is not folded or kinked and therefore preventing proper operation and expansion. Slide bag over inlet tube and secure cardboard with 140 2024 00/6 Locking Clip, illustrated.

**DO NOT OIL.** The motors in both the vacuum and the motorized nozzle are permanently lubricated. Do not oil either motor at any time.

The filter bag may have become dislodged in shipping. Check the bag to insure proper seating before attempting to use the cleaner. Do not operate the cleaner without the filter bag as damage may result to the motor.

## GROUNDING INSTRUCTIONS



This vacuum cleaner should be grounded while in use to protect the operator from electric shock. The machine is equipped with a 3-conductor cord and a 2-prong grounding type attachment plug cap to fit the proper grounding type receptacle. The green (or green & yellow) conductor in the cord is the grounding wire. Never connect this wire to other than the grounding blade.

**VACUUM CLEANER RATED LESS THAN 150 VOLTS** - If the vacuum cleaner is provided with an attachment plug cap as shown in Figure A, it is intended for use on a 120V (nominal) circuit. If a properly grounded receptacle as shown in Figure A is not available, an adapter as shown in Det. C is available and should be installed as shown in Figure B if the outlet box that houses the receptacle is grounded. Be sure to fasten the grounding tab with the faceplate screw.

**VACUUM CLEANER RATED 150-250 VOLTS** - If the machine is provided with an attachment plug cap as shown in Figure D, it is intended for use on a 240V (nominal) circuit. No adapter is available for this cap.

## SAFETY RECOMMENDATIONS

For long service life and safe use of your vacuum cleaner, we recommend the following guidelines:

- Your cleaner is designed to pick up dirt and dust particles; it is not designed for water pick up. Avoid picking up hard or sharp objects with your cleaner to avoid bag breakage, hose clogging, or possible motor damage.

## BE SAFE - AVOID POSSIBLE HAZARDS

- Powerhead model has exposed revolving brush rolls. Precautionary measures should be taken to confine long hair, loose clothing, fingers, etc., from contacting the brush roll when the cleaner is connected to an electrical outlet.

## SERVICE INFORMATION

To obtain consistent performance over the life of your vacuum, read through these instructions and keep them handy for future reference. If you require service, contact the dealer from whom the vacuum was purchased, or the local authorized Kent Service Station. Always refer to your Kent Limited Warranty for complete service information.

## RATING PLATE

THE KENT CO.		
ELKHART INDIANA USA		
SERIAL NO.	MODEL	
VOLTS	PHASE	Hz
MOTOR 1	A.M.P.	H.P.
MOTOR 2	A.M.P.	H.P.

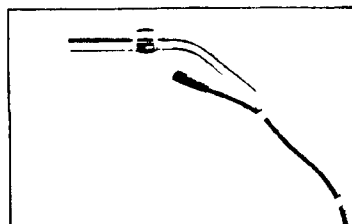
The model, type, and serial number are indicated on the rating plate. For prompt and complete service information, always refer to these numbers when inquiring about service.

### USING THE MOTORIZED NOZZLE

Assembly instructions for the motorized nozzle are included in the packaging.

Insert the curved wand handle into the motorized nozzle wand.

An extension cord with a special fitting is provided to make the electrical connection between the motorized nozzle and your cleaner. Make the electrical connection between the motorized nozzle supply cord and the extension cord.

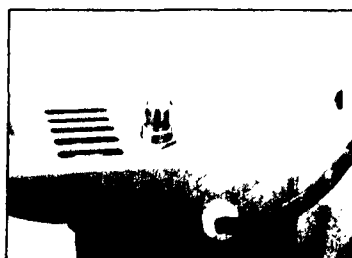


Attach the extension cord to the nose with the cord locator straps, spacing them evenly along hose. Once in place, the straps need not be removed from the hose.

Plug hose cord into power outlet located at rear of vacuum cleaner.

Plug the cleaner power cord into an electrical outlet.

Cleaner power switch operates with a touch of the foot. Push orange button to turn ON; push again to turn OFF.



The motorized nozzle power switch operates with a touch of the foot also. Push to turn ON; push again to turn OFF.

NOTE: Both the vacuum cleaner and the motorized nozzle must be turned on to operate the motorized nozzle.

### THE MOTORIZED NOZZLE IS DESIGNED TO BE USED ON CARPETING ONLY

#### TO RELEASE THE MOTORIZED NOZZLE HANDLE

Place foot lightly on top of nozzle housing along either side of handle socket while lowering handle from upright to comfortable work position. When not in use, unit will stand upright. When using other cleaning tools, BE SURE TO DISCONNECT the hose cord from the cleaner outlet.

#### EDGE CLEANER

Edge Cleaner feature provides for improved cleaning of carpets near walls and stationary furniture. Slots on the sides of nozzle increase air flow to the edges of the cleaner and add to the cleaning efficiency of the cleaner. To operate, simply run cleaner along edge board. Edge Cleaner operates instantly and automatically.

#### CARPET CLEANING ADJUSTMENT

The nozzle height is instantly and automatically adjusted to any carpet pile length. The floating head feature of your motorized nozzle allows the nozzle to float evenly and parallel to all carpet surfaces without manual adjustment.

#### HOW TO USE YOUR CLEANING TOOLS

To use your cleaning tools, slip the straight end of the wand into the circular end of the tools with a twisting motion until it is secure. Use curved wand with the floor and wall brush, pushing dimpled end into nozzle opening until wand "clicks" in and brush turns freely.

Join the two aluminum handle sections by inserting one section into the larger end of the second section.

## THE BRUSH ROLL BELT

The brush roll belt on the motorized nozzle drives the brush roll to provide agitation, sweeping action and combing of the nap.

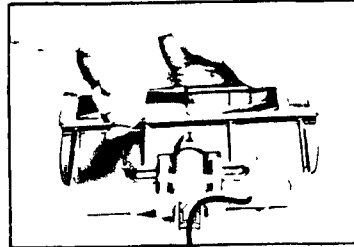
### WHEN TO REPLACE

The brush roll belt should be checked regularly to be sure it is in good condition. Check to see if the belt is stretched or cracked or if excessive slipping is occurring. Replace if needed.

### HOW TO REPLACE A WORN BELT

NOTE: Be sure to disconnect unit from electric supply before replacing belt.

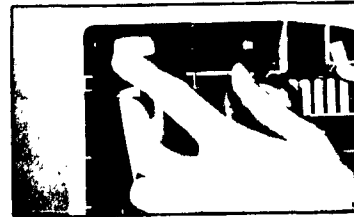
Remove chrome bottom plate by removing the two phillips screws on bottom of unit.



Remove the worn or broken belt from the brush roll pulley and the motor drive shaft.



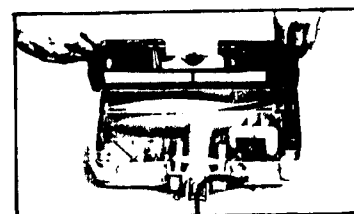
Loop the new belt around the center of the motor drive shaft. Slip the opposite loop of the belt between the brush roll pulley and the nozzle housing.



Using the thumb and the finger, rotate the belt on the pulley, wrapping the belt all the way around the pulley.



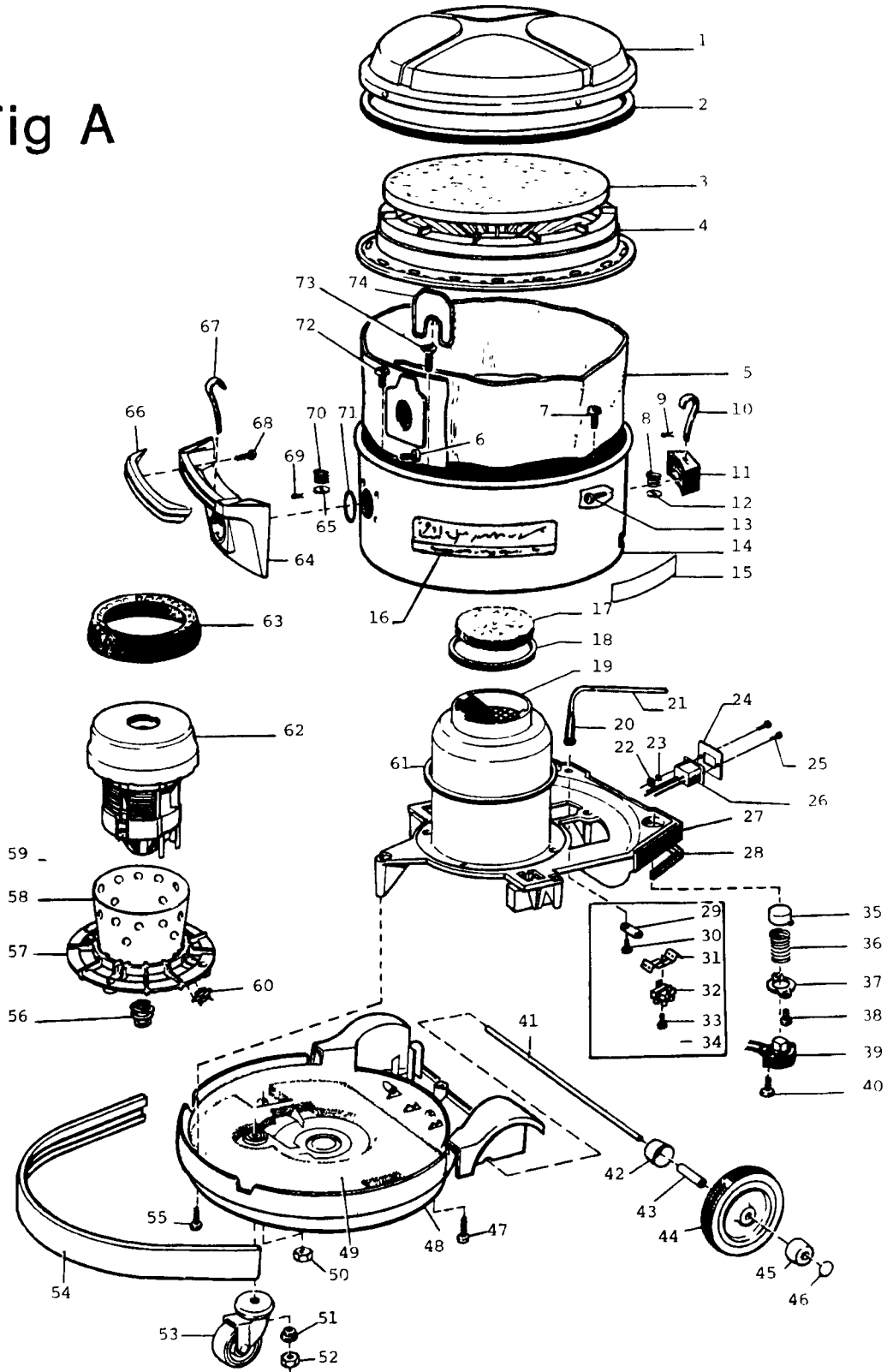
Place the lip on front of the chrome bottom plate over the ridge across the front of the nozzle.

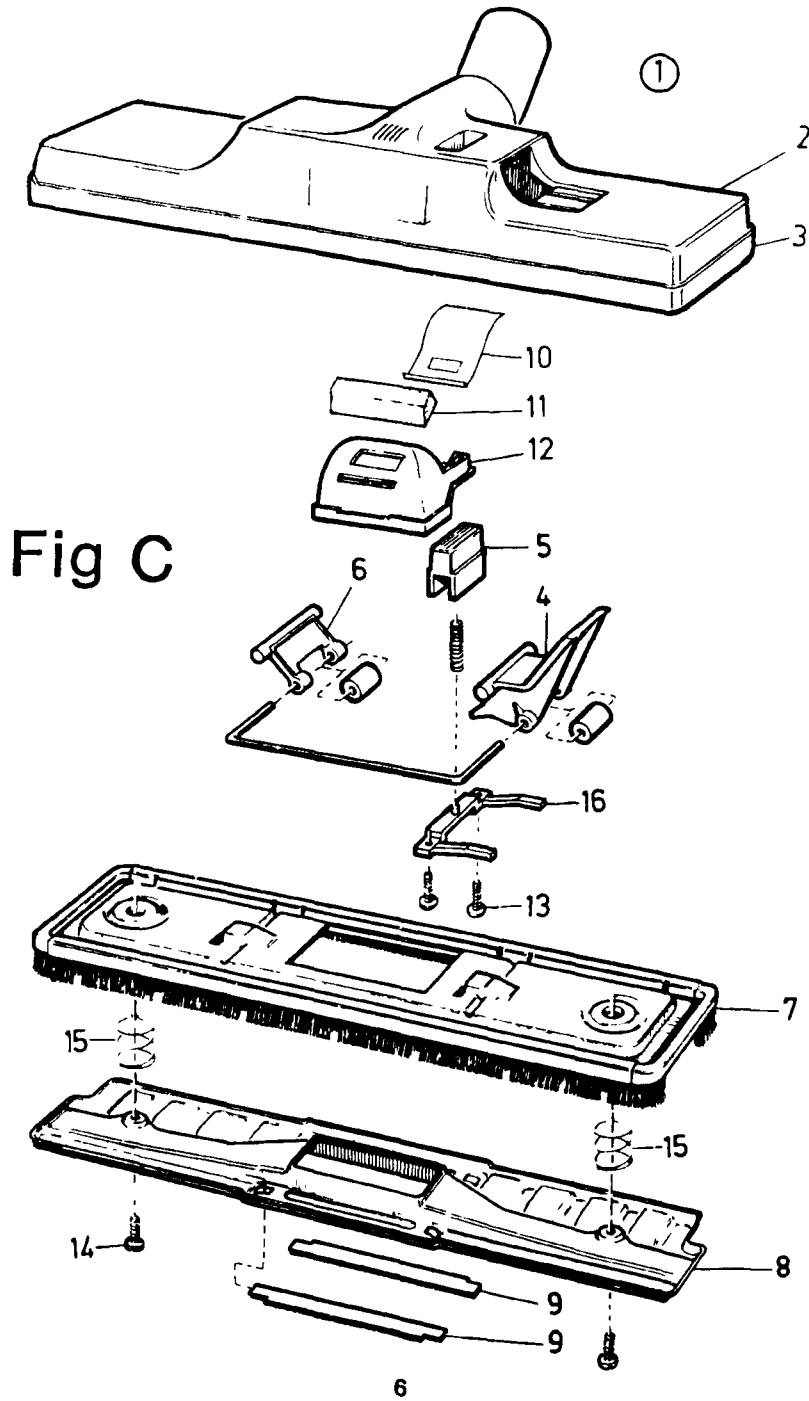
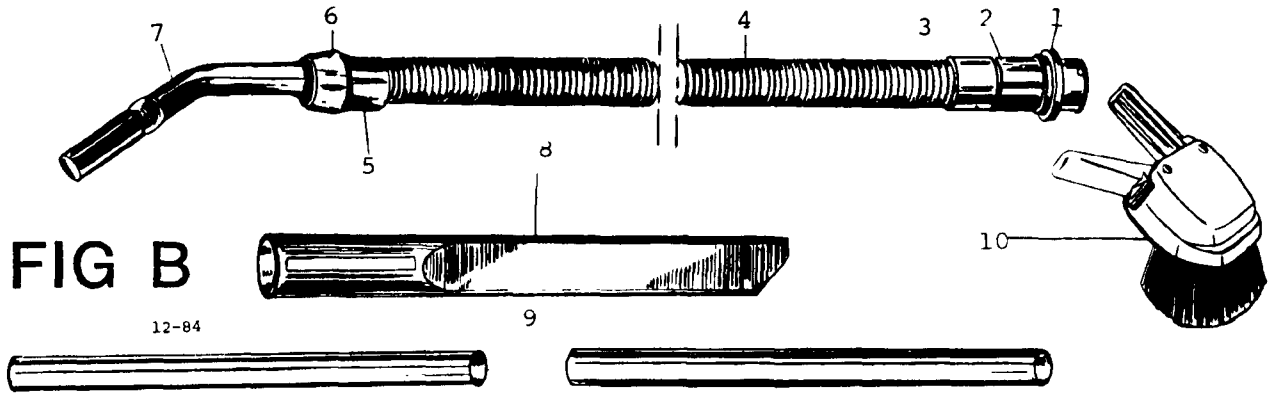


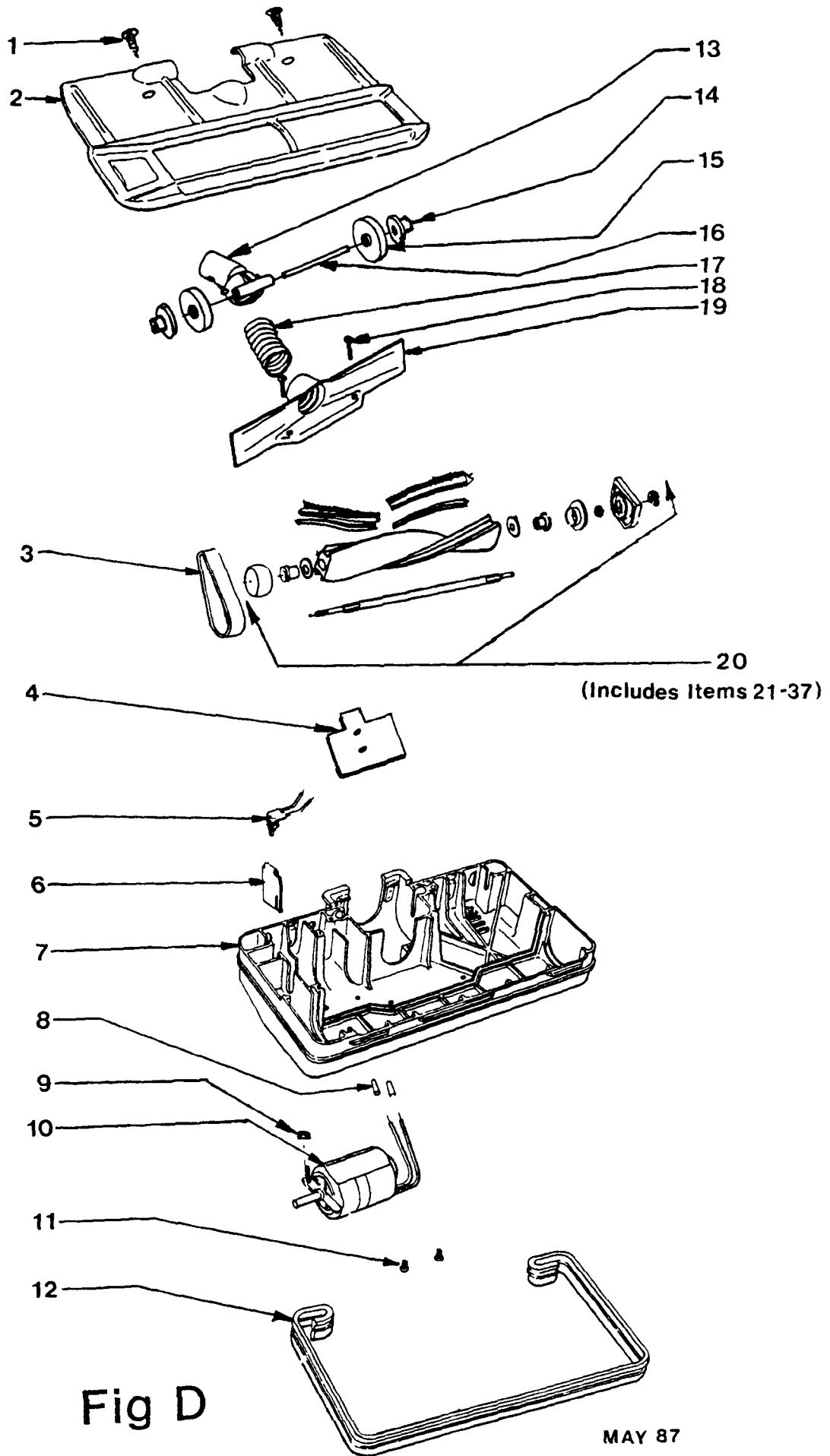
Secure the chrome bottom plate by replacing the two phillips screws.

Be sure to use only KENT replacement belts. Ask for Brush Roll Belt No. E35967.

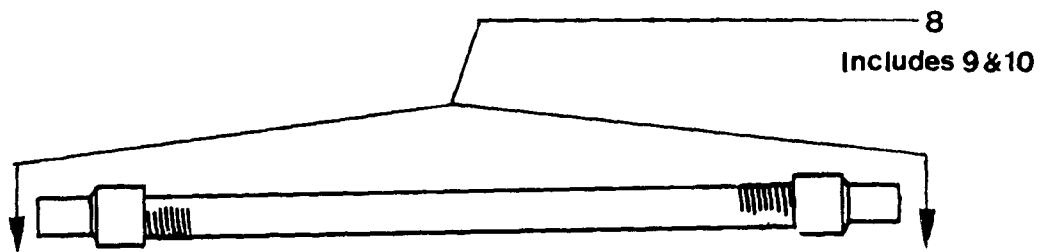
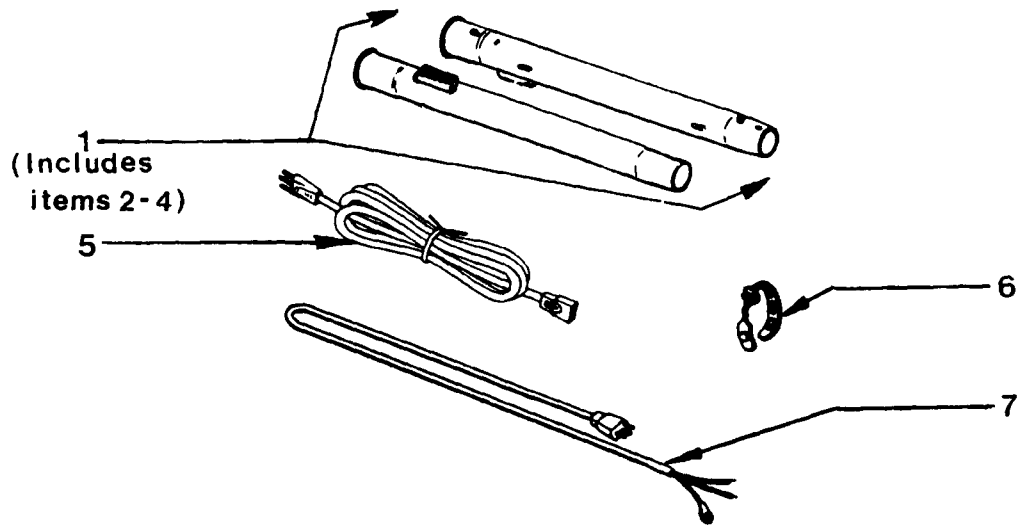
Fig A











REF. NO.	PART NO.	DESCRIPTION	NO. REQ.
<b>FIGURE A</b>			
1	1401504103	COVER, COMPLETE--BLK, KT-151, SVC	1
2	1400061930	GASKET	1
3	1401515000	FILTER	1
4	1401500002	FILTER HOLDER, COMP	1
5	1401537010	BAG, DUST--10 PIECES	1
6	7295344019	SCR MTRC PAN HD B8 X16 TAPPG	14
7	7295342013	SCR MTRC PAN HD B8 X13 TAPPG	4
8	1401519002	SPRING, COMP .562D .700L .045WD	2
9	7216802012	SPLIT PIN	2
10	1401507007	SPRING	2
11	1401509011	SUPPORT, BLACK	1
12	1401512007	RETAINER, SPRING--CLAMP	2
13	7295344019	SCR MTRC PAN HD B8 X16 TAPPG	1
14	1402039034	CONTAINER--CHROME PLT, KT-151	1
15	E36219	LABEL, INSTR--WRN, ELEC SHOCK	1
16	050601	LABEL, INST--KFNT INDL DRY VAC	1
17	1401535000	FILTER-- SERVICE ITEM	1
18	1402847006	GASKET	1
19	1403883000	STAND	1
20	1403696000	PROTECTION SLEEVE	1
21	E48344-4	CORD, POWER--18-3, SJT, BLK, 35"	1
22	003274	NUT, HEX-- 6-32, ZN PLT	2
23	004459	WSHR LK .146ID, 28300, 018T INT	2
24	E36427	PLATE-COVER	1
25	005559	SCR NYL RD HD 6-32X.625L	2
26	051164	ASM, RECEPTACLE & TERMINAL--	1
27	1403884000	BUMPER	1
28	1401637002	PACKING	1
29	0019712010	STRAP, RTNG--POWERCORD	1
30	7295281013	SCR MTRC PAN HD B6 X13 TAPPG	4
31	1401638000	CABLE, HOLDER--KT-151, SERVICE	1
32	026534	TERMINAL BLOCK--2 TERM, RS26533	1
33	005559	SCR NYL RD HD 6-32X.625L	1
35	1401516010	PUSH BUTTON	1
36	1401522006	SPRING, COMP .890D 1.37L .049WD	1
37	1401508005	HOLDER, SWITCH--PLASTIC	1
38	7295281013	SCR MTRC PAN HD B6 X13 TAPPG	1
39	E36717	SWITCH, PUSH--SPST, RA, 250V, MOD	1
40	002406	SCR MTRC PAN HD M35X5 XREC	2
41	1405059005	RUD, STL--.312 DIA X 14.75 SHAFT	1
42	1405057009	WASHER, PROTECTION--KT-151, SRVC	4
43	1405056001	BEARING--KT-151, SERVICE	2
44	1405055003	WHEEL--4.00 DIA., 400BORE, .950H	2
45	1405057009	WASHER, PROTECTION--KT-151, SRVC	2
46	1405058007	CAP, LOCKING--K5-151, SERVICE	4
47	7295344010	SCR MTRC PAN HD B8 X 22	4
48	1404669002	PLATE, BOTTOM--KT-151, SERVICE	1
49	1404823005	SILENCER--KT-151, SERVICE	1
50	7322116010	NUT, HEX LOCK, MTRC--M 6, ZINC	1
51	1405100007	BUSHING--KT-151, SERVICE	1
52	7322116019	NUT, HEX LOCK--M6, ZINC	1
53	1403916008	WHEEL, RASTER--KT-151, SERVICE	1
54	1405054006	BUMPER--KT-151, SERVICE	1
55	7295344019	SCR MTRC PAN HD B8 X16 TAPPG	1
56	1402638009	SPRING, CONICAL	1
57	1401513021	BRACKET, SUSPENSION--KT-151	1
58	1401510010	COVER	1
60	0113654000	MOTOR PROTECTOR	1
61	1402469009	GASKET	1
62	023864	MTR, VAC--230V, NBP, 2 STG	1
62	1403996000	ADAPTER-LAMB MOTOR	1
62	331394	MTR, VAC--115V, NBP, 2 STG	1
63	0111548004	SUSPENSION RING	1
64	1402035016	HANDLE--KT-151, SERVICE	1
65	1401512007	RETAINER, SPRING--CLAMP	1
66	1405050003	HANDLE--PROTECTION, KT-151, SRVC	1
67	1401507007	SPRING	1
68	7295281013	SCR MTRC PAN HD B6 X13 TAPPG	1
69	7216802012	SPLIT PIN	1
70	1401519002	SPRING, COMP .562D .700L .045WD	1
71	7404416005	D-RING, MTRC 49.5ID 55.5OD 3.0T	1
72	7295342013	SCR MTRC PAN HD B8 X13 TAPPG	1
73	7295342010	SCR MTRC PAN HD B8 X13 TAPPG	14
74	1402022006	CLIP, LOCKING--KT-151, SERVICE	1

REF. NO.	PART NO.	DESCRIPTION	NO. REQ.
<b>FIGURE B</b>			
1	0109299040	CUFF--KT-151 SERVICE	1
1	038674	ASM, HOSE, COMPLETE	1
2	0111659033	OUTER SLEEVE	1
3	0114455008	SLIPER, HOSE--PRESSURE WASHER	1
4	1402711100	ASM, HOSE--7.5M HOSE W/D END PC	1
5	E35049-1	CUFF-HOSE	2
6	E35177	SLEEVE	1
7	E36399	AS, TUBE--CURVED HANDLE	1
8	0103078174	CREVIC NOZZLE	1
9	0113200090	WAND, STRAIGHT--ALUM, KT-151	2
10	0113174016	NOZZLE--COMBINATION, KT-151	1

REF. NO.	PART NO.	DESCRIPTION	NO. REQ.
<b>FIGURE C</b>			
1	0114900012	NOZZLE--BROWN, BLACK	1
2	0114905011	COVER--CONNECTING TUBE, OJBROWN	1
3	0114415011	STRIP--PROTECTION, KT-151	1
4	0114408008	PEDAL--GREY, KT-151, NOZZLE	1
5	0114409006	BUTTON--KT-151 NOZZLE	1
6	0114410004	LINK CONNECTION--KT-151, NOZZLE	1
7	0114403017	BRUSH HOLDER--KT-151, NOZZLE	1
8	0114407000	GLIDE PLATE--KT-151, NOZZLE	1
9	0114397003	PLATE, PLUSH--COMBO TOOL, ELUX	2
10	0114903008	VALVE--KT-151 NOZZLE	1
11	0114904006	FILTER, COMBO TOOL, ELUX	1
12	0114902000	INSERT--KT-151 NOZZLE	1
13	7295257716	SCR MTRC PAN HD K35 X12 TAPPG	2
14	7295293711	SCR MTRC PAN HD K40 X16 TAPPG	2
15	0114961006	SPRING--KT-151, NOZZLE	2
16	0114412000	RETAINER--KT-151, NOZZLE	1

REF. NO.	PART NO.	DESCRIPTION	NO. REQ.
<b>FIGURE D</b>			
1	003440	SCR TPG F PAN H 8-BTX.500L	2
2	E25788A	ASM, SULE PLATE--SERVICE ITEM	1
3	E37491	BELT, DRIVE--UPRIGHTS, SERVICE	1
4	E36680A	COVER--GROUNDING, KT151	1
5	E35717-2	SWITCH	1
6	E49110A	GUARD, BELT--POWERHEAD ASM	1
7	E13286B-3	ASM, HOUSING--POWER HEAD-8L	1
8	222244	NUT, WIRE--IDEAL 718	3
9	003274	NUT, HEX-- 6-32, ZN PLT	1
10	038883	KIT--MOTOR & NAMEPLATE, KT151	1
11	002398	SCR MACH PAN HD 8-32X.250L	2
12	E36237A-2	GUARD, FURNITURE--SERVICE ONLY	1
13	E37326-2	ASM, SOCKET--HANDLE, KT151	1
14	E55505	BRG--KT SERIES POWERHEAD, SRVCE	2
15	E36555-1	WHEEL--2.250IA, 260BORE, .558HB	2
16	E48334	AXLE	1
17	038674	ASM, HOSE, COMPLETE	1
18	003439	SCR TPG F PAN HD 8-BTX.500L	2
19	E12578B-1	DIVIDER, INLET--KT151	1
20	E25700B	ASM, DISTRIBUTOR SVC--	1
21	E37114	PULLEY--KT151	1
22	E25918	SHAFT-DISTRIBUTOR	1
23	E49865	SPACER--SERVICE ITEM	1
24	E75699A	ASM, DISTRIBUTOR--BEARING	2
25	E35664B	BEATER BAR--SHORT	1
26	E35895-1	SUPPORT--BEATER BAR SHORT	1
27	E49175A	NUT, HEX, LOCK--KT151	1
28	E35665B	BAR--BEATER LONG	1
29	E35895-2	SUPPORT--BEATER BAR LONG	1
30	E36558A	COVER-PLATE	2
31	E49145	RING, RTNG--EXT., .250 SHAFT, 5304	1
32	E49436	BSHG, SLV--.6630D, 313ID, 500L PL	1
33	E25743	ASM, BRISTLE STRIP--LONG, KT151	1
34	E13173	EXTRUSTION--DISTRIBUTOR, KT151	1
35	E49435	COUPLING-DRIVE	1
36	E25744	ASM--BRISTLE STRIP, SHORT, KT151	1
37	E49500A	WSHR FLT .255ID, .437OD, .062T STL	2

REF. NO.	PART NO.	DESCRIPTION	NO. REQ.
<b>FIGURE E</b>			
1	E36879-2	ASM--STRAIGHT WAND & SPRING	2
2	E13466	WAND--STRAIGHT, KT151	1
3	E49504	RIVET--SHOULDER, KT151	1
4	E25986-2	CHANNEL, CORD--KT151	1
5	E25414-2	CORD, POWER--18-3, SVT, BLK, 4XTSM	1
6	E35708-3	STRAP--SUPPLY CORD LOCATOR	10
7	E25415-2	CORD, POWER--18-3, SVT, BLK, 46IN	1
8	032547	ASM, HOSE--VAC	1
9	E36472-1	CUFF	2
10	051134	HOSE 5' LONG	1

REF. NO.	PART NO.	DESCRIPTION	NO. REQ.
<b>OPTIONAL ITEMS</b>			
	1402666010	ABSOLUTE FILTER COMP	1
	1403196000	BAG, CLOTH-- *SERVICE*	1
	661655	MICRO FILTER D07	1



## THE KENT LIMITED WARRANTY

Your Kent Equipment, which has been manufactured, tested and inspected in accordance with carefully specified engineering requirements, is warranted to be free from defects in material and workmanship

This warranty is, however, subject to the following qualifications, conditions, and limitations which are set forth to provide you and all users of the Kent Equipment with information concerning the duration, extent, availability, and applicability of this Kent Limited Warranty, the procedure to be taken to obtain its performance, and other information concerning the Kent Warranty policy

### DURATION OF WARRANTY AND TO WHOM EXTENDED

This warranty extends for a period of one year from the date of the original purchase of the Kent Equipment by the original purchaser

### PARTS OF KENT EQUIPMENT NOT COVERED BY WARRANTY

Certain parts of Kent Equipment require replacement in the ordinary course of use due to normal wear by reason of their characteristics. These are normal wear items such as cords, gaskets, switches, bumpers, carbon brushes, handle grips, bags, hoses, bearings, etc

### EXCEPTIONS AND EXCLUSIONS FROM WARRANTY

This equipment is required to be used on electric current as indicated on the name plate. Otherwise damage, defects, malfunctions or other failures of the equipment arising from use on electric current not as indicated are excepted and excluded from this warranty

Defects, malfunctions, failure or damage of the equipment caused by improper, unreasonable or negligent use or abuse while in the possession of the purchaser are likewise excluded from this warranty

If repair is done on your equipment by anyone other than those below designated as authorized to perform such work without first having obtained factory instructions, The Kent Company, at its sole option, may determine that this warranty will not apply and that reimbursement for such repair will not be made because of the failure to comply with such factory specified instructions

Honda Engines are guaranteed by American Honda Motor Co., Inc. for a period of one year. Parts and service are available only through Honda servicing dealers

Motor Appliance Corp. guarantees all Mac Battery Chargers to be free from defects in material or workmanship for a period of one year from date of manufacture. The nearest Mac authorized Service Facility should be contacted for service assistance

### FIVE YEAR POLY COMPONENT WARRANTY

Your Kent rotational molded polyethylene parts have been manufactured, tested and inspected in accordance with carefully specified engineering requirements and are warranted to be free from defects in material and workmanship

This warranty extends for a period of five (5) years from the date of the original purchase of the Kent equipment by the original purchaser

This warranty will not cover damage attributable to the following

- (1) Improper, unreasonable or negligent use or abuse of the equipment
- (2) Use of the equipment with hot water or high temperature above 130° Fahrenheit (54° Centigrade)
- (3) "Warpage", "creepage", or "distortion" of part so long as the same does not interfere with normal operation
- (4) Abrasions or punctures of the equipment

### PROCEDURE TO BE TAKEN TO OBTAIN PERFORMANCE OF WARRANTY

**REPAIRS** - To secure repair of the equipment or any warranted parts under this warranty, the following procedure should be taken

The inoperative equipment or warranted parts, together with satisfactory evidence of the purchase date, must be delivered, with shipping and delivery charges prepaid, to one of the following

- (1) The Dealer from whom purchased
- (2) Any Kent Distributor's Service Department in the United States
- (3) Any Kent Authorized Service Station in the United States

If you are unable to locate any of the foregoing, you may write or otherwise communicate with The Kent Company for instructions before repair service is performed by anyone else. In such event, The Kent Company will provide either the location of a closely available Kent Distributor Service Department or Kent Authorized Service Station or other factory instructions

Upon compliance with the above procedure, all warranted defects will be repaired, at no additional charge or cost to the customer, and the repaired product returned to the customer, with all shipping and delivery charges prepaid

In following the procedures above set forth, PLEASE MAKE CERTAIN to state the Kent model, type and serial number as shown on the name plate of the equipment

**REPLACEMENT** - In the event of a defect, malfunction or failure of your Kent Equipment or any warranted part to conform with this warranty, The Kent Company may, at its sole option and own expense, replace the equipment or any warranted part with another new identical or reasonably equivalent model or part in lieu of repairing the defect

### NO REFUND OF PURCHASE PRICE

The Kent Company will not, as a matter of its warranty policy, refund the customer's purchase price

### WARRANTY REGISTRATION CARD FOR YOUR KENT EQUIPMENT AND REQUESTS FOR INFORMATION

Your Kent Company Distributor from whom you purchased your equipment is responsible for the registration of your warranty with the factory. We ask that you cooperate with your Distributor in supplying the necessary information on the warranty card so that we may better serve you

Any information or questions you may have concerning your Kent Equipment or this warranty may likewise be secured from the factory

This warranty gives you specific legal rights, and you may also have other rights which vary from state to state

THE KENT COMPANY-P O BOX 1665-ELKHART, INDIANA 46515

486