

AquaClean™

PARTS LIST

**Advance MODELS 56262500(Obsolete)
56262505(Obsolete)**

This parts list is for machines after serial number 359336



Advance
by Nilfisk-Advance

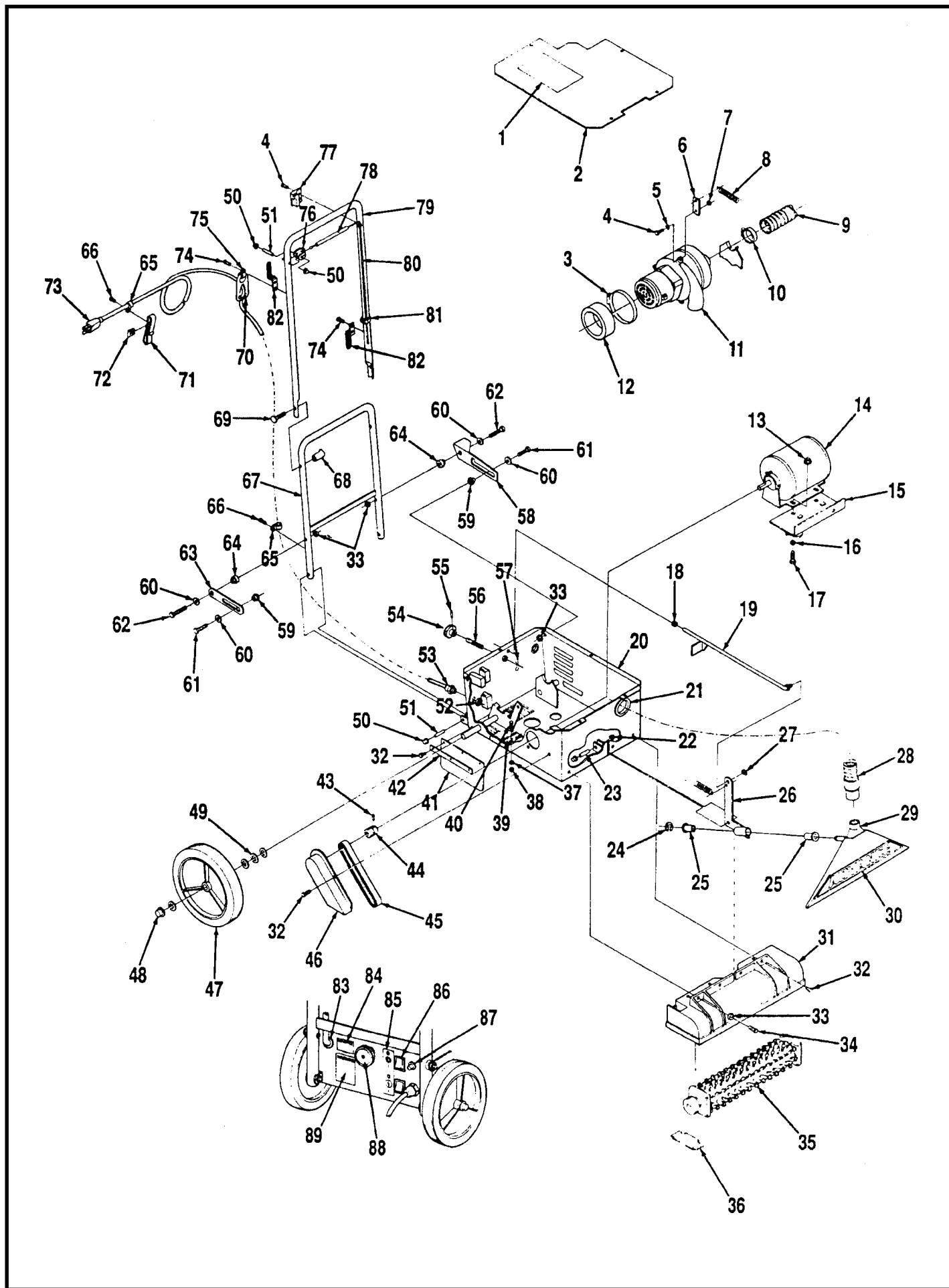
TABLE OF CONTENTS

DESCRIPTION	PAGE
Base Housing	1-2
Tanks & Pump Assembly	3-4
Pump	5-6
Wiring Diagram	7-8

WHEN ORDERING PARTS

- * Use the 8 digit numbers from the "Ref. No." columns in this parts list.
- * Specify the model and serial number of the machine.
- * Use the space below to record the model and serial number for future reference.

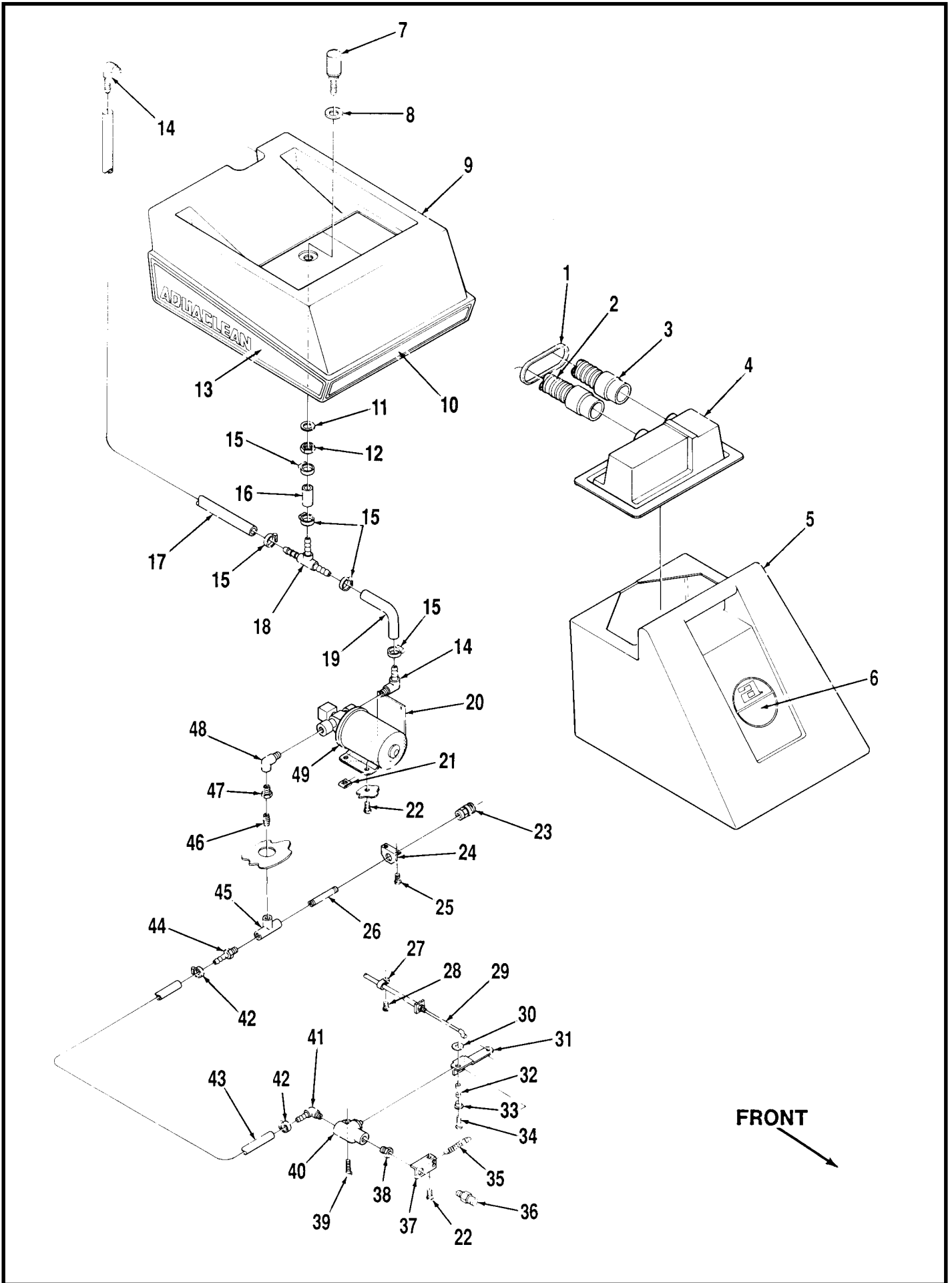
Model _____ Serial No. _____



BASE ASSEMBLY

Item	Ref. No.	Qty	Description	Item	Ref. No.	Qty	Description
1	56014649	1	Decal, Wiring 120V	46	56262557	1	Belt Guard
	56014674	1	Decal, Wiring 230V	47	56249505	2	Wheel
2	56262562	1	Cover 120V	48	56376544	2	Cap
	56262616	1	Cover 230V	49		8	1/2 Flat Washer
3	56352829	1	Clamp	50	56290935	6	Cap
4		4	1/4-20 x 1/2 Screw	51	56262515	3	1/8 x 1 Roll Pin
5		2	1/4 Shakeproof Washer	52	56171094	1	Lock Nut
6	56262556	1	Plate	53	56323135	1	Strain Relief
7		2	1/4-20 Nut	54	56395061	1	Knob
8	56398606	1	Spring	55		1	1/8 x 1 Pin
9	56262574	1	Vacuum Hose	56	56262550	1	Adjusting Screw
10	56329145	1	Hose Clamp	57		1	Cotter Key
11	56262584	1	Vacuum Motor 120V	58	56262527	1	Latch
*	56260950	1	Carbon Brush Set for 120V Motor	59	56244937	2	Bushing
	56262586	1	Vacuum Motor 230V	60		4	5/16 Flat Washer
*	56503004	1	Carbon Brush Set for 230V Motor	61		2	5/16-18 x 7/8 Bolt
12	56262598	1	Foam	62		2	5/16-18 x 1-3/4 Bolt
13		2	5/16-18 Whiz Nut	63	56262595	1	Strap
14	56238148	1	Brush Motor 120V	64	56262506	1	Spacer
	56218529	1	Brush Motor 230V	65	56342319	2	P-Clamp
*	56262546	2	Spring Nut	66		2	#6-32 x 5/16 Screw
15	56262628	1	Bracket	67	56262553	1	Handle
16		4	5/16 Shakeproof Washer	68	56370711	2	Thumb Nut
17		4	5/16-18 x 1 Bolt	69	56262555	2	Bolt
18	56329098	1	Bushing	70	56262535	1	Strain Relief
19	56262521	1	Rod	71	56300187	1	Belt Clip
20	56262548	1	Base 120V	72	56322504	1	Nut
	56262588	1	Base 230V	73	56262563	1	Power Cord 120V TSB 601
21	56262531	1	Grommet		56300227	1	Power Cord 230V
22	56262534	2	Cap	74		4	1/4-20 x 3/8 Screw
23	56262514	1	Pin TSB 503	75	56442011	1	P-Clamp
24	56468834	1	Retaining Ring	76	56262526	1	Clevis
25	56111503	2	Bearing	77	56262570	1	Cable Guide
26	56262510	1	Arm	78	56262533	1	Tube
27	56321427	1	Retaining Ring	79	56262554	1	Handle
28	56262573	1	Recovery Hose	80	56262543	1	Cable
29	56262541	1	Vacuum Tool	81	56344346	3	Cable Clamp
30	56014733	1	Decal, Advance	82	56262518	2	Cord Hook
31	56262597	1	Brush Housing	83	56391302	1	Grommet
32		8	#10-24 x 1/2 HP-5 Screw	84	56015324	1	Nameplate 120V
33		6	5/16-18 Nut		56015401	1	Nameplate 230V
34		2	5/16-18 x 1-1/2 Bolt	85	56014663	1	Decal, Instruction
35	56262565	1	Brush Assembly TSB 602	86	56262551	2	Switch 120V
*	56372773	1	Right Bearing TSB 602		56260204	2	Switch 230V
*	56290283	1	Left Bearing TSB 602	87	56171550	1	9 Amp Circuit Breaker 120V
*	56262624	1	Rt Bearing Block TSB 602		56228414	1	3.5 Amp Circuit Breaker 230V
*	56262625	1	Lt Bearing Block TSB 602	88	56015059	1	Decal, Instruction
	56262559	1	Sheave	89	56014781	1	Decal, Caution
36	56262600	1	Guard				
37		1	#8 Shakeproof Washer				
38		1	#8-32 Nut				
39	56260071	1	Terminal Block 120V				
	56183523	1	Terminal Block 230V				
40		1	#8-32 x 3/4 Screw				
41	56262617	1	Skirt 230V				
42	56262618	1	Strap 230V				
43		1	1/4-20 x 1/4 Set Screw				
44	56262558	1	Sheave				
45	56327476	1	Belt				

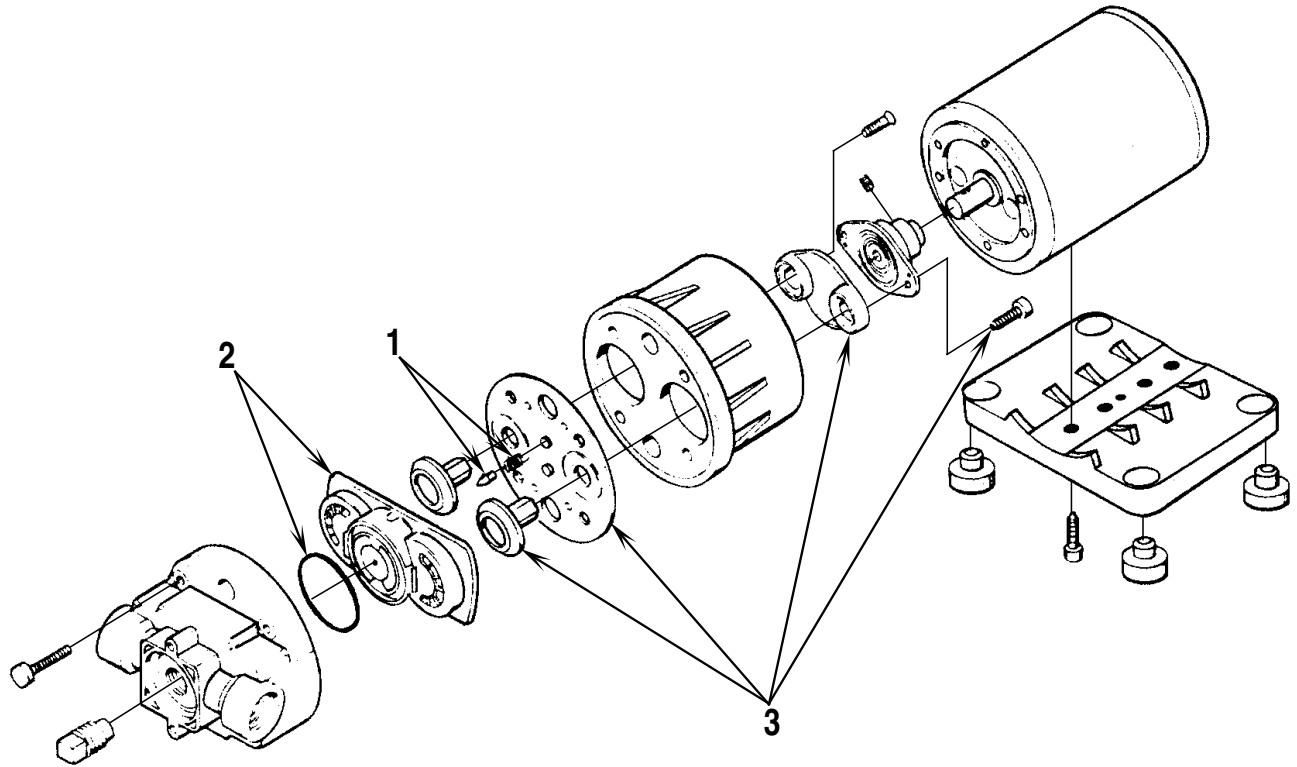
* = Not Shown



TANKS AND PUMP

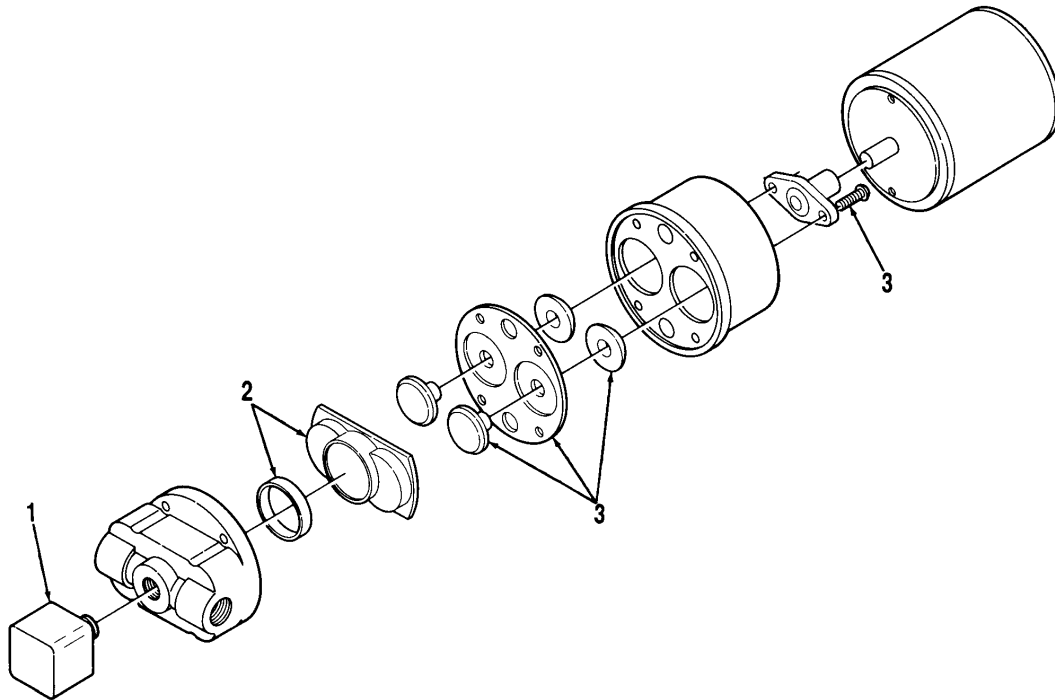
Item	Ref. No.	Qty	Description
1	56477613	1	Tie
2	56262574	1	Vacuum Hose
3	56262573	1	Recovery Hose
4	56262583	1	Cover Assembly TSB 636
	56262577	1	Cover TSB 636
	56262576	1	Gasket
5	56262581	1	Recovery Tank
6	56015326	1	Decal, Logo
7	56368725	1	Screen
8	56368776	1	Rubber Washer
9	56262579	1	Solution Tank
	56262582	1	Solution Tank Assy (#7-14)
10	56014669	1	Decal, Front Stripe
11		1	5/8 Flat Washer
12		1	5/8-18 Nut
13	56014668	1	Decal, Right Stripe
*	56014666	1	Decal, Left Stripe
14	56900069	2	Elbow Barb
15	56219932	5	Hose Clamp
16	56262560	1	Hose
17	56244986	1	Hose
18	56262549	1	Tee
19	56262619	1	Hose 120V, 230V
20	56262589	1	Bracket 230V
21	56328855	2	Spring Nut
22		3	#10-24 x 1/2 Screw
23	56262613	1	Quick Disconnect
24	56262601	1	Support
25		2	#10-24 x 3/8 Screw
26	56262612	1	Nipple
27	56481890	1	P-Clamp
28		1	1/4-20 x 3/8 Screw
29	56262543	1	Cable
30	56900282	1	Thrust Washer
31	56262528	1	Lever
32	56151092	2	Bushing
33	56756318	1	Bearing
34		1	#8-32 x 1/2 Screw
35	56330178	2	Spring
36	56262544	1	Nozzle 120V
	56262620	1	Nozzle 230V
37	56262538	1	Support 120V
	56262621	1	Support 230V
38	56750677	1	Adapter 120V
	56740214	1	Adapter 230V
39		1	1/4-20 x 7/8 Screw
40	56262596	1	Valve
41	56900285	1	Elbow Barb
42	56756364	2	Hose Clamp
43	56249342	1	Tube
44	56470111	1	Barb
45	56900027	1	Tee 120V
	56372506	1	Tee 230V
46	56150223	1	Nipple 120V
47	56750363	1	Bushing
48	56900021	1	Elbow
49	56262593	1	Pump 120V TSB 710
	56262585	1	Pump 230V

* = Not Shown



REPLACEMENT PARTS FOR 115V PUMP (262117)

Item	Ref. No.	Qty	Description
1	56264436	1	By-Pass Kit (includes poppets and springs)
2	56264435	1	Check Valve Kit
3	56249834	1	Diaphragm Kit



REPLACEMENT PARTS FOR 115V PUMP (262593)

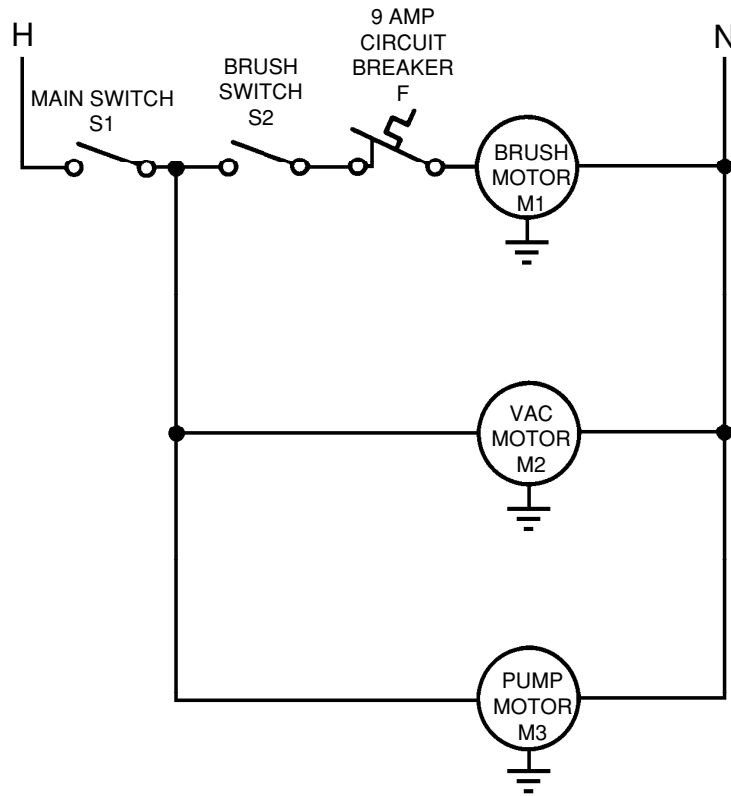
Item	Ref. No.	Qty	Description
1	56249947	1	Pressure Switch
2	56249943	1	Valve Kit
3	56249834	1	Diaphragm Kit

REPLACEMENT PARTS FOR 230V PUMP (262585)

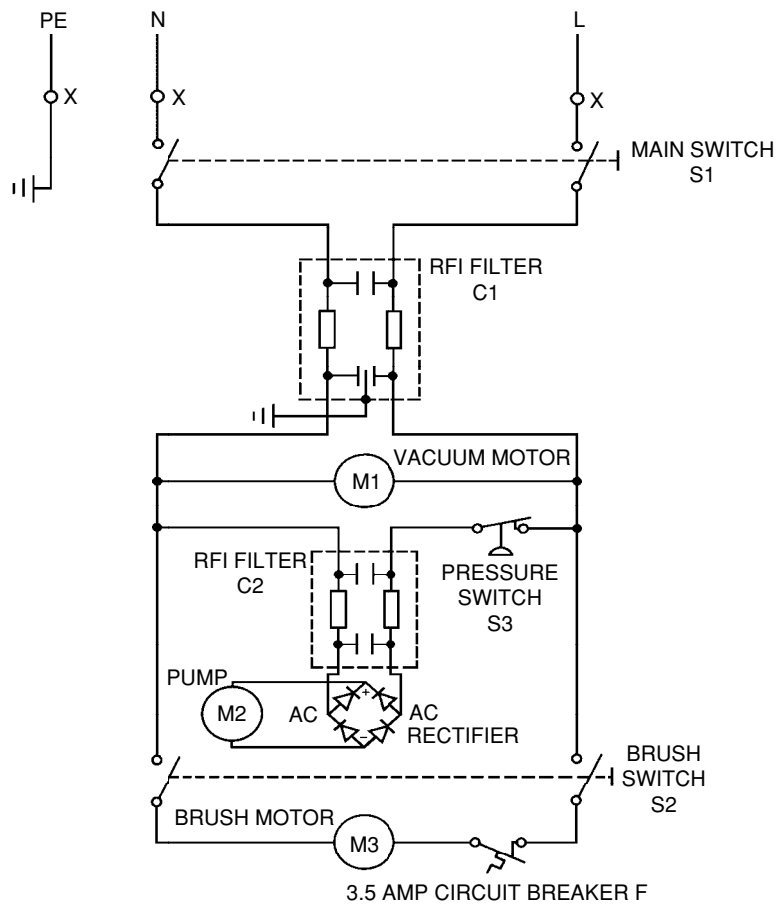
Item	Ref. No.	Qty	Description
1	56249947	1	Pressure Switch
2	56249943	1	Valve Kit
3	56249834	1	Diaphragm Kit

Note: The 230V pump uses an external mounted rectifier PN 56180163.

120V WIRING



230V WIRING



120V WIRING

Item	Ref. No.	Qty	Description
F	56171550	1	Circuit Breaker 9 Amp
M1	56238148	1	Motor, Brush
M2	56262584	1	Motor, Vacuum
M3	56262593	1	Motor, Pump
S1	56262551	1	Switch, Main
S2	56262551	1	Switch, Brush
*	56260071	1	Terminal Block

* = Not Shown

230V WIRING

Item	Ref. No.	Qty	Description
C1	56262609	1	RFI Filter
C2	56262608	1	RFI Filter
F	56228414	1	Circuit Breaker 3.5 Amp
M1	56262586	1	Motor, Vacuum
M2	56262585	1	Motor, Pump
*	56180163	1	Rectifier
M3	56218529	1	Motor, Brush
S1	56260204	1	Switch, Main
S2	56260204	1	Switch, Brush
S3		1	Switch, Pressure
X	56183523	1	Terminal Block
*	56262610	1	Wiring Harness

* = Not Shown



Nilfisk-Advance, Inc.
14600 21st Avenue North
Plymouth, MN, 55447-3408
www.nilfisk-advance.com
Phone: 800-989-2235
Fax: 800-989-6566
©2002 Nilfisk-Advance, Inc.,
Plymouth, MN 55447-3408
Printed in the U.S.A.