

Aquamatic™ 26BF



PARTS LIST **Advance MODEL 56261000**



Advance
by Nilfisk-Advance

DESCRIPTION	PAGE
CHASSIS ASSEMBLY	4-5
CONTROL HANDLE ASSEMBLY	6-7
SOLUTION TANK ASSEMBLY	8-9
RECOVERY TANK ASSEMBLY	10-11
WIRING DIAGRAM	12-13
FOAM / DEFOAMER TANKS	14-15
WHEEL DRIVE / BRAKE	16-17
BRUSH DRIVE ASSEMBLY	18-19
VACUUM TOOLS AND LINKAGE	20-21

WHEN ORDERING PARTS

- * Use the 8 digit numbers from the "Ref. No." columns in this parts list.
- * Specify the model and serial number of the machine.
- * Use the space below to record the model and serial number for future reference.

Model _____ Serial No. _____

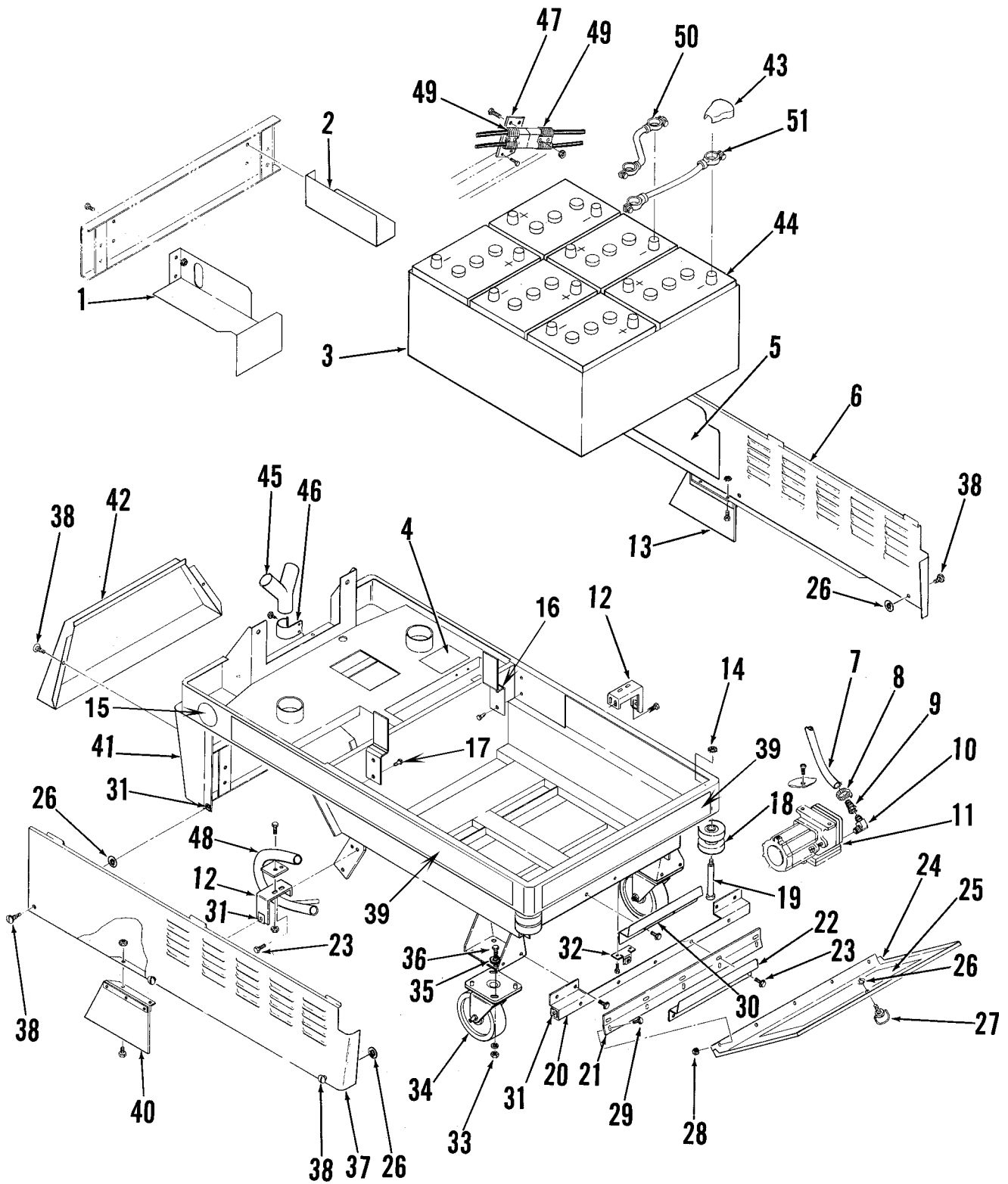
CHASSIS ASSEMBLY

87-2

4

Aquamatic™ 26BF

00-9



87-2	CHASSIS ASSEMBLY		
00-9	Aquamatic™ 26BF		5

Item	Ref. No.	Qty	Description
1	56261292	1	Shield
2	56261293	1	Shield
3	56261045	1	Tray, Battery
4	56017952	1	Decal, Cable Routing
5	56017954	1	Decal, Wiring Diagram
6	56261053	1	Panel, Left
7	56261264	1	Tube
8	56219932	2	Clamp, Hose
9	56104299	1	Barb, 3/8 x 1/8
10	56111309	1	ST Elbow 1/8 NPT
11	56261047	1	Compressor, 36V
12	56261016	2	Bracket
13	56261280	1	Blade Assembly Left
14	56001806	6	Nut, Whiz W/Flange
15	56017019	2	Decal, Logo
16	56264494	2	Support
17	56009019	4	Scr, Hex Hd Thd Form 1/4-20 x .38
18	56363855	4	Wheel, 2.50 x .812
19	56261021	2	Screw, Shoulder
20	56261056	1	Bracket, Hinge
21	56261057	1	Hinge, 2 x 21
22	56261273	1	Tray
23	56002530	9	Screw, Hex Washer Head 1/4-20 x 3/8 HP
24	56261055	1	Panel Door
25	56017961	1	Decal
26	56380137	9	Retainer
27	56380132	1	Fastener
28	56002565	5	Nut, Keps #10-24
29	56002043	5	Screw, PH Pan Head #10-24 x 3/8
30	56261272	1	Tray
31	56380141	9	Receptacle
32	56261042	1	Bracket, Retainer
33	56001806	8	Nut, Whiz W/Flange 5/16-18
34	56261034	2	Caster, 5.00
35	56001939	8	Washer, SAE 5/16-18
36	56002035	8	Screw, Hex Head Cap 5/16-18 x .62
37	56261052	1	Panel, Right
38	56261054	8	Fastener
39	56810014	1	Decal, Nest
40	56261281	1	Blade Assembly Right
41	56261051	1	Chassis Weldment
42	56261018	1	Cover
43	56372673	12	Boot, Battery Post
44	56376014	6	Battery
45	56261176	1	Adapter Weldment
46	56404338	1	Clamp, Adapter
47	56261342	1	Bracket
48	56261327	1	Tube Weldment
49	56261236	1	Connector Assembly, Dual
	56261237	1	Connector Assembly, Dual TSB 730
50	56363928	4	Cable Assembly Battery 4 x 10 TSB 730
51	56363936	1	Cable Assembly Battery 4 x 15 TSB 730

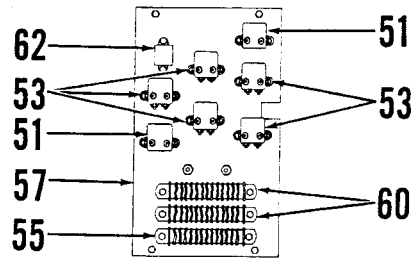
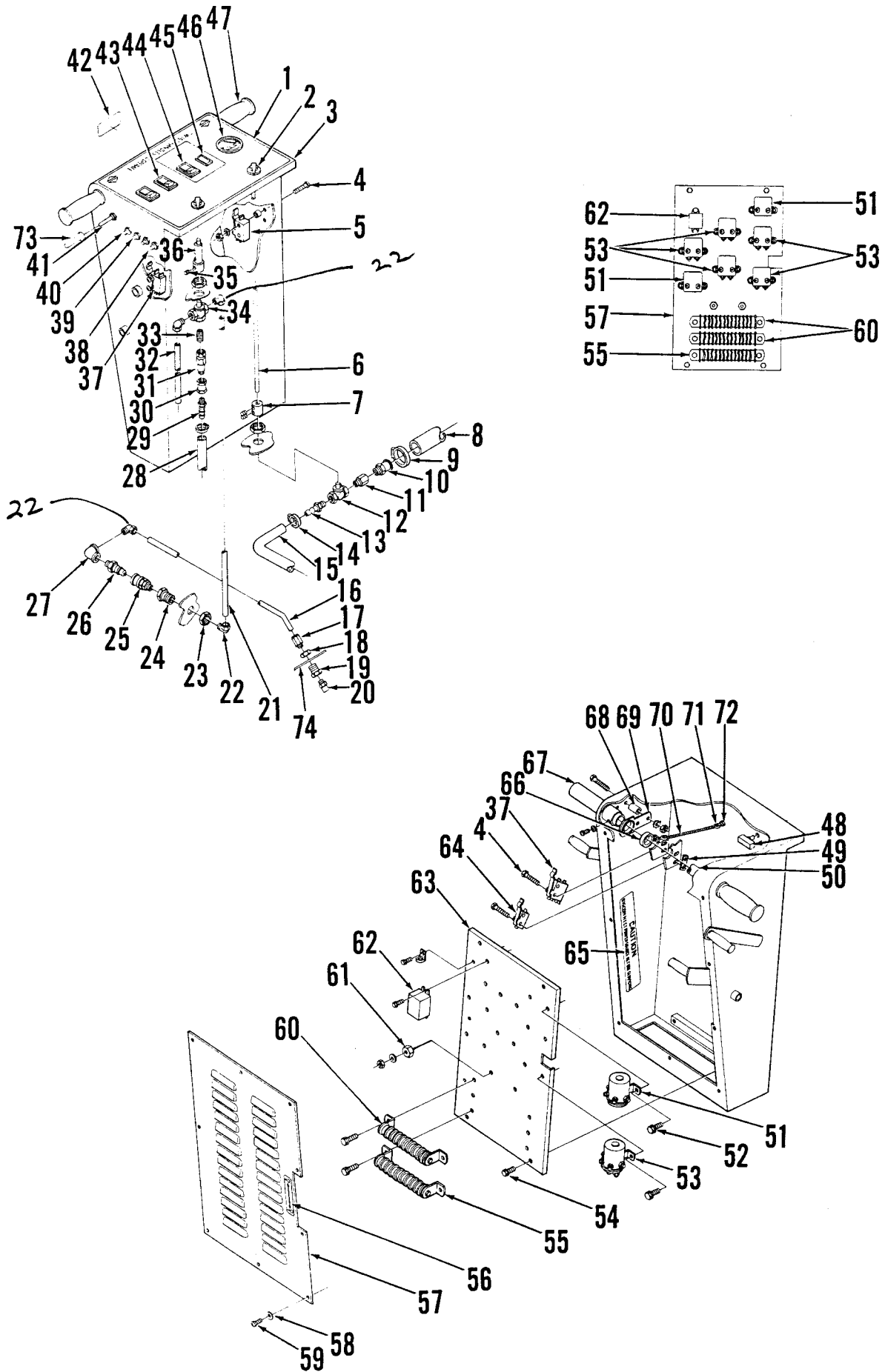
CONTROL HANDLE ASSEMBLY

87-2

6

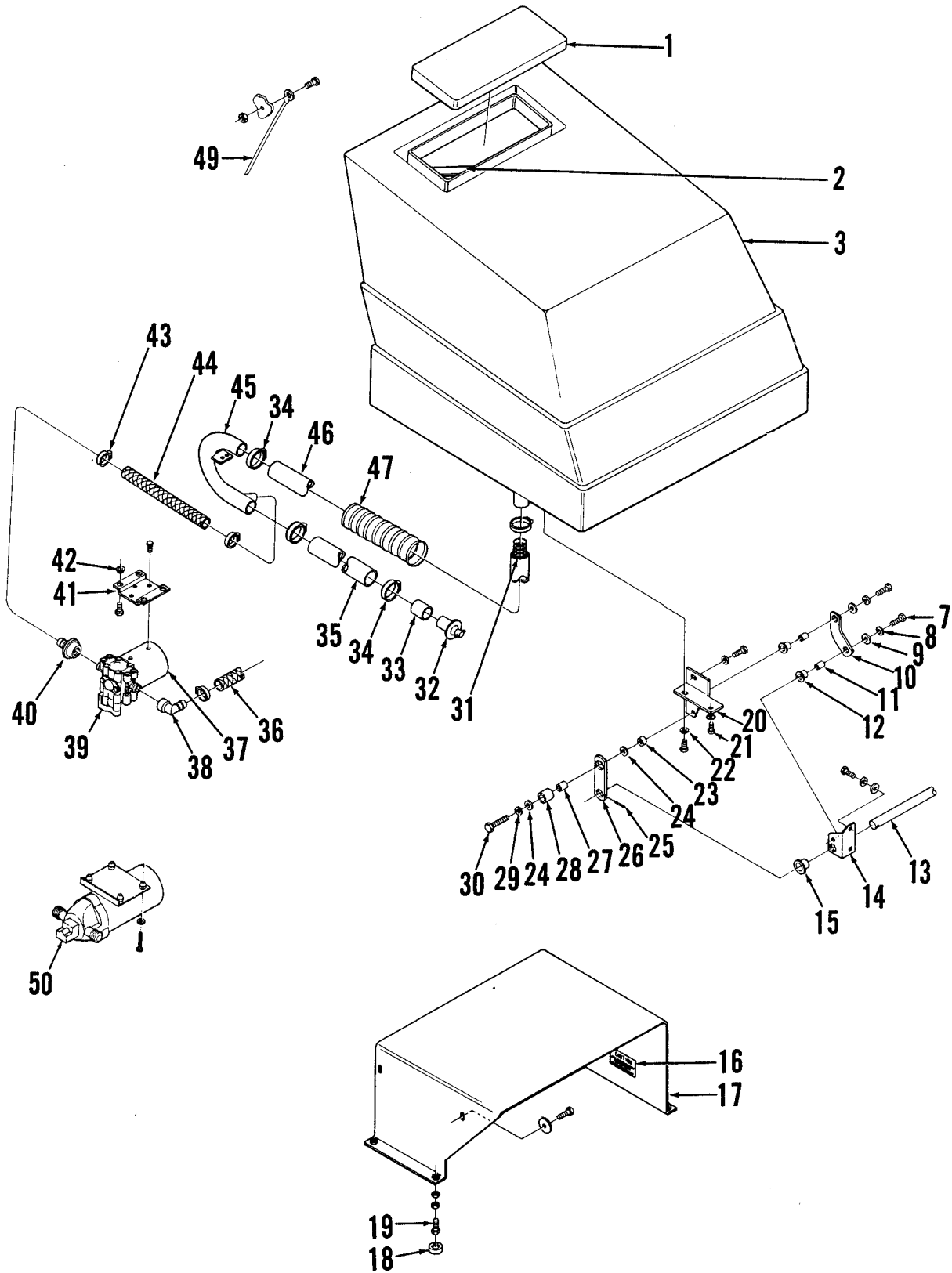
Aquamatic™ 26BF

00-9



Item	Ref. No.	Qty	Description	Item	Ref. No.	Qty	Description
1	56017951	1	Decal, Control Panel	37	56261220	2	Switch, Snap DPST N.O.
2	56365223	2	Knob, 1.25 x .250	38	56180275	1	Circuit Breaker, 15A
3	56261087	1	Control Panel Weldment	39	56395454	2	Circuit Breaker, 20A
4	56002695	4	Screw, Pan Head #6-32 x 1-1/4	40	56364294	1	Circuit Breaker, 45A
5	56388019	1	Switch, Snap DPST N.C.	41	56217859	1	Switch, Toggle SPDT
6	56261103	1	Rod	42	56015379	1	Decal, Warning
7	56261102	1	Coupler	43	56261245	2	Switch, Rocker DPDT
8	56261262	1	Hose	44	56376348	1	Switch, Rocker SPST
9	56112771	1	Clamp, Hose	45	56467410	1	Indicator Light 28V
10	56900648	1	Bar, 3/4 x 1/2	46	56448677	1	Meter Battery Condition
11	56900647	1	Adapter	47	56388545	2	Grip
12	56261255	1	Valve, 2-Way	48	56761452	1	Switch, Snap SPDT
13	56443972	1	Barb 1/2 x 3/8	49	56385747	4	Nut Plate
14	56219932	2	Clamp, Hose	50	56261084	1	Cam Weldment
15	56261263	1	Hose	51	56395452	2	Contactora 36V
16	56261260	1	Hose, Nylon	52	56002530	22	Screw, Hex Washer Head 1/4-20 x 3/8 HP-5
17	56261244	1	Connector	53	56388534	S	Solenoid Contactora SPDT
18	56159247	1	Nut, Hex 5/8-18 Brass	54	56002519	4	Screw, Hex Washer Head #10-24 x 3/8 HP-5
19	56261253	1	Anchor Connection	55	56467470	1	Resistor .9
20	56261242	1	Nozzle TSB 584 - F13	56	56055676	1	Decal, Brake
21	56261261	1	Hose, Nylon	57	56261068	1	Cover
22	56261243	4	Elbow, Male 5/16 Hose 1/4 NPT	58	56449340	9	Washer, Finishing #10
23	56261259	1	Nut, 3/4-16 Brass	59	56002547	9	Screw, Oval Head #10-24 x 3/8 HP-5
24	56261258	1	Anchor Connection	60	56261221	2	Resistor, 1.35
25	56249568	1	Quick Connector Coupling	61	56469858	2	Insulated Stand-Off
26	56249857	1	Quick Connector, Male	62	56261219	1	Relay
27	56340782	1	Elbow, 1/4 NPT	63	56261229	1	Panel, Electrical
28	56261250	1	Hose	64	56385615	1	Switch, Snap SPST N.O.
29	56373456	1	Barb, 1/2 x 1/4 Male	65	56025363	1	Decal, Caution
30	56220526	1	Coupling, 1/4 Brass	66	56261104	1	Bracket Weldment
31	56261271	1	Valve, Check TSB 606 - G11	67	56261064	2	Tube
32	56261252	1	Hose	68	56261066	4	Bushing
33	56150223	1	Nipple, Close Brass	69	56261097	2	Bearing
34	56261254	1	3-Way Valve	70	56358560	1	Spring
35	56002279	3	Screw, Socket Set #8-32 x 1/4	71	56388599	2	Eye Bolt
36	56261101	1	Cam	72	56002349	4	Nut, Hex Machine #10-24
				73	56219886	1	Sleeve
				74	56261257	1	Bracket
				*	56261267	1	Linkage Guide Plate

* = Not Shown



87-2

SOLUTION TANK ASSEMBLY

00-9

Aquamatic™ 26BF**9**

Item	Ref. No.	Qty	Description	Item	Ref. No.	Qty	Description
1	56261204	1	Cover	26	56261309	2	Bar
2	56261344	1	Sight Gauge	27	56228052	2	Bushing
3	56261194	1	Solution Tank	28	56366633	2	Bearing Sleeve
7	56002155	8	Screw, 1/4-20 x 3/4	29	56001905	2	Lock Washer, Shakeproof 5/16
8	56001803	8	1/4 Shakeproof Lock Washer	30	56002696	2	Screw, 5/16-18 x 1-1/4
9	56002098	8	1/4 Flat Washer	31	56245010	1	Spring, Comp
10	56261301	2	Lever	32	56260098	1	Plug 1.00
11	56368989	4	Bushing	33	56261297	2	Tube
12	56324505	4	Bearing Flange	34	56131601	4	Hose Clamp SAE 16
13	56261310	1	Rod	35	56261249	1	Tube
14	56261311	1	Bracket Left	36	56261250	1	Hose
	56261312	1	Bracket Right	37	56261217	1	Motor, 36V TSB 584 - F13
15	56185264	2	Bearing Flange	38	56261246	1	Elbow, 1/2 x 1/2
16	56016116	1	Decal, Caution	39	56261211	1	Pump TSB 584 - F13
17	56261321	1	Support Tank	*	56260743	1	Pressure Switch
18	56401788	4	Cap, Snap	*	56260745	1	Valve Kit
19	56401783	4	Leveler	40	56261247	1	Filter
20	56261304	1	Bracket Weldment Left	41	56261065	1	Bracket, Pump
	56261305	1	Bracket Weldment Right	42	56321559	4	Grommet
21	56002152	6	Screw, Brass 1/4-20 x 1/2	43	56219932	3	Hose, Clamp SAE 6
22	56002536	3	Washer, Flat Brass 1/4	44	56261331	1	Tube
23	56320595	2	Bushing	45	56261327	1	Tube Weldment
24	56001939	4	Washer, 5/16 SAE	46	56261248	1	Tube
25	56469872	2	Spring Pin 1/4 x 1	47	56261333	1	Hose
				49	56261189	1	Rope Assembly
				50	56261010	1	Pump (after SN 305191)
				*	56260740	1	Diaphragm Kit
				*	56260741	1	Valve Kit
				*	56503014	1	Pressure Switch
				*	56503030	1	Check Valve Repair Kit

* = Not Shown

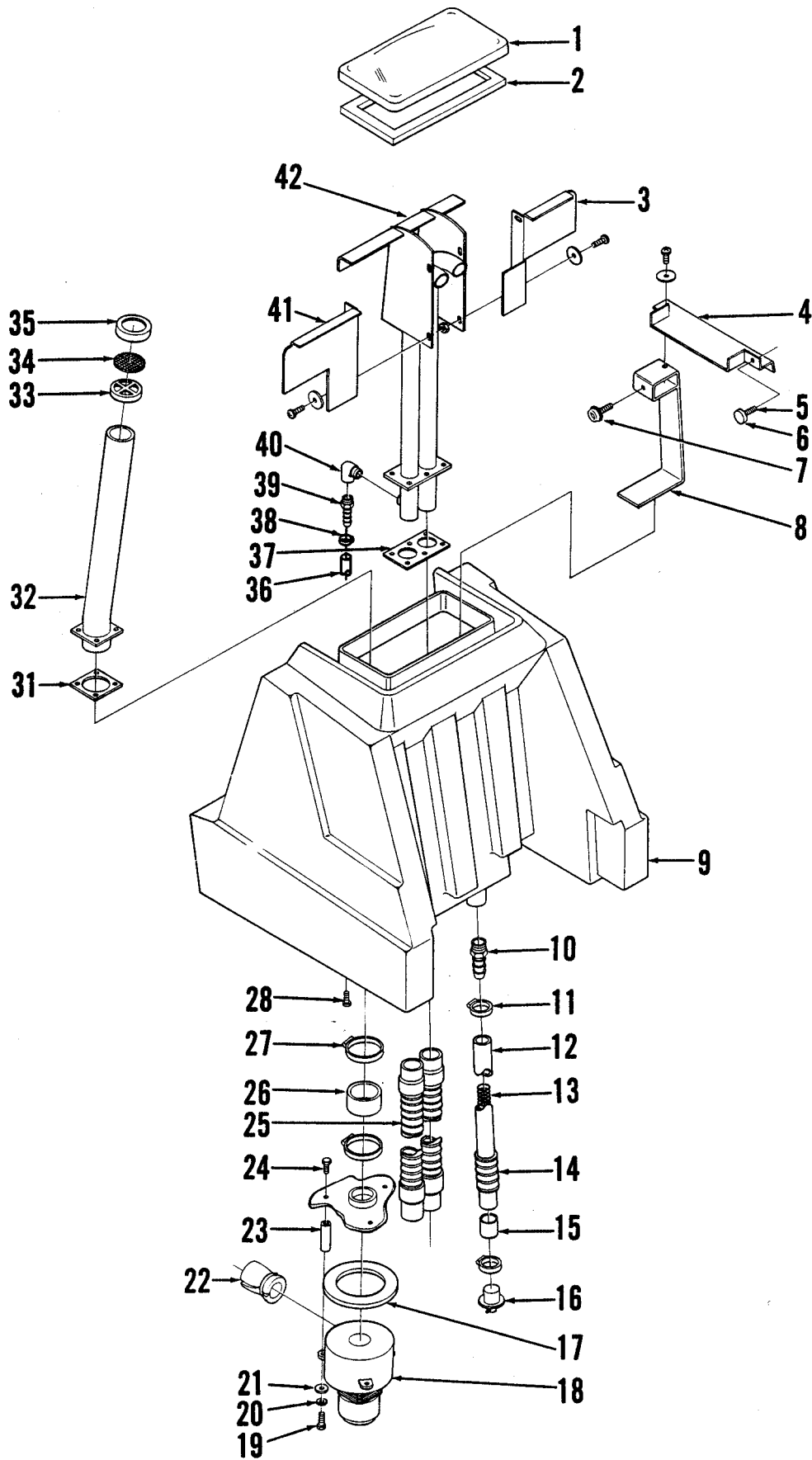
RECOVERY TANK ASSEMBLY

87-2

10

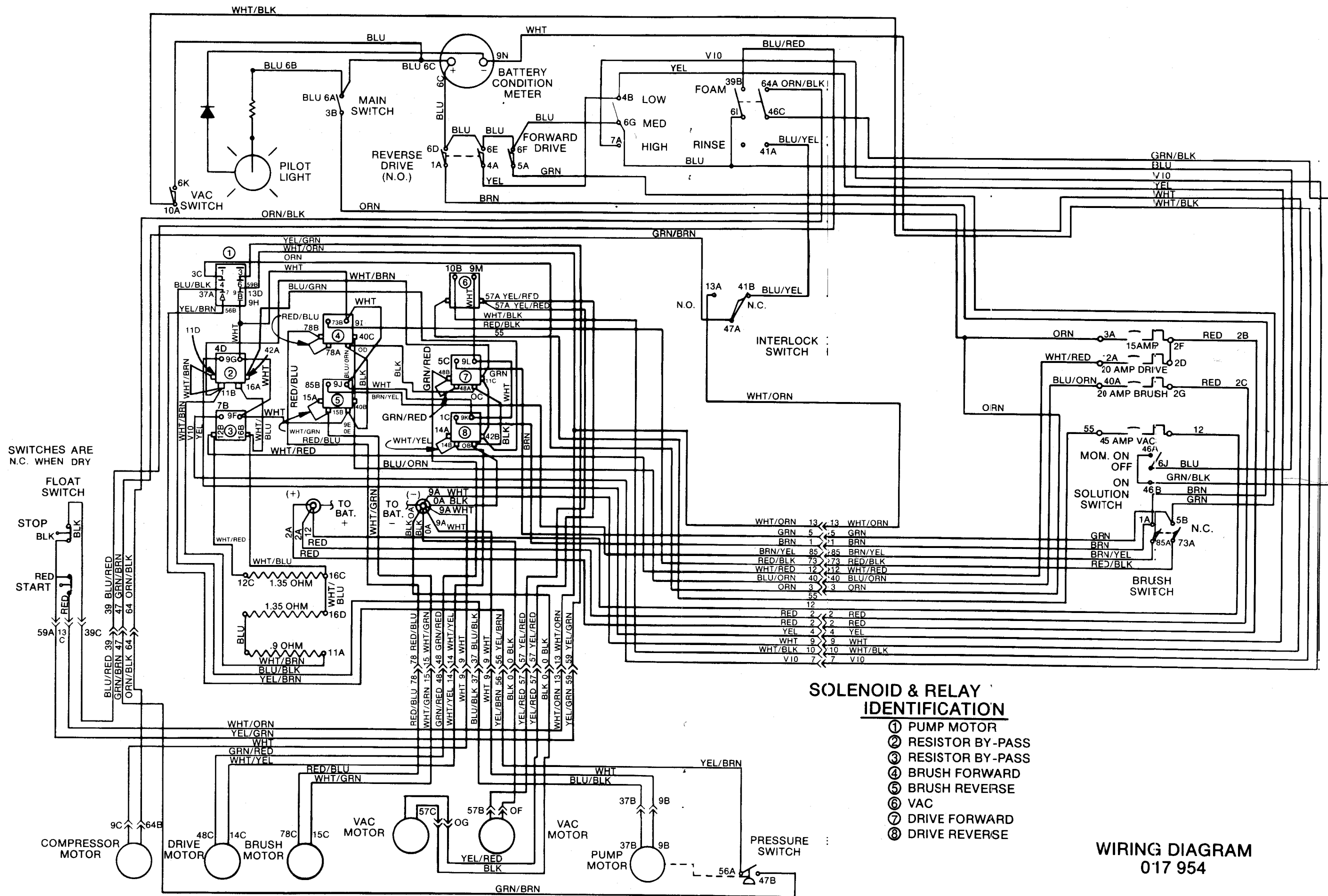
Aquamatic™ 26BF

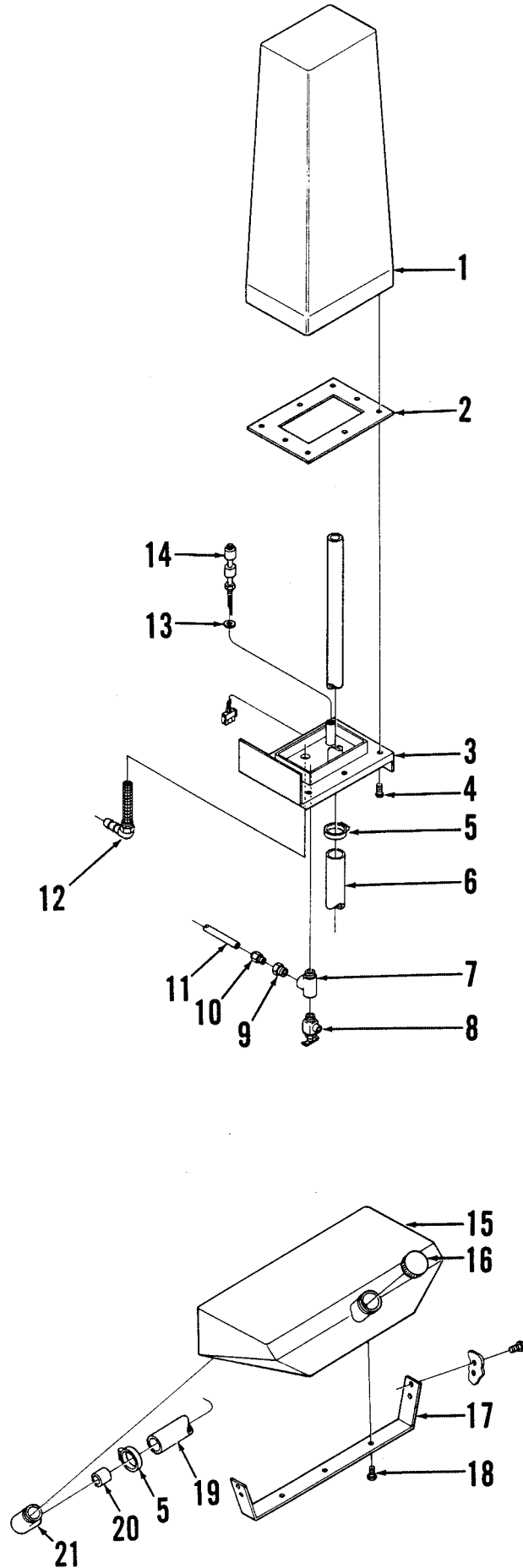
00-9



87-2	RECOVERY TANK ASSEMBLY			
01-11	Aquamatic™ 26BF			11

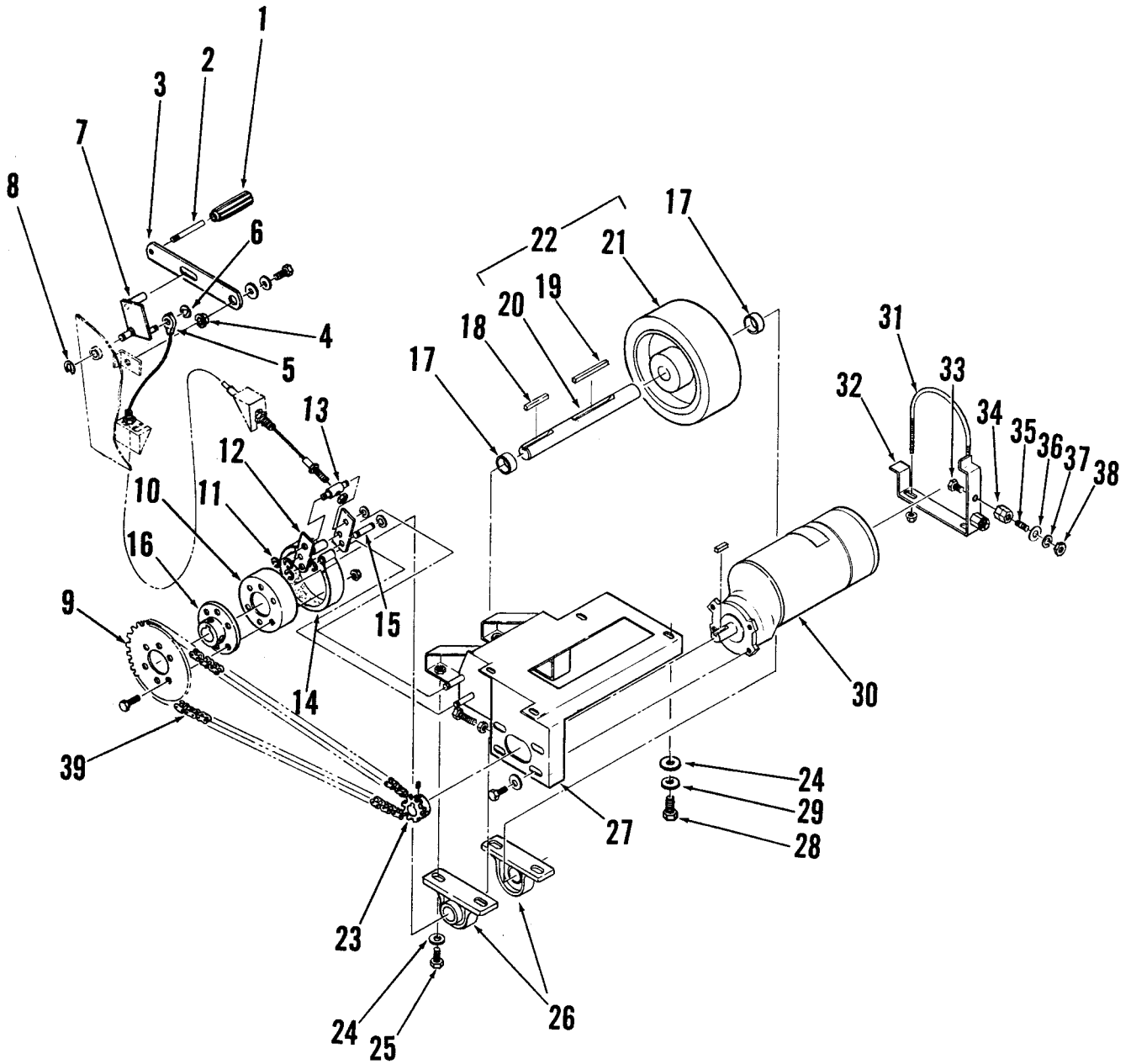
Item	Ref. No.	Qty	Description
1	56261207	1	Dome Tank TSB 533 - G5
2	56261183	1	Gasket Tank
3	56261322	1	Baffle, Left
4	56261336	1	Support Weldment, Left
5	56401783	2	Leveler Tank
6	56401788	2	Cap, Snap-On 3/4 Hex
7	56449221	2	Bumper
8	56261339	2	Support Weldment
9	56261196	1	Recovery Tank
10	56743086	1	Hose, Barb 1 x 3/4
11	56131601	2	Clamp, Hose
12	56261315	1	Hose
13	56245010	1	Spring
14	56261332	1	Hose TSB 567 - G4
15	56261297	1	Tube
16	56260098	1	Plug
17	56385437	2	Gasket 4.8 ID x 6.2 OD
18	56377470	2	Motor, Vacuum 36V
	56377001	1	Replacement carbon brushes for 56377470 (1 per motor)
19	56002155	6	Screw, Hex Head Cap 1/4-20 x 3/4
20	56001803	6	Lock Washer, Shakeproof 1/4
21	56002098	6	Washer, SAE 1/4
22	56261276	2	Foam, Acoustical
23	56377475	6	Stand-Off
24	56001854	6	Screw, Hex Head Cap 1/4-20 x 1/2
25	56261314	2	Hose Assembly
26	56261313	2	Hose
27	56352829	4	Hose Clamp
28	56209486	14	Screw, S.S. #10 x .75 NC
31	56260120	2	Gasket Tank
32	56261180	2	Tube Weldment
33	56261294	2	Cup, Tube
34	56260176	2	Screen
35	56261295	2	Cup, Screen
36	56261263	1	Hose
37	56261203	1	Gasket, Tank
38	56219932	1	Clamp, Hose
39	56444006	1	Barb, Brass 3/4 x 3/4
40	56369632	1	Elbow ST 1/4
41	56261323	1	Baffle, Right
42	56261199	1	Tube Weldment





87-2	FOAM / DEFOAMER TANKS		
00-11	Aquamatic™ 26BF		15

Item	Ref. No.	Qty	Description
1	56261184	1	Tank, Foam
2	56261193	1	Gasket, Foam Tank
3	56261190	1	Cover Weldment
4	56209485	8	Screw, Pan Head SS 10-24 x 1/2
5	56112771	2	Hose Clamp SAE 10
6	56261265	1	Tube
7	56365222	1	Tee, Street 1/4 BR
8	56386420	1	Valve, Drain 1/4
9	56740214	1	Bushing, Pipe
10	56261244	1	Connector, Male 1/8 NPT 5/16 Hose
11	56261252	1	Hose, 5/16 Nylon
12	56244987	1	Bubbler
13	56744660	1	Washer, Sealing
14	56261222	1	Float Switch Assembly TSB 740
15	56261186	1	Tank, Defoam
16	56261188	1	Cap, Defoam Tank
17	56261049	1	Bracket, Defoam Tank
18	56002001	3	Screw, PH Pan Head 10-32 x 3/8
19	56261262	1	Tube
20	56261297	1	Tube
21	56458402	1	Elbow, ST



87-2	WHEEL DRIVE / BRAKE		
00-9	Aquamatic™ 26BF		17

Item	Ref. No.	Qty	Description
1	56471193	1	Grip
2	56376254	1	Pin
3	56261076	1	Lever
4	56185264	1	Bearing, Flange
5	56261100	1	Cable Assembly
6	56321125	1	Retaining Ring 1/4
7	56261069	1	Lever Weldment
8	56321427	1	Retaining Ring 3/8
9	56261020	1	Sprocket
10	56388702	1	Drum, Brake
11	56321427	6	Ring, Retaining Ext 3/8
12	56261014	2	Arm, Brake
13	56261015	1	Pin, Brake
14	56402745	1	Strap Assembly, Brake
15	56388672	1	Pin
16	56261223	1	Adapter
17	56261058	2	Bushing, 1.0 x 1.2 x .69
18	56378704	1	Key, 1/4 x 1.18
19	56261230	1	Key, Square
20	56261019	1	Shaft
21	56261028	1	Wheel
22	56261334	1	Wheel & Axle Assembly
23	56471148	1	Sprocket, 40 B11
24	56002063	4	Washer, SAE 3/8
25	56002090	4	Screw, Hex Head Cap 3/8-16 x 1.12
26	56444308	2	Bearing, PB Assembly 1.00
27	56261011	1	Wheel Mount Weldment
28	56002234	4	Screw, Hex Head Cap 3/8-16 x 5/8
29	56001990	4	Washer, Spring Lock 3/8
30	56261046	1	Drive Assembly TSB 506 - G9
31	56261240	1	Clamp
32	56261017	1	Hanger, Motor
33	56001854	2	Screw, Hex Head Cap 1/4-20 x 1/2
34	56469858	2	Insulated Stand-Off
35	56454376	2	Stud, 1/4-20 x 1 5/16
36	56002098	2	Washer, SAE 1/4
37	56001907	2	Washer, Spring Lock 1/4
38	56001976	2	Nut, Hex Machine 1/4
39	56261040	1	Chain, Roller O-Ring

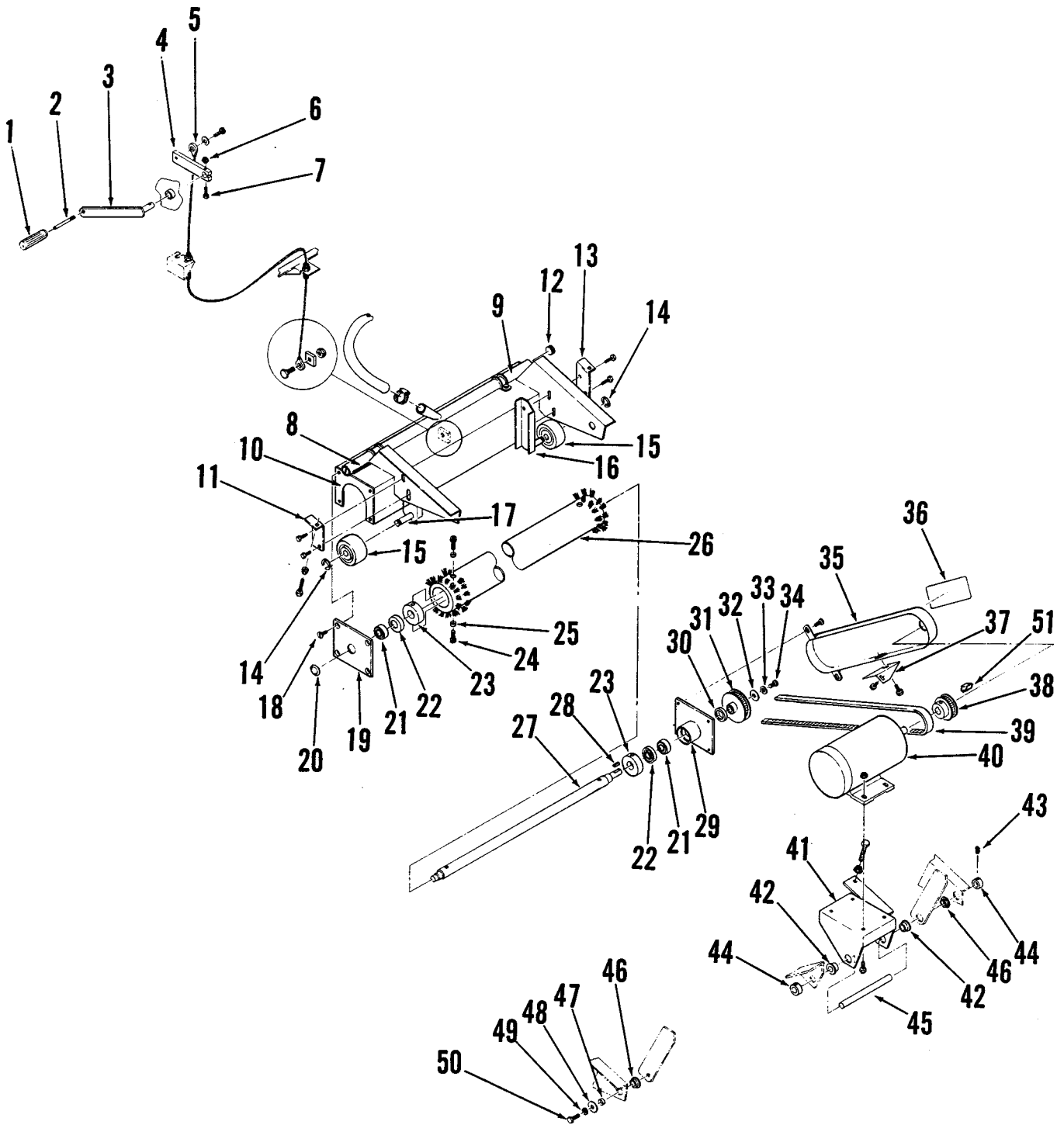
BRUSH DRIVE ASSEMBLY

87-2

18

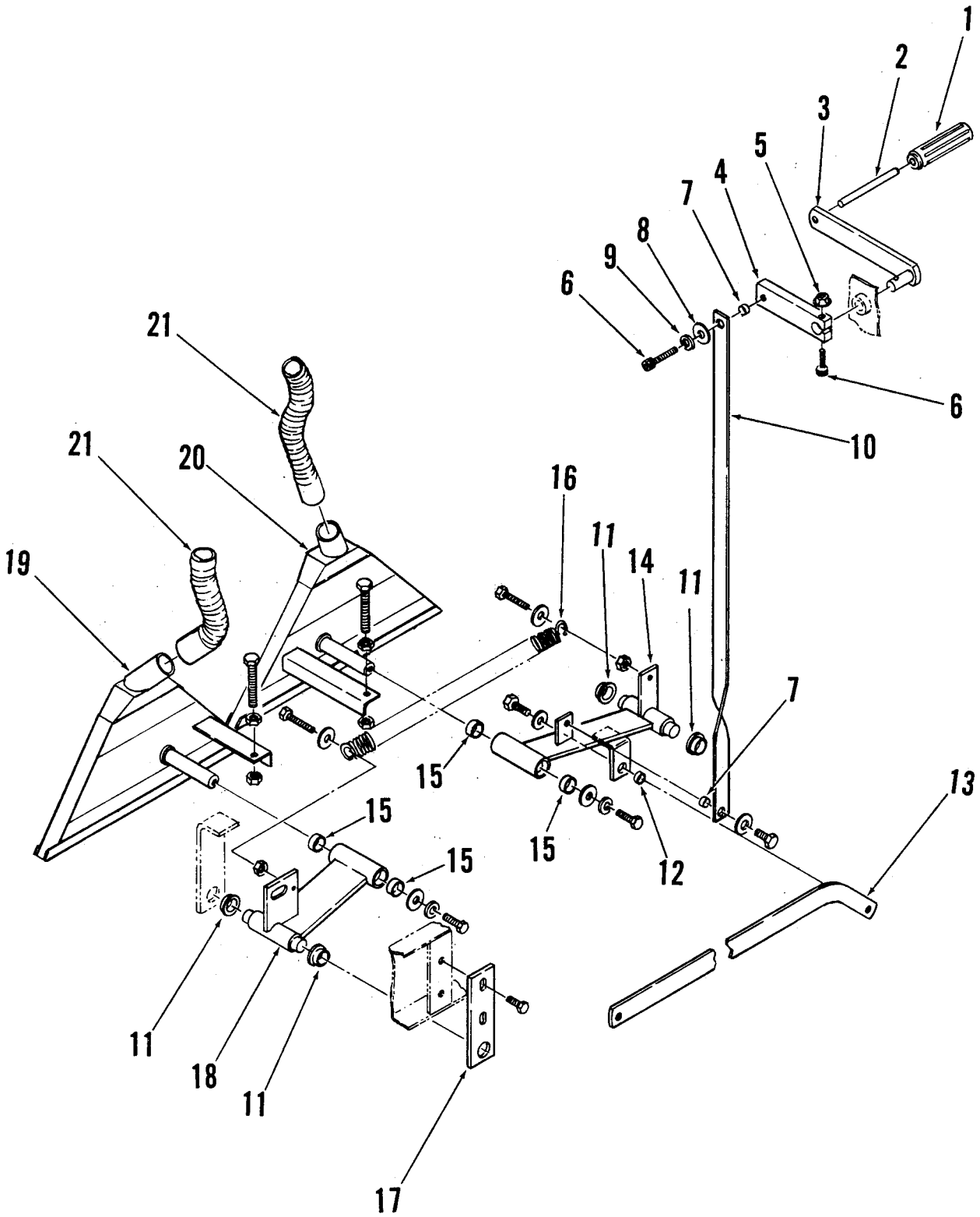
Aquamatic™ 26BF

00-9



87-2	BRUSH DRIVE ASSEMBLY			
00-9	Aquamatic™ 26BF			19

Item	Ref. No.	Qty	Description
1	56471193	1	Grip
2	56376254	1	Pin
3	56261078	1	Lever Weldment, Right
4	56261080	1	Lever
5	56261098	1	Cable Assembly
6	56001827	4	Flange Nut
7	56002034	4	Screw, Socket Head
8	56385448	4'	Gasket
9	56261232	1	Manifold
10	56261132	1	Brush Housing Weldment
11	56261270	1	Bracket, Adjuster Right
12	56245014	2	Plug, Pipe 3/8
13	56261269	1	Bracket, Adjuster Left
14	56468834	2	Ring, Retaining Ext 1/2
15	56261146	2	Wheel, 2.50
16	56261140	1	Wheel Mount Weldment Left
17	56261139	1	Wheel Mount Weldment Right
18	56900649	8	Screw, PH Flat Head 10-24 x 3/8 SS
19	56261129	1	Pillow Block Weldment Right
20	56322231	1	Plug Button
21	56220529	2	Bearing, Ball .5000
22	56218049	2	Seal, Shaft .656
23	56261121	2	Collar
24	56002086	1	Screw, Socket Set 5/16-18 x 1/4
25	56368989	4	Bushing
26	56261144	1	Brush 24"
27	56261122	1	Shaft
28	56320218	1	Key, 1/8 x 3/8
29	56261126	1	Pillow Block Weldment Left
30	56366331	1	Shaft, Seal .750
31	56261114	1	Pulley
32	56454626	1	Washer, .26 x 1 x .074
33	56752973	1	Washer, Lock SS .250
34	56249584	1	Screw, Truss Head SS 303 1/4-20 x 3/4
35	56261287	1	Guard Weldment
36	56030078	1	Decal, Belt Guard
37	56261286	1	Bracket
38	56261119	1	Pulley
39	56261117	1	Belt, SYNC
40	56261210	1	Motor Brush
41	56261110	1	Bracket Weldment
42	56465366	2	Bearing Flange
43	56009131	2	Screw, Soc Set Loc 5/16-18 x .31
44	56152811	2	Collar, Shaft 1/2
45	56261115	1	Rod
46	56261145	2	Bearing Flange
47	56320595	1	Bushing
48	56152781	1	Washer, .34 x .93 x .12
49	56001905	1	Lock Washer, 5/16
50	56002035	1	Screw, Hex Head Cap 5/16-18 x 5/8
51	56367958	1	Key, 3/16 x 1-1/8



87-2	VACUUM TOOLS AND LINKAGE		
00-9	Aquamatic™ 26BF		21

Item	Ref. No.	Qty	Description
1	56471193	1	Grip
2	56376254	1	Pin
3	56261081	1	Lever Weldment, Left
4	56261080	1	Lever
5	56001827	1	Nut, Flanged Lock 1/4-20
6	56002034	2	Screw, Socket Hd Cap 1/4-20 x 1
7	56206784	1	Bushing
8	56002098	1	Washer, 1/4 SAE
9	56001907	1	Washer, Spring Lock 1/4
10	56261172	1	Linkage
11	56261173	4	Bearing, Flange
12	56320595	1	Bushing
13	56261171	1	Linkage
14	56261162	1	Arm Weldment, Left
15	56491656	4	Bearing, Sleeve
16	56371114	1	Spring, Extension
17	56261170	2	Bar
18	56261161	1	Arm Weldment, Right
19	56261151	1	Pick-Up Tool Weldment, Right
20	56261150	1	Pick-Up Tool Weldment, Left
21	56261123	2	Hose



Nilfisk-Advance, Inc.
14600 21st Avenue North
Plymouth, MN, 55447-3408
www.nilfisk-advance.com
Phone: 800-989-2235
Fax: 800-989-6566
©2000 Nilfisk-Advance, Inc.,
Plymouth, MN 55447-3408
Printed in the U.S.A.