

Aquamatic Selectric™



PARTS LIST **Advance MODEL 56263907 (220-240Vac)**

This Parts List is for Machines After Serial No. 0577937

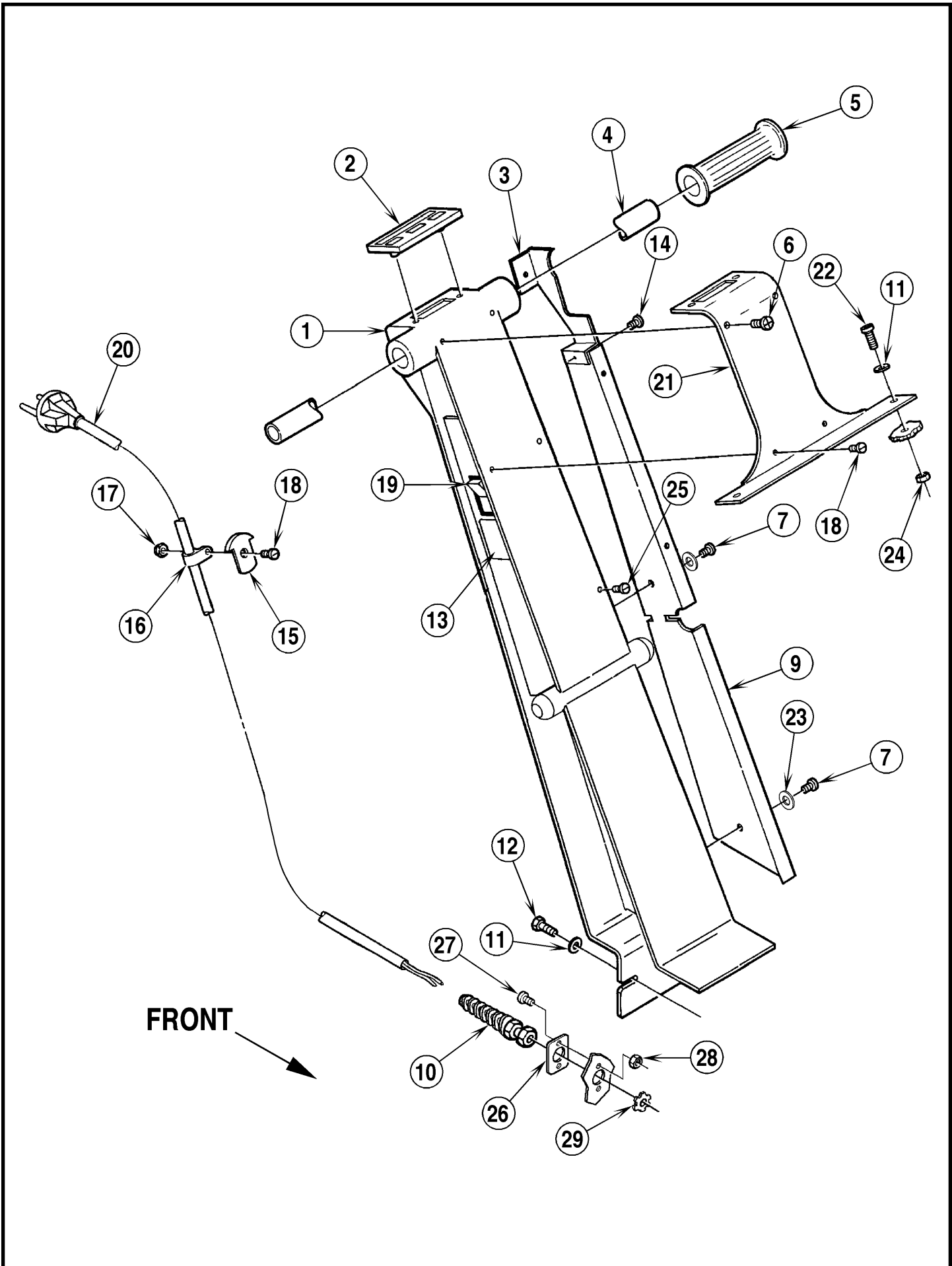
TABLE OF CONTENTS

<u>DESCRIPTION</u>	<u>PAGE</u>
Handle	1-2
Pivot Box Assembly	3-4
Chassis	5-6
Wiring Diagram	7-8
Electrical Schematic	9-10
Drive System	11-12
Brush Lift	13-14
Brush Motor & Pump	15-16
Vac Motor & Pick-Up	17-18
Tank Assembly	19-20

WHEN ORDERING PARTS

- * Use the 8 digit numbers from the "Ref. No." columns in this parts list.
- * Specify the model and serial number of the machine.
- * Use the space below to record the model and serial number for future reference.

Model _____ Serial No. _____

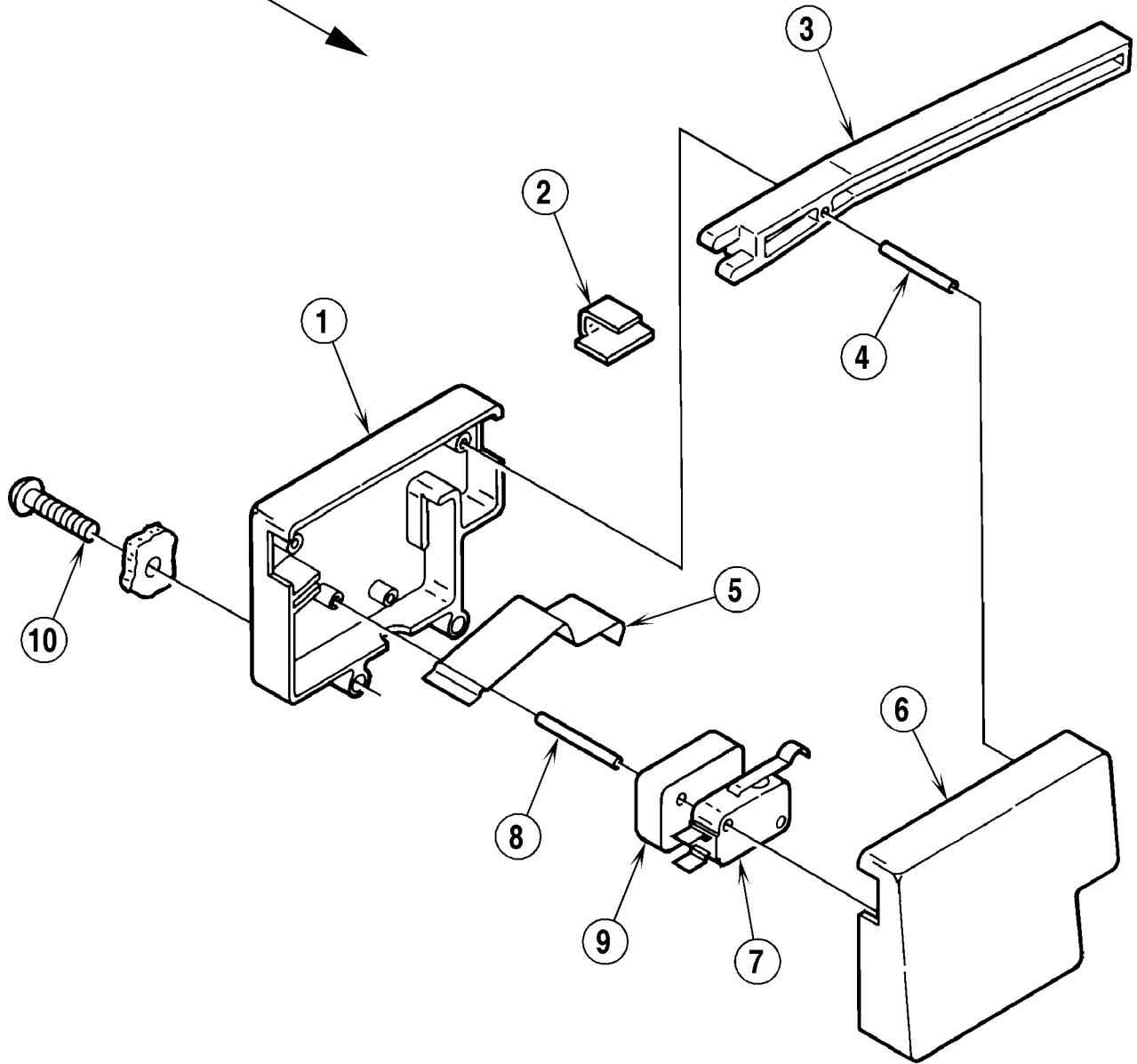


HANDLE

Item	Ref. No.	Qty	Description
1	56263847	1	Control Handle
2	56263691	1	Membrane Switch Assembly
	56325227	2	Nut, Push for 56263691
3	56263108	1	Upper Handle Panel
4	56263576	1	Handle Tube
5	56388545	2	Hand Grip
6	56009018	2	Scr, Hex Thd Form 1/4-20 x .75
7	56002738	5	Scr, Pan Phil Plastite 8-15 x .62
8			Intentionally Omitted
9	56263083	1	Lower Handle Panel
10	56323136	1	Strain Relief
11	56009060	4	1/4 SS Flat Washer
12	56002093	2	1/4-20 x 1 Screw
*	56002708	2	Nut, Hex Nyl Loc 1/4-20
13	56015132	1	Decal, Power
14	56009036	1	Scr, Pan Phil Thd Form 8-32 x .25
15	56171801	1	Cord Mount
16	56323277	1	P-Clamp
17	56002877	3	Nut, Hex Nyl Loc 8-32
18	56002438	3	Scr, Hex Thd Form 8-32 x .50
*	56009110	1	Nut, Hex Acorn 8-32
19	56393312	1	Power Switch
20	56382331	1	Power Cord
21	56263885	1	Handle Plate
22	56002883	2	Scr Hex SS 1/4-20 x 1.00
23	56002140	2	Wsh, Flt SAE #8
24	56002491	2	1/4-20 SS Nyl Loc Nut
25	56009075	2	Scr, Hex Thd Form 8-32 x .38
*	56009110	1	Nut, Hex Acorn 8-32
26	56263913	1	Plate
27	56002587	2	Scr, Hex 6-32 x .62
28	56002964	2	Nut, Hex Nyl Loc Thin SS 6-32
29	56009095	1	Nut, Conduit Lock 1/2-14

* = Not Shown

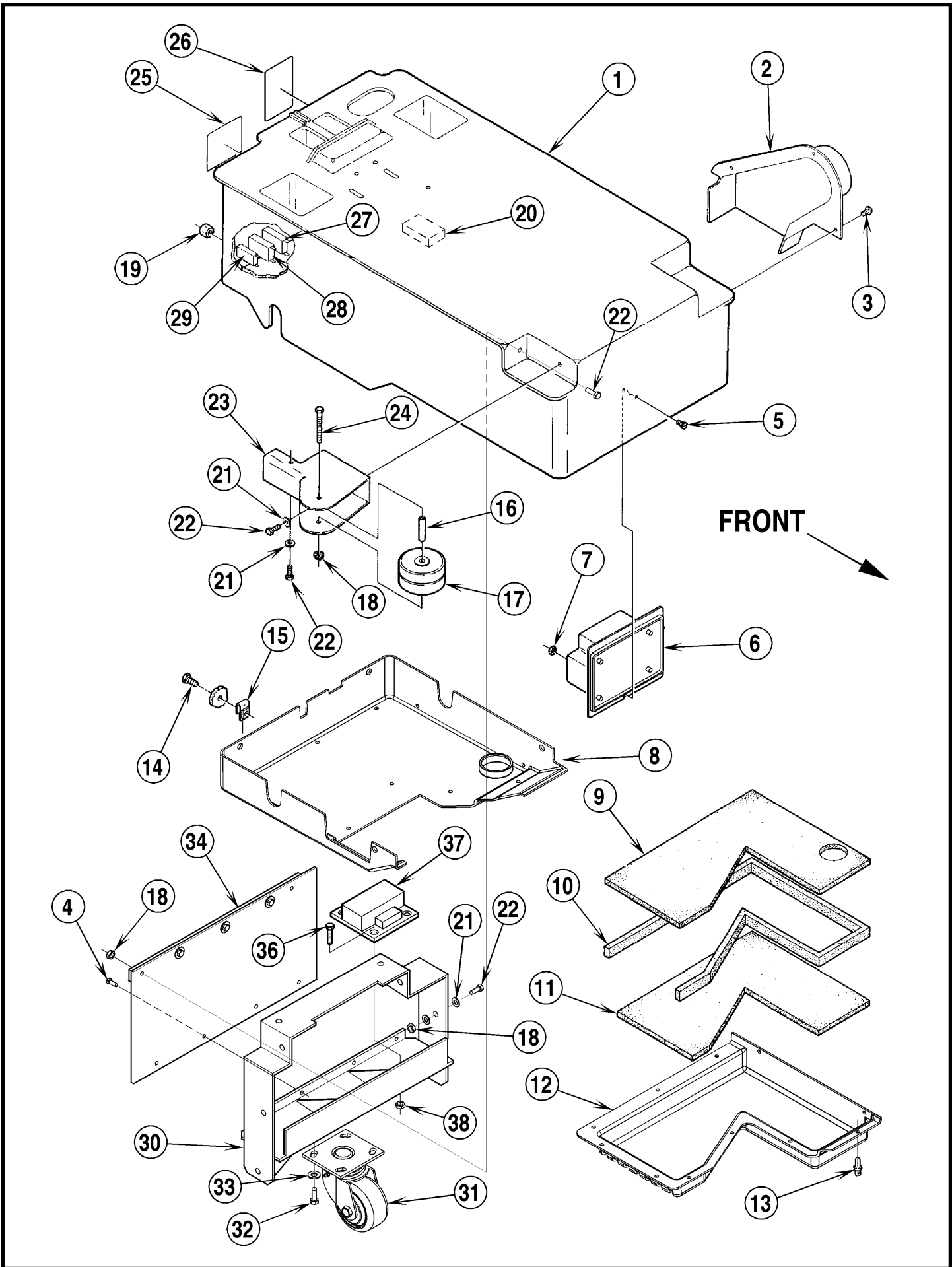
FRONT



PIVOT BOX ASSEMBLY

Item	Ref. No.	Qty	Description
	56263916	1	Pivot Box Assembly (#1-9)
1	56263645	1	Pivot Box
2	56263580	1	Clip
3	56263578	2	Lever
4	56002763	2	Spring Pin
5	56263648	1	Spring Plate
6	56263646	1	Pivot Box Cover
7	56263174	1	Switch
8	56002765	2	Spring Pin
9	56263915	1	Spacer
10	56002738	2	Scr, Pan Phil Plastite 8-15 x .62
*	56263172	1	Wire White/Green
*	56263173	1	Wire Red/Green

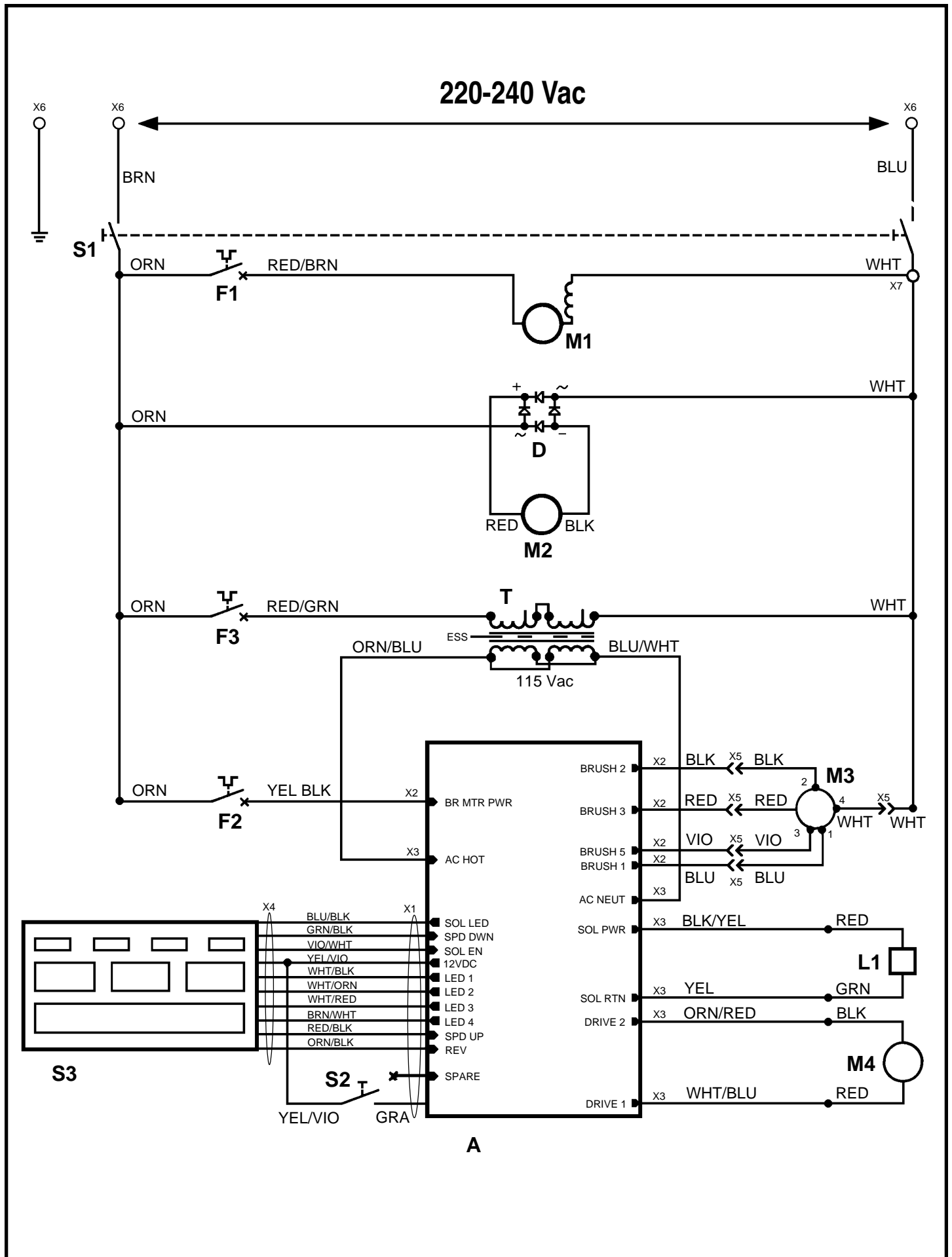
* = Not Shown



CHASSIS

Item	Ref. No.	Qty	Description
1	56263876	1	Chassis
2	56263550	1	Belt Cover
3	56002834	3	Scr, Hex Thd 10-24 x .38
*	56249946	3	Brass Insert
4	56009039	4	Scr, Hex Thd Form 10-24 x .50
5	56002582	1	Scr, Hex Hd 6-32 x .88
6	56263395	1	Control Assembly
7	56002964	1	Nut, Hex Nyl Loc-Thin SS 6-32
	56263836	1	Muffler Assembly (#8-13, 15)
8	56263588	1	Bottom Cover
9	56263838	1	Foam
10	56263839	1	Foam
11	56263835	1	Foam
12	56263834	1	Muffler Housing
13	56263843	11	Panel Retainer
14	56002145	4	1/4-20 x 3/4 Screw
15	56009289	4	Nut Clamp
16	56263570	2	Bushing
17	56323721	4	Wheel
18	56002708	6	Nut, Hex Nyl Loc 1/4-20
19	56171541	3	Nut
20	56260071	1	Terminal Block
*	56002817	1	Scr, Pan Phil 6-32 x .75
21	56002098	12	1/4 Flat Washer
22	56002093	10	Scr, Hex Hd 1/4-20 x 1.00
*	56002708	6	Nut, Hex Nyl Loc 1/4-20
23	56263560	1	Right Bracket
*	56263813	1	Left Bracket
24	56001856	2	1/4-20 x 2-1/4 Screw
25	56015170	1	Decal, Instructions
26	56014781	1	Decal, Warning
27	56168786	1	13A Circuit Breaker
28	56329177	1	6A Circuit Breaker
29	56326512	1	2A Circuit Breaker
30	56263617	1	Pivot Bracket
31	56365555	1	Caster
*	56365742	1	Replacement Wheel
32	56002221	4	Scr, Hex 5/16-18 x 1.00
33	56001939	4	Wsh, Flt SAE 5/16
34	56263213	1	Cover Assembly
*	56263215	1	Cover, Rubber
*	56263214	1	Strap, Upper
*	56009039	3	Scr, Hex Thd Form 10-24 x .50
*	56009096	3	Wsh, Flt .19 x .87 x .06
35			Intentionally Omitted
36	56002496	4	Scr, Pan Phil 10-32 x 1
37	56263104	1	Transformer
38	56263110	4	Nut, Clamp 10-32

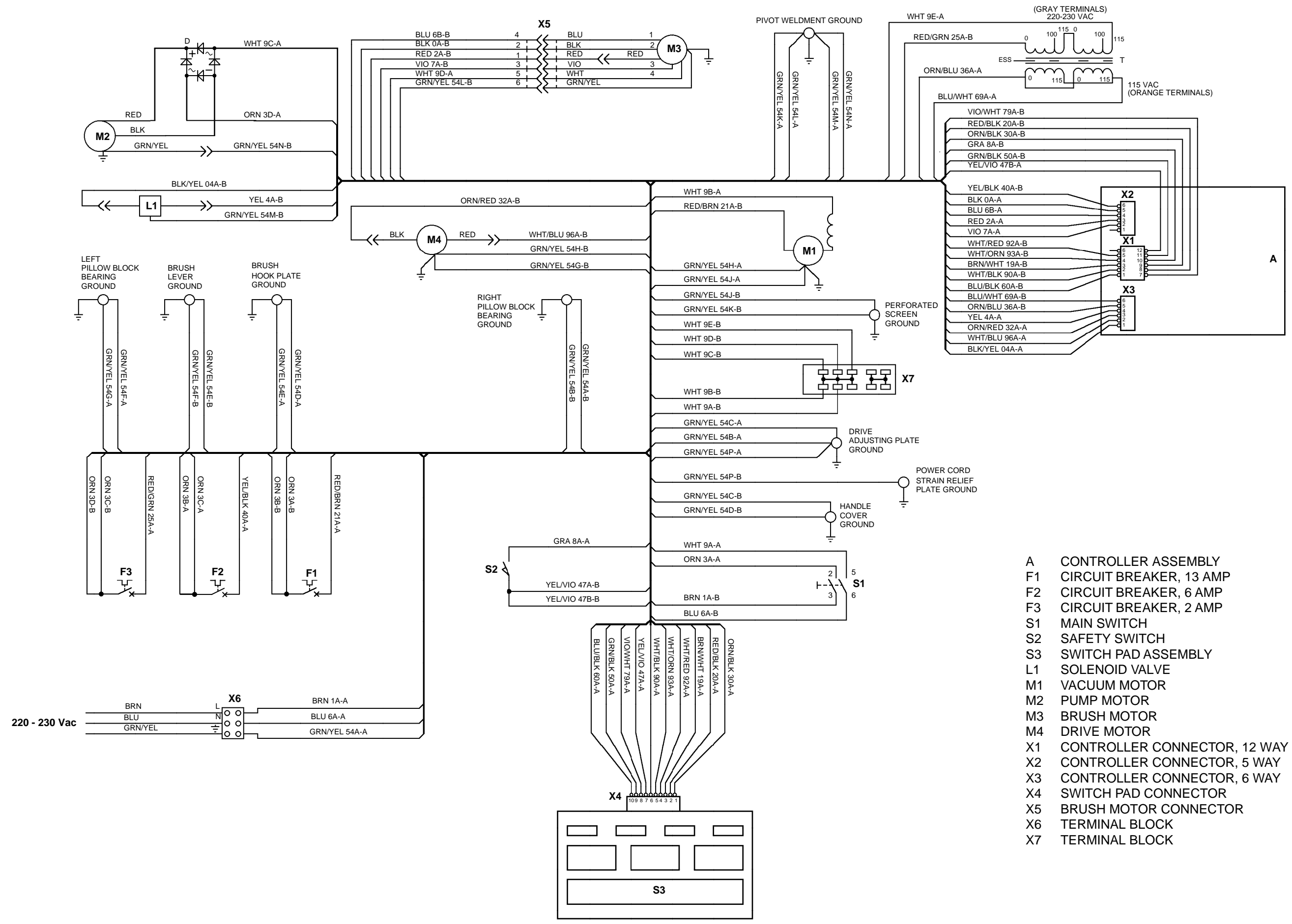
* = Not Shown



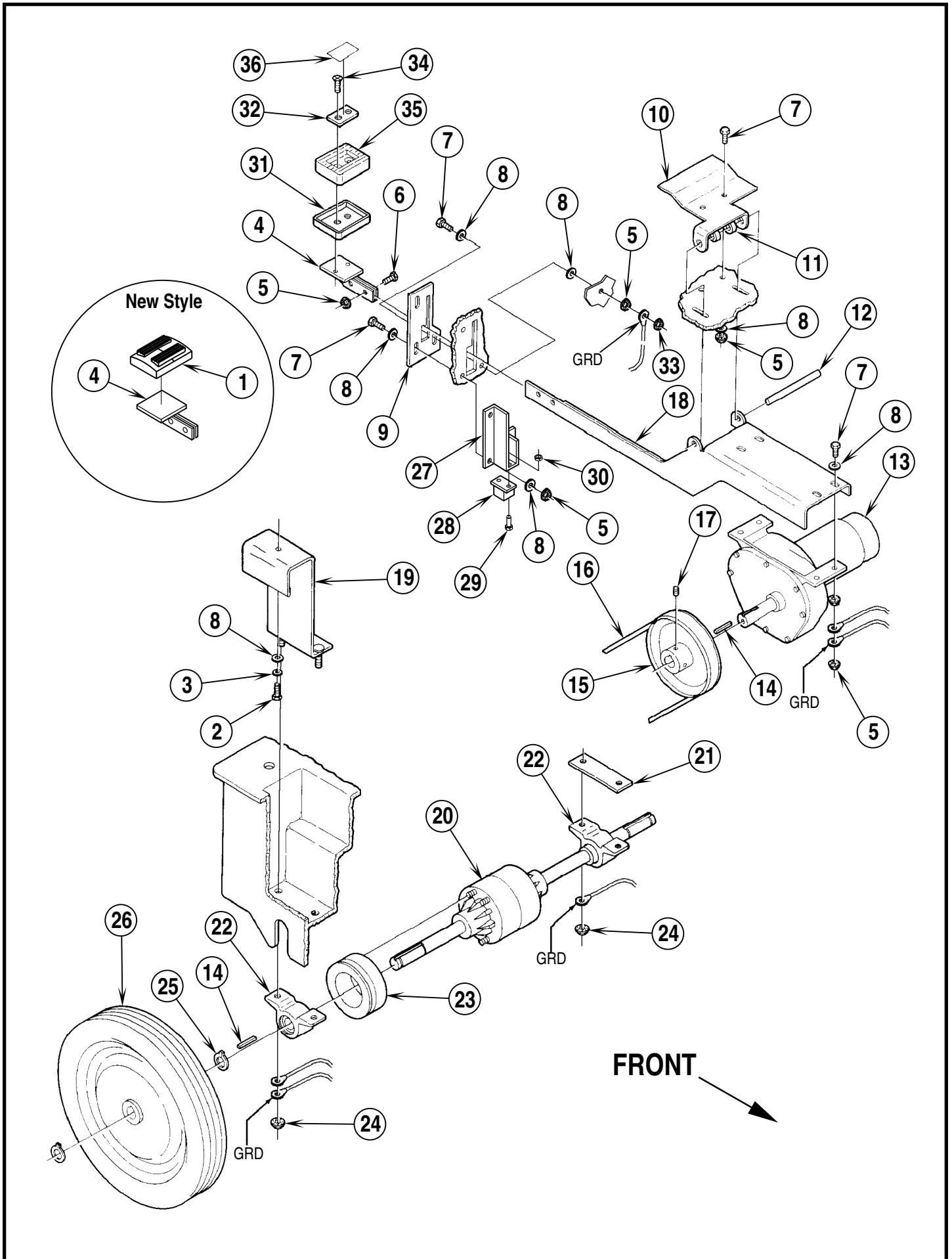
WIRING LADDER DIAGRAM

Item	Ref. No.	Qty	Description
A	56263903	1	Control Assembly
D	56180163	1	Rectifier
F1	56168786	1	Circuit Breaker, Vacuum Motor 13A
F2	56329177	1	Circuit Breaker, Brush Motor 6A
F3	56326512	1	Circuit Breaker, Drive Motor 2A
L1	56100039	1	Solenoid Valve
M1	56262586	1	Motor, Vacuum
M2	56262585	1	Motor, Pump TSB 703
M3	56264092	1	Motor, Brush
M4	56263597	1	Motor, Drive
S1	56393312	1	Switch, Main
S2	56263174	1	Switch, Safety
S3	56263691	1	Switch, Membrane
T	56263104	1	Transformer
X1	56263105	1	Controller Connector, 12 Way
X2	56900184	1	Controller Connector, 6 Way
X3	56324020	1	Controller Connector, 6 Way
X4	56263910	1	Switch Pad Connector
X5	56900219	1	Brush Motor Connector
X6	56183523	1	Terminal Block
X7	56260071	1	Terminal Block
*	56263103	1	Main Wiring Harness

* = Not Shown



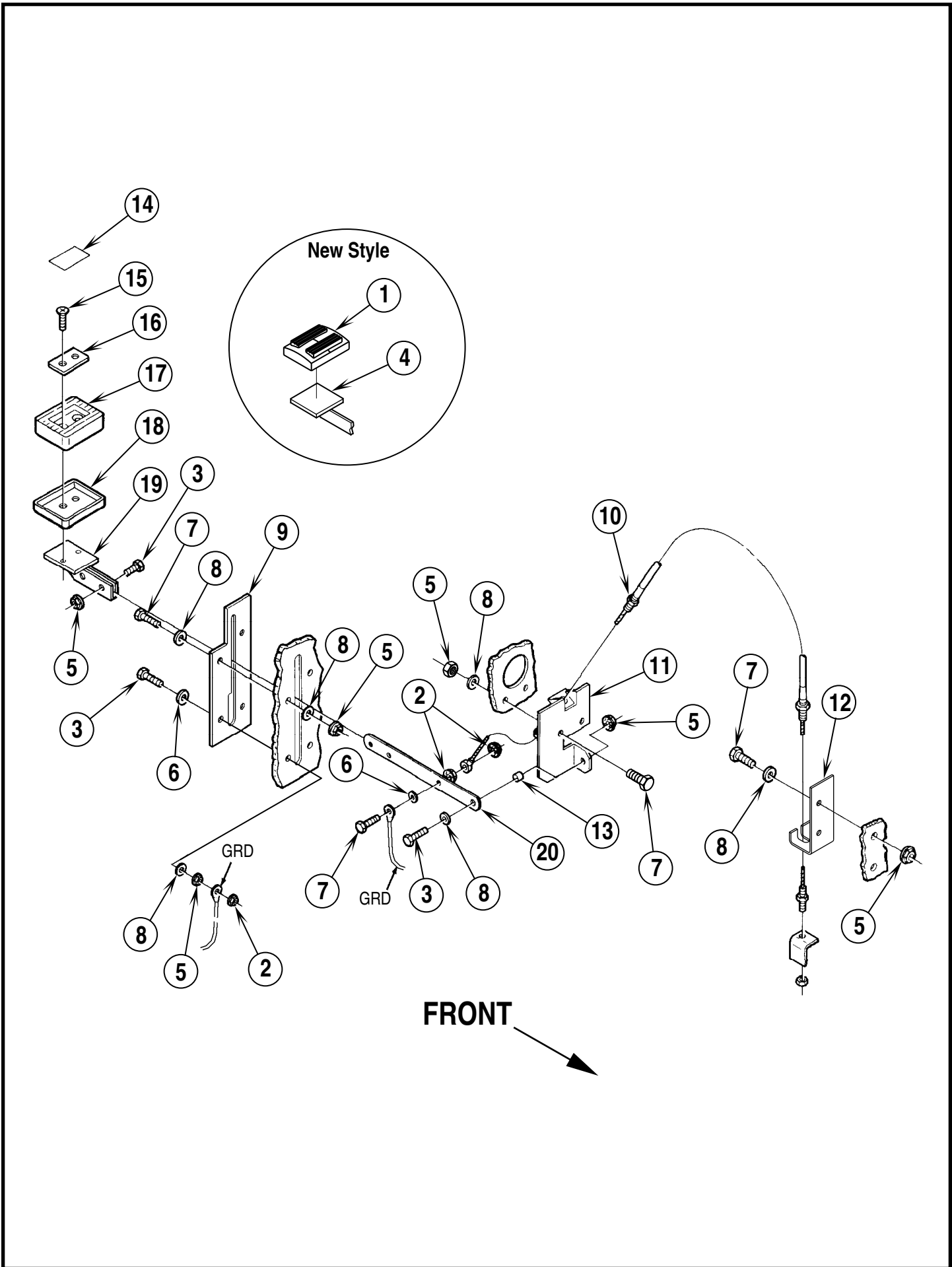
- A CONTROLLER ASSEMBLY
- F1 CIRCUIT BREAKER, 13 AMP
- F2 CIRCUIT BREAKER, 6 AMP
- F3 CIRCUIT BREAKER, 2 AMP
- S1 MAIN SWITCH
- S2 SAFETY SWITCH
- S3 SWITCH PAD ASSEMBLY
- L1 SOLENOID VALVE
- M1 VACUUM MOTOR
- M2 PUMP MOTOR
- M3 BRUSH MOTOR
- M4 DRIVE MOTOR
- X1 CONTROLLER CONNECTOR, 12 WAY
- X2 CONTROLLER CONNECTOR, 5 WAY
- X3 CONTROLLER CONNECTOR, 6 WAY
- X4 SWITCH PAD CONNECTOR
- X5 BRUSH MOTOR CONNECTOR
- X6 TERMINAL BLOCK
- X7 TERMINAL BLOCK



DRIVE SYSTEM

Item	Ref. No.	Qty	Description
1	56365002	1	Pad, Rubber
2	56002155	2	Scr, Hex Hd 1/4-20 x .75
3	56009064	2	1/4 Shakeproof Washer
4	56263641	1	Pedal
5	56002708	12	Nut, Hex Nyl Loc 1/4-20
6	56002155	2	1/4-20 x 3/4 Screw
7	56002093	9	1/4-20 x 1 Screw
	56002711	2	1/4-20 x 7/8 Flt Hd Screw (used on #10 when countersunk)
8	56002098	14	1/4 Flat Washer
9	56263536	1	Adjusting Plate
10	56263531	1	Motor Bracket
11	56331076	2	Collar
*	56009084	2	#10-24 x 3/16 Set Screw
12	56263532	1	Pin
13	56263597	1	Drive Motor
*	56263904	1	Carbon Brush / Spring Kit (for 56263597)
14	56003241	3	Key 3/16 x 1-5/16
15	56263527	1	Sheave
16	56471087	1	Belt
17	56002119	2	1/4-20 x 1/2 Set Screw
18	56263540	1	Motor Mount
19	56263538	2	Bolt Anchor
20	56263537	1	Differential
21	56263827	1	Spacer
22	56263525	2	Pillow Block
23	56263533	1	Sheave
24	56002701	4	5/16-18 Nyl Loc Nut
25	56003260	4	Retaining Ring
26	56263583	2	Wheel
27	56263914	1	Shield
28	56183523	1	Terminal Block
29	56002251	2	Scr Pan Phil 4-40 x .62
30	56002838	2	Nut Hex Nyl Loc 4-40
31	56365083	1	Pedal Cup
32	56365081	1	Plate
33	56002840	1	Nut
34	56009126	2	Scr Pan Phil Thd Form 1/4-20 x .75
35	56365082	1	Pad
36	56015175	1	Decal, Pedal

* = Not Shown



BRUSH LIFT LEVER

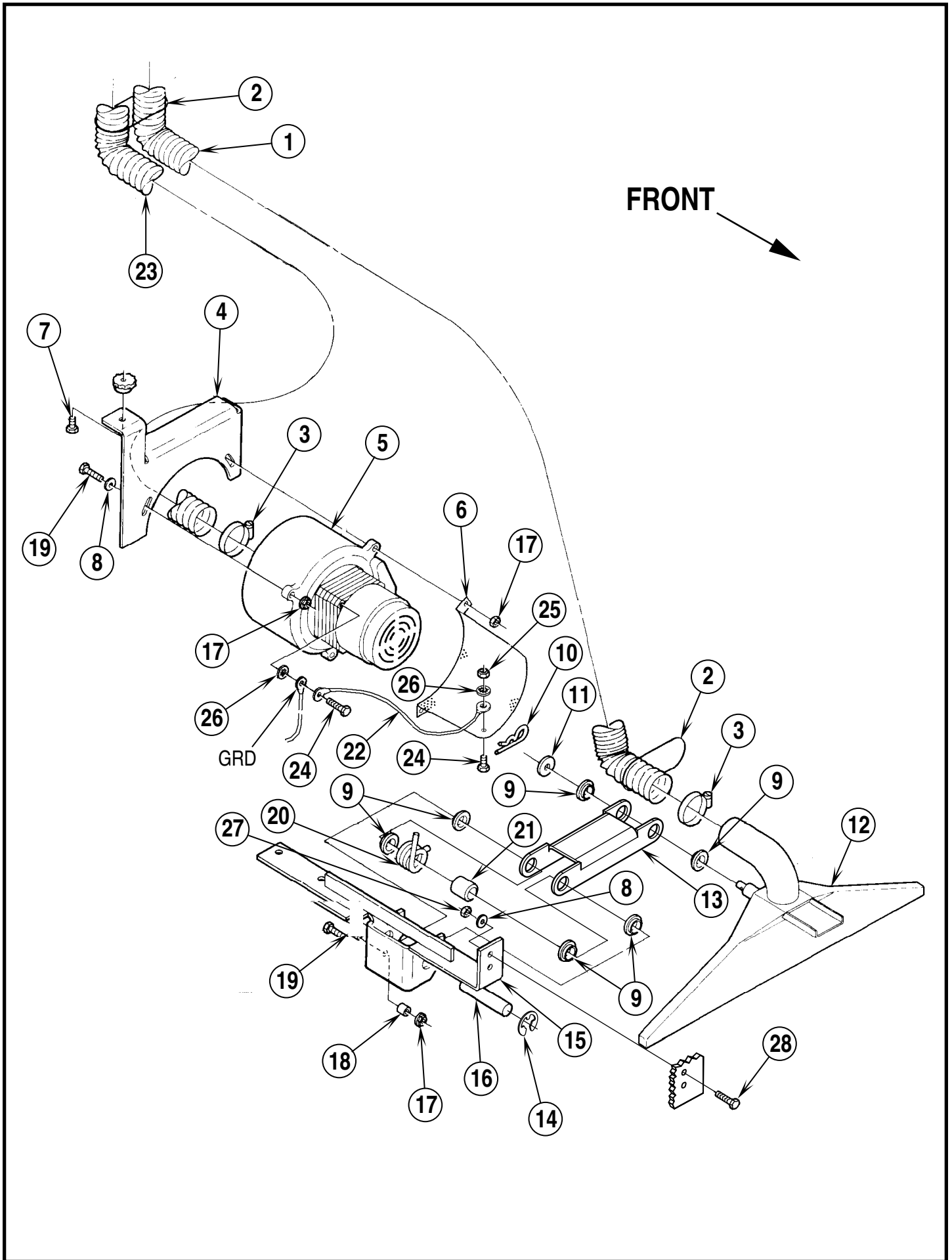
Item	Ref. No.	Qty	Description
1	56365002	1	Pad, Rubber
2	56002840	3	Nut, Hex Nyl loc-Thin 1/4-20
3	56002155	4	Scr, Hex 1/4-20 x .75
4	56263917	1	Arm
5	56002708	11	Nut, Hex Nyl Loc 1/4-20
6	56009064	2	1/4 Shakeproof Washer
7	56002093	8	1/4-20 x 1.00
8	56002098	12	1/4 Flat Washer
9	56263708	1	Plate, Hook
10	56263640	1	Cable
11	56263867	1	Pivot, Bracket
12	56263109	1	Bracket
13	56379298	1	Bushing
14	56015174	1	Decal, Pedal
15	56009126	2	Scr, Pan Phil Thd Form 1/4-20 x .75
16	56365081	1	Plate
17	56365082	1	Pad
18	56365083	1	Pedal Cup
19	56263641	1	Pedal
20	56263871	1	Arm

BRUSH MOTOR & PUMP

Item	Ref. No.	Qty	Description	Item	Ref. No.	Qty	Description
1	56264092	1	Brush Motor 220-240V	29	56263922	1	Brush Assembly
2	56263544	1	Sheave	**	56262559	1	Pulley
3	56009131	1	Scr, Soc Set Loc 5/16-18 x .31	**	56262648	1	Right Bearing Block
4	56263676	1	Belt	**	56262647	1	Left Bearing Block
5	56002667	4	5/16-18 x 3/4 Bolt	**	56262626	1	Right Bearing
6	56009086	1	5/16-18 Jam Nut	**	56372773	1	Left Bearing
7	56009176	4	Scr, Hex Thd Form 10-24 x 1.00	30	56249568	1	Quick Disconnect
8	56263810	1	Reducer TSB 703	31	56745543	1	Bulkhead Adapter with Nut
9	56263552	1	Tee	32	56263551	1	Adapter
10	56100039	1	Solenoid Valve	33	56002910	2	3/8 SS Flat Washer
11	56900028	1	Elbow	34	56250042	1	Nozzle
12	56263884	1	Tube	35	56264459	1	Guard
13	56263822	2	Lift Bracket	36	56263609	1	Brush Bracket
14	56002872	3	Scr, Hex SS 5/16-18 x 2.00	37	56263219	1	Brush Housing-Drilled
15	56263830	2	Axle	38	56009018	15	Scr, Hex Thd Form 1/4-20 x .75
16	56323025	2	Wheel	39	56262585	1	Pump TSB 703
17	56002708	2	Nut, Hex Nyl Loc 1/4-20	*	56180163	1	Rectifier for Pump
18	56001939	4	Wsh, Flt SAE 5/16	40	56900069	1	Elbow TSB 703
19	56001954	4	Wsh, Flt SAE #10	41	56219932	1	Hose Clamp
20	56263543	1	Motor Mount	42	56386182	1	Spiral Hose
21	56002701	4	Nut, Hex Nyl Loc 5/16-18	43	56263845	1	Tube
22	56002221	8	5/16-18 x 1 Bolt		56263928	1	Flap Assembly (#23, 37, 44-45)
23	56009192	4	Rivet, Push Nylon Black	44	56263925	1	Strap
24	56385358	2	Washer .392 x 1.00 x .075	45	56263927	1	Flap
25	56244941	2	Bushing	46	56111309	1	Elbow
26	56261145	2	Bearing				
27	56263883	1	Tube				
28	56263556	1	Adapter				

* = Not Shown

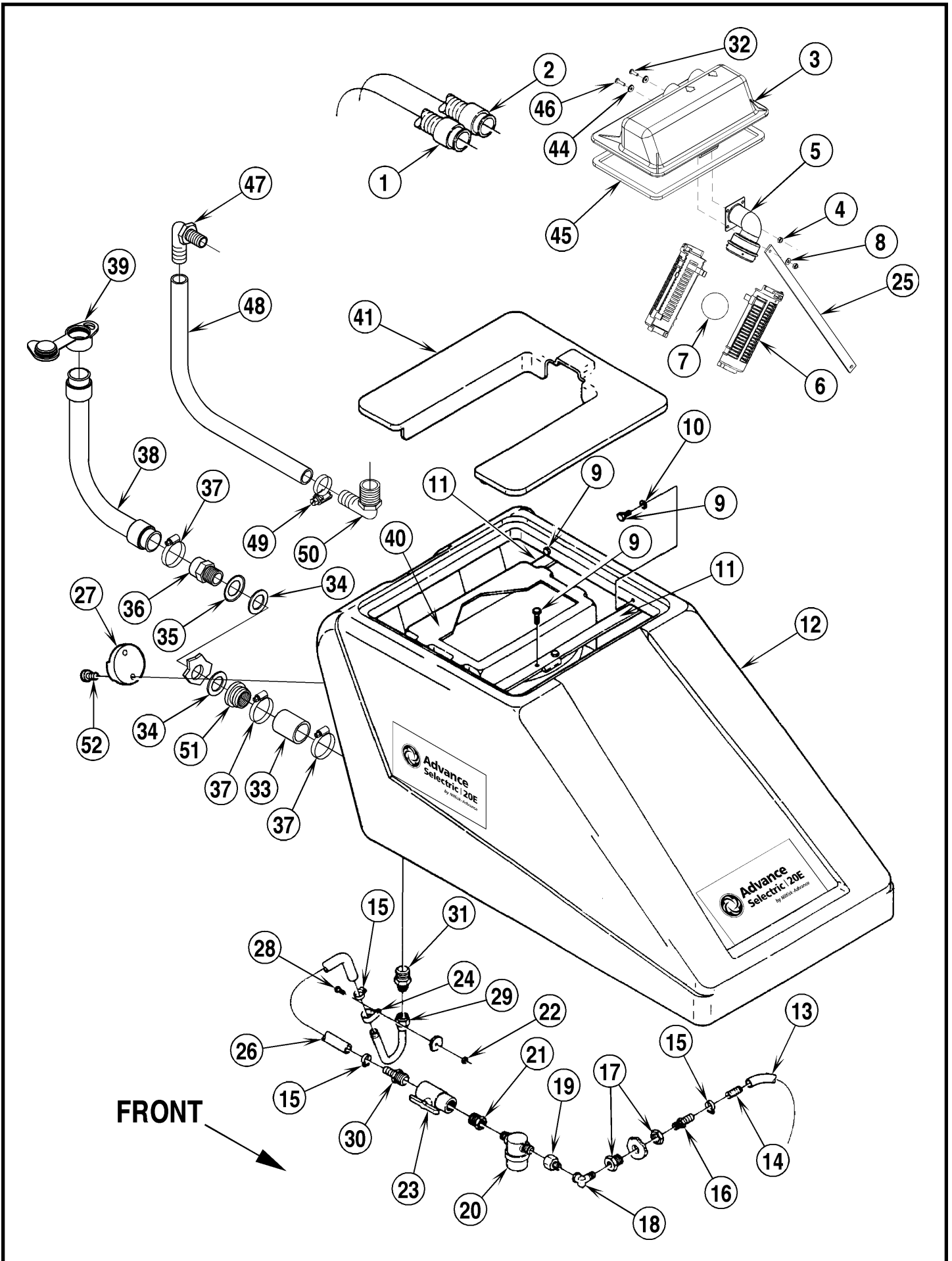
** = Parts of 56263922 Brush Assembly that are also available individually.



VACUUM MOTOR & PICK-UP TOOL

Item	Ref. No.	Qty	Description
1	56323380	1	Recovery Hose
2	56477613	2	Cable Tie
3	56329145	2	Hose Clamp
4	56263562	1	Motor Mount
5	56262586	1	Vacuum Motor
*	56503004	1	Carbon Brush Set for 56262586
6	56263059	1	Shield
7	56009018	2	Scr, Hex Thd Form 1/4-20 x .75
8	56002098	4	1/4 Flat Washer
	56263649	1	Pick-Up Tool Assembly (#9-21)
9	56100084	6	Bearing
10	56321406	1	Cotter Hair Pin
11	56180200	1	Washer
12	56263566	1	Pick-Up Tool
13	56263170	1	Bracket
14	56003265	2	Ring, Ret. Ext Type E
15	56263654	1	Pivot Bracket
16	56263652	1	Pivot Pin
17	56002708	4	Nut, Hex Nyl Loc 1/4-20
18	56321532	1	Bushing
19	56002093	4	Scr, Hex 1/4-20 x 1.00
20	56263563	1	Torsion Spring
21	56263069	1	Bushing
22	56171728	1	Wire GRN/YEL
23	56323378	1	Vacuum Hose
24	56009012	2	Scr, Hex Thd Form 10-24 x .38
25	56002832	1	Nut, Hex Nyl Loc-Thin 10-24
26	56009011	2	#10 Int SHPF Washer
27	56002708	2	Nut, Hex Nyl Loc 1/4-20
28	56002093	2	Scr, Hex 1/4-20 x 1.00

* = Not Shown



TANK ASSEMBLY

Item	Ref. No.	Qty	Description	Item	Ref. No.	Qty	Description
1	56323378	1	Vacuum Hose	27	56171800	1	Wall Plate, Plug Lug
*	56015655	1	Decal, Direction	28	56009176	1	Scr, Hex Thd Form 10-24 x 1.00
2	56393769	1	Rec. Hose	29	56263850	1	Tube
*	56015655	1	Decal, Direction	30	56118117	1	Barb
3	56324395	1	Cover	31	56263849	1	Adapter
	56263948	1	Cover Assembly (#3-8, 25, 32, 44-46)	32	56002896	1	Scr, Pan Phil SS 10-24 x .62
4	56002849	2	Nut, Hex Nyl Loc-Thin SS 10-24	33	56263204	1	Hose Union
5	56324298	1	Float Elbow	34	56263208	2	Gasket
6	56324497	2	Float Cage (2 piece)	35	56263206	1	Compression Plate
7	56391690	1	Float Ball	36	56263870	1	Hose Nut
8	56009205	1	Wsh, Flt SS #10	37	56329145	3	Hose Clamp
9	56002368	10	Scr, Hex Thd to Hd 5/16-18 x 1.75	38	56262143	1	Recovery Tank Drain Hose
*	56263887	2	Support Plate	39	56393772	1	Drain Plug
*	56002856	6	5/16 SS Nut	40	56263211	1	Recovery Tank
10	56002938	4	5/16 SS Flat Washer	41	56263942	1	Cover
11	56263865	2	Hold Down Strap	*	56260148	1	Chain
12	56263923	1	Solution Tank	*	56003069	1	Scr Hex SS 6-32 x .50
13	56263845	1	Tube	*	56002964	1	Nut Hex Nyl Loc-Thin SS 6-32
14	56386182	1	Solution Tube	42			Intentionally Omitted
15	56219932	3	Hose Clamp	43			Intentionally Omitted
16	56373456	1	Barb	44	56209261	2	Washer, Sealing
17	56745543	1	Bulkhead Adapter with Nut	45	56262576	1	Gasket
18	56369632	1	Elbow	46	56002894	1	Scr, Pan Phil SS 10-24 x .75
19	56759072	1	Adapter	47	56264442	1	Barb, Elbow 90° 3/4 x 3/8 NPT
20	56260905	1	Strainer	48	56263218	1	Tube, PVC
21	56751687	1	Bushing	49	56112771	1	Clamp, Hose SAE #10
22	56002832	2	Nut, Hex Nyl Loc-Thin 10-24	50	56456802	1	Barb, Elbow 90° 3/4 x 3/4 NPT
23	56263853	1	Valve	51	56263205	1	Nut, Tank
24	56328064	2	P-Clamp	52	56009031	2	Scr, Pan Phil Thd Form 8-32 x .50
25	56263220	1	Strap, Retaining				
26	56263561	1	Hose				

* = Not Shown



Nilfisk-Advance, Inc.
14600 21st Avenue North
Plymouth, MN, 55447-3408
www.nilfisk-advance.com
Phone: 800-989-2235
Fax: 800-989-6566
©2000 Nilfisk-Advance, Inc.,
Plymouth, MN 55447-3408
Printed in the U.S.A.