

AquaTron™ 20 HP



PARTS LIST

Advance MODELS A20 & A20A

All models covered in this manual are OBSOLETE



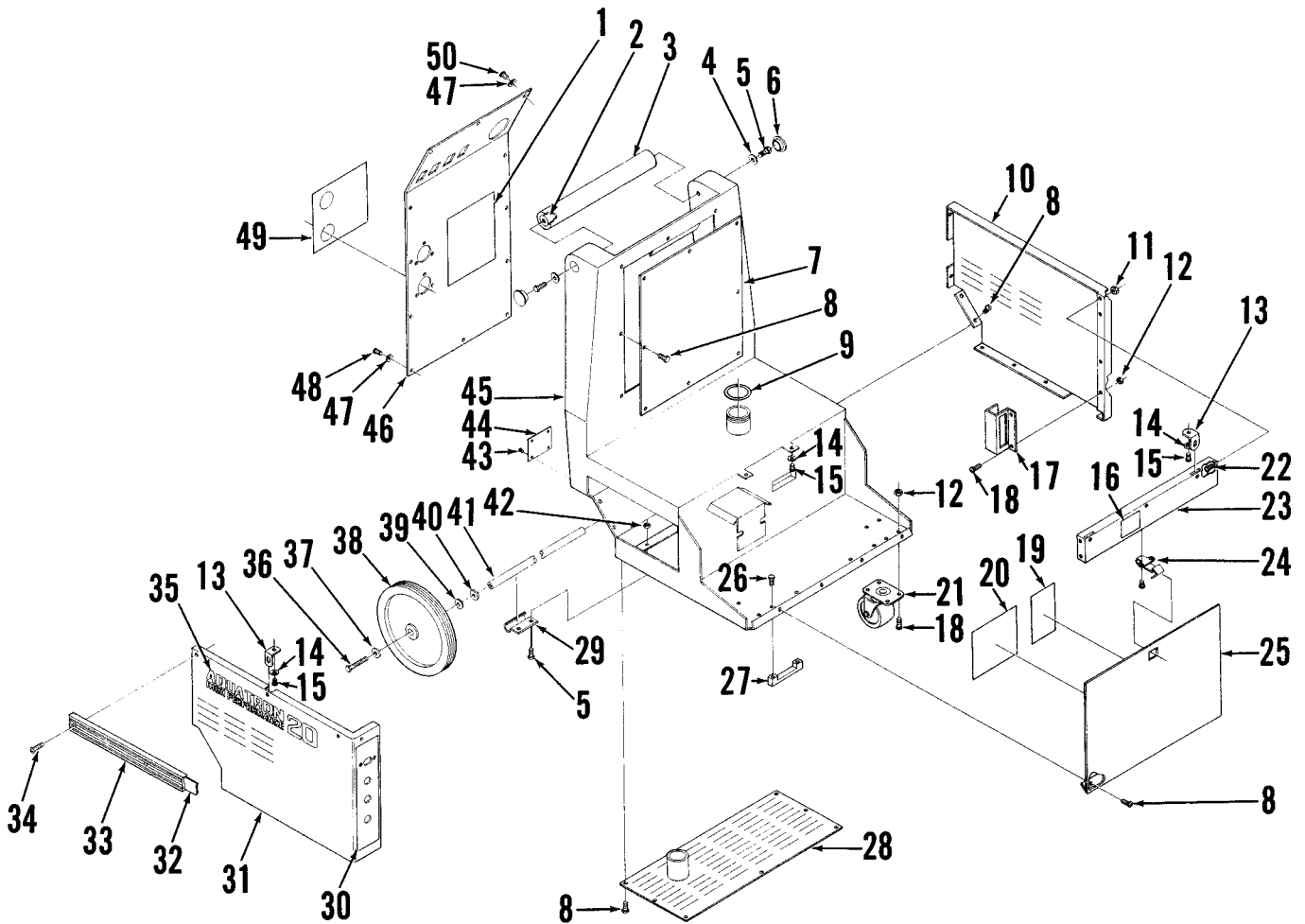
Advance
by Nilfisk-Advance

DESCRIPTION	PAGE
Frame Assembly	2-3
Tank Assemblies	4-5
Control Panel	6-7
Pump Assembly A20	8-9
Pump Assembly A20A	10-11
Vacuum Motor Assembly	12-13
Wiring Diagram A20	14-15
Wiring Diagram 20A	16-17
Floor Tool Assembly	18-19

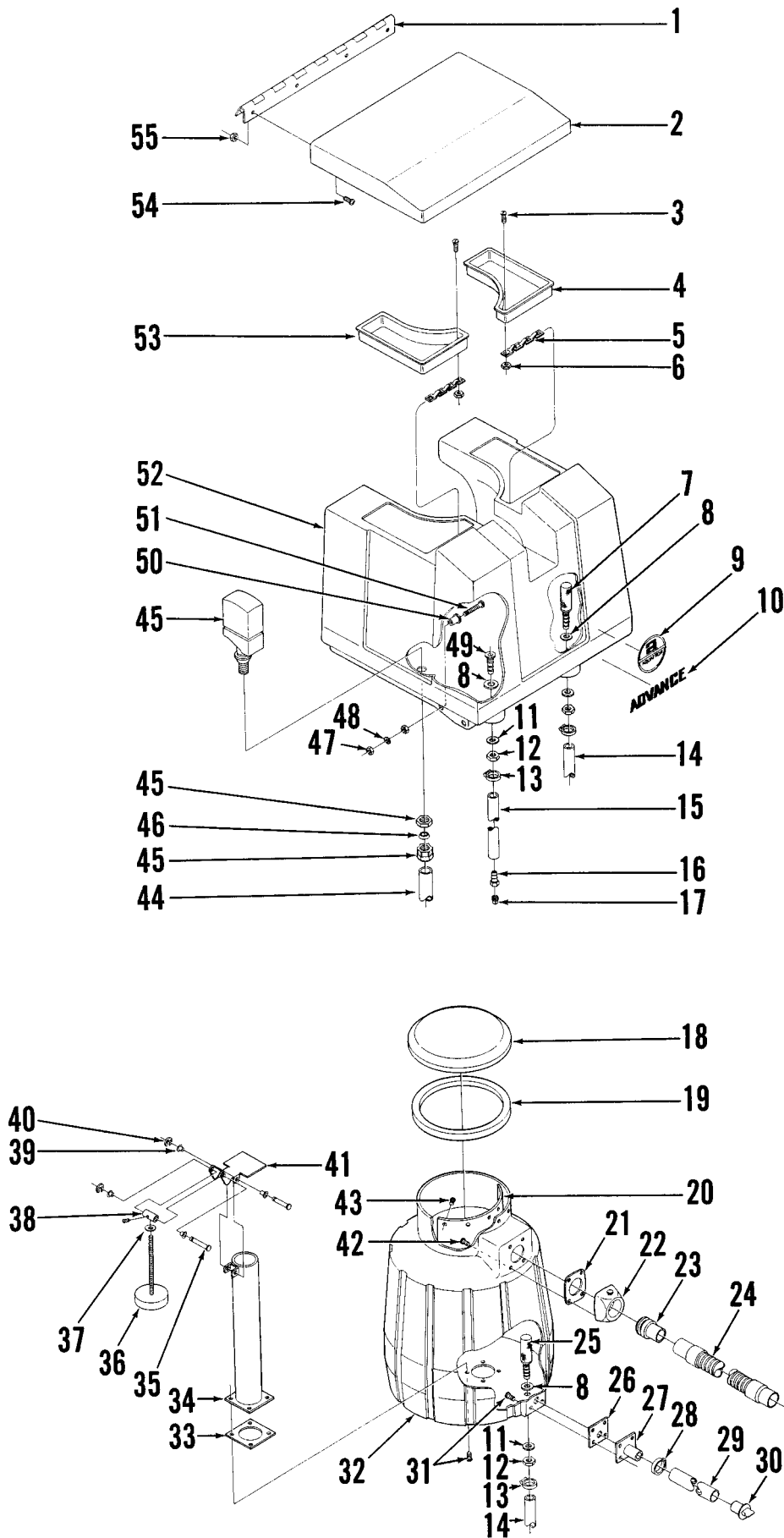
WHEN ORDERING PARTS

- * Use the 8 digit numbers from the "Ref. No." columns in this parts list.
- * Specify the model and serial number of the machine.
- * Use the space below to record the model and serial number for future reference.

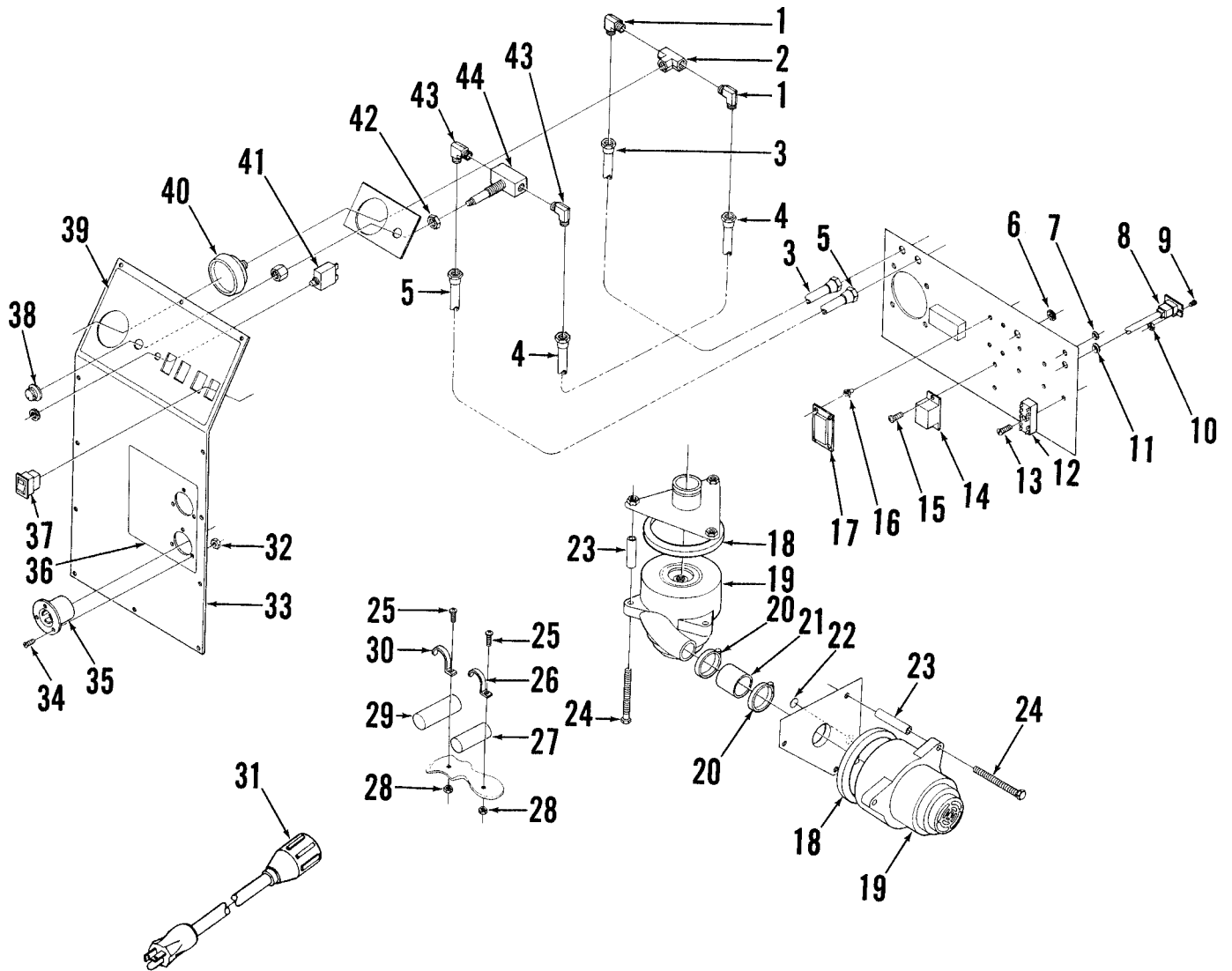
Model _____ Serial No. _____



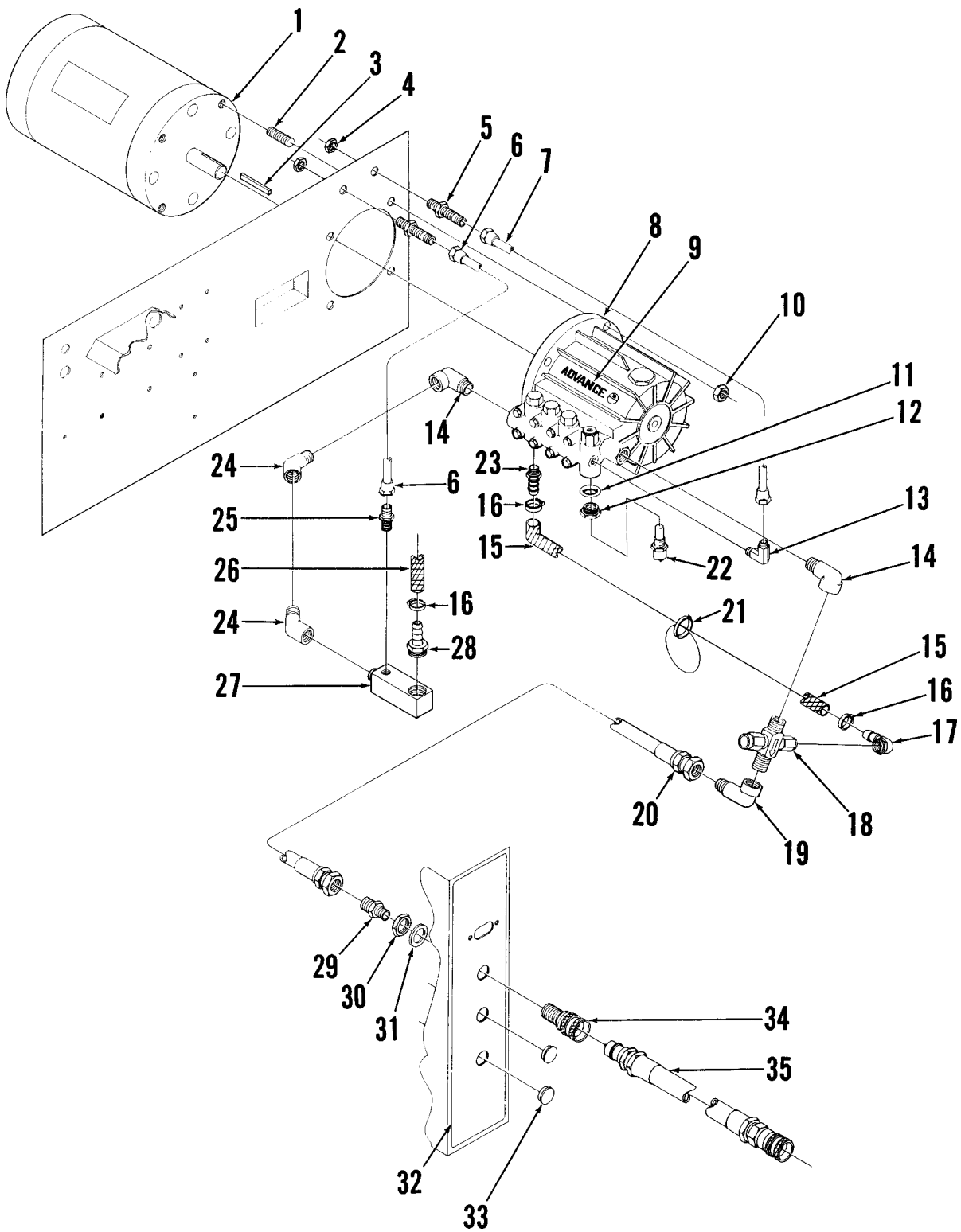
Item	Ref. No.	Qty	Description
1	56017908	1	Decal, Wiring A20A
	56017897	1	Decal, Wiring A20
2	56260014	1	Handle
3	56260118	1	Handle Grip
4	56001990	2	Washer
5	56002208	6	Bolt
6	56488888	2	Plug Button
7	56260013	1	Back Panel
8	56002519	35	Screw
9	56900038	1	O-Ring
10	56260021	1	Left Side Panel
11	56002010	4	Nut
12	56001827	10	Nut
13	56260019	4	Tank Brace
14	56001939	6	Washer
15	56921862	4	Screw
16	56017907	1	Decal, Chemical Control
17	56260015	1	Meter Mount A20A only
18	56001854	10	Screw (8 on A20A)
19	56017909	1	Decal, Information
20	56017906	1	Decal, Warning & Instruction
21	56260122	2	Caster
22	56002503	4	Screw
23	56260020	1	Front Panel
24	56372700	1	Door Latch
25	56260023	1	Door
26	56922520	4	Screw
27	56300101	2	Handle
28	56260010	1	Bottom Cover
29	56260016	2	Axle Brace
30	56017902	1	Decal, Plumbing & Electrical
31	56260022	1	Right Side Panel
32	56260039	1	Strap
33	56260134	1	Bumper
34	56002124	10	Screw
35	56017904	2	Decal, Aquatron
36	56002513	2	Screw
37	56002098	2	Washer
38	56260135	2	Wheel
39	56398056	2	Spring Washer
40	56260152	2	Spacer
41	56260017	1	Axle
42	56001894	4	Nut
43	56002522	4	Screw
44	56017905	1	Nameplate
45	56260040	1	Frame
46	56260009	1	Electrical Panel
47	56449340	12	Finishing Washer
48	56002547	9	Screw
49	56017903	12	Decal, Caution
50	56002178	3	Screw



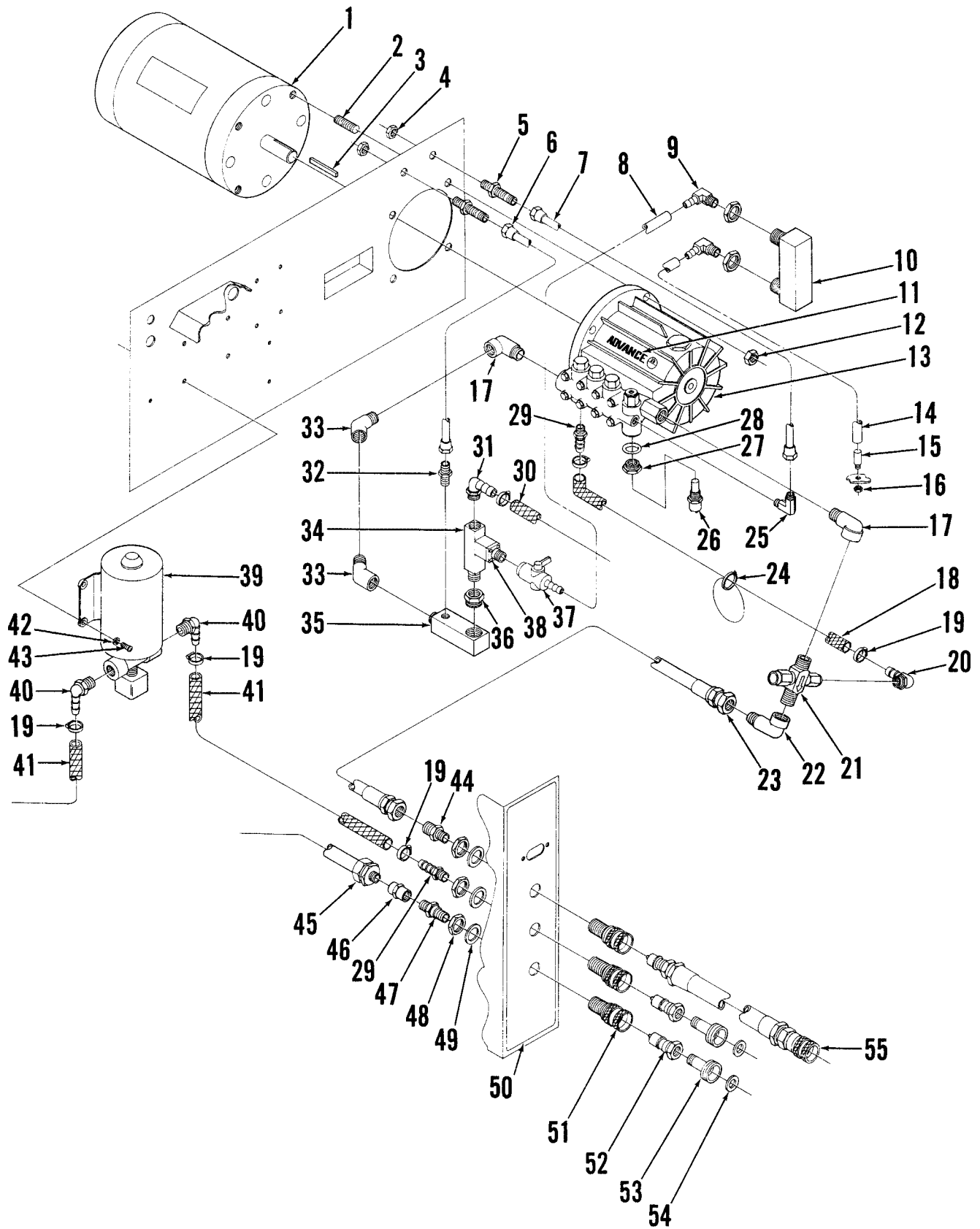
Item	Ref. No.	Qty	Description
1	56260008	1	Cover Hinge
2	56260007	1	Cover
3	56372728	2	Screw
4	56260085	1	Left Tank Cover
5	56260148	1	Chain
6	56022671	2	Nut
7	56260167	1	Screen Assy.
8	56740154	3	Rubber Washer
9	56017904	1	Decal, Aquatron
10	56016519	1	Decal, Advance
11	56002022	3	Washer (2 on A20)
12	56002122	3	Nut (2 on A20)
13	56219932	4	Hose Clamp (3 on A20)
14	56260169	1	Hose
15	56260096	2	Hose
16	56900030	1	Hose Barb
17	56900031	1	Plug TSB 386
18	56260146	1	Tank Dome
19	56260145	1	Channel Gasket
20	56260088	1	Deflector
21	56201390	1	Gasket
22	56201386	1	Connector Assy.
23	56201820	1	Adapter
24	56260128	1	Vacuum Hose
25	56260151	1	Screen Assy. (A20A only)
26	56260121	1	Drain Gasket
27	56260026	1	Tank Drain
28	56244969	1	Hose Clamp
29	56260097	1	Drain Tube
30	56260098	1	Plug
31	56209486	8	Screen
32	56260002	1	Recovery Tank
33	56260120	1	Tank Gasket
34	56260029	1	Tube
35	56260104	2	Pin
36	56206149	1	Float Assy.
37	56454626	1	Washer
38	56260089	1	Pivot Rod
39	56761454	4	Nylon Bushing
40	56321128	2	Retaining Ring
41	56260033	1	Float Door
42	56209519	4	Screw
43	56900043	5	Screw
44	56260139	1	Hose
45	56260130	1	Float Valve Assy.
46	56260137	1	Grab Ring
47	56001987	4	Nut
48	56002011	2	Washer
49	56260037	1	Barb Adapter
50	56376608	2	Well-Nut
51	56002503	2	Screw
52	56260004	1	Solution Tank
53	56260086	1	Right Tank Cover
54	56002503	4	Screw
55	56002010	4	Nut



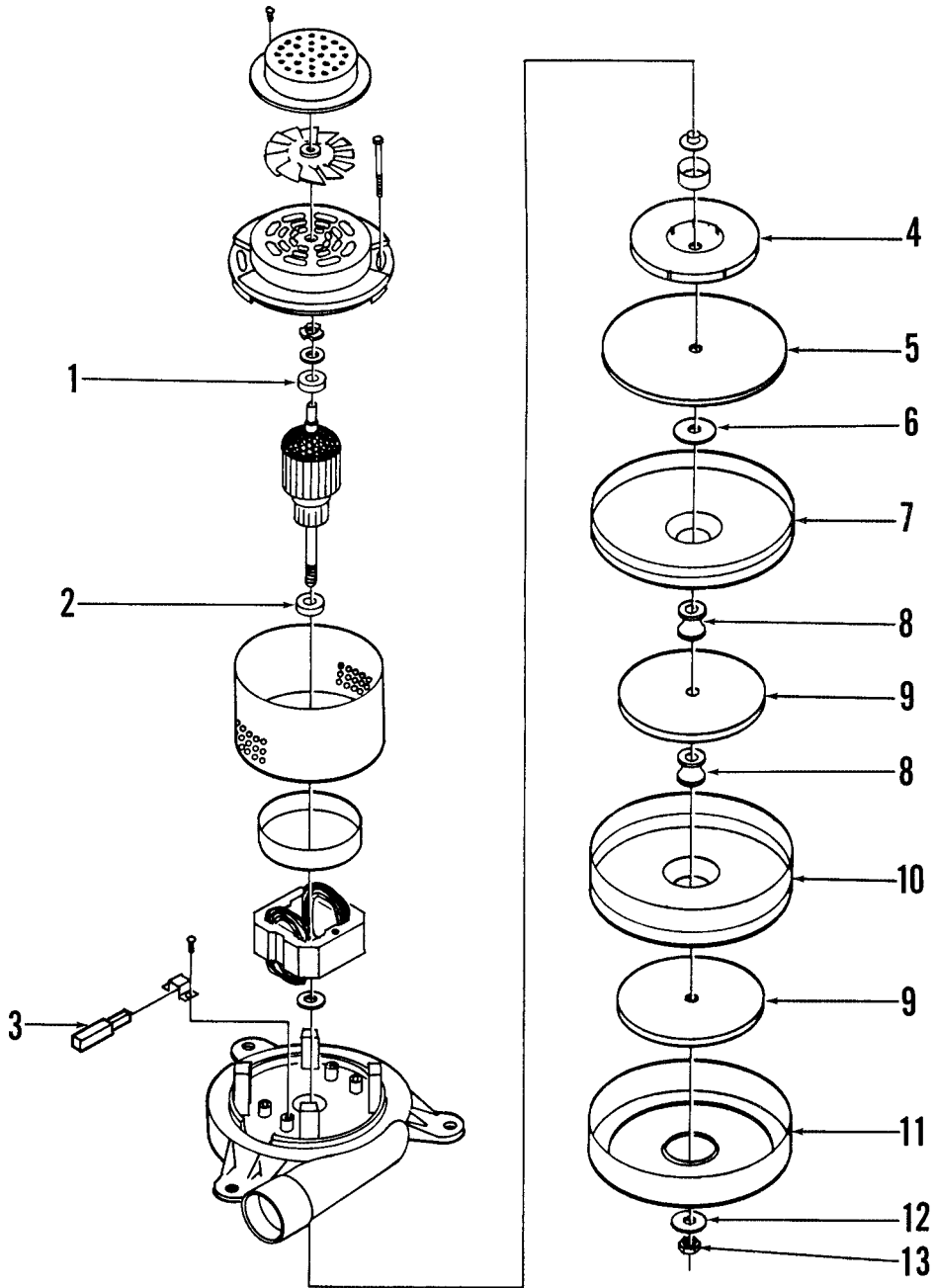
Item	Ref. No.	Qty	Description
1	56900024	2	Elbow
2	56900027	1	Tee
3	56260083	1	Tube Assy
4	56260080	1	Tube Assy
5	56260084	1	Tube Assy
6	56260067	1	Bushing
7	56163015	1	Strain Relief
8	56260062	1	Receptacle W/Cord
9	56570510	2	Screw
10	56002199	2	Nut
11	56260072	1	Strain Relief
12	56260071	1	Terminal Block
13	56002523	1	Screw
14	56260066	1	Relay
15	56002505	2	Screw
16	56260074	4	Board Support
17	56260069	1	Liquid Level Control
18	56249642	2	Vac Motor Gasket
19	56260060	2	Vac Motor
20	56440213	2	Hose Clamp
21	56260133	1	Hose
22	56014119	2	Decal, Ground
23	56260165	6	Spacer
24	56002026	6	Bolt
25	56002503	2	Screw
26	56260035	1	Clamp
27	56260070	1	Run Capacitor
28	56002010	2	Nut
29	56168442	1	Start Capacitor
30	56260036	1	Clamp
31	56260073	2	Cord Set
32	56002562	6	Nut
33	56260009	1	Electrical Panel
34	56001818	6	Screw
35	56260063	2	Flanged Inlet
36	56017903	1	Decal, Caution
37	56260064	4	Rocker Switch (3 on A20)
	56260155	1	Plug (A20 only)
38	56260136	1	Knob
39	56017901	1	Decal, Control Panel
40	56260115	1	Pressure Gauge
41	56260065	1	Circuit Breaker
42	56002169	1	Nut
43	56900028	2	Elbow
44	56260119	1	Needle Valve



Item	Ref. No.	Qty	Description
1	56260061	1	Motor
2	56900042	4	Screw
3		1	Key
4	56002305	2	Nut
5	56900389	2	Bulkhead Union
6	56260081	1	Tube Assy.
7	56260082	1	Tube Assy.
8	56260091	1	Pump TSB 460
9	56017900	1	Decal, Advance
10	56001894	4	Nut
11	56900040	1	O-Ring
12	56260101	1	Brass Bushing
13	56900024	1	Male Elbow
14	56900021	2	Elbow
15	56260095	1	Hose
16	56219932	4	Hose Clamp
17	56900036	1	Elbow Barb
18	56260093	1	Unloader Valve
19	56900023	1	Female Elbow
20	56260112	1	Pressure Hose
21	56477613	1	Wire Tie
22	56260068	1	Thermostat
23	56900034	1	Adapter Barb
24	56900022	2	Street Elbow
25	56900025	1	Male Connector
26	56260169	1	Hose
27	56260094	1	Manifold Block
28	56118117	1	Barb
29	56900029	1	Male Connector
30	56001948	1	Nut
31	56002141	1	Washer
32	56017902	1	Decal, Plumbing & Electrical
33	56900041	2	Plug
34	56260126	3	Coupler
35	56260173	1	High Pressure Hose

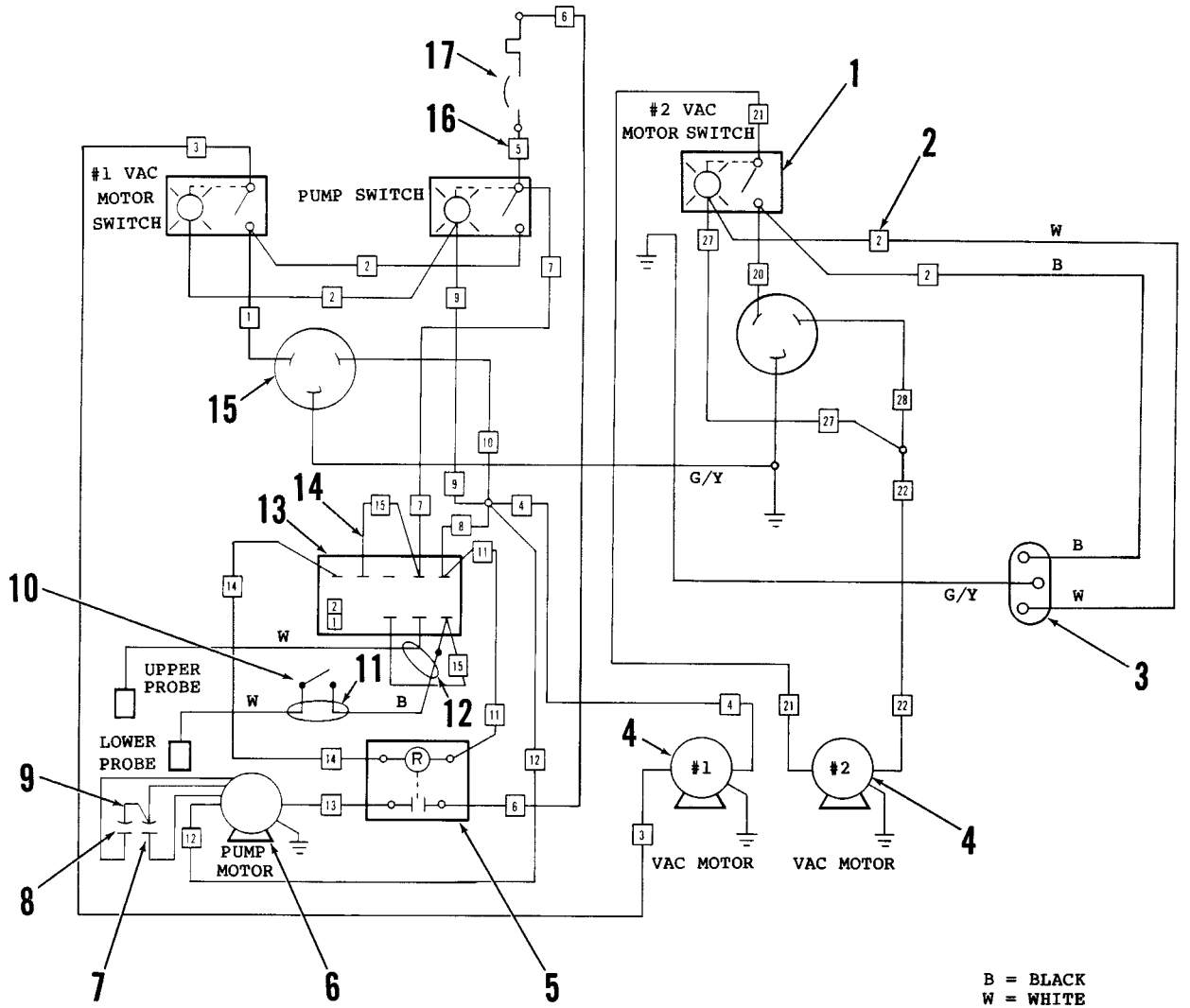


Item	Ref. No.	Qty	Description
1	56260061	1	Motor
2	56900042	4	Screw
3		1	Key
4	56002305	2	Nut
5	56900389	2	Bulkhead Union
6	56260081	1	Tube Assy.
7	56260082	1	Tube Assy.
8	56755882	1	Hose
9	56900026	2	Barbed Elbow
10	56260116	1	Flow Meter Gauge
11	56017900	1	Decal, Advance
12	56001894	4	Nut
13	56260091	1	Pump TSB 460
14	56260099	1	Hose
15	56260034	1	Hose Plug
16	56002562	1	Nut
17	56900021	2	Elbow
18	56260095	1	Hose
19	56219932	6	Hose Clamp
20	56900036	1	Elbow Barb
21	56260093	1	Unloader Valve
22	56900023	1	Female Elbow
23	56260112	1	Pressure Hose
24	56477613	1	Wire Tie
25	56900024	1	Male Elbow
26	56260068	1	Thermostat
27	56260101	1	Brass Bushing
28	56900040	1	O-Ring
29	56900034	3	Adapter Barb
30	56260169	1	Hose
31	56900069	1	Elbow Barb
32	56900025	1	Male Connector
33	56900022	2	Street Elbow
34	56260170	1	Chemical Injector
35	56260094	1	Manifold Block
36	56751687	1	Bushing
37	56260172	1	Ball Valve
38	56260171	1	Adapter Kit
39	56249930	1	Drain Pump
40	56900035	2	Barbed Elbow
41	56054146	2	Hose
42	56001954	4	Washer
43	56002519	4	Screw
44	56900029	1	Male Connector
45	56260138	1	Pipe & Tube Coupler
46	56900032	1	Coupler
47	56218510	1	Check Valve
48	56001948	3	Nut
49	56002141	3	Washer
50	56017902	1	Decal, Plumbing & Electrical
51	56260126	3	Coupler
52	56260174	2	Adapter Assy. (items 52, 53, 54)
	56260124	2	Nipple
53	56260140	2	Swivel Adapter
54	56740154	2	Washer
55	56260173	1	High Pressure Hose

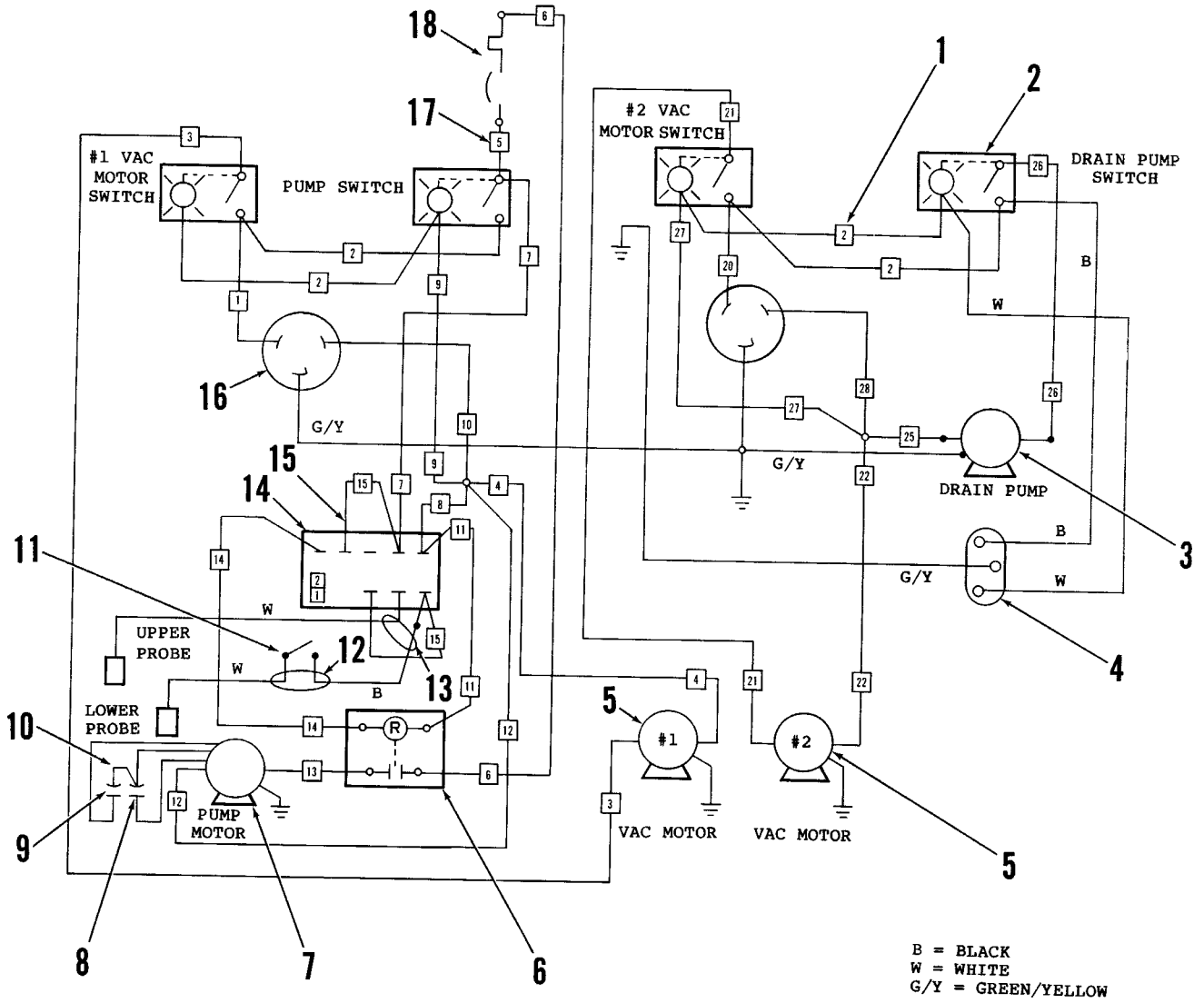


Item Ref. No. Qty Description

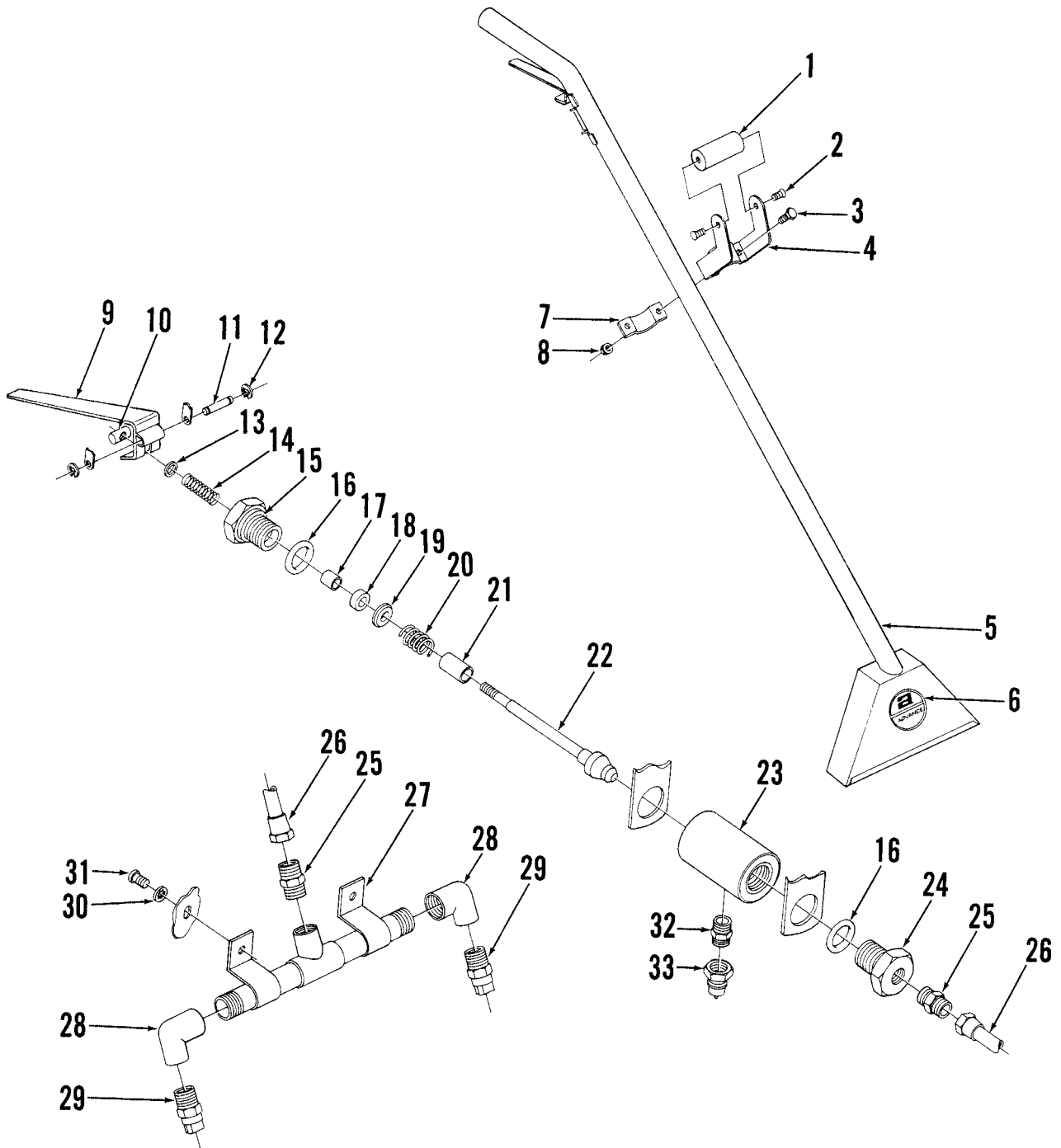
1	56249737	1	Bearing
2	56228051	1	Bearing
3	56260159	2	Brush Mechanism
4	56249753	1	Rotating Fan
5	56202592	1	Rotating Fan
6	56202770	1	Washer
7	56249755	1	Stationary Fan
8	56203916	2	Spacer
9	56372588	1	Rotating Fan
10	56260163	1	Stationary Fan
11	56249757	1	Shell
12	56202711	1	Washer
13	56203440	1	Nut



Item	Ref. No.	Qty	Description
1	56260064	3	Rocker Switch
2	56260076	4	Wire Assy. #2
3	56260062	1	Receptacle W/Cord
4	56260060	2	Vacuum Motor
5	56260066	1	Motor Relay
6	56260061	1	Pump Motor
7	56260070	1	Run Capacitor
8	56168442	1	Start Capacitor
9	56330876	1	Wire Assy.
10	56260068	1	Thermostat
11	56260075	1	Cord Assy.
12	56260079	1	Cord Assy.
13	56260069	1	Liquid Level Control
14	56260078	2	Wire Assy. #15
15	56260063	2	Flanged Inlet
16	56260077	1	Wire Assy. #5
17	56260065	1	Circuit Breaker
18	56260103	1	Wire Harness (includes wire nos: 1, 3, 4, 6-14, 20-22, 25-28)



Item	Ref. No.	Qty	Description
1	56260076	4	Wire Assy. #2
2	56260064	4	Rocker Switch
3	56249930	1	Drain Pump
4	56260062	1	Receptacle W/Cord
5	56260060	2	Vacuum Motor
6	56260066	1	Motor Relay
7	56260061	1	Pump Motor
8	56260070	1	Run Capacitor
9	56168442	1	Start Capacitor
10	56330876	1	Wire Assy.
11	56260068	1	Thermostat
12	56260075	1	Cord Assy.
13	56260079	1	Cord Assy.
14	56260069	1	Liquid Level Control
15	56260078	2	Wire Assy. #15
16	56260063	2	Flanged Inlet
17	56260077	1	Wire Assy. #5
18	56260065	1	Circuit Breaker
19	56260103	1	Wire Harness (includes wire nos: 1, 3, 4, 6-14, 20-22, 25-28)



Item	Ref. No.	Qty	Description
1	56260363	1	Handle
2		2	Screw 5/16-18 x .75
3		2	Screw 5/16-18 x .50
4	56260361	1	Bracket
5	56260370	1	Wand
6	56017019	1	Decal, Advance
7	56260362	1	Clamp
8		2	Whiz Nut 5/16-18
9	56260364	1	Lever
10	56260328	1	Handle Guide
11	56260324	1	Lever Pin
12	56321128	2	Retaining Ring
13		1	#6 Flat Washer
14	56260310	1	Spring
15	56260304	1	Rear Valve Plug
16	56900039	2	O-Ring
17	56260330	1	Bushing
18	56900037	1	Quad-Ring
19	56260306	1	Valve Washer
20	56260308	1	Spring
21	56260309	1	Valve Stop
22	56260399	1	Poppet & Stem Assy.
23	56260302	1	Valve Body
24	56260303	1	Front Valve Plug
25	56900025	2	Male Connector
26	56260366	1	Tube Assy.
27	56260367	1	Manifold Assy.
28	56111295	2	Brass Elbow
29	56260127	2	Spray Nozzle
30		4	#8 Shprf Washer
31	56900619	4	Screw
32	56900044	1	Nipple
33	56260124	1	Nipple



Nilfisk-Advance, Inc.
14600 21st Avenue North
Plymouth, MN, 55447-3408
www.nilfisk-advance.com
Phone: 800-989-2235
Fax: 800-989-6566
©2000 Nilfisk-Advance, Inc.,
Plymouth, MN 55447-3408
Printed in the U.S.A.