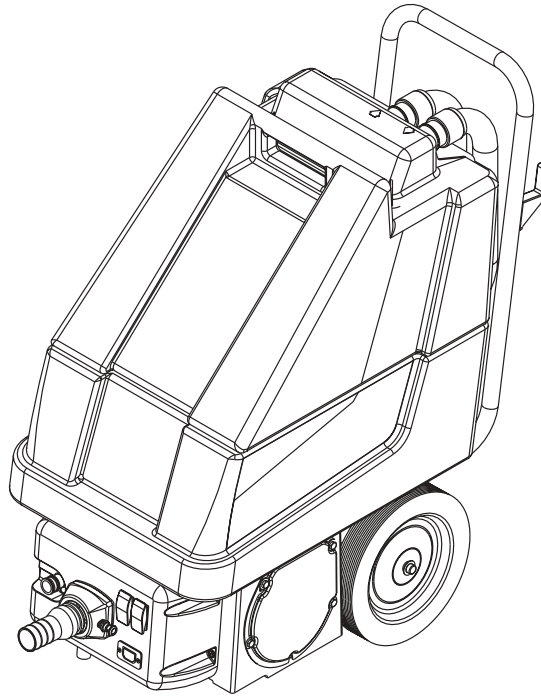


AquaTron™ 4 / 8 / 11



PARTS LIST

**Advance MODELS 56250191, 56250192, 56250193,
56250205, 56250207**

This parts list is for machines after serial number 1090674



Advance

by Nilfisk-Advance

10/95 revised 10/02 Form Number 56042303

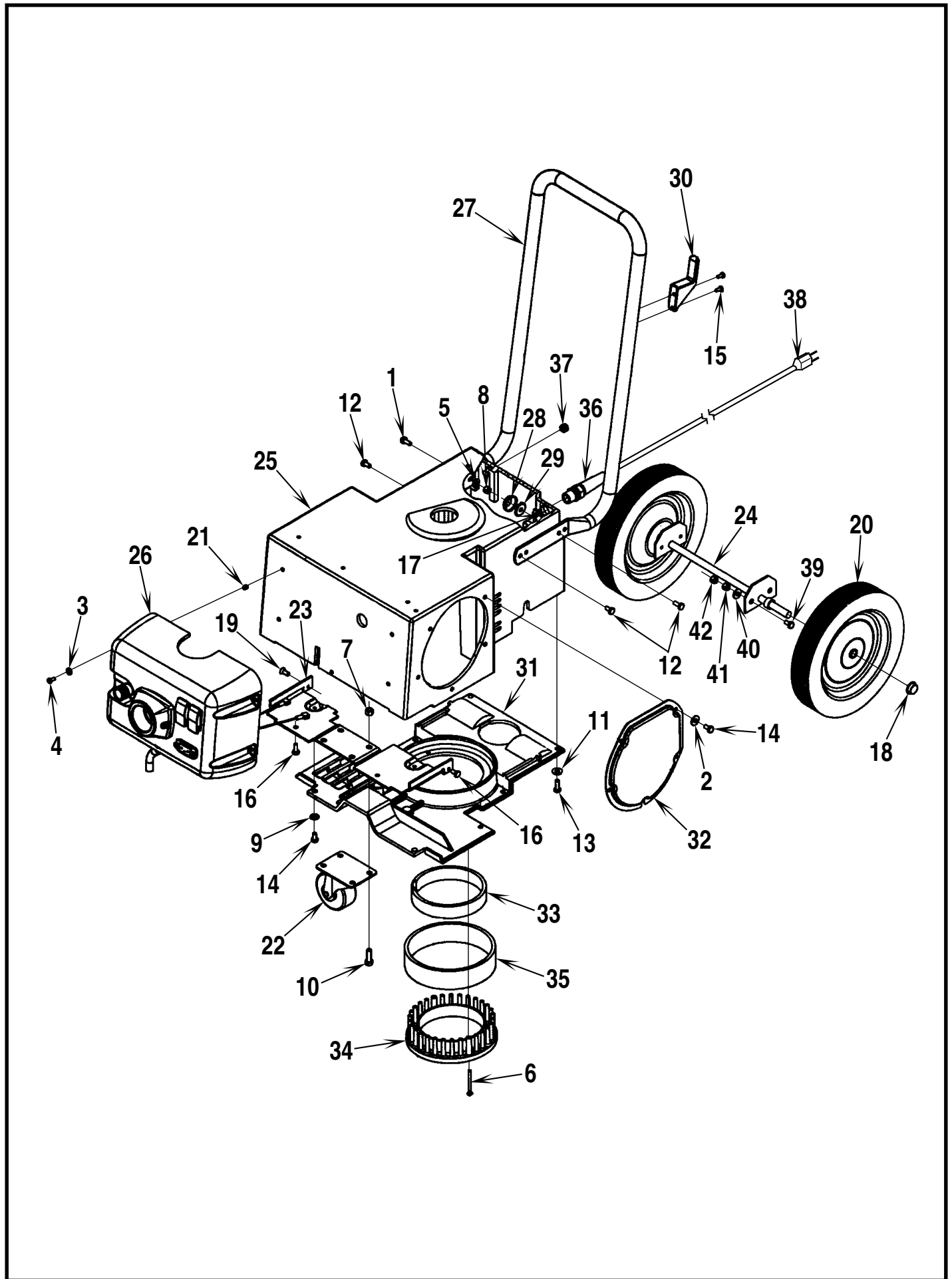
TABLE OF CONTENTS

<u>DESCRIPTION</u>	<u>PAGE</u>
Chassis System	1-2
Console Assembly	3-4
Solution System	5-6
Recovery System	7-8
Decal System	9-10
Wiring Diagrams	11-12

WHEN ORDERING PARTS

- * Use the 8 digit numbers from the "Ref. No." columns in this parts list.
- * Specify the model and serial number of the machine.
- * Use the space below to record the model and serial number for future reference.

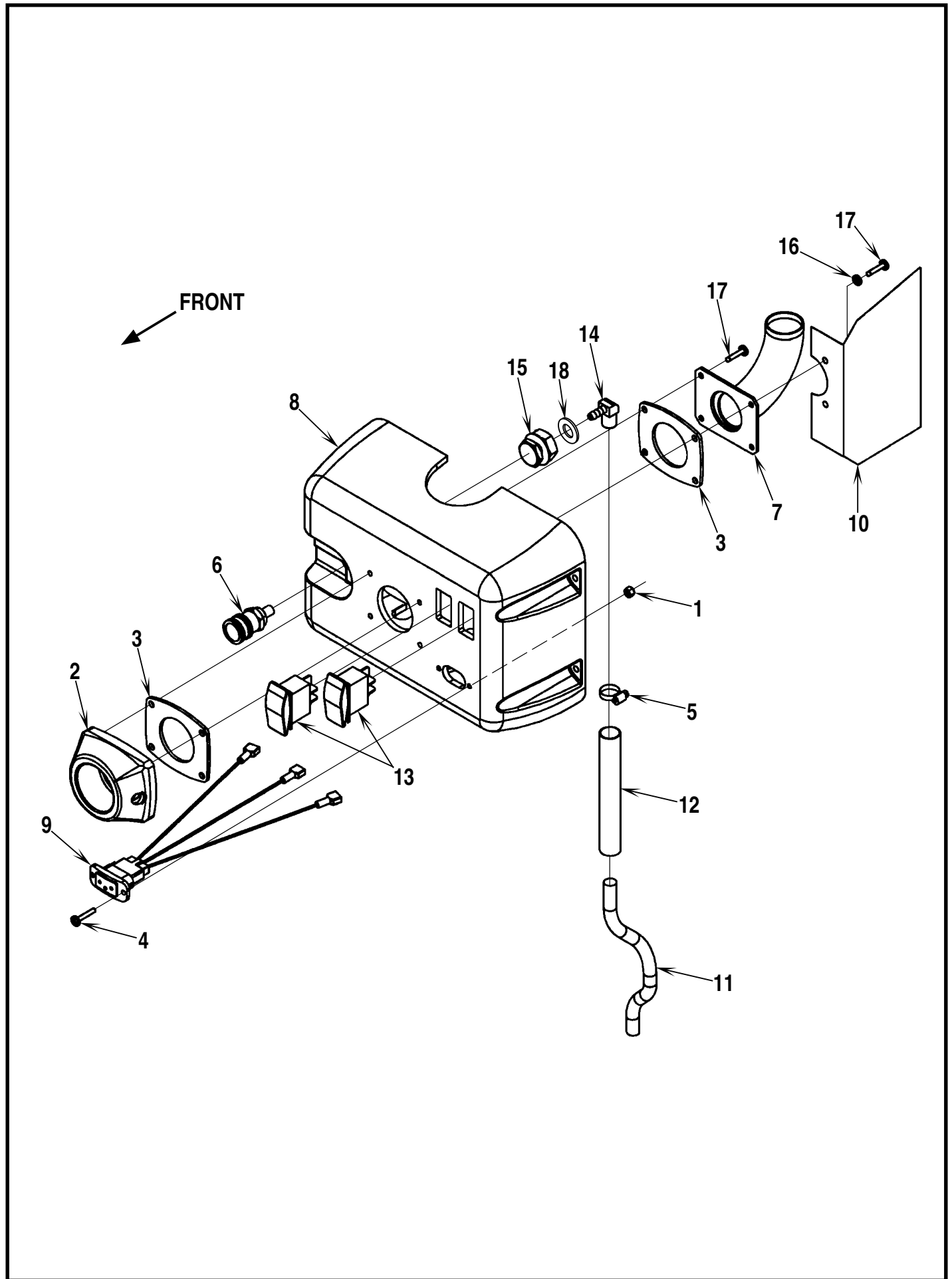
Model _____ Serial No. _____



CHASSIS SYSTEM

Item	Ref. No.	Qty	Description
1	56002155	1	Scr, Hex Hd 1/4-20 x .75
2	56001906	4	Wsh, Flt STD 1/4
3	56001954	5	Wsh, Flt SAE #10
4	56001993	5	Scr, Pan Phil 10-24 x .50
5	56002098	1	Wsh, Flt SAE 1/4
6	56002171	2	Scr, Pan Phil 10-24 x 2.00
7	56002701	4	Nut, Hex Nyl Loc 5/16-18
8	56002840	1	Nut, Hex Nyl Loc-Thin 1/4-20
9	56002859	2	Wsh, Flt SAE SS 1/4
10	56002667	4	Scr, Hex Hd 5/16-18 x .75
11	56002914	6	Wsh, Flt STD SS 1/4
12	56003039	3	Scr, Hex Hd Loc 1/4-20 x .50
13	56002948	6	Scr, Hex Hd Loc 1/4-20 x .75
14	56003039	6	Scr, Hex Hd Loc 1/4-20 x .50
15	56009029	2	Scr, Pan Phil Thd Form 10-24 x .50
16	56009033	3	Scr, Hex Thd Form 1/4-20 x .50
17	56009095	1	Nut, Conduit Loc 1/2-14
18	56009097	2	Nut, Push Cap 1/2
19	56009137	1	Scr, Flt Phil Thd Form 1/4-20 x .62
20	56201774	2	Wheel
21	56249946	5	Insert, Brass 10-24
22	56250143	1	Caster
23	56250144	1	Mount, Caster
24	56250145	1	Axle, Weld't
25	56250148	1	Chassis
26	56250163	1	Console Assembly (refer to pages 3 & 4)
27	56250171	1	Handle
28	56250211	1	Cap
29	56250267	1	Washer
30	56262518	1	Hook, Cord
31	56264002	1	Cover, Bottom
32	56264072	1	Guard, Belt
33	56264327	1	Foam, Acoustical
34	56264328	1	Cap
35	56264329	1	Filter, Cooling Air
36	56323136	1	Strain Relief
37	56323560	1	Plug, Cap
38	56262563	1	Power Cord (120V)
	56250203	1	Power Cord (100V)
39	56001900	1	Scr, Flt Phil 10-24 x .75
40	56009011	1	Wsh, SHPRF #10
41	56009009	1	Nut, Hex Machine #10-24
42	56002832	1	Nut, Hex Nyl Loc-Thin #10-24
**	56250185	A/R	PowerHead™ 12 W/Adapter Kit

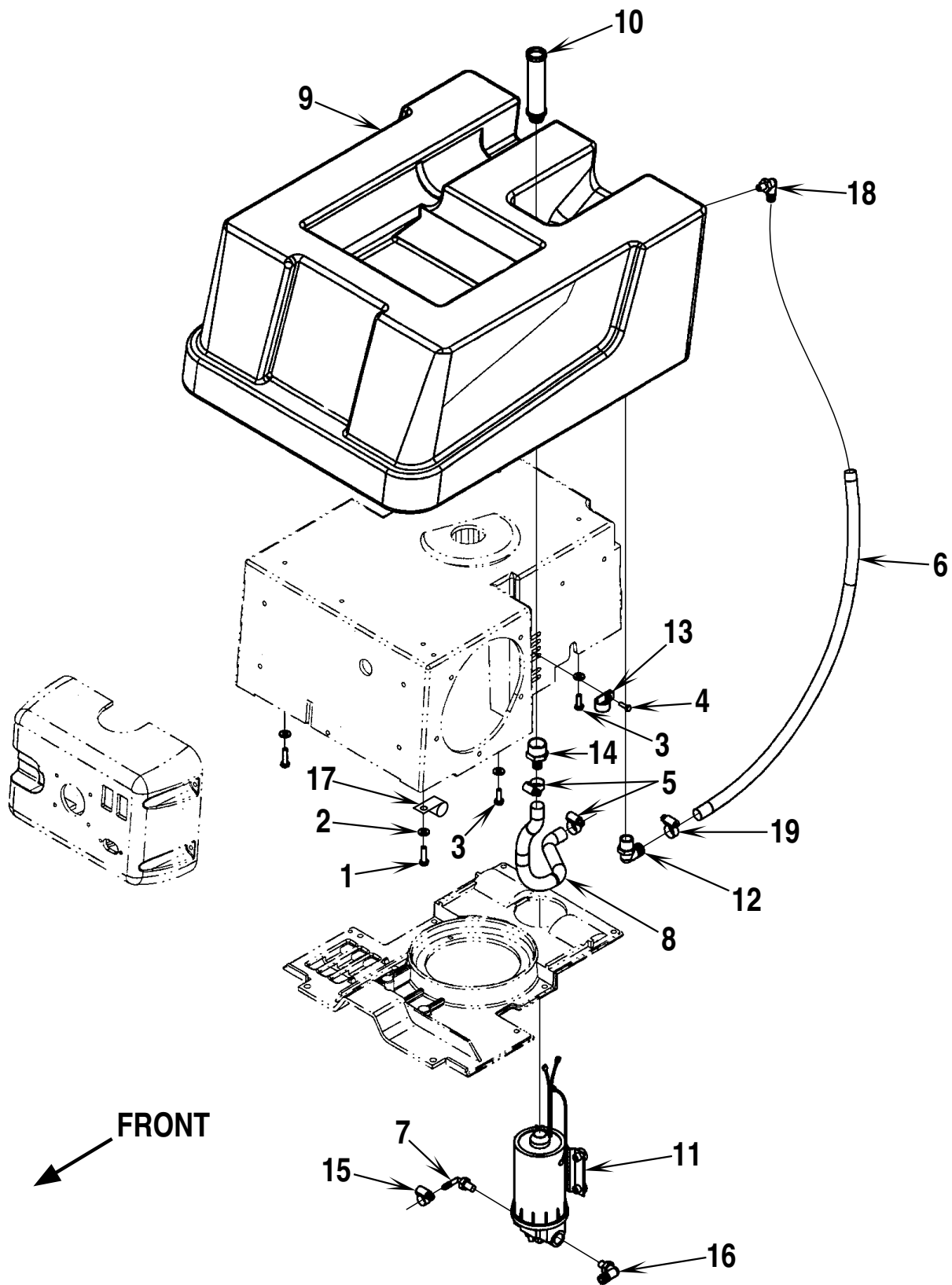
** = Optional



CONSOLE ASSEMBLY

Item	Ref. No.	Qty	Description
1	56009148	2	Nut, Hex Machine 8-32
2	56201377	1	Connector
*	56365548	1	Lock Assy (used with item #2)
3	56201390	2	Gasket
4	56209828	2	Scr, Pan Hd Plastic Machine 8-32 x 1.00
5	56219932	1	Hose Clamp
6	56249568	1	Coupling
7	56250157	1	Tube Weld't
8	56250169	1	Console
9	56250199	1	Receptacle Assembly
10	56250209	1	Mylar Insulator
11	56250213	1	Hose
12	56324338	1	Tubing, Insulator
13	56393312	2	Switch, Rocker
14	56470138	1	Barb, Elbow 90°
15	56745543	1	Adaptor, Blk Hd 1/4
16	56001954	2	Wsh, Flt SAE #10
17	56009212	4	Scr, Pan Phil Type B 10-16 x .88
18	56002141	1	Wsh, Flt SAE 3/4

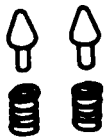
* = Not Shown



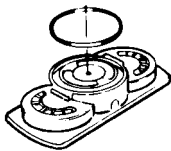
SOLUTION SYSTEM

Item	Ref. No.	Qty	Description
1	56002093	2	Scr, Hex Hd 1/4-20 x 1.00
2	56002098	4	Wsh, Flt SAE 1/4
3	56002155	2	Scr, Hex Hd 1/4-20 x .75
4	56002926	1	Scr, Hex Patch Loc 10-24 x .38
5	56219932	2	Clamp, Hose SAE #6
6	56264462	1	Hose, Solution Gauge
7	56250177	1	Barb, Elbow 90° 1/4 x 3/8 NPT
8	56261263	1	Hose
9	56264081	1	Tank, Solution 11 Gal
	56264007	1	Tank, Solution 8 Gal
	56264083	1	Tank, Solution 4 Gal
10	56264137	1	Screen
11	56264305	1	Pump Note 1
12	56456802	1	Barb, Elbow 90° 11/16 x 3/4 NPT
13	56328064	1	P-Clamp
14	56393385	1	Barb, Adaptor 1/2 x 3/4 NPT
15	56756364	1	Clamp, Hose SAE #4
16	56900069	1	Barb, Elbow 90° 1/2 x 3/8 NPT
17	56486112	1	P-Clamp
18	56264442	1	Barb, Elbow 90° 3/4 x 3/8 NPT
19	56112771	1	Clamp, Hose SAE #10

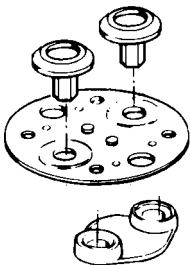
Note 1: The repair kits listed below are available for pump PN 56264305.



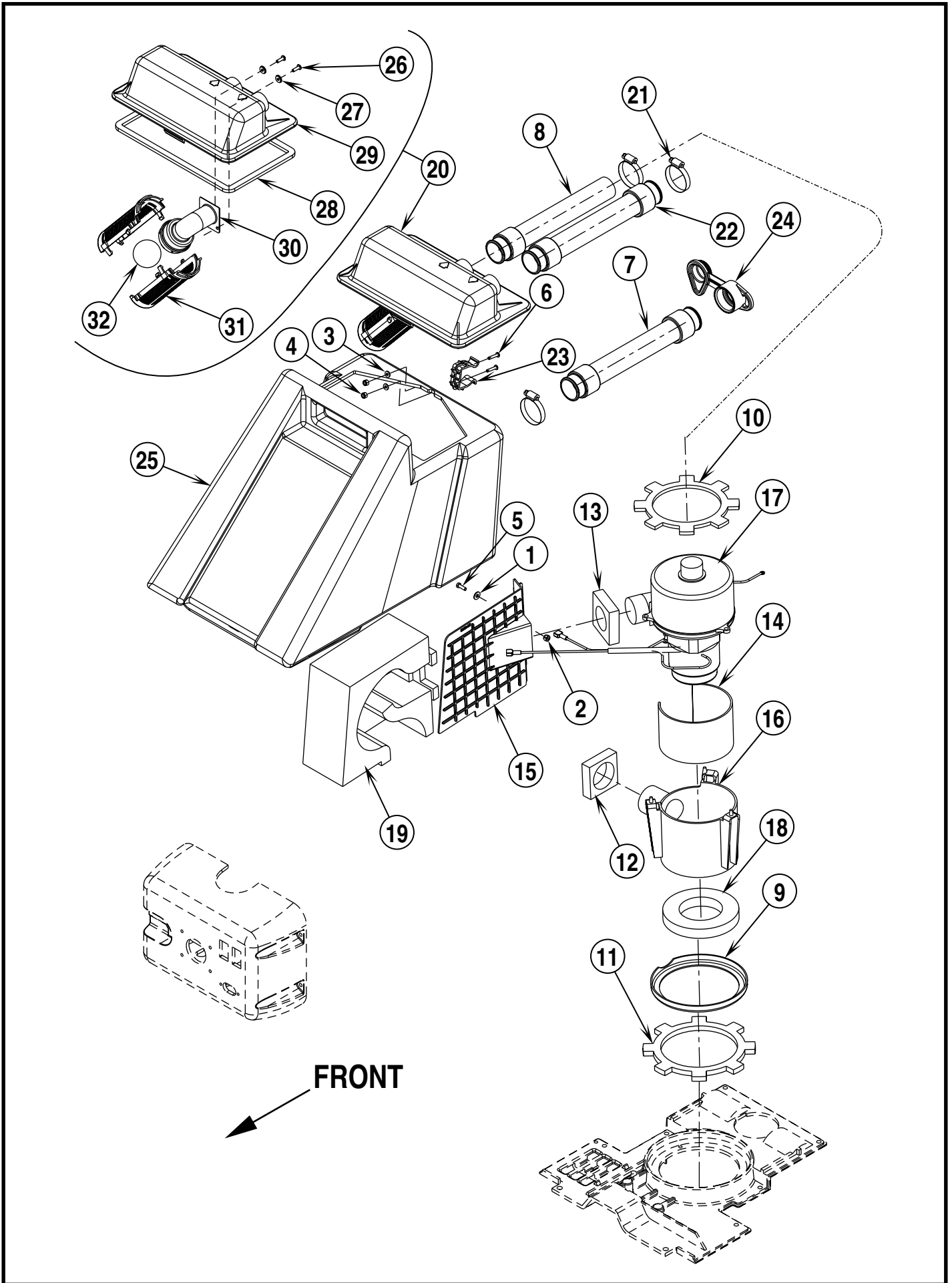
By-Pass Kit: PN 56264436



Check Valve Kit: PN 56264435



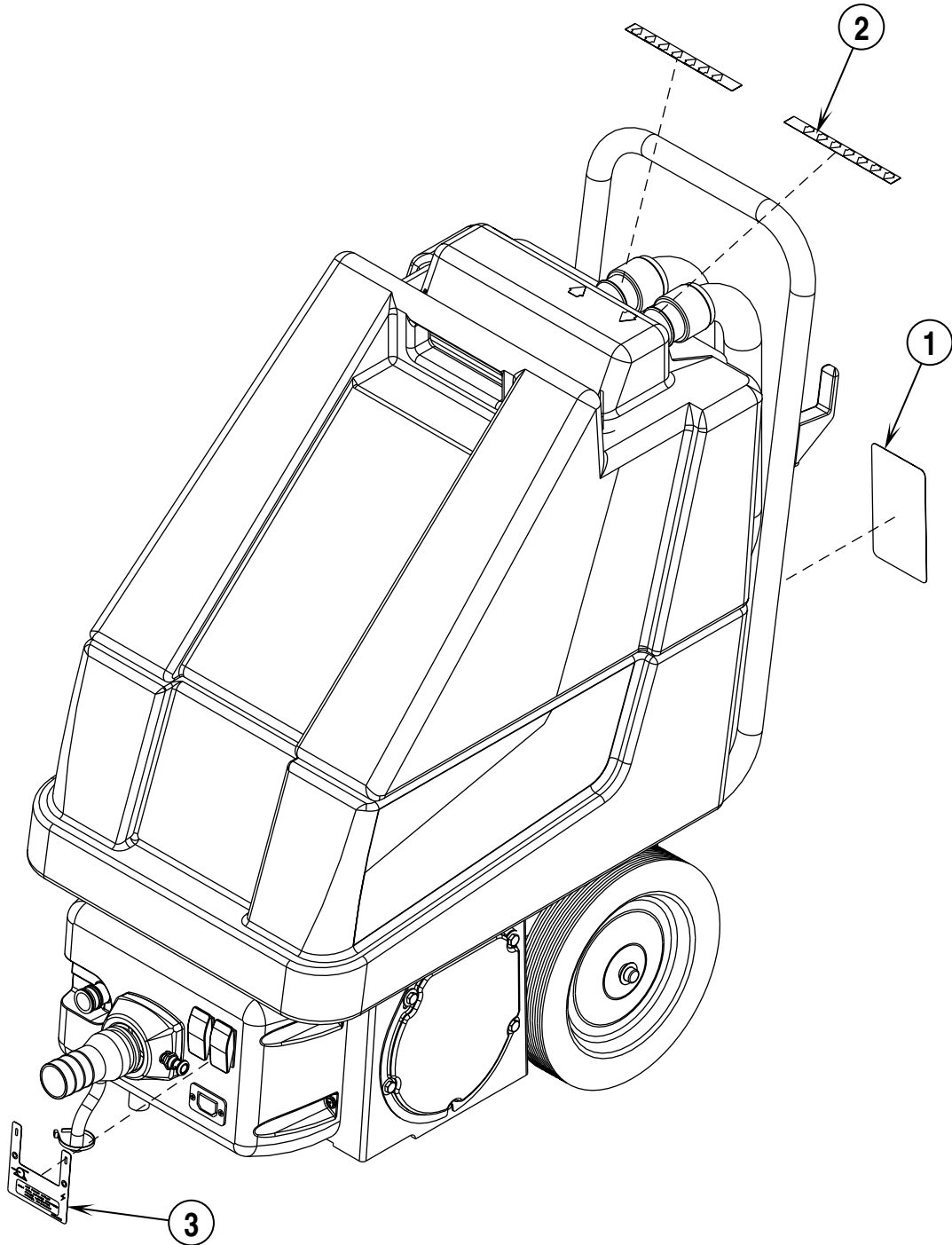
Diaphragm Kit: PN 56249834



RECOVERY SYSTEM

Item	Ref. No.	Qty	Description
1	56002053	1	Wsh, Flt STD #10
2	56002836	1	Nut, Hex Nyl Loc SS 10-24
3	56002875	2	Wsh, Flt SAE SS #8
4	56002877	2	Nut, Hex Nyl Loc SS 8-32
5	56009135	1	Scr, Hex Thd Form 10-24 x .62
6	56009186	2	Scr, Pan Phil SS 8-32 x .88
7	56262143	1	Hose Assembly
8	56262147	1	Hose Assembly
9	56264079	1	Ring, Vac Motor
10	56264103	1	Gasket, Vacuum Motor
11	56264105	1	Gasket, Vacuum Motor
12	56264114	1	Gasket, Vac
13	56264116	1	Gasket, Vac Outlet
14	56264233	1	Foam, Acoustical
15	56264282	1	Wall, Muffler
16	56264283	1	Housing, Vacuum Motor TSBUS2002-826
17	56264285	1	Vac Motor Assembly (120V) TSBUS2002-826
	56250201	1	Vac Motor Assembly (100V) TSBUS2002-826
18	56264343	1	Ring
19	56264450	1	Muffler Assy
20	56324045	1	Cover Assembly
21	56329145	3	Clamp, Hose SAE #24
22	56392170	1	Hose Assembly
23	56392171	1	Clamp, Plastic
24	56393772	1	Plug, Hose
25	56264085	1	Tank, Recovery 11 Gal
	56249790	1	Tank, Recovery 8 Gal
	56249792	1	Tank, Recovery 4 Gal
26	56003633	2	Scr, Pan Phil SS Type B 10-16 x .50
27	56209261	2	Washer, Sealing 9/16
28	56262576	1	Gasket
29	56324046	1	Cover, Tank
30	56324298	1	Elbow, Float
31	56324497	2	Cage, Float
32	56391690	1	Ball, Float

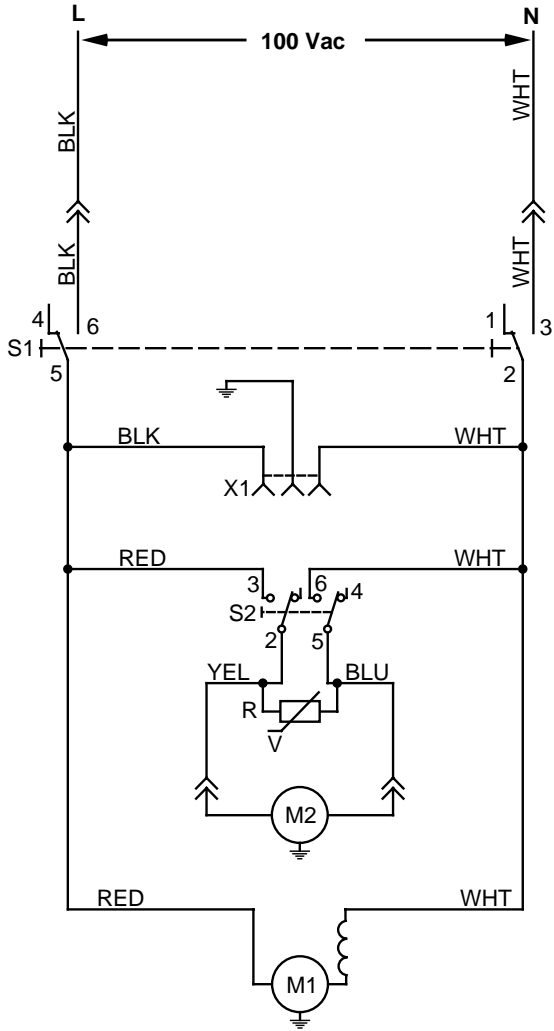
* = Not Shown



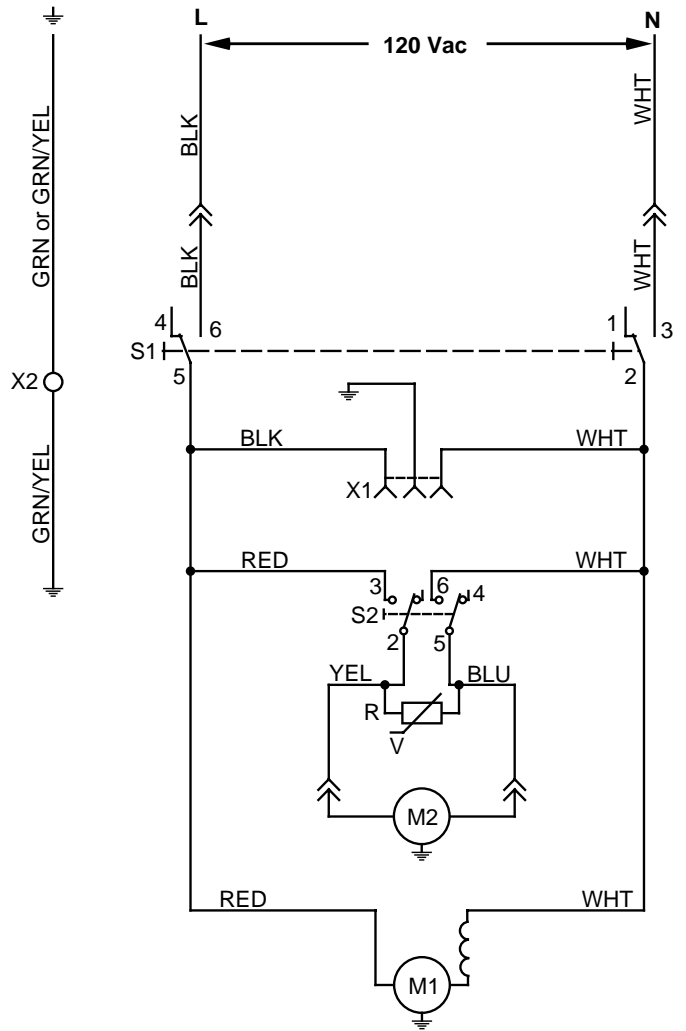
DECAL SYSTEM

Item	Ref. No.	Qty	Description
1	56014781	1	Decal, Warning
2	56015655	2	Decal, Direction
3	56015823	1	Decal, Switch (120V only)
	56015815	1	Decal, Switch (100V only)

100V Wiring Diagram



120V Wiring Diagram



WIRING DIAGRAM - 100Vac

Item	Ref. No.	Qty	Description
S1	56393312	1	Main switch
S2	56393312	1	Vacuum Switch
M1	56250201	1	Vacuum Motor TSBUS2002-826
M2	56264305	1	Pump Motor
X1	56250199	1	Receptacle
*	56250203	1	Cord Set
*	56250198	1	Wiring Harness (class 2)
* = Not Shown			

WIRING DIAGRAM - 120Vac

Item	Ref. No.	Qty	Description
S1	56393312	1	Main switch
S2	56393312	1	Vacuum Switch
M1	56264285	1	Vacuum Motor TSBUS2002-826
M2	56264305	1	Pump Motor
X1	56250199	1	Receptacle
*	56262563	1	Cord Set
*	56250197	1	Wiring Harness (class 1)
* = Not Shown			



Nilfisk-Advance, Inc.
14600 21st Avenue North
Plymouth, MN, 55447-3408
www.nilfisk-advance.com
Phone: 800-989-2235
Fax: 800-989-6566
©2002 Nilfisk-Advance, Inc.,
Plymouth, MN 55447-3408
Printed in the U.S.A.