

# AQUATRON

MODELS A80XL, A80XL-5

THIS PARTS LIST IS FOR MACHINES  
AFTER SERIAL NUMBER 209394.

# PARTS LIST



**ADVANCE**  
MACHINE COMPANY

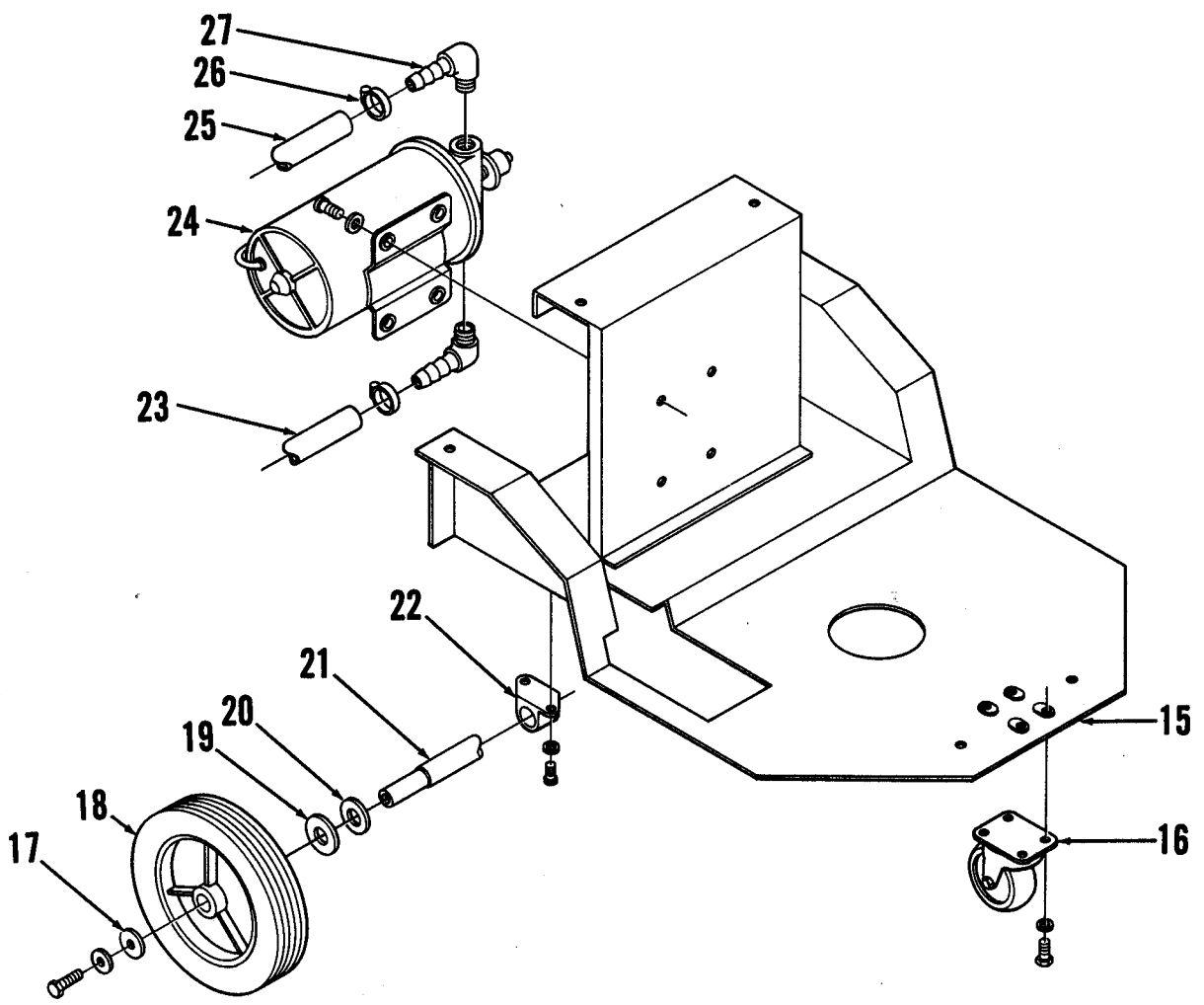
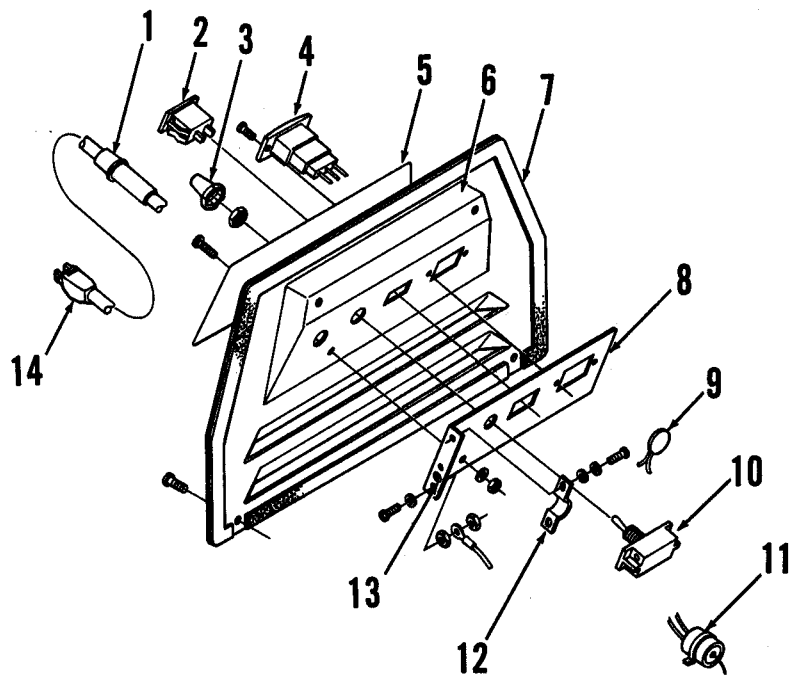
INTERNATIONAL HEADQUARTERS, Plymouth, MN 55447-3408  
EUROPE, Llantrisant, Pontyclun, Mid-Glamorgan CF7 8YZ Wales, United Kingdom  
CANADA, 1295 Crestlawn Drive, Mississauga, Ontario L4W 1A9

FORM NUMBER 042178 1/88



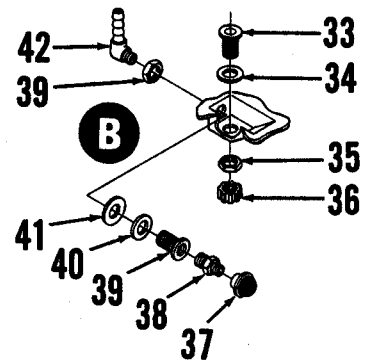
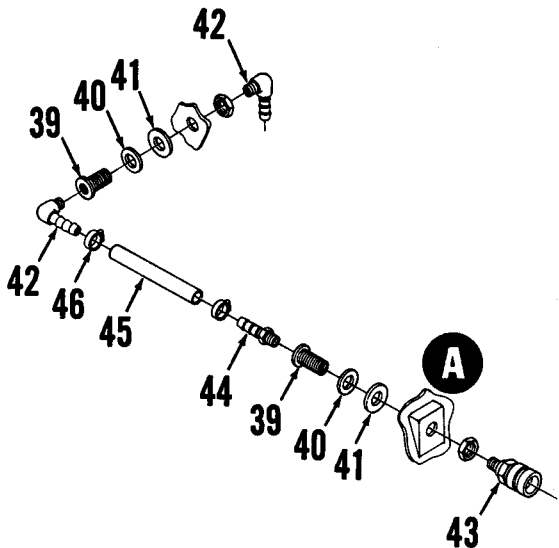
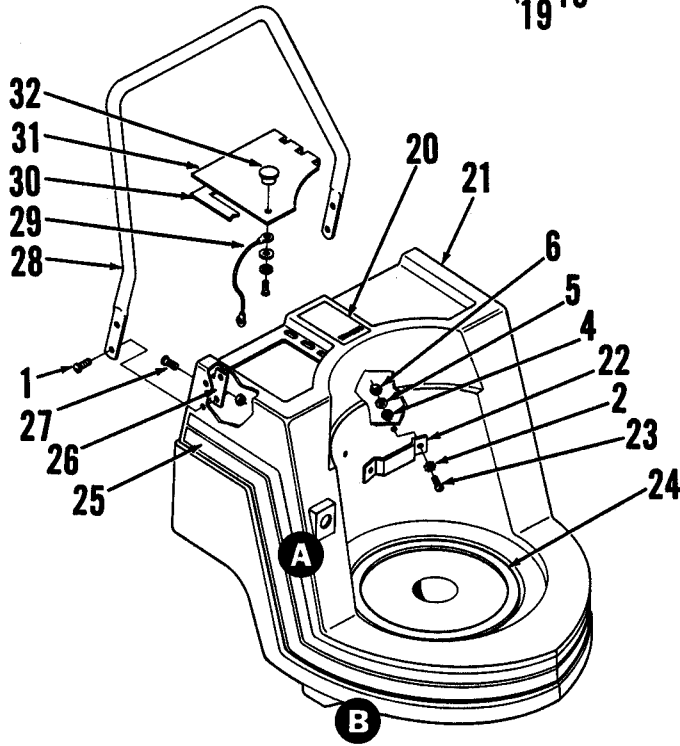
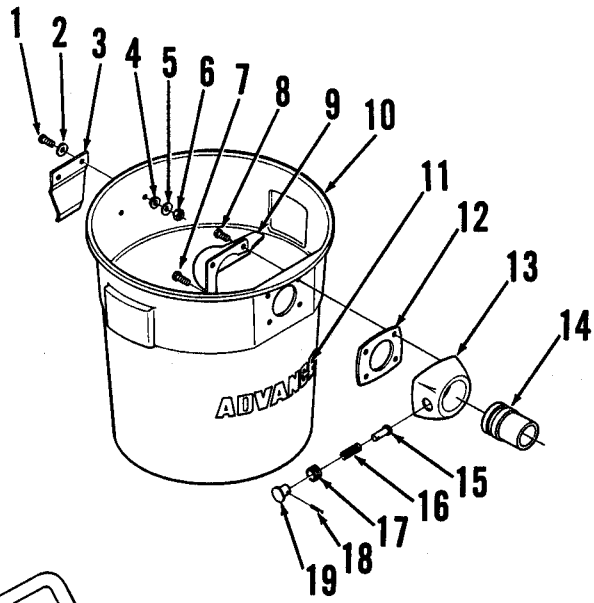
## INDEX FOR FORM NUMBER 042178

<b>Description</b>	<b>Location</b>	<b>Page</b>
Control Panel, Chassis & Pump	A12	1
Motor, Vacuum	B9	11
Optional Floor Tool	B7	9
Replacement Pump Parts	B11	13
Tanks	B1	3
Vacuum Head	B3	5
Wiring Diagram	B5	7



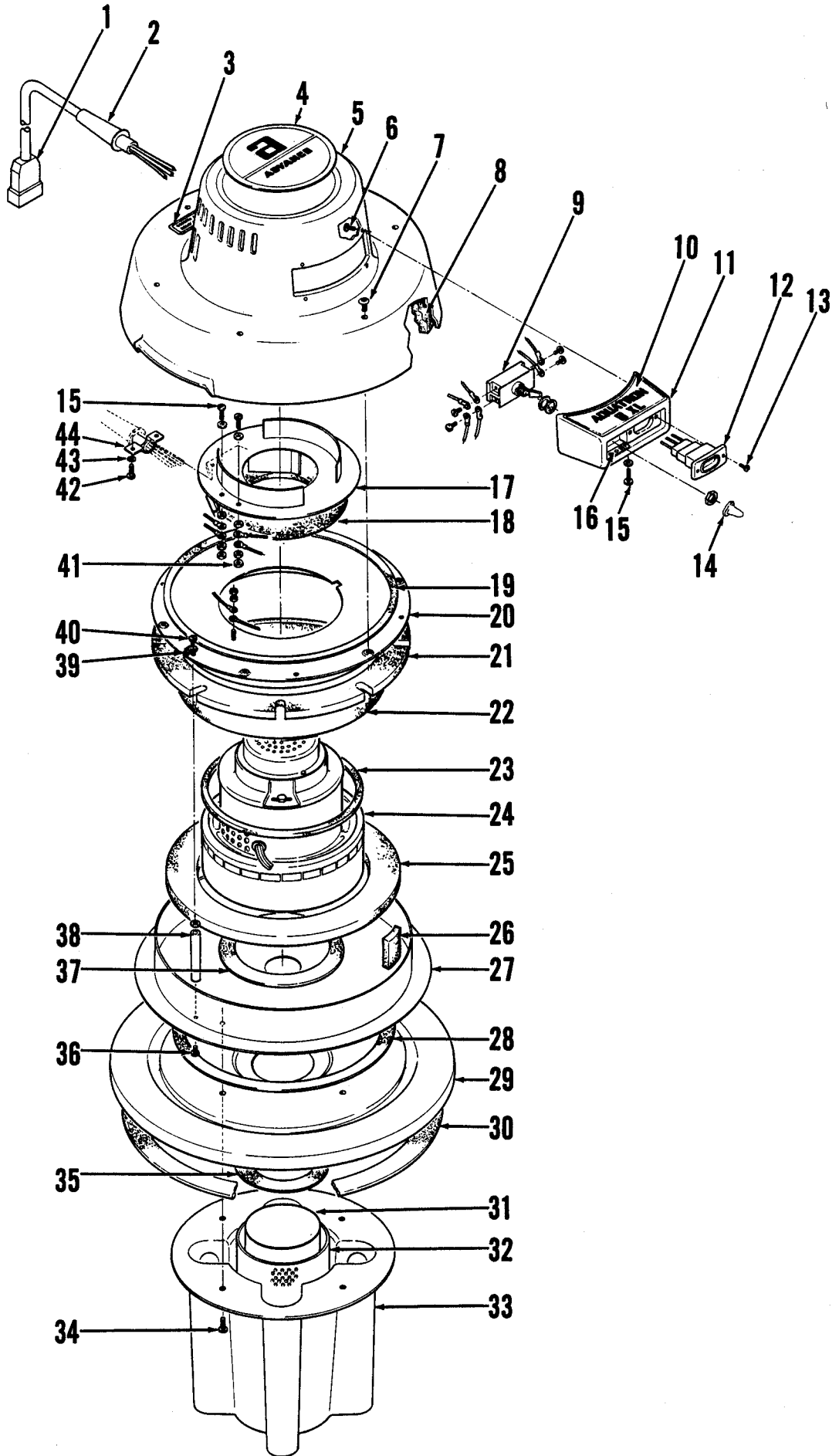
## CHASSIS AND CONTROL PANEL

Item	Part No.	Qty	Description
1	301396	1	Strain Relief
2	249527	1	Indicator Light 115V
	249529	1	Indicator Light 230V
3	756514	1	Boot
4	250228	1	Receptacle
5	017806	1	Decal, Control Panel
6	249522	1	Control Panel
	249630	1	Panel Assembly 115V
	249636	1	Panel Assembly 230V
7	200754	1	Gasket 47"
8	249632	1	Bracket
9	250168	1	Varistor Assembly 230V
10	207075	1	Toggle Switch 115V
	301636	1	Toggle Switch 230V
11	249538	1	RFI Filter 230V
12	300542	1	Clamp
13	014119	1	Ground Decal
14	249638	1	Cord Set 115V
	209769	1	Cord Set 230V
15	249542	1	Chassis
	249540	1	Chassis Assembly 115V
	249554	1	Chassis Assembly 230V
16	201693	1	Caster
17	151114	2	Washer
18	210148	2	Wheel, gray non-marking
19	153373	2	Spring Washer
20	155411	2	Washer
21	249552	1	Axle
22	205827	1	Right Axle Block
	205828	1	Left Axle Block
23	249920	1	Hose
24	249930	1	Pump 115V
	249932	1	Pump 230V
25	249920	1	Hose
26	219932	4	Hose Clamp
27	244983	2	Barb



## TANK ASSEMBLIES

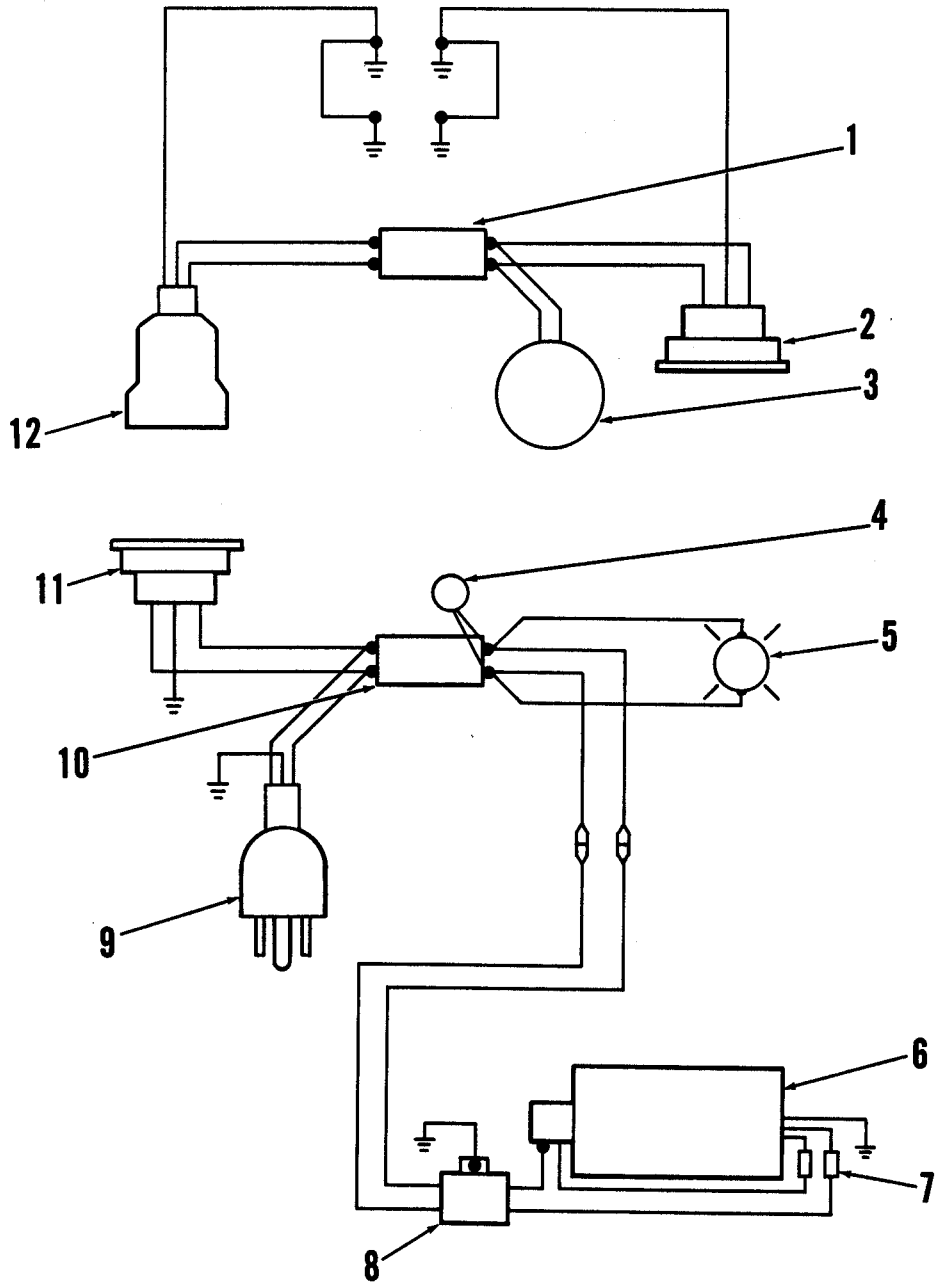
Item	Part No.	Qty	Description
1	249584	7	Screw
2	001803	4	Washer
3	249582	1	Bracket
4	204218	4	Washer
5	249581	4	Washer
6	002378	6	Nut
7	209519	1	Screw
8	209521	3	Screw
9	201394	1	Deflector
10	249507	1	Recovery Tank
	249580	1	Recovery Tank Assembly
11	016519	1	Decal, Advance
12	201390	1	Gasket
13	201377	1	Connector
	201386	1	Connector Assembly
14	201820	1	Adapter
15	201391	1	Pin
16	201448	1	Spring
17	201383	1	Socket
18	201472	1	Pin
19	201405	1	Knob
20	014828	1	Decal, Warning
21	249509	1	Solution Tank
	249598	1	Solution Tank Assembly
22	249576	1	Bracket
23	576518	2	Screw
24	200915	1	Gasket
25	017800	1	Decal, Right Stripe
	017802	1	Decal, Left Stripe
	017804	2	Decal, Stripe
26	249566	2	Nut Plate
27	576520	1	Screw
28	249562	1	Handle
29	325240	1	Wire Rope
30	200754	1	Gasket
31	249652	1	Cover
32	151017	1	Knob
33	249973	1	Connector
34	249977	1	Gasket
35	249971	1	Nut
36	255076	1	Cap
	740154	1	Rubber Washer
37	750857	1	Strainer
38	249570	1	Nipple
39	745543	3	Adapter
40	249625	3	Restrainer
41	249975	3	Gasket
42	756739	3	Barb
43	249568	1	Coupler
44	155640	1	Barb
45	249920	1	Tube 9"
46	219932	2	Hose Clamp



## VACUUM HEAD ASSEMBLY

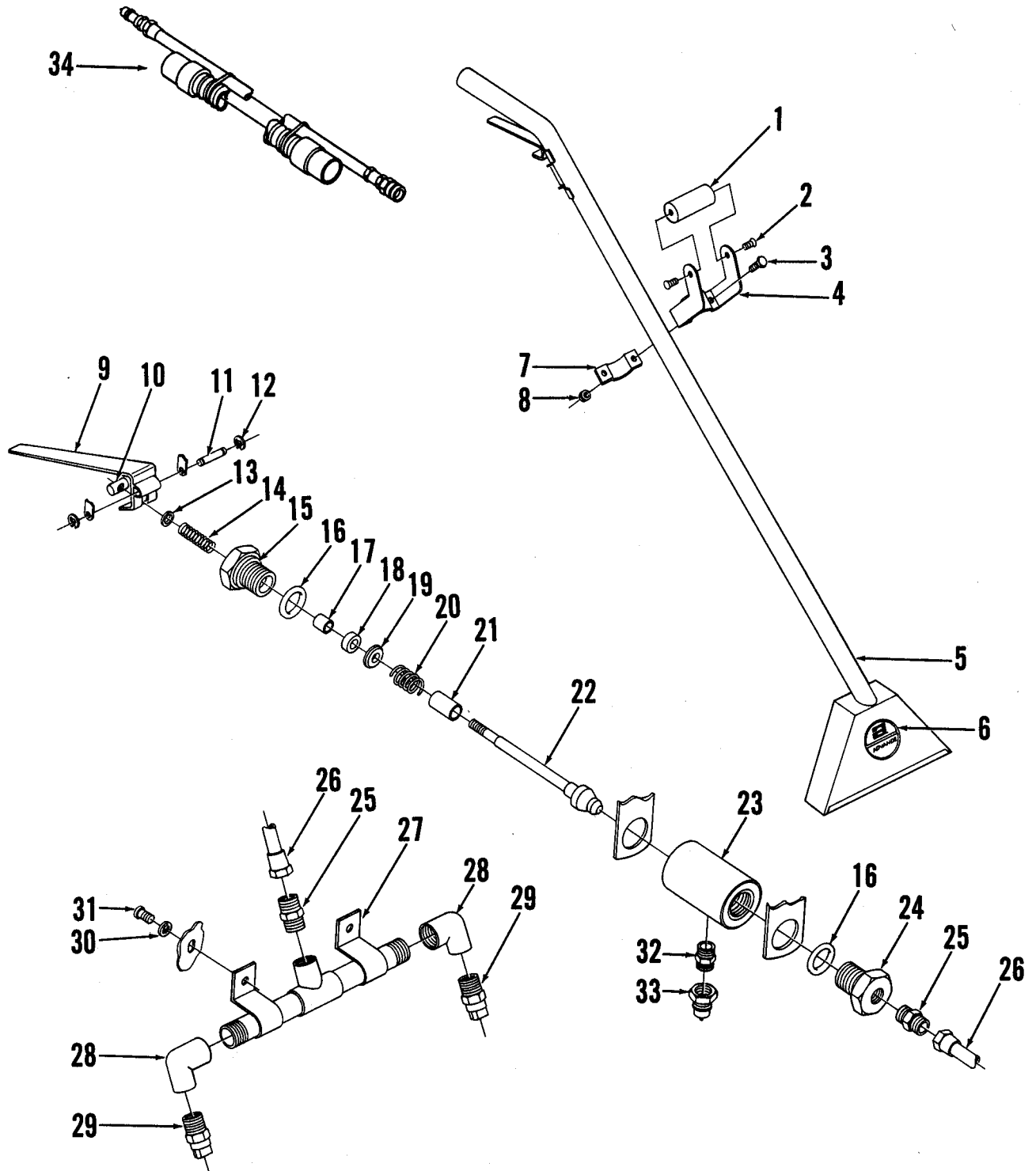
Item	Part No.	Qty	Description
	249645	1	Vacuum Head Assembly 115V
	249496	1	Vacuum Head Assembly 230V
1	250224	1	Plug Assembly
2	301396	1	Strain Relief
3	015074	1	Decal, Lint Screen
4	015076	1	Decal, Advance
5	249573	1	Shroud
6	249680	4	Screw
7	570220	6	Screw
8	249537	2	Foam
9	200340	1	Toggle Switch 115V
	301636	1	Toggle Switch 230V
10	017813	1	Decal, Aquatron
11	249602	1	Console
12	209826	1	Receptacle
13	570514	2	Screw
14	756514	1	Boot
15	002124	3	Screw
16	023224	1	Decal, On-Off
17	249612	1	Ring
18	249533	1	Foam
19	249648	1	Gasket
20	249622	1	Mounting Ring
21	205653	1	Foam
22	249535	1	Foam
23	249656	1	Gasket
24	249502	1	Vacuum Motor 115V
	249497	1	Vacuum Motor 230V
25	249531	1	Foam
26	205652	6	Foam
27	249577	1	Baffle Ring
28	249644	1	Gasket
29	249515	1	Base Cover
30	249640	1	Gasket
31	209571	1	Float
32	209566	1	Shield
33	249604	1	Float Housing
34	209485	4	Screw
35	249646	1	Gasket
36	209488	12	Screw
37	249642	1	Gasket
38	249558	6	Spacer
39	249559	2	Tab
40	002519	2	Screw
41	002349	11	Nut
42	002003	2	Screw
43	002011	2	Washer
44	300542	1	Clamp





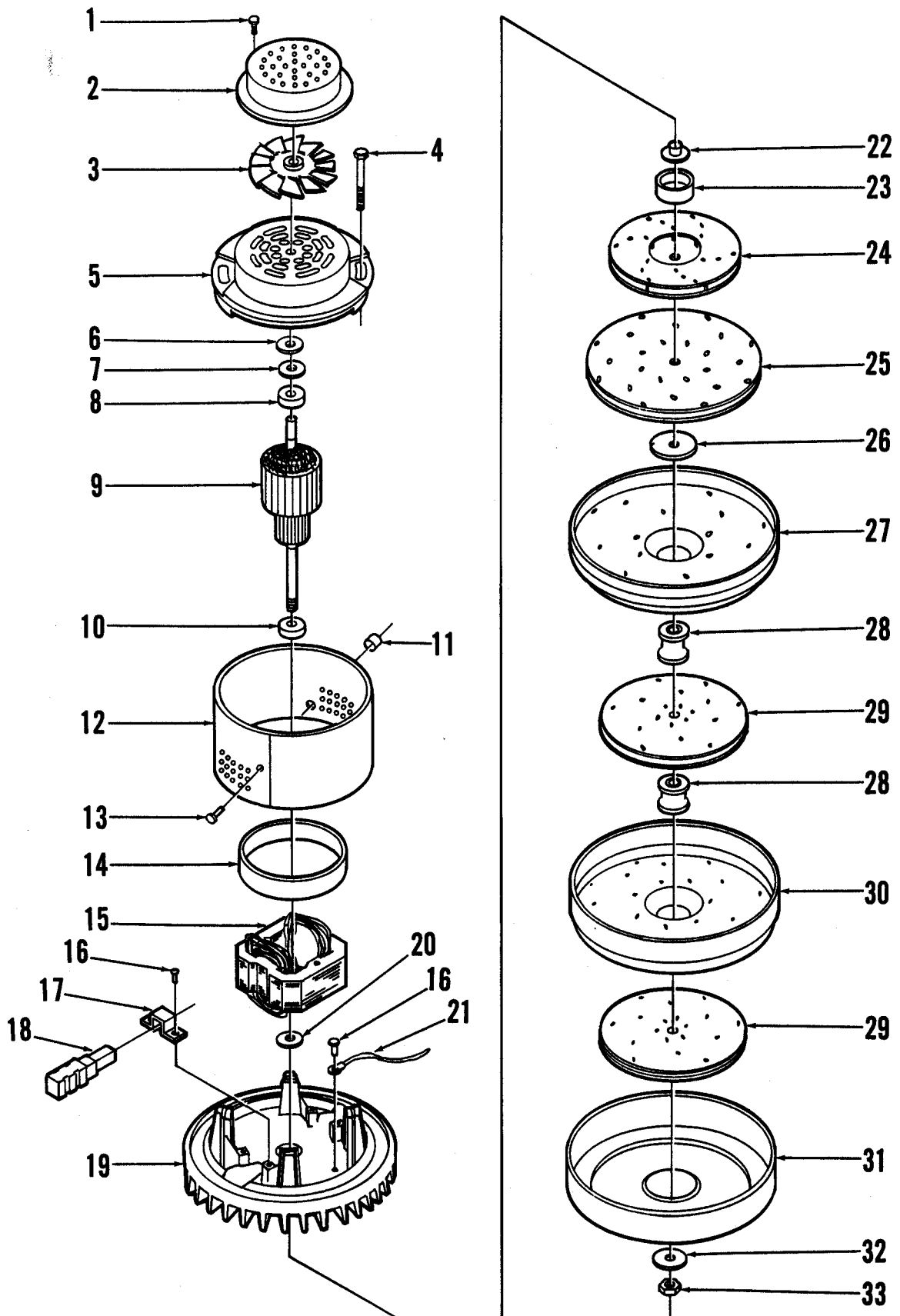
# WIRING DIAGRAM

Item	Part No.	Qty	Description
1	200340	1	Toggle Switch 115V
	301636	1	Toggle Switch 230V
2	209826	1	Receptacle
3	249502	1	Vacuum Motor 115V
	249497	1	Vacuum Motor 230V
4	250168	1	Varistor Assembly 230V
5	249527	1	Indicator Light 115V
	249529	1	Indicator Light 230V
6	249930	1	Pump 115V
	249932	1	Pump 230V
7	249534	2	Choke Coil 230V
8	249538	1	RFI Filter 230V
9	249638	1	Cord Set 115V
	209769	1	Cord Set 230V
10	207075	1	Toggle Switch 115V
	301636	1	Toggle Switch 230V
11	250228	1	Receptacle
12	250224	1	Plug Assembly



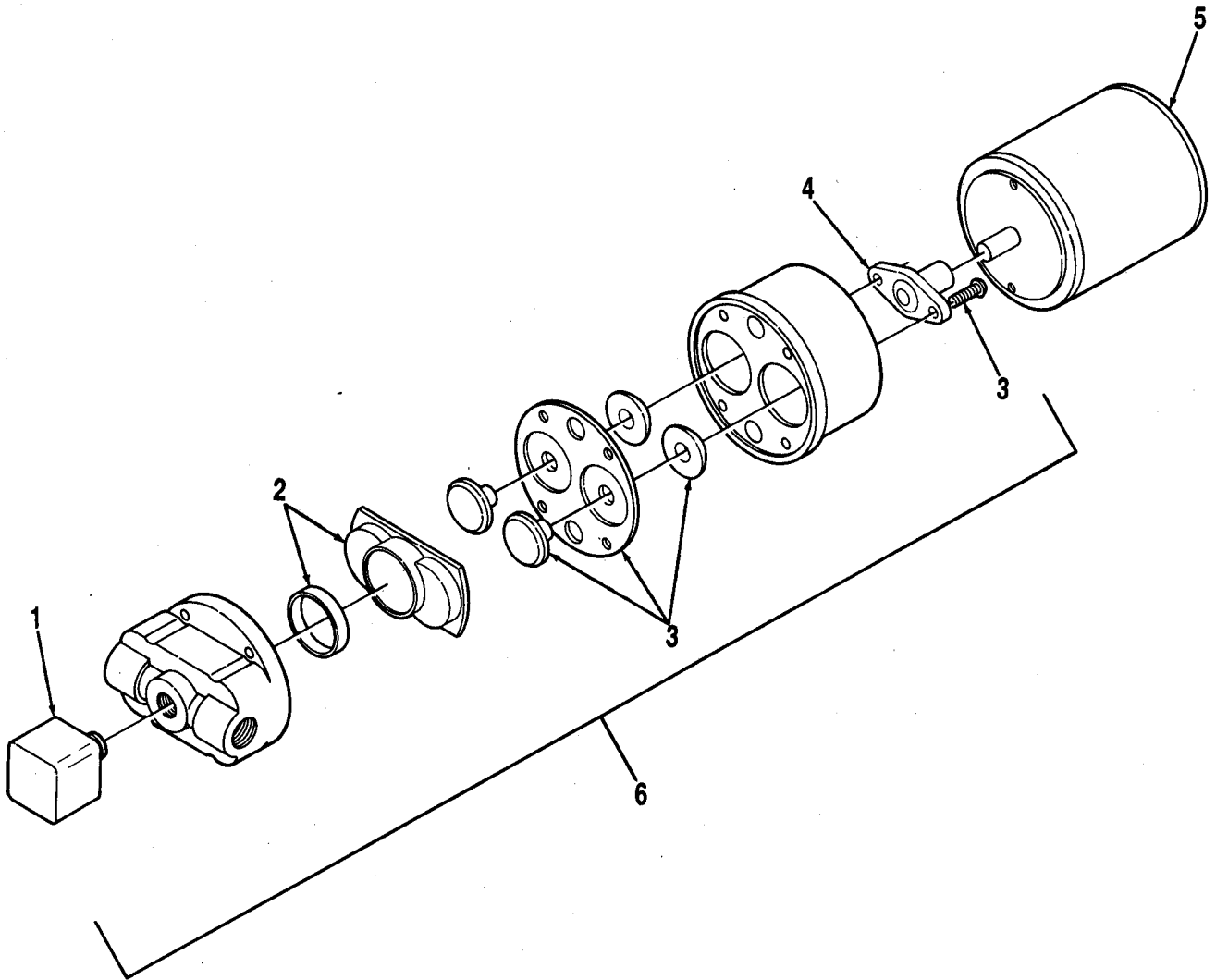
## OPTIONAL FLOOR TOOL

Item	Part No.	Qty	Description
1	260363	1	Handle
2		2	5/16-18 X .75 Screw
3		2	5/16-18 X .50 Screw
4	260361	1	Bracket
5	260370	1	Wand
6	017019	1	Decal, Advance
7	260362	1	Clamp
8		2	5/16-18 Whiz Nut
9	260364	1	Lever
10	260328	1	Handle Guide
11	260324	1	Lever Pin
12	321128	2	Retaining Ring
13		1	#6 Flat Washer
14	260310	1	Spring
15	260304	1	Rear Valve Plug
16	900039	2	O-Ring
17	260330	1	Bushing
18	900037	1	Quad-Ring
19	260306	1	Valve Washer
20	260308	1	Spring
21	260309	1	Valve Stop
22	260399	1	Poppet & Stem Assembly
23	260302	1	Valve Body
24	260303	1	Front Valve Plug
25	900025	2	Male Connector
26	260366	1	Tube Assembly
27	260367	1	Manifold Assembly
28	111295	2	Brass Elbow
29		2	Spray Nozzle
30		4	#8 Shakeproof Washer
31	900619	4	Screw
32	900044	1	Nipple
33	220526	1	Coupling
34	249910	1	Optional Extractor Hose Assembly



## VACUUM MOTOR

Item	Part No.	Qty	Description	Item	Part No.	Qty	Description
1	249725	2	Screw	18	260159	2	Brush Mechanism
2	249727	1	Cover	19	249658	1	End Bracket
3	249729	1	Ventilating Fan	20	202330	1	Neoprene Washer
4	260156	2	Screw	21	260160	1	Ground Lead
5	202584	1	Bracket	22	260162	1	Spacer
6	249651	1	Load Spring	23	249751	1	Slinger
7	203238	1	Disc	24	249753	1	Rotating Fan
8	249737	1	Ball Bearing	25	202592	1	Rotating Fan
9	260157	1	Armature (115 Volt)	26	249661	1	Washer
10	228051	1	Ball Bearing	27	249755	1	Stationary Fan
11	202762	1	Bushing	28	203516	2	Spacer
12	249745	1	Band	29	372588	2	Rotating Fan
13	249653	1	Screw	30	260163	1	Stationary Fan
14	249739	1	Air Vent Ring	31	249757	1	Shell
15	260158	1	Field (115 Volt)	32	202711	1	Washer
16	202772	5	Screw	33	203440	1	Nut
17	203254	2	Clamp				



## REPLACEMENT PARTS for 115V PUMP (249930)

Item	Part No.	Description
1	249947	Pressure Switch
2	249943	Valve Kit
3	249939	Diaphragm Kit (series 2000 pump only)
3	249834	Diaphragm Kit (series 2100 pump only)
4	249935	Cam/Bearing Assy (series 2000 pump only)
4	249835	Cam/Bearing Assy (series 2100 pump only)
5	249820	End Bell/Rectifier
6	249840	Pump Head Assembly

## REPLACEMENT PARTS for 230V PUMP (249932)

Item	Part No.	Description
1	249947	Pressure Switch
2	249943	Valve Kit
3	249939	Diaphragm Kit (series 2000 pump only)
3	249834	Diaphragm Kit (series 2100 pump only)
4	249935	Cam/Bearing Assy (series 2000 pump only)
4	249835	Cam/Bearing Assy (series 2100 pump only)
5	249822	End Bell/Rectifier
6	249841	Pump Head Assembly





**Nilfisk  
Advance**

*setting standards*

Nilfisk-Advance, Inc.

14600 21st Avenue North  
Plymouth, MN, 55447-3408

[www.nilfisk-advance.com](http://www.nilfisk-advance.com)

Phone: 800-989-2235

Fax: 800-989-6566

©2001 Nilfisk-Advance, Inc.,  
Plymouth, MN 55447-3408

Printed in the U.S.A.