

# PARTS LIST

**MATADOR**

**MODEL M17  
M17S  
M17-5  
M17S-5  
M20  
M20S  
M20-5  
M20S-5**

**FORM NO. 042 052**

**May 1981**



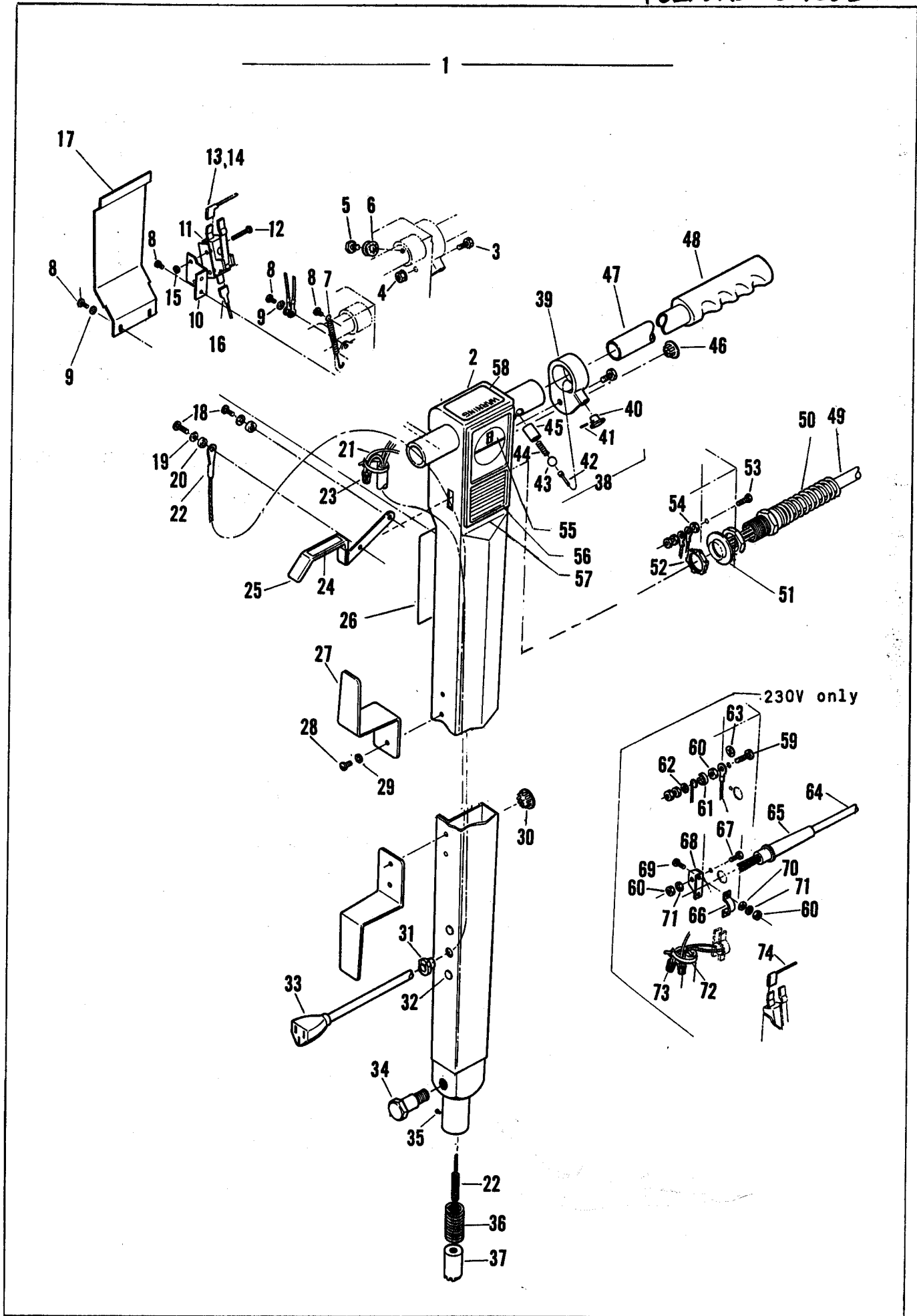
**ADVANCE**  
**MACHINE COMPANY**

**INTERNATIONAL HEADQUARTERS**, Spring Park, Minnesota 55384 USA  
**EUROPE**, 4 Rue Jean Engling, 1466 Luxembourg  
**CANADA**, 45 Iron Street, Rexdale, Ontario



# Index for Form Number 042052

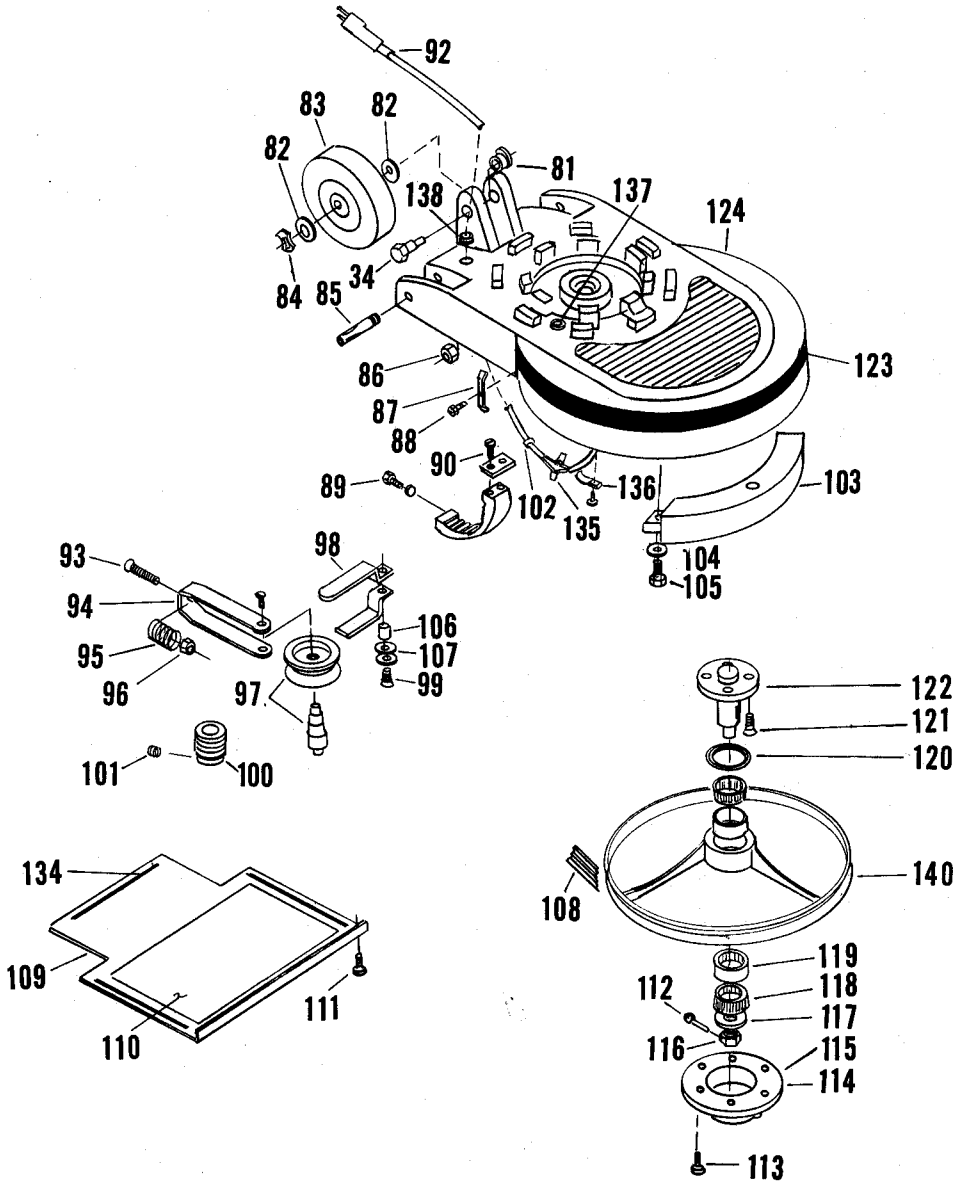
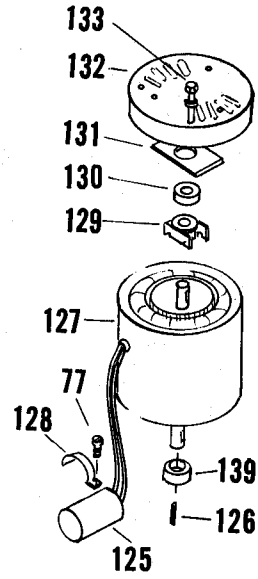
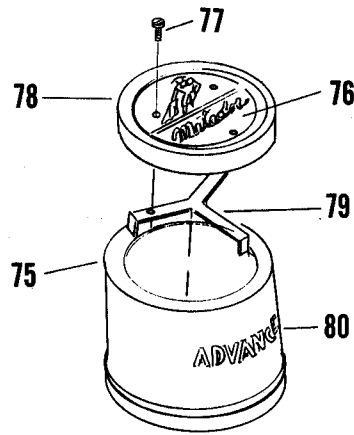
<b>Description</b>	<b>Location</b>	<b>page</b>
Base	C1	3
Handle	B12	1
Wiring Diagram	C3	5



# HANDLE ASSEMBLY

FORM NO. 04205Z

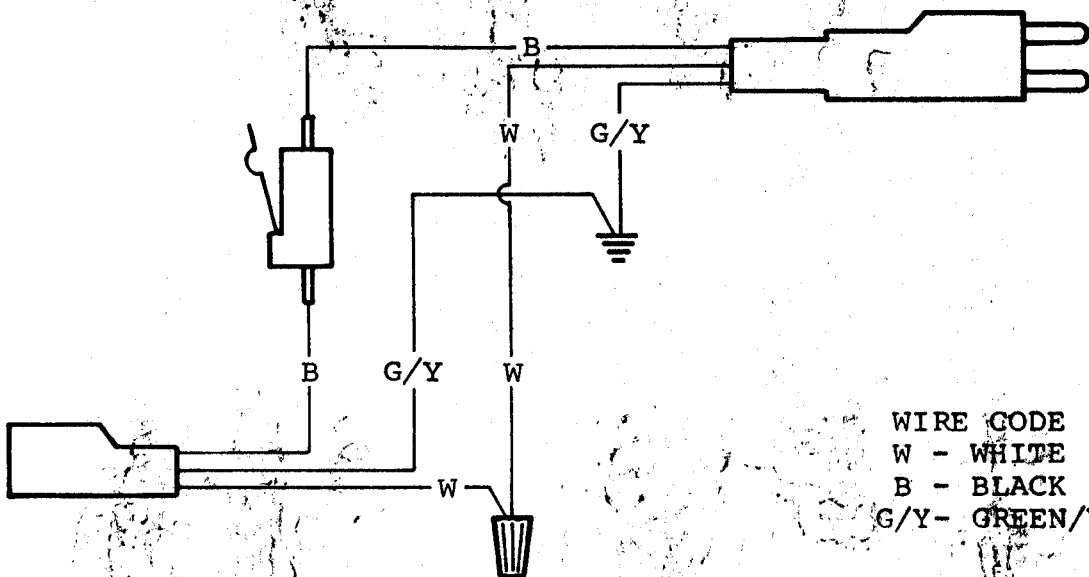
ITEM	PART NO		DESCRIPTION
1	171 275	1	HANDLE ASS'Y., 115V
	171 430	1	HANDLE ASS'Y., 230V
2	172 258	1	HANDLE WELDMENT
3		1	SCREW, 1/4-20 X .50 Hex Hd
4		1	NUT, 1/4-20 Whiz
5	234 079	1	SCREW
6		2	WASHER, Shakeproof 5/16"
7	445 177	1	SPRING
8		5	SCREW, #8-32 X.25 Pan Hd.
9		2	WASHER, Shakeproof #8
10	171 209	1	BRACKET
11	171 225	1	SWITCH
12		2	SCREW, #4-40 X.875 Pan Hd.
13	321 311	1	TAB, Receptacle
14	321 338	1	INSULATOR
15		2	NUT, #4-40 Hex
16	171 184	1	INSULATOR FLAG
17	172 262	1	COVER
18		2	SCREW, #10-24 X.375 Pan Hd
19	150 150	1	WASHER, Bowed
20	151 092	2	SPACER
21	478 246	1	TIE, Cable
22	171 099	1	CABLE ASS'Y.
23	321 737	1	NUT, Wire
24	014 856	1	DECAL, Handle
25	171 126	1	LEVER
26	014 828	1	DECAL, Warning
27	172 213	2	HOOK, Cord
28		4	SCREW, #10-32 X.375 Pan Hd.
29		4	WASHER, Shakeproof #10
30	157 244	1	PLUG BUTTON, .656
31	382 817	1	STRAIN RELIEF
32	153 699	3	PLUG BUTTON
33	171 128	1	CORD SET, 115V & 230V
34	171 097	2	BOLT, Pivot
35		1	SCREW, Drive #4 X .25
36	171 123	1	SPRING
37	171 132	1	PLUNGER
38	172 219	1	SAFETY LOCK ASS'Y., Incls: Item 39-45
39	172 215	1	COLLAR ASS'Y.
40	172 209	1	COLLAR
41	201 405	1	KNOB
42	201 472	1	PIN, Spring
43	745 866	1	BALL
44	578 222	1	SPRING, Compression
45	172 201	1	BUSHING
46	153 648	1	PLUG BUTTON
47	172 198	1	TUBE, Handle
48	514 085	2	GRIP, Handle
49	524 069	1	CORD SET, 115V
50	109 630	1	STRAIN RELIEF
51	171 093	1	WASHER
52	171 094	1	NUT, Hex
53		1	SCREW, #8-32 X.625 Pan Hd.
54		3	NUT, #8-32 Hex
55	014 600	1	DECAL, Advance
56	014 853	1	DECAL
57	014 598	1	DECAL, Plate
58	014 924	1	DECAL, Warning
59		1	SCREW, #8-32 X.625 Pan Hd. 230V
60		6	NUT, #8-32 Hex 230V
61	325 274	1	WASHER, Cupped 230V
62	325 276	1	WASHER, 230V
63	014 119	1	DECAL, Ground 230V
64	300 227	1	CORD SET, 230V
65	301 396	1	STRAIN RELIEF, 230V
66	300 542	1	CLAMP, Strain Relief 230V
67		1	SCREW, #8-32 X.375 Pan Hd. 230V
68	171 434	1	BRACKET, 230V
69		2	SCREW, #8-32 X.625 Pan Hd. 230V
70		5	WASHER, Shakeproof 230V
71		2	WASHER, Flat #8
72	478 246	1	TIE, Cable 230V
73	321 737	1	NUT, Wire 230V
74	171 432	1	WIRE ASS'Y., 230V



# BASE ASSEMBLY

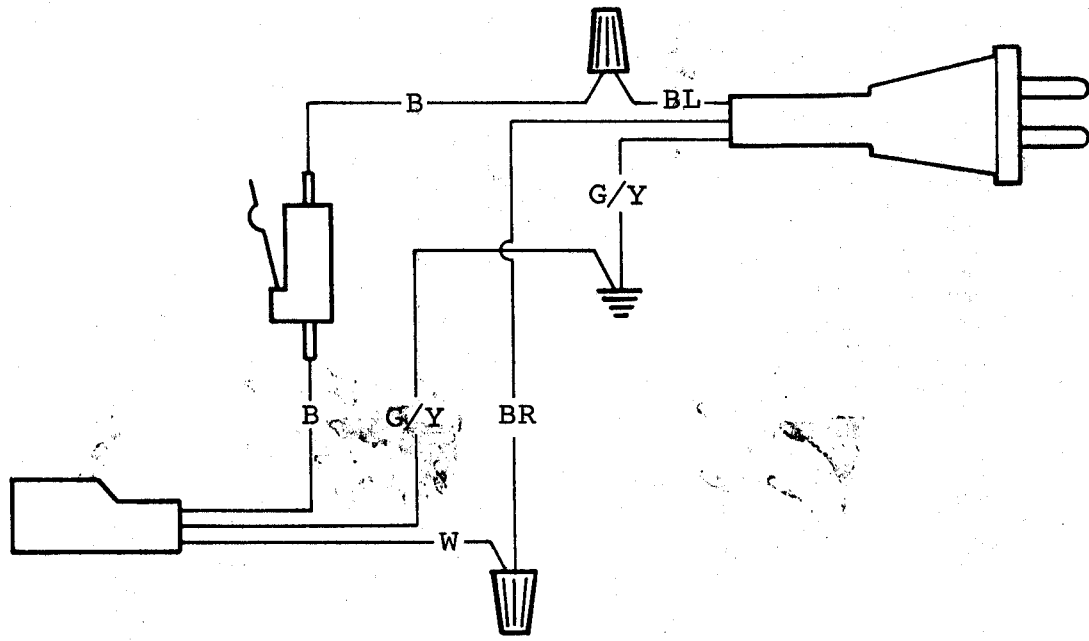
FORM NO. 042052

ITEM	PART NO	QTY	DESCRIPTION	ITEM	PART NO	QTY	DESCRIPTION
75	171 259	1	SHROUD w/Decal 17"	140	171 376	1	PULLEY ASS'Y.
	171 165	1	SHROUD w/Decal 20", Super 17"				
	171 168	1	SHROUD w/Decal, Super 20"				
76	014 854	1	DECAL, Matador				
77		3	SCREW, #10-32 X.50 Pan Hd.				
78	171 156	1	SPINNING				
79	171 161	1	CLAMP, Shroud				
80	014 858	1	DECAL, Advance				
81	171 095	2	BEARING, Sleeve				
82	155 411	4	WASHER				
83	161 691	2	WHEEL, 5.00 X1.25				
84	155 373	2	WASHER, Bowed				
85	520 845	2	AXLE				
86		2	NUT, 3/8-16 Hex				
87	171 108	2	CLAMP, Bumper				
88		2	SCREW, #10-32 X .75 Flat Hd.				
89		3	SCREW, 1/4-20 X.625 Hex Hd.				
90		2	SCREW, 1/4-20 X.75 Pan Hd.				
91	171 104	1	RATCHET, Casting				
92	171 129	1	CORD SET, 14/3 X.59 Male Plug				
93		1	SCREW, 1/4-20 X 3.00				
94	171 174	1	BRACKET				
95	171 177	1	SPRING				
96		1	NUT, Whiz				
97	171 178	1	IDLER ASS'Y.				
98	171 176	2	BRACKET, Idler				
99		2	SCREW, #10-24 X .375 Flat Hd.				
100	171 088	1	SHEAVE, 115V				
	171 414	1	SHEAVE, 230V				
101		2	SCREW, 1/4-20 X.25 Socket Set				
102	168 744	1	GROMMET				
103	171 060	1	WEIGHT, Casting 17"				
	171 050	1	WEIGHT, Casting 20"				
104		3	WASHER, Spring Lock 5/16"				
105		3	SCREW, 5/16-18 X 1.25 Hex Hd.				
106	206 784	1	BUSHING				
107		2	WASHER, SAE 1/4"				
108	171 200	1	BELT, Poly-V				
109	171 092	1	COVER, 17"				
	171 121	1	COVER, 20"				
110	014 064	1	DECAL, Instruction				
111		4	SCREW, #6-32 X.25 Pan Hd.				
112		1	COTTER PIN, 1/16 X 1.00				
113		6	SCREW, #12-24 X .625 Flat Hd.				
114	163 430	1	DRIVE CAP, Casting				
115	158 275	1	GASKET				
116	158 313	1	NUT, Slotted 9/16"				
117	163 449	1	WASHER				
118	378 267	2	BEARING, Cone				
119	378 259	2	BEARING, Cup				
120	171 078	1	SEAL, Shaft				
121		4	SCREW, 1/4-30 X.625 Flat Hd.Socket				
122	171 056	1	STUD, Shaft				
123	514 070	1	BUMPER, 17"				
	514 065	1	BUMPER, 20"				
124	177 077	1	SKIRT HOUSING w/Bumper 17"				
	171 087	1	SKIRT HOUSING w/Bumper 20"				
125	171 160	1	CAPACITOR				
126	443 719	1	KEY, Square				
127	171 136	1	MOTOR, 3/4 H.P 115V/60Hz.17"				
	171 140	1	MOTOR, 1 H.P 115V/60Hz. Super 17",20"				
	171 141	1	MOTOR, 1 H.P 230V/50Hz. Super 17-5				
	171 164	1	MOTOR, 1 1/2 H.P 115V/60Hz. Super 20"				
	171 167	1	MOTOR, 1 1/2 H.P 230V/50Hz. Super 20-5				
128	171 146	1	CLAMP				
129	524 892	1	SWITCH, Centrifugal 115V/60Hz.				
	524 885	1	SWITCH, Centrifugal 230V/50Hz.				
130	372 773	1	BEARING, Ball				
131	171 228	1	SWITCH, Stationary 115V/60Hz.				
132	171 234	1	END BELL				
133	171 232	4	THRU'BOLTS ,3/4 H.P				
	171 230	4	THRU'BOLTS ,1 H.P				
	171 166	4	THRU'BOLTS ,1 1/2 H.P				
134	320 099	1	GASKET, 1/8 X 38				
135	321 737	2	CONNECTOR, Wire				
136	300 152	1	CLAMP, Cord				
137	382 818	1	STRAIN RELIEF				
138	320 358	1	STRAIN RELIEF				
139	154 091	1	BEARING, Ball				



WIRE CODE  
W - WHITE  
B - BLACK  
G/Y - GREEN/YELLOW

115V WIRING DIAGRAM



230V WIRING DIAGRAM

WIRING DIAGRAM