

Pacemaker™ 17/20



PARTS LIST

**Advance MODELS 56168100, 56168500
56168505**

* This parts list is for machines built after June 1991. Reference note on inside of front cover.



**Nilfisk
Advance**

setting standards

10/96 revised 10/00 Form Number 56042320

* **NOTE:** Reference the machine date plate for month and year date code.
Example: "A92" - A = January, B = February, C = March, etc. / 92 = 1992(year built).

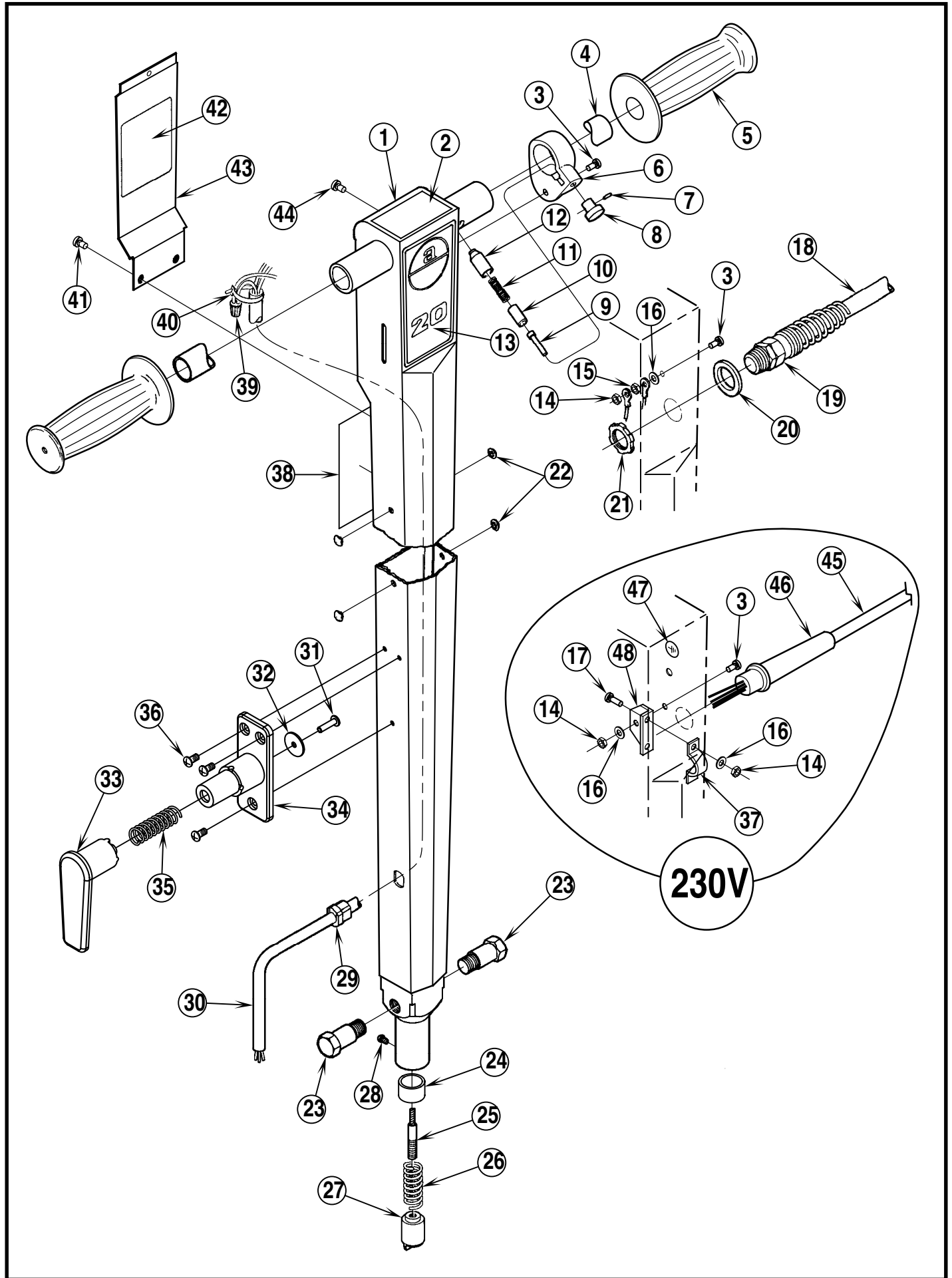
TABLE OF CONTENTS

<u>DESCRIPTION</u>	<u>PAGE</u>
Handle Assembly - Front View	1-2
Handle Assembly - Rear View	3-4
Base Assembly	5-6
Wiring Diagrams	7
Optional Brushes	8

WHEN ORDERING PARTS

- * Use the 8 digit numbers from the "Ref. No." columns in this parts list.
- * Specify the model and serial number of the machine.
- * Use the space below to record the model and serial number for future reference.

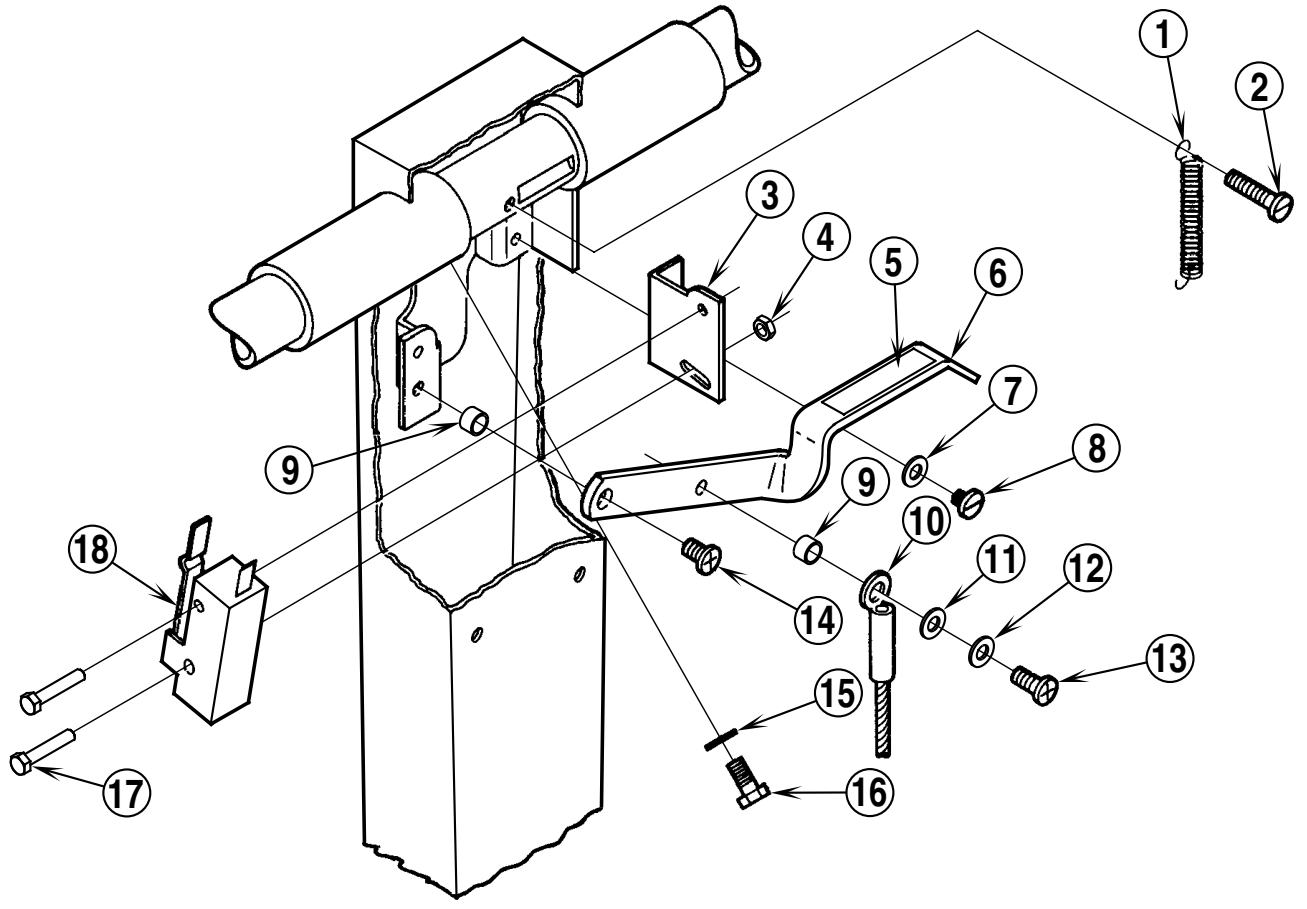
Model _____ Serial No. _____



HANDLE ASSEMBLY - FRONT VIEW

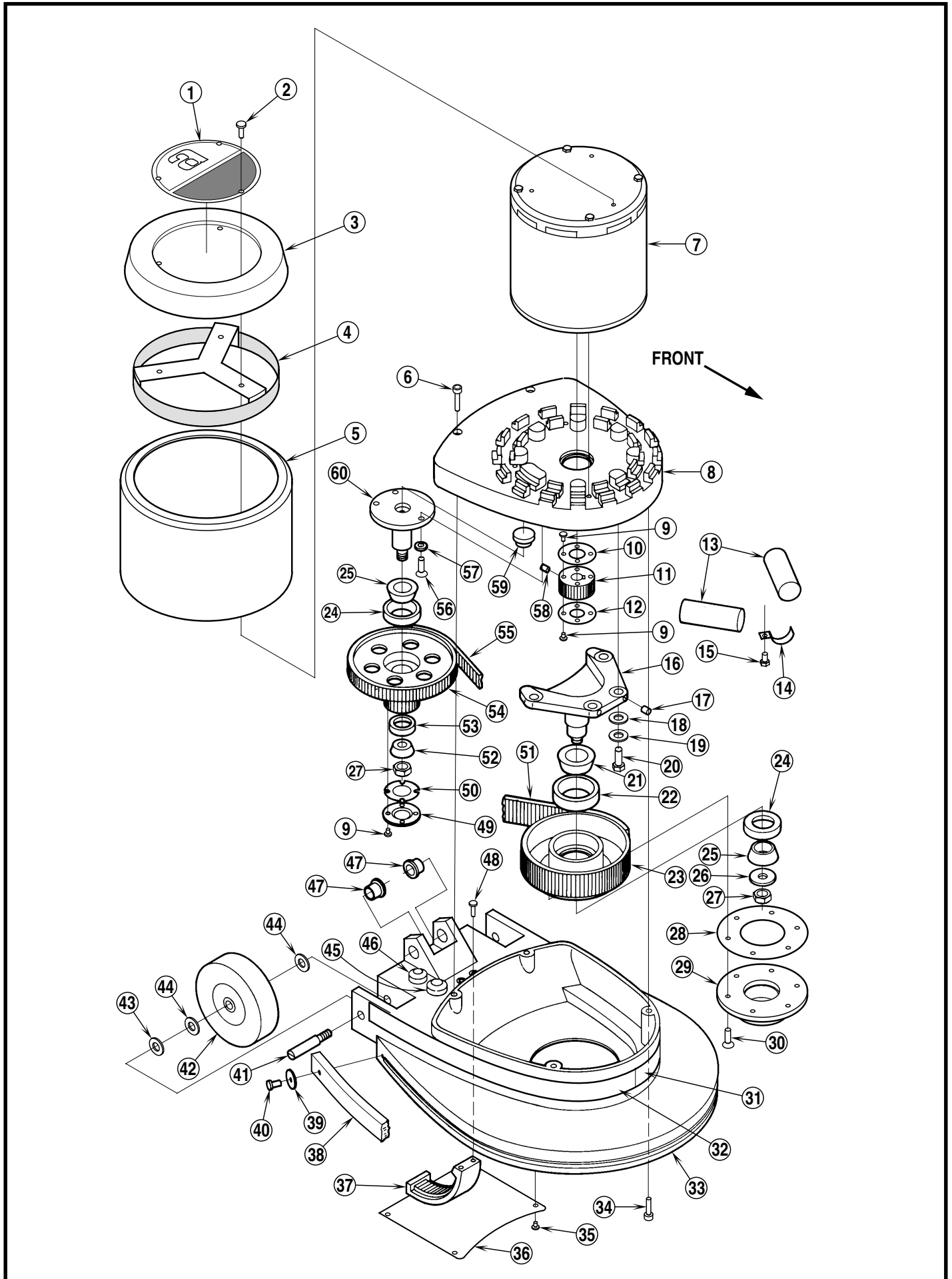
Item	Ref. No.	Qty	Description
	56172298	1	Handle Assembly (115V)
	56172299	1	Handle Assembly (230V)
1	56172274	1	Handle Weld't
2	56014924	1	Decal, Warning
3	56002003	2	Scr, Pan Phil 8-32 x .50 (qty of 3 on 230V)
*	56002244	1	Nut, Hex Machine 8-32
4	56171343	1	Tube, Handle
5	56388545	2	Hand Grip
6	56172275	1	Collar
7	56201472	1	Pin, Spring
8	56201405	1	Knob
9	56172217	1	Pin
10	56171279	1	Plunger
11	56201448	1	Spring
12	56171281	1	Bushing
13	56014096	1	Decal, 20
*	56014085	1	Decal, 17
14	56002808	1	Nut, Hex Nyl Loc 8-32 (qty of 4 on 230V)
15	56002244	1	Nut, Hex Machine 8-32
16	56009010	1	Wsh, Int Shprf #8 (qty of 4 on 230V)
17	56001860	2	Scr, Pan Phil 8-32 x .75 (230V)
18	56524069	1	Power Cord (115V)
19	56109630	1	Strain Relief (115V)
20	56171093	1	Wsh, Flt Stl .86 x 1.25 x .15 (115V)
21	56009095	1	Nut, Conduit Loc 1/2-14 (115V)
22	56153699	4	Plug, Button
23	56171336	2	Bolt, Shoulder
24	56171269	1	Bushing
25	56171373	1	Cable
26	56171361	1	Spring
27	56171132	1	Plunger
28	56001851	1	Scr, Rnd Drive 4 x .25
29	56382818	1	Strain Relief
30	56171128	1	Cord Assembly
	56171112	1	Cord Hook Assembly (#31-35)
31	56009005	1	Scr, Pan Phil SS Type B 10-16 x .75
32	56009096	1	Wsh Flt .193 x .875 x .060
33	56171110	1	Arm
34	56171111	1	Base
35	56380732	1	Spring
36	56009030	3	Scr, Pan Phil Thd Form 10-24 x .38
37	56300542	1	Clamp, Cord (230V)
38	56014828	1	Decal, Warning
39	56321737	1	Wire Nut (qty of 2 on 230V)
40	56478246	1	Cable Tie
41	56009051	2	Scr, Pan Phil Thd Form 8-32 x .38
42	56014326	1	Decal, Important
43	56172273	1	Cover
44	56009036	1	Scr, Pan Phil Thd Form 8-32 x .25
45	56300227	1	Power Cord (230V)
46	56301396	1	Strain Relief (230V)
47	56014119	1	Decal, Ground Symbol (230V)
48	56171434	1	Bracket (230V)

* = Not Shown



HANDLE ASSEMBLY - REAR VIEW

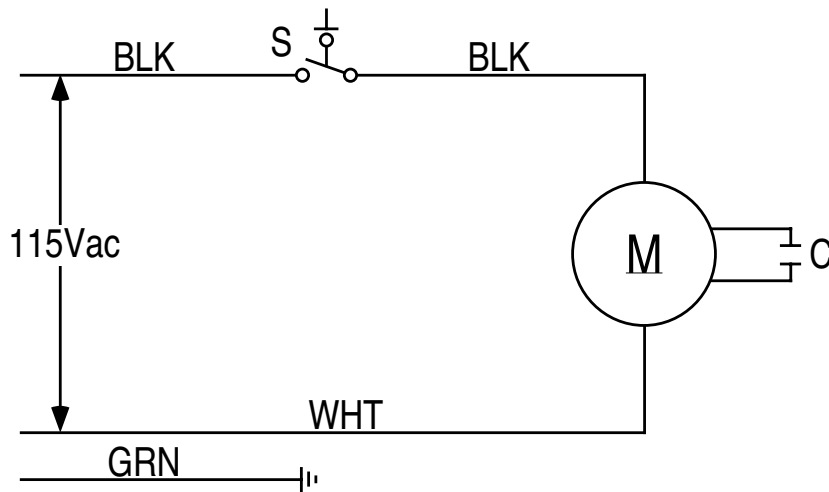
Item	Ref. No.	Qty	Description
1	56445177	1	Spring
2	56009034	1	Scr, Pan Phil Thd Form 8-32 X 7/8
3	56171209	1	Bracket
4	56002848	1	Nut, Hex Nyl Loc SS #4-40
5	56014856	1	Decal, Handle
6	56171126	1	Lever
7	56009010	2	Wsh, Int Shprf #8
8	56009036	2	Scr, Pan Phil Thd Form 8-32 X 1/4
9	56151092	2	Spacer
10	56171373	1	Cable
11	56150150	1	Washer, Bowed
12	56001954	1	Wsh, Flt #10
13	56009029	1	Scr, Pan Phil Thd Form 10-24 X 1/2
14	56009030	1	Scr, Pan Phil Thd Form 10-24 X 3/8
15	56009052	1	Wsh, Int Shprf 5/16
16	56234079	1	Scr, Machine D Shank
17	56003104	2	Scr, Hex Hd 4-40 X 1.00
18	56385615	1	Switch



BASE ASSEMBLY

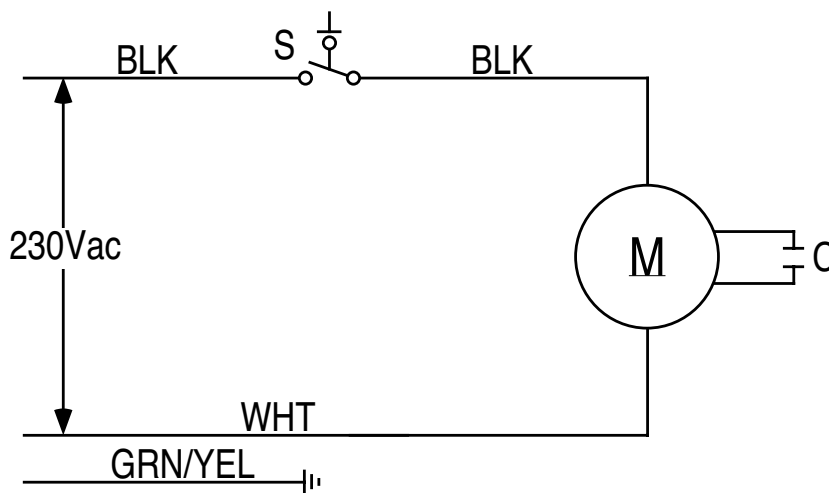
Item	Ref. No.	Qty	Description	Item	Ref. No.	Qty	Description
1	56014304	1	Decal, Logo	44	56009003	4	Wsh, Flt .51 x .93 x .07
2	56002003	3	Scr, Pan Hd 8-32 x .50	45	56109630	1	Strain Relief
3	56168135	1	Cover, Motor	46	56382818	1	Strain Relief
4	56100148	1	Clamp	47	56171095	2	Bearing
5	56100075	1	Shroud	48	56009018	4	Scr, Pan Phil Thd Form 1/4-20 x .75
6	56002201	2	Scr, Soc Hd 5/16-18 x 1.50	49	56158305	1	Cap
7	56100074	1	Motor 17", 115V / 60Hz	50	56163457	1	Gasket
	56100077	1	Motor 20", 115V / 60Hz	51	56158364	1	Flex-O-Gear
	56100078	1	Motor 20", 230V / 50Hz	52	56158216	1	Bearing
*	56100671	1	Replacement Stationary Switch	53	56158208	1	Bearing, Race
*	56100672	1	Replacement Rotating Switch	54	56157872	1	Idler Gear
8	56100076	1	Drive Housing	55	56158402	1	Flex-O-Gear
9	56009143	12	Scr, Pan Phil 4-40 x .31	56	56001881	3	Scr, Flt Soc 1/4-20 x .75
10	56158119	1	Washer	57	56155144	3	Washer
11	56158089	1	Gear, Pulley	58	56001823	1	Scr, Soc Set 10-24 x .38
*	56158135	1	Key	59	56155136	1	Eccentric
12	56163414	1	Washer	60	56155128	1	Idler Shaft
13	56153958	2	Capacitor				
14	56164232	2	Bracket	*	56171129	1	Pigtail, Electrical
15	56002824	2	Scr, Pan Phil 10-24 x 1.25				
16	56161489	1	Stud Shaft				
17	56002021	2	Scr, Soc Set 5/16-18 x .38				
18	56162957	4	Washer				
19	56009112	4	Wsh, Shprf .38				
20	56001858	4	Scr, Hex Hd 3/8-16 x 1.25				
21	56158151	1	Bearing				
22	56158143	1	Bearing Race				
23	56163368	1	Pulley				
24	56378259	2	Bearing Race				
25	56378267	2	Bearing				
26	56163449	1	Washer				
27	56158313	2	Nut				
*	56002946	2	Cotter Pin 1/16 x 1				
28	56158275	1	Gasket				
29	56163430	1	Drive Cap (Silver / NP-47)				
	56163431	1	Drive Cap (Gold / NP-92)				
30	56009127	6	Scr, Flt Phil Thd Form 10-24 x .62				
31	56014022	1	Decal, Pacemaker 17" Left				
	56014013	1	Decal, Pacemaker 20" Left				
32	56014023	1	Decal, Pacemaker 17" Right				
	56014014	1	Decal, Pacemaker 20" Right				
33	56168124	1	Housing 17" (includes #38-40 & 47)				
	56168123	1	Housing 20" (includes #38-40 & 47)				
34	56002131	2	Scr, Soc Hd 5/16-18 x 1.25				
35	56009051	4	Scr, Pan Phil Thd Form 8-32 x .38				
36	56168665	1	Cover Plate				
37	56171104	1	Ratchet				
38	56168129	1	Bumper 17"				
	56168128	1	Bumper 20"				
39	56009096	2	Wsh, Flt .19 x .87 x .06				
40	56009043	2	Scr, Pan Phil Thd Form 10-24 x .75				
41	56520845	2	Axle				
*	56002769	2	Nut, Hex Nyl Loc 3/8-16				
42	56161691	2	Wheel				
43	56135373	2	Washer, Bowed				

* = Not Shown



115V WIRING DIAGRAM

Item	Ref. No.	Qty	Description
S	56385615	1	Switch
M	56100074	1	Motor 17", 115V / 60Hz
	56100077	1	Motor 20", 115V / 60Hz
	56100671	1	Replacement Stationary Switch
	56100672	1	Replacement Rotating Switch
C	56153958	2	Capacitor



230V WIRING DIAGRAM

Item	Ref. No.	Qty	Description
S	56385615	1	Switch
M	56100078	1	Motor 20", 230V / 50Hz
	56100671	1	Replacement Stationary Switch
	56100672	1	Replacement Rotating Switch
C	56153958	2	Capacitor

OPTIONAL BRUSHES

Ref. No.	Qty	Description	Ref. No.	Qty	Description
17" Brushes For Silver NP-47 Drive Cap			56182058	A/R	"Pad Grab" Pad Retainer (snap in)
56505055	1	Magna Grit™ 46 Brush, 17"	56393567	A/R	"Big Mouth" Pad Retainer (threaded)
56505054	1	Dyna Grit™ 80 Brush, 17"			
56505078	1	MidLite Grit™ 180 Brush, 17"			
56505082	1	MidGrit™ 240 Brush, 17"			
56505059	1	AgLite™ 500 Brush, 17"			
56505331	1	Prolene Brush, 17"			
56505076	1	ProLite™ Brush, 17"			
56505334	1	Union Mix Brush, 17"			
56505330	1	Short-Trim Pad Holder, 17"			
56505180	1	Level-Set Pad Holder, 17"			
56505530	1	Soft-Touch™ Shampoo Brush, 17"			
56505537	1	Soft-Touch™ Shampoo Brush Assy, 17"			
56506001	1	Clutch Plate for Above Brushes (Silver / NP-47)			
20" Brushes For Silver NP-47 Drive Cap					
56505058	1	Magna Grit™ 46 Brush, 20"			
56505048	1	Dyna Grit™ 80 Brush, 20"			
56505079	1	MidLite Grit™ 180 Brush, 20"			
56505083	1	MidGrit™ 240 Brush, 20"			
56505063	1	AgLite™ 500 Brush, 20"			
56505450	1	Prolene Brush, 20"			
56505077	1	ProLite™ Brush, 20"			
56505454	1	Union Mix Brush, 20"			
56505455	1	Short-Trim Pad Holder, 20"			
56505183	1	Level-Set Pad Holder, 20"			
56505531	1	Soft-Touch™ Shampoo Brush, 20"			
56505538	1	Soft-Touch™ Shampoo Brush Assy, 20"			
56506001	1	Clutch Plate for Above Brushes (Silver / NP-47)			
17" Brushes For Gold NP-92 Drive Cap					
56505911	1	Magna Grit™ 46 Brush, 17"			
56505912	1	Dyna Grit™ 80 Brush, 17"			
56505918	1	MidLite Grit™ 180 Brush, 17"			
56505917	1	MidGrit™ 240 Brush, 17"			
56505913	1	AgLite™ 500 Brush, 17"			
56505914	1	Prolene Brush, 17"			
56505915	1	ProLite™ Brush, 17"			
56505916	1	Union Mix Brush, 17"			
56505910	1	Short-Trim Pad Holder, 17"			
56505270	1	Level-Set Pad Holder, 17"			
56505539	1	Soft-Touch™ Shampoo Brush Assy, 17"			
56506006	1	Clutch Plate for Above Brushes (Plastic / NP-92)			
20" Brushes For Gold NP-92 Drive Cap					
56505921	1	Magna Grit™ 46 Brush, 20"			
56505922	1	Dyna Grit™ 80 Brush, 20"			
56505928	1	MidLite Grit™ 180 Brush, 20"			
56505927	1	MidGrit™ 240 Brush, 20"			
56505923	1	AgLite™ 500 Brush, 20"			
56505924	1	Prolene Brush, 20"			
56505925	1	ProLite™ Brush, 20"			
56505926	1	Union Mix Brush, 20"			
56505920	1	Short-Trim Pad Holder, 20"			
56505280	1	Level-Set Pad Holder, 20"			
56505540	1	Soft-Touch™ Shampoo Brush Assy, 20"			
56506006	1	Clutch Plate for Above Brushes (Plastic / NP-92)			



Nilfisk-Advance, Inc.
14600 21st Avenue North
Plymouth, MN, 55447-3408
www.nilfisk-advance.com
Phone: 800-989-2235
Fax: 800-989-6566
©2000 Nilfisk-Advance, Inc.,
Plymouth, MN 55447-3408
Printed in the U.S.A.