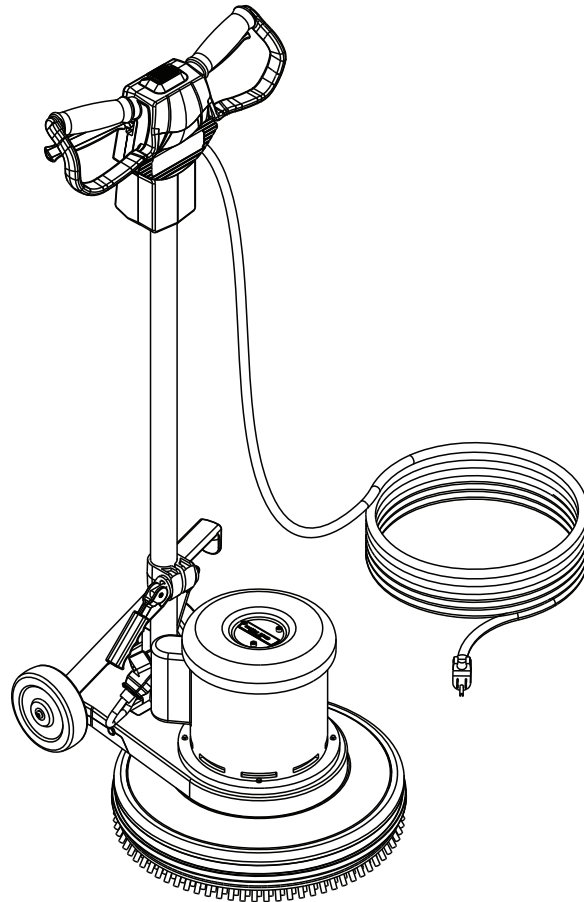


# Pacesetter™ 13, 17, 20

# Pacesetter™ 17HD, 20HD

# Pacesetter™ 20TS, 20SD



## PARTS LIST

Models: 01282A (13), 01290A (17), 01290C (17), 01290M (17), 01370A (20), 01370C (20)  
01330A (17HD), 01330C (17HD), 01410A (20HD), 01410C (20HD), 01440A (20TS), 01460A (20SD)  
56383336 (17HD), 56383337 (20HD)

This parts list is for machines after serial number HB



# Advance

7/05 revised 7/13 FORM NO. 71051A

**TABLE OF CONTENTS**

<b>DESCRIPTION</b>	<b>PAGE</b>
Optional Accessories.....	3
Assembly Drawing .....	4-5
Wiring Diagrams.....	6
Motor Schematics (120V).....	7
Motor Schematics (230V).....	7

**WHEN ORDERING PARTS**

- \* Use the part numbers from the "Ref. No." columns in this parts list.
- \* Specify the model and serial number of the machine.
- \* Use the space below to record the model and serial number for future reference.

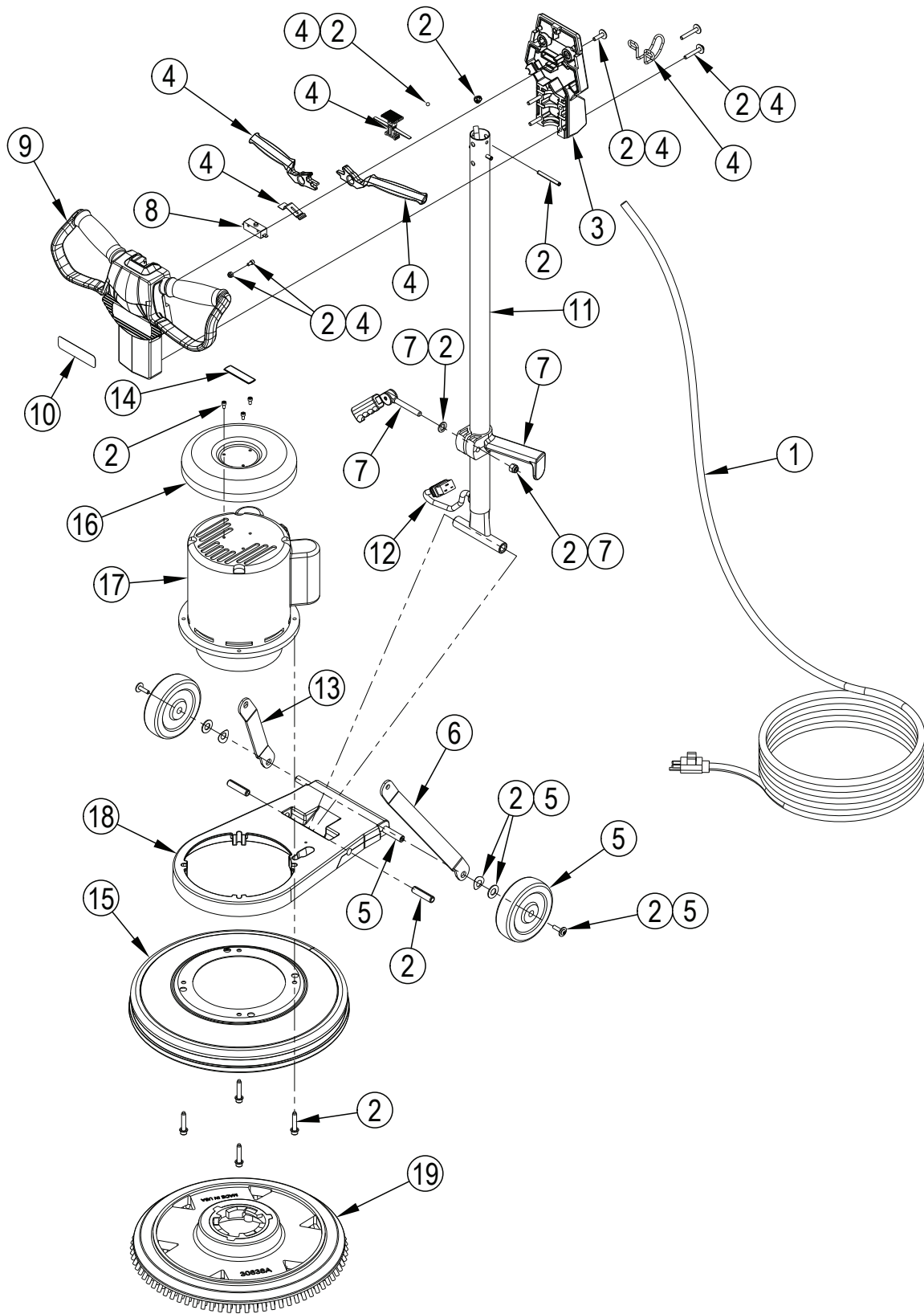
Model \_\_\_\_\_ Serial No. \_\_\_\_\_

## OPTIONAL ACCESSORIES

Item	Ref. No.	Qty	Description
	56172313		Splash Guard Assembly <b>(20 Models)</b>
	53853A		Solution Tank Kit <b>(All Models)</b>
	11022A		Weight Kit <b>(HD Models only)</b>
	56020194		Bassine Brush 13
	30766A		Brush 13 Union Mix
	30767A		Brush 13 Steel Wire
	30768A		Brush Poly Scrub C2K-130
	56020309		Nylon Medium Grit Brush 13
	56505910		Short-Trim Pad Holder 17 <b>(w/pad centering device)</b>
	56505270		Level-Set Pad Holder 17
	56505915		ProLite™ Brush 17
	56505914		Prolene Brush 17
	56505911		MagnaGrit™ 46 Brush 17
	56505912		DynaGrit™ 80 Brush 17
	56505918		MidLite Grit™ 180 Brush 17
	56505917		MidGrit™ 240 Brush 17
	56505913		AgLite™ 500 Brush 17
	56505916		Union Mix Brush 17
	56505539		Soft-Touch™ Shampoo Brush 17
	56505920		Short-Trim Pad Holder 20 <b>(w/pad centering device)</b>
	56505280		Level-Set Pad Holder 20
	56505925		ProLite™ Brush 20
	56505924		Prolene Brush 20
	56505921		MagnaGrit™ 46 Brush 20
	56505922		DynaGrit™ 80 Brush 20
	56505928		MidLite Grit™ 180 Brush 20
	56505927		MidGrit™ 240 Brush 20
	56505923		AgLite™ 500 Brush 20
	56505926		Union Mix Brush 20
	56505540		Soft-Touch™ Shampoo Brush 20
	56506006		NP-92 Clutch Plate-Nylon Replacement
	56161750		Brown Stripping Pad, 17" <b>(case of 5)</b>
	976054		Pads CS 17 Blue 51 CS=5EA <b>(case of 5)</b>
	56161738		Blue Scrubbing Pad, 20" <b>(case of 5)</b>
	56505019		Pad Centering Unit <b>(includes 56393567) (for use w/56505910 and 56505920)</b>
	56393567		"Big Mouth" Pad Retainer <b>(for use w/56505910 and 56505920)</b>

**NOTE:** Pad Holders and Brushes come complete with Industry Standard NP-92 Clutch Plate.

ASSEMBLY DRAWING

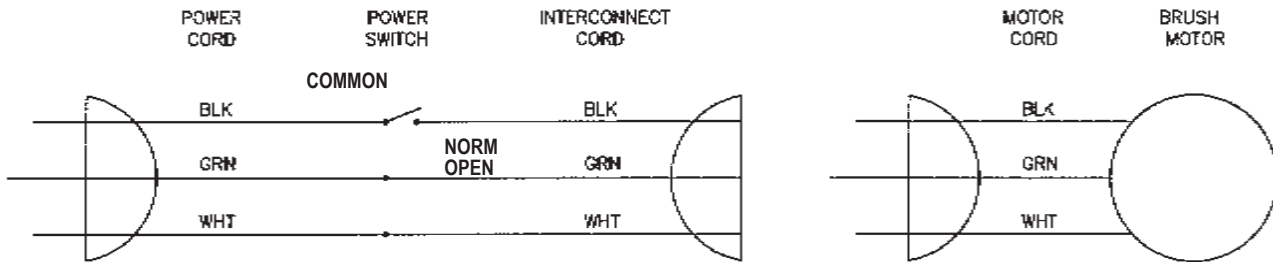


ASSEMBLY DRAWING

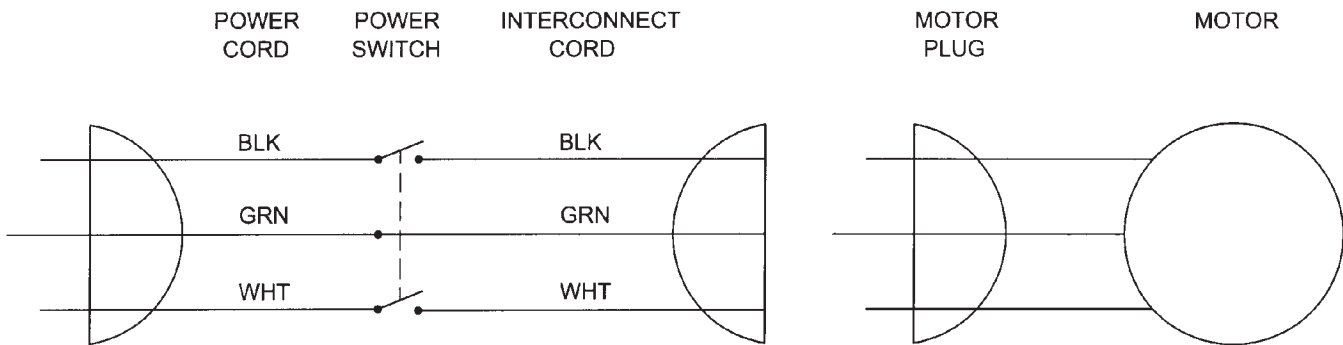
Item	Ref. No.	Qty	Description	Item	Ref. No.	Qty	Description
1	40760A	1	Cord, Power (120V)	17	40761A	1	Motor, (13, 17, 20) (120V/60Hz)
1	40760C	1	Cord, Power (230V)		40694A	1	Start Capacitor (supplied with motor)
2	11014A	1	Hardware Kit		40695A	1	Run Capacitor (supplied with motor)
3	30644A	1	Handle, Back		53190A	1	Start Switch (supplied with motor)
4	11016A	1	Trigger Kit		53645A	1	Gearbox, (13, 17, 20)
5	11018A	2	Wheel Kit		69195A	1	Coupling (supplied with gearbox)
6	61740A	1	Link Arm, Left	17	40763A	1	Motor, (17HD, 20HD) (120V/60Hz)
7	11019A	1	Handle Clamp Kit		40694A	1	Start Capacitor (supplied with motor)
8	56201034	1	Switch, SPST (120V)		53191A	1	Run Capacitor (supplied with motor)
8	40949C	1	Switch, DPST (230V)		53190A	1	Start Switch (supplied with motor)
9	30643A	1	Handle, Front (120V)		53646A	1	Gearbox, (17HD, 20HD)
9	30643C	1	Handle, Front (230V)		69195A	1	Coupling (supplied with gearbox)
10	70975A	1	Label, Handle Advance	17	40764A	1	Motor, (20TS)
10	56383335	1	Decal-Handle SERVPRO		51405A	4	Brush (supplied with motor)
11	61373A	1	Handle Tube		912287	1	Rectifier (supplied with motor)
12	40774A	1	Cord, Interconnect (120V)		56039285	1	Speed Control (supplied with motor)
12	40774C	1	Cord, Interconnect (230V)		40851A	1	Toggle Switch (supplied with motor)
13	61741A	1	Link Arm, Right		53647A	1	Gearbox, (20TS)
14	71169A	1	Label, Pacesetter 13		69195A	1	Coupling (supplied with gearbox)
14	70978A	1	Label, Pacesetter 17 (120V)	17	40766A	1	Motor, (20SD)
14	70978C	1	Label, Pacesetter 17 (230V)		40694A	1	Start Capacitor (supplied with motor)
14	70979A	1	Label, Pacesetter 17HD (120)		53191A	1	Run Capacitor (supplied with motor)
14	70979C	1	Label, Pacesetter 17HD (230V)		53190A	1	Start Switch (supplied with motor)
14	70980A	1	Label, Pacesetter 20 (120V)		53654A	1	Gearbox, (20SD)
14	70980C	1	Label, Pacesetter 20 (230V)		53850A	1	Coupling (supplied with gearbox)
14	70981A	1	Label, Pacesetter 20HD (120V)	17	40762A	1	Motor (17, 20) (230V/50Hz)
14	70981C	1	Label, Pacesetter 20HD (230V)		40694A	1	Start Capacitor (supplied with motor)
14	70982A	1	Label, Pacesetter 20TS		53190A	1	Start Switch (supplied with motor)
14	70983A	1	Label, Pacesetter 20SD		53645A	1	Gearbox, (17, 20)
15	11364A	1	Housing Assembly (13)		69195A	1	Coupling (supplied with gearbox)
	61844A	1	Housing (13)	17	40765A	1	Motor (17HD, 20HD) (230V/50Hz)
	50972A	1	Bumper (13)		40694A	1	Start Capacitor (supplied with motor)
15	11006A	1	Housing Assembly (17)		53190A	1	Start Switch (supplied with motor)
	61715A	1	Housing (17)		53646A	1	Gearbox, (17HD, 20HD)
	30381A	1	Bumper (17)		69195A	1	Coupling (supplied with gearbox)
15	11007A	1	Housing Assembly (20)	18	21088A	1	Mainframe
	61714A	1	Housing (20)	19	30758A	1	Pad Driver (13)
	50784A	1	Bumper (20)	19#	56505910	1	Pad Holder-17 NP92 Clutch (17)
16	61716A	1	Cover, Drip (13, 17, 20, 17HD, 20HD, 20SD)	19#	56505920	1	Pad Holder-20 NP92 Clutch (20)
	61717A	1	Cover, Drip (20TS)				

[ ] = Not Shown  
 \* = Optional, Not Included  
 # = Revised or new since last update

### 120V WIRING DIAGRAM

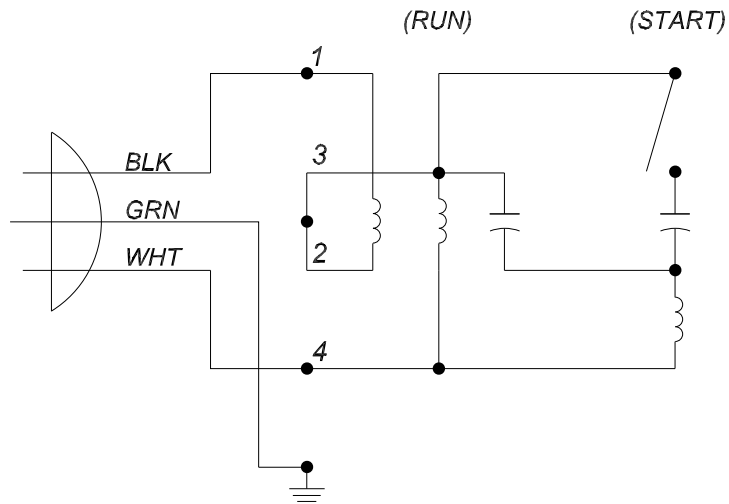


### 230V WIRING DIAGRAM

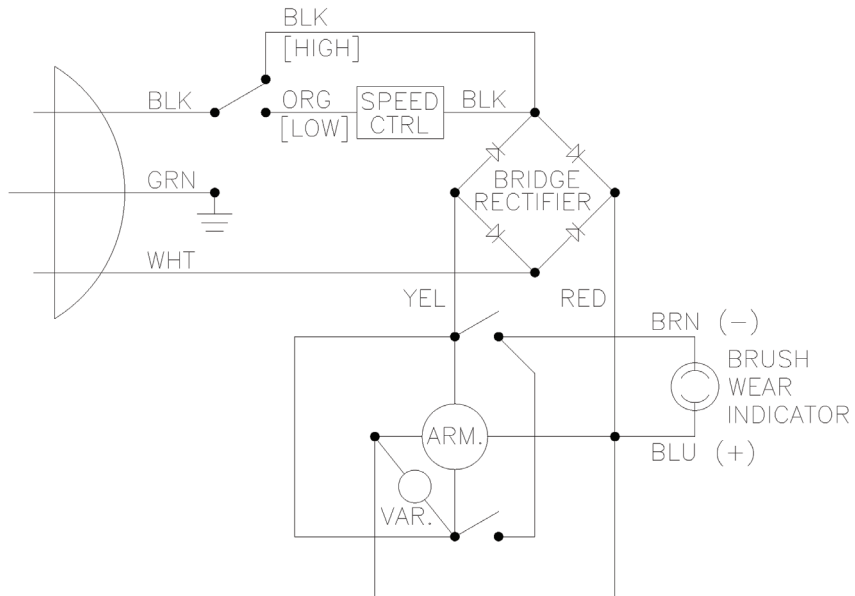


### MOTOR SCHEMATICS

All 230V Models (17, 20, 17HD & 20HD) Motor Schematic

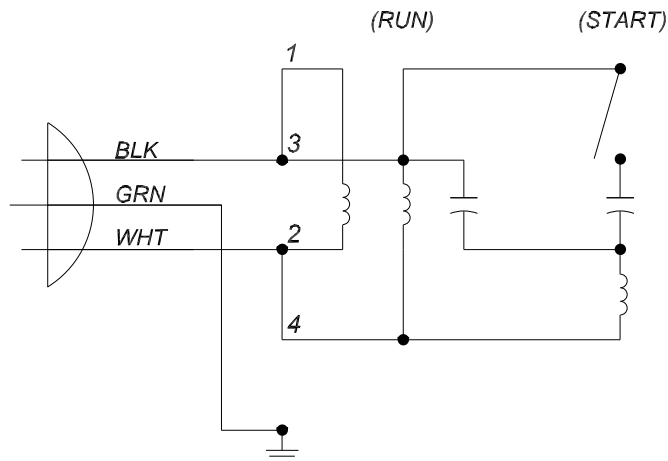


TS Motor Schematic



All 120V Models (except TS) Motor Schematic

ELECTRICAL SCHEMATIC  
(120V)





Nilfisk-Advance Equipamentos de Limpeza Ltda.  
Av. Dep. Emílio Carlos, 2.499 - Bairro do Limão - 02721-200  
São Paulo - SP - Brasil  
[www.nilfisk-advance.ind.br](http://www.nilfisk-advance.ind.br)  
[www.plataforma.ind.br](http://www.plataforma.ind.br)  
Tel.: (11) 3959-0300  
Fax: (11) 3959-0306  
©2013 Nilfisk-Advance, Inc.



14600 21st Avenue North  
Plymouth, MN 55447-3408  
[www.advance-us.com](http://www.advance-us.com)  
Phone: 800-989-2235  
Fax: 800-989-6566  
©2013 Nilfisk-Advance, Inc.

---

**A Nilfisk-Advance Brand**