

AdVac™ 14XP

PARTS LIST

**Advance MODELS 56703700(Obsolete)
56703812(Obsolete), 56703800(Obsolete)**



Advance
by Nilfisk-Advance

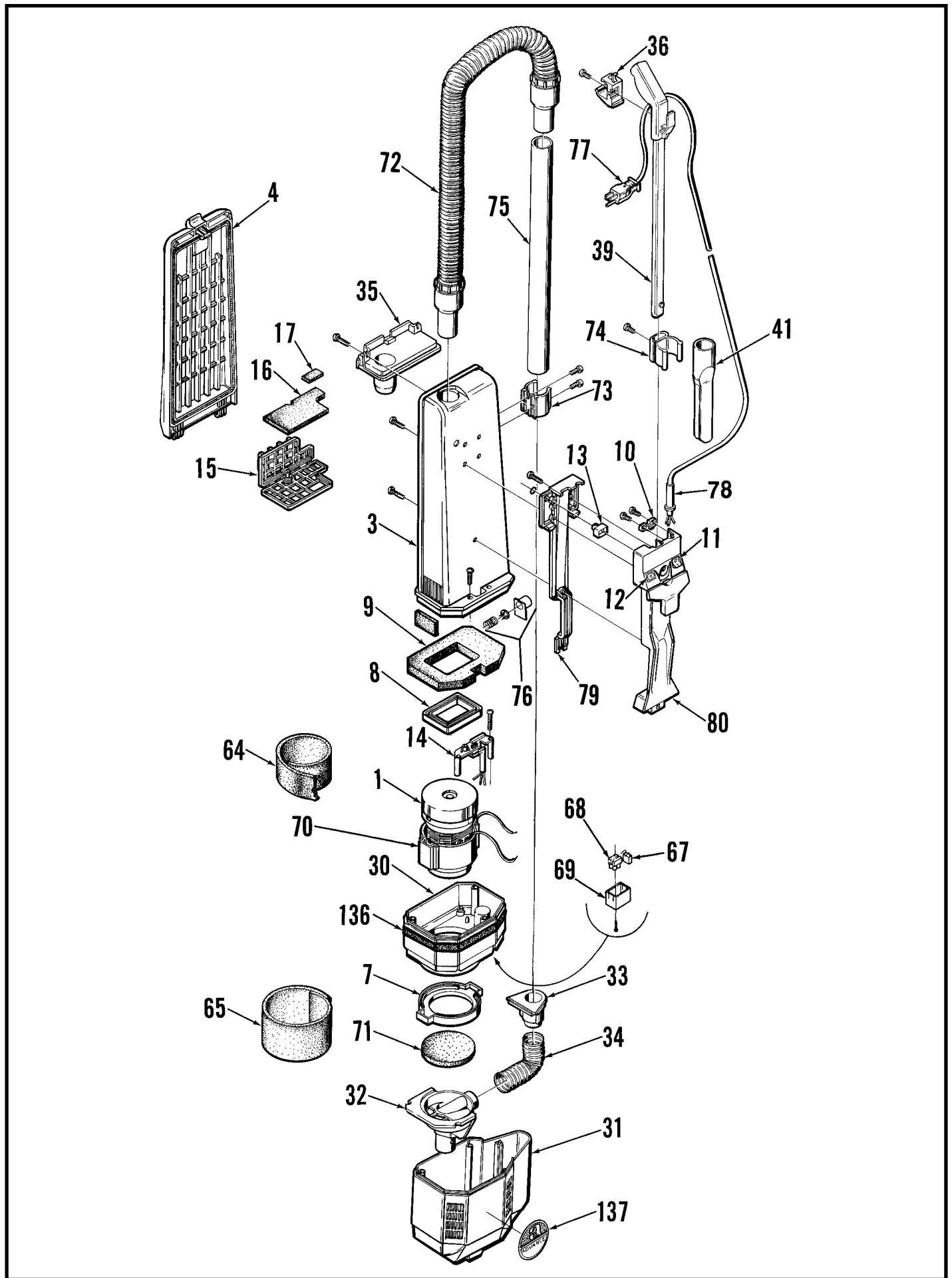
TABLE OF CONTENTS

<u>DESCRIPTION</u>	<u>PAGE</u>
Bag Housing	1-2
Brush Housing	3-4

WHEN ORDERING PARTS

- * Use the 8 digit numbers from the "Ref. No." columns in this parts list.
- * Specify the model and serial number of the machine.
- * Use the space below to record the model and serial number for future reference.

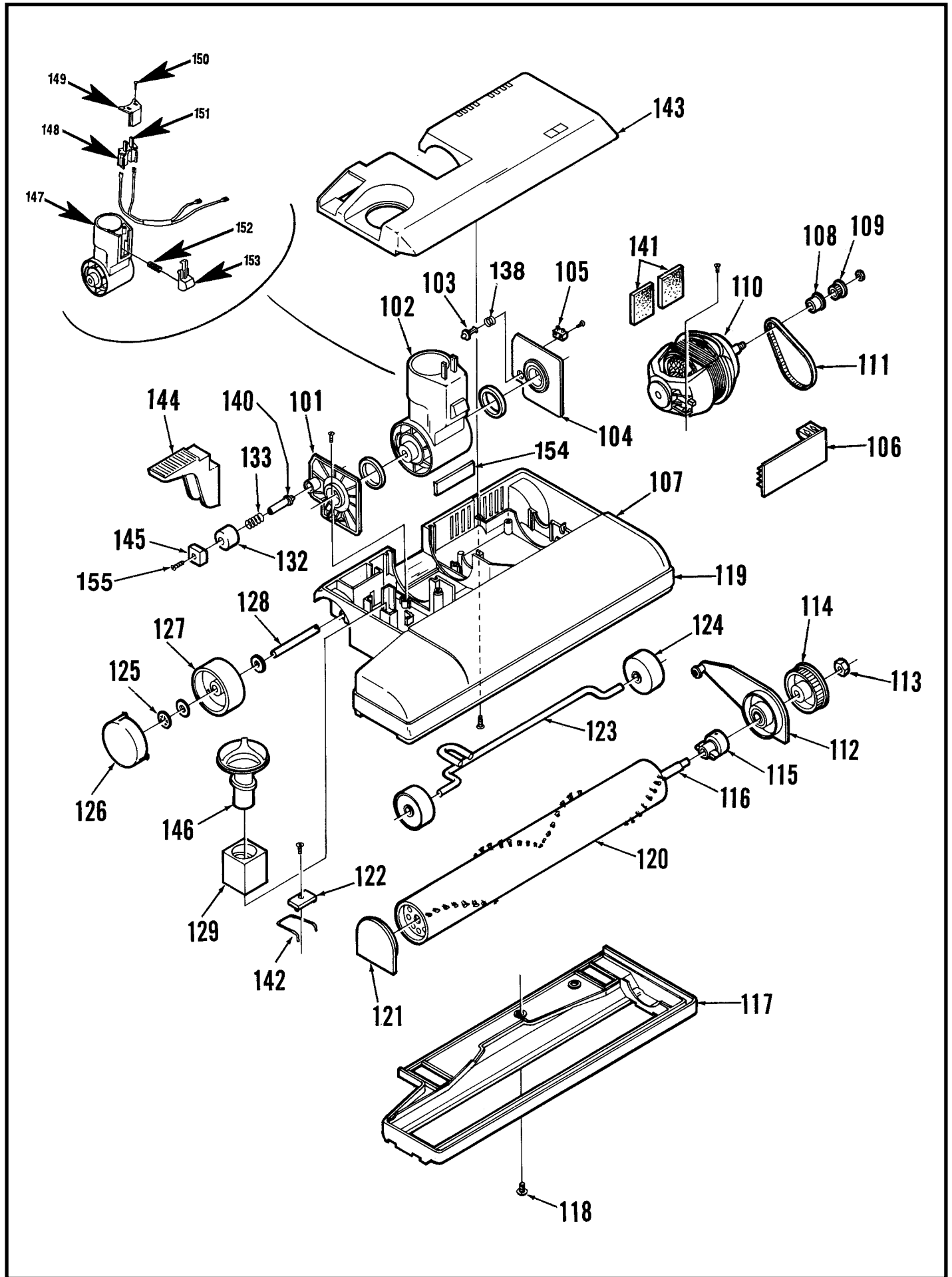
Model _____ Serial No. _____



BAG HOUSING

Item	Ref. No.	Qty	Description				
	56703832	1	Bag Housing Assembly 120V				
	56703833	1	Bag Housing Assembly 220V				
	56703834	1	Bag Housing Assembly 240V				
1	56704237	1	Vac Motor 120V TSB 596				
*	56704238	2	Carbon Brushes for 56704237 & 56704168 TSBUS2002-829				
	56704169	1	Vac Motor 220V TSB 596				
	56703649	1	Vac Motor 240V TSB 596				
3	56703702	1	Bag Housing	*	56703768	1	Paper Bags (pkg of 10)
4	56703703	1	Bag Housing Cover	*	56703769	1	Cloth Bag
7	56703704	1	Vacuum Motor Support Gasket	*	56320676	1	Bag Clip for Cloth Bag
8	56703705	1	Gasket, Exhaust	*	56703771	1	Extension Tube (1 pc)
9	56703706	1	Filter				30 mm ID x 48 cm long
10	56703977	1	Cord Clamp 120V	*	56703772	1	Tube Bend with Suction Control
	56703977	1	Cord Clamp 220/240V	*	56703774	1	Upholstery Tool
11	56703708	1	Main Switch	*	56703785	1	Round Dusting Brush
12	56703709	1	Indicator Light				
13	56703099	1	Electric System Kit				
14	56703711	1	Cord Clamp				
15	56703712	1	Filter Holder				
16	56703713	1	Filter				
17	56703714	1	Scented Pad (pkg of 5)				
30	56703715	1	Inner Vacuum Motor Housing				
31	56703716	1	Outer Vacuum Motor Housing				
32	56703717	1	Vacuum Motor Support TSB 576				
33	56703718	1	Vacuum Hose Connector				
34	56703719	1	Hose				
35	56703720	1	Bag Adapter				
36	56703721	1	Upper Hose Clip				
39	56703723	1	Handle Tube Assembly				
	56703827	1	Handle Grip (only)				
	56703828	1	Tube (only)				
41	56703725	1	Crevice Tool				
64	56703775	1	Foam				
65	56703776	1	Foam				
67	56703784	1	RFI Filter				
68	56703783	1	Terminal Block				
69	56703782	1	Cover				
70	56703781	1	Vacuum Motor Shell				
71	56703780	1	Filter				
72	56704216	1	Semi-Flex Hose Assembly				
73	56703726	1	Wand Clip				
74	56703724	1	Crevice Tool Clip				
75	56703771	1	Wand				
76	56703779	1	Relief Valve				
77	56703731	1	Cord 120V				
	56703974	1	Cord 220V				
	56703982	1	Cord 240V				
78	56703662	1	Strain Relief 120V				
	56703663	1	Strain Relief 220/240V				
79	56703729	1	Frame/Handle/Switch Assembly				
*	56703839	2	Handle Wire Assembly required for 56703729				
80	56703730	1	Handle Cover				
136	56015026	1	Decal, Stripe				
137	56017019	1	Decal, Advance				

* = Optional Accessory, not shown.



BRUSH HOUSING

Item	Part No.	Qty	Description	
	56703835	1	Brush Housing Assembly 120V	
	56703836	1	Brush Housing Assembly 220V	
	56703837	1	Brush Housing Assembly 240V	
101	56703734	1	Right Connector Support	
102	56703735	1	Connector Assembly 120V TSB 676	
	56703653	1	Connector Assembly 220/240V TSB 676	
103	56704023	1	Switch Activator Pin	
104	56703737	1	Left Connector Support	
105	56703738	1	Brush Motor Switch	
106	56703739	1	Circuit Board 120V	
	56703655	1	Circuit Board 220/240V	
107	56703740	1	Base Housing	
*	56703856	4	Brass Nut Sert	
108	56703741	1	Pulley Spacer	
109	56703742	1	Brush Motor Pulley	
110	56703743	1	Brush Motor 120V	
	56703657	1	Brush Motor 220/240V	
111	56703744	1	Belt	
112	56703745	1	Left Brush Support with Bearing	
113	56703746	1	Brush Pulley Nut	
114	56703747	1	Brush Pulley	
115		1	Brush Insert	
116	56703749	1	Brush Shaft with Insert	
117	56703750	1	Brush Shoe Plate	
118	56703751	4	Screw	
119	56703752	1	Bumper	
120	56703753	1	Brush	
121	56703754	1	Right Brush Support W/Bearing	
122	56703755	1	Spring Stop Plate	
123	56703756	1	Front Axle	
124	56703757	2	Front Wheel	
125	56703758	2	Wheel Retainer Note 1	
126	56703759	2	Wheel Cover Note 1	
127	56703760	2	Rear Wheel Note 1	
128	56703761	2	Rear Axle	
129	56703762	1	Brush Adjuster	
132	56703765	1	Bushing	
133	56703766	1	Spring	
138	56703659	1	Spring	
140	56703778	1	Plunger Note 2	
141	56703728	1	Filter (set of 2)	
142	56703777	1	Spring	
143	56703733	1	Base Housing Cover	
144	56703767	1	Handle Release Pedal	
145	56703763	1	Slide	
146	56703764	1	Brush Adjuster Knob	
148	56703667	1	Prong Support	
149	56703669	1	Retainer	
150	56703668	2	Screw	
151	56703666	2	Prong	
152	56703786	1	Spring	
153	56703670	1	Button	
154	56703788	1	Felt Seal (set of 2)	
155	56704065	2	Screw, 2.9 x 16	

Note 1: Old rear wheel arrangement consisting of three parts (56703758, 56703759 and 56703760) has been replaced with a newer wheel arrangement consisting of two parts (56704033 and 703760). Individual parts are not interchangeable, but the wheel arrangements are interchangeable. Both wheel arrangements are still available. Two wheels per machine.

Note 2: When 56703778 is ordered, the plunger kit 56100675 is sent.

* = Not Shown



Nilfisk-Advance, Inc.
14600 21st Avenue North
Plymouth, MN, 55447-3408
www.nilfisk-advance.com
Phone: 800-989-2235
Fax: 800-989-6566
©2002 Nilfisk-Advance, Inc.,
Plymouth, MN 55447-3408
Printed in the U.S.A.