

CARPETWIN 16XP

MODELS 323000, 323005, 323010

THIS PARTS LIST IS FOR MACHINES
AFTER SERIAL NUMBER 280955.

PARTS LIST



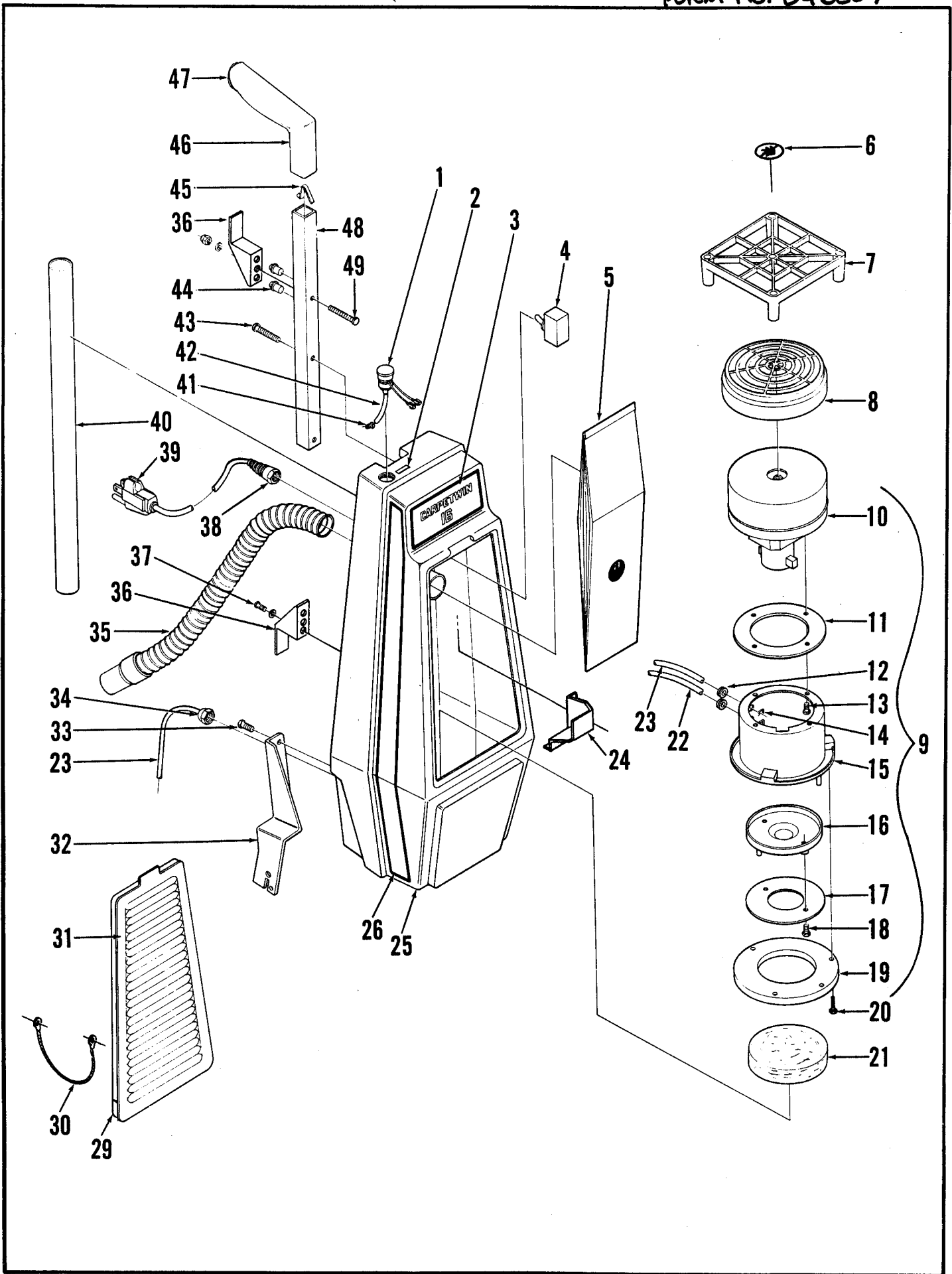
ADVANCE
MACHINE COMPANY

INTERNATIONAL HEADQUARTERS, Plymouth, MN 55447-3408
EUROPE, Llantrisant, Pontyclun, Mid-Glamorgan CF7 8YZ Wales, United Kingdom
CANADA, 1295 Crestlawn Drive, Mississauga, Ontario L4W 1A9



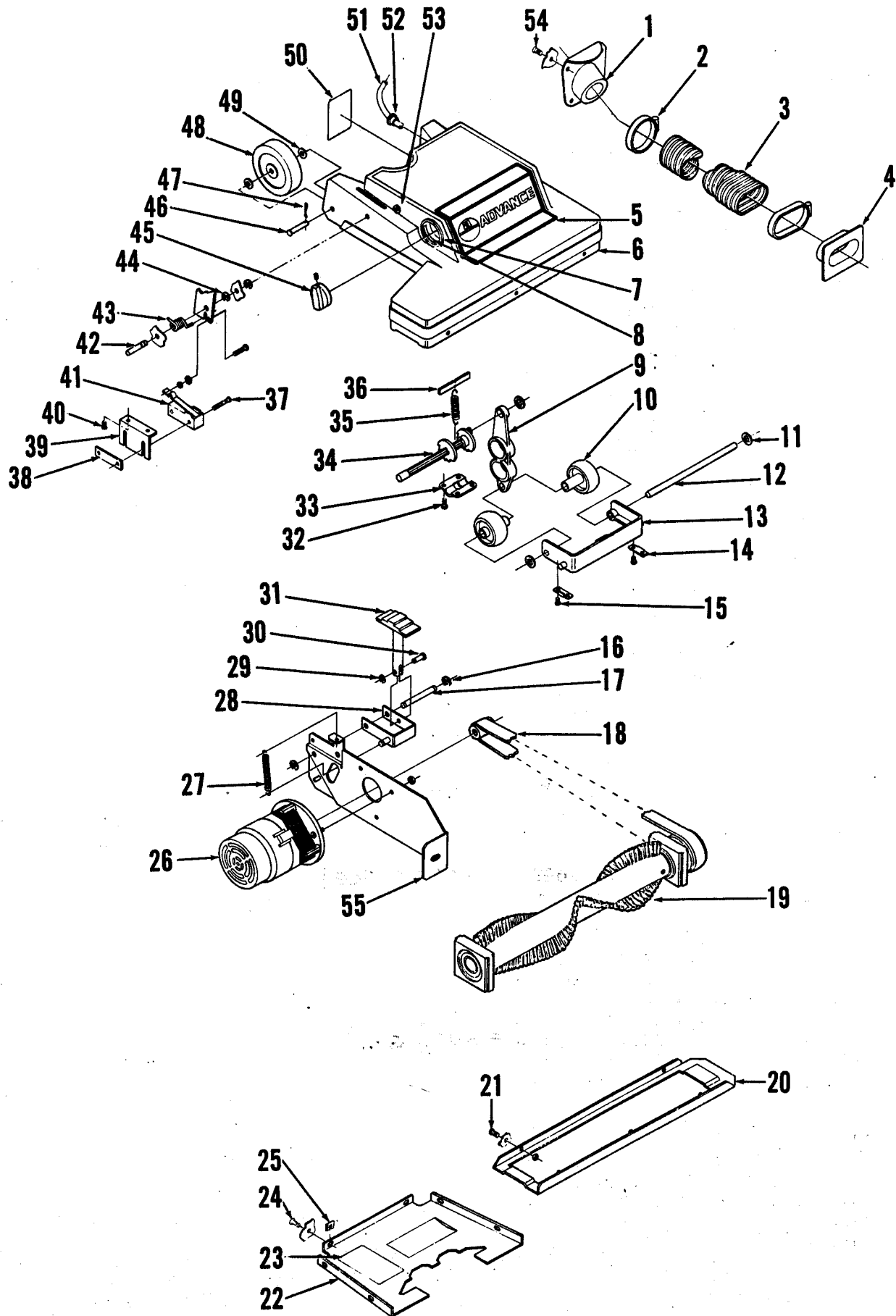
Index for Form Number 042207

Description	Location	page
Bag Housing	C6	1
Base	C8	3
Wiring Diagrams	C10	5



UPPER HOUSING

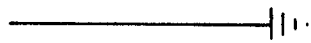
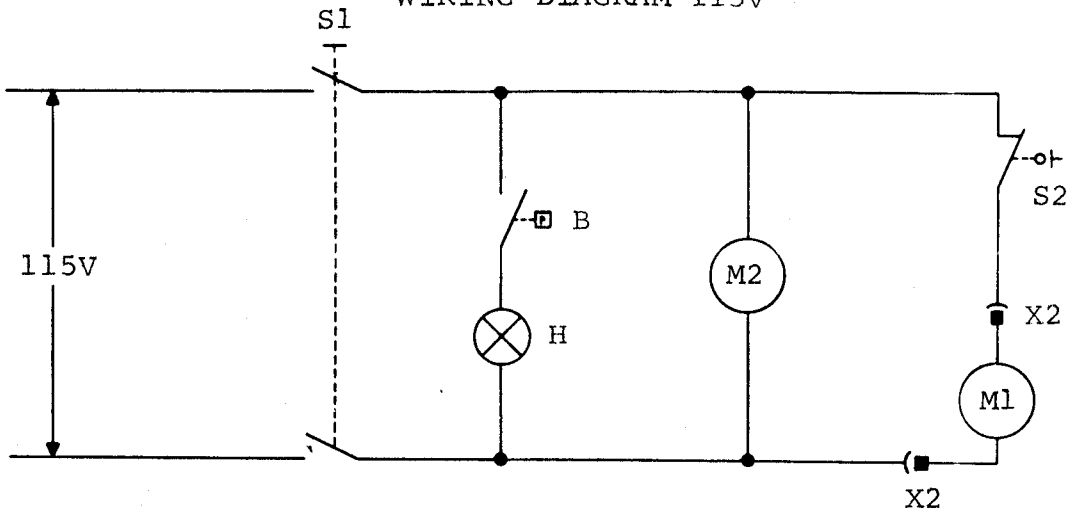
Item	Part No.	Qty	Description	Item	Part No.	Qty	Description
1	323059	1	Light 115V, 100V	25	323050	1	Vacuum Bag Housing
	323234	1	Light 230V	*	323090	1	Vac Bag Housing Shield
2	014107	1	Decal, Bag Full	26	014101	1	Decal, Right Stripe
3	014104	1	Decal, CarpeTwin 16		014102	1	Decal, Left Stripe
4	323048	1	Switch 115V, 100V	29	323113	1	Gasket
	301636	1	Switch 230V	30	323087	1	Wire Rope
5	324536	1	Paper Bag, PKG of 6	31	323026	1	Cover (includes gasket & cable)
	323121	1	Cloth Bag	32	323054	1	Right Support Bracket
	706189	1	Clip for Cloth Bag		323053	1	Left Support Bracket
6	030080	1	Decal, Hands Clear	33		4	5/16-20 x .75 Screw
7	323041	1	Bag Support	34	323067	1	Strain Relief
8	384898	1	Filter	35	323718	1	Vacuum Hose Assembly
9	323070	1	Vacuum Motor Assy 115V, 100V	36	323074	2	Cord Hook
	323232	1	Vacuum Motor Assy 230V	37		2	#10-24 x .50 Screw
10	300381	1	Vacuum Motor 115V, 100V	38	323046	1	Strain Relief TSB 507, G-11
	203518	1	Replacement Brushes for 300381	39	323060	1	Cord Set 115V
	300411	1	Vacuum Motor 230V		323112	1	Cord Set 100V
	503017	1	Replacement Brushes for 300411		301309	1	Cord Set 230V
11	209325	1	Gasket	40	323095	1	Wand
12	570206	2	Grommet	41	323045	1	Nipple
13		4	#10-24 x .38 Screw	42	323063	1	Tube
14	162981	2	Strain Relief	43		2	1/4-20 x 1.25 Screw
15	323039	1	Cup	44	361321	2	Bullet Catch
16	323044	1	Inner Baffle	45	706226	1	Snap Button
17	323049	1	Outer Baffle	46	706220	1	Handle Grip
18		2	#10-24 x .88 Screw	47	706224	1	Handle Plug
19	323064	1	Gasket	48	323062	1	Handle
20		3	#10-24 x 1 Screw	49		1	#8-32 x 1.25 Screw
21	323065	1	Exhaust Filter				
22	323058	1	Cord Assembly 115V, 100V				* = Not Shown
	323236	1	Cord Assembly 230V				
23	323057	1	Cord Assembly 115V, 100V				
	323235	1	Cord Assembly 230V				
24	323068	1	Wiring Shield				



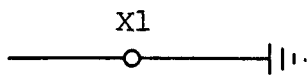
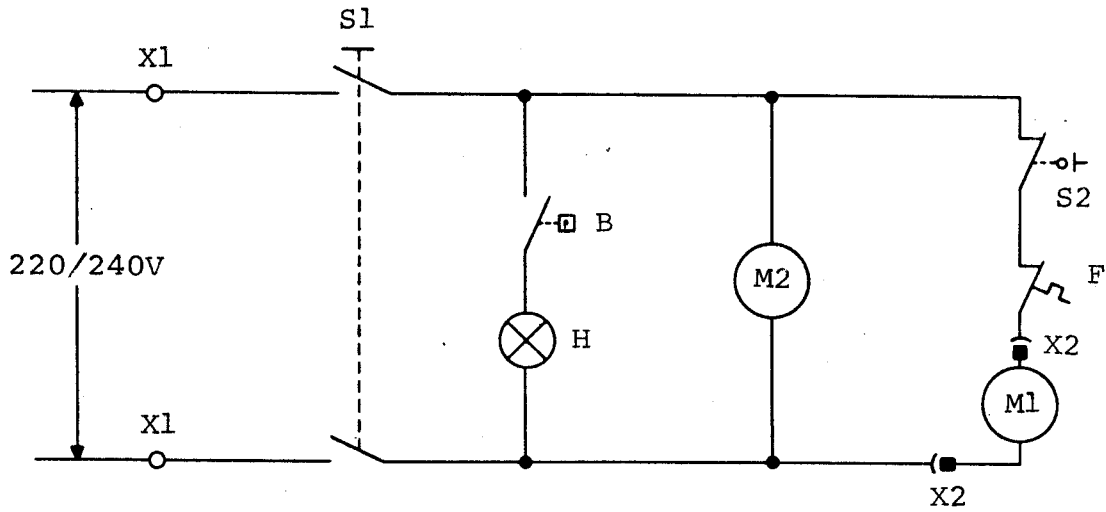
BASE ASSEMBLY

Item	Part No.	Qty	Description	Item	Part No.	Qty	Description
1	323029	1	Hose Adapter	27	321087	1	Spring
2	440213	2	Hose Clamp	28	328598	1	Latch
3	323077	1	Hose	29	321128	1	Retaining Ring
4	325527	1	Hose Adapter	30	321068	1	Pin
5	014103	1	Decal, Advance	31	323036	1	Foot Pedal
6	323069	1	Base Housing, 115V, 100V	32		4	#6-32 x .25 Screw
	323233	1	Base Housing, 230V	33	325225	1	Ratchet Retainer
7	325410	1	Knob Insert	34	323027	1	Ratchet
8	021106	1	Decal, Knob	35	320484	1	Spring
9	323038	1	Link	36	323035	1	Ratchet Catch
10	323025	2	Wheel	37		2	#6-32 x 1.25 Screw
11	325227	3	Nut	38	376015	1	Nut Plate
12	325229	1	Pivot Pin	39	321615	1	Switch Bracket
13	323028	1	Yoke	40		2	#8-32 x .50 Screw
14	325213	2	Clamp	41	388019	1	Switch
15		4	#10-24 x .50 Screw	42	323089	2	Pivot Pin
16	321125	2	Retaining Ring	43	321398	1	Torsion Spring
17	323084	1	Pin	44	321427	4	Retaining Ring
18	323021	1	Belt TSB 508, G-10	45	324502	1	Knob
19	323082	1	Brush Assembly	46	321404	2	Axle Pin
*	900137	1	Retaining Ring	47	321406	2	Cotter Pin
*	320140	2	Bearing Block	48	327530	2	Wheel
*	323031	1	Pulley	49	151041	4	washer
*	372773	2	Bearing	50	014369	1	Decal, Warning
20	325533	1	Shoe	51	323057	1	Cord Assembly 115V, 100V
21		2	#10-24 x .50 Screw		323235	1	Cord Assembly 230V
22	323083	1	Base Cover	52	163015	1	Strain Relief
23	014053	1	Decal, Wiring 115V	53	323055	2	Stop Bushing
	014460	1	Decal, Wiring 100V	54		4	#10-24 x .75 Screw
	014459	1	Decal, Wiring 230V	55	323066	1	Motor Bracket TSB 508, G-10
24		6	#8-32 x .62 Screw				
25	329575	6	Spring Nut				* = Included in Brush Assembly
26	323051	1	Motor 115V TSB 657, G-2				
	323097	1	Carbon Brushes for 323051				
	323093	1	Motor 100V				
	503020	1	Carbon Brushes for 323093				
	323094	1	Motor 230V				
	503016	1	Carbon Brushes for 323094				
	323024	1	Pulley TSB 518, G-9				

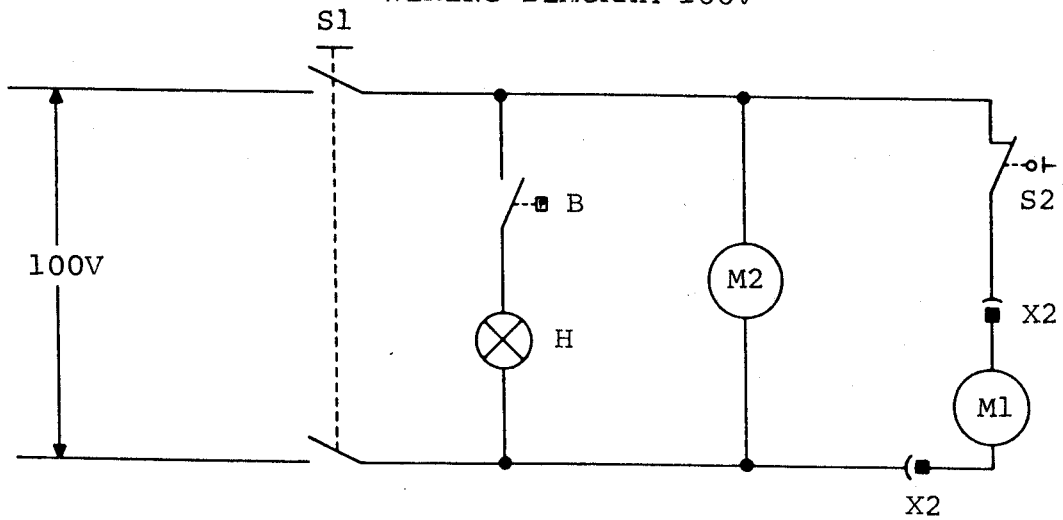
WIRING DIAGRAM 115V



WIRING DIAGRAM 230V



WIRING DIAGRAM 100V



WIRING DIAGRAMS

115 VOLT

#	PN	QTY	DESCRIPTION
S1	323048	1	MAIN SWITCH
	323059	1	LIGHT/VAC SWITCH ASSEMBLY
H		1	LIGHT
B		1	VACUUM SWITCH
M2	300381	1	VACUUM MOTOR
S2	388019	1	BRUSH MOTOR SWITCH
X2		1	CONNECTOR
	900214	1	SOCKET
	900218	1	PLUG
M1	323051	1	BRUSH MOTOR

240 VOLT

#	PN	QTY	DESCRIPTION
X1	183523	1	TERMINAL BLOCK
S1	301636	1	MAIN SWITCH
	323059	1	LIGHT/VAC SWITCH ASSEMBLY
H		1	LIGHT
B		1	VACUUM SWITCH
M2	300411	1	VACUUM MOTOR
S2	388019	1	BRUSH MOTOR SWITCH
F	290427	1	CIRCUIT BREAKER
X2		1	CONNECTOR
	900214	1	SOCKET
	900218	1	PLUG
M1	323094	1	BRUSH MOTOR

100 VOLT

#	PN	QTY	DESCRIPTION
S1	323048	1	MAIN SWITCH
	323059	1	LIGHT/VAC SWITCH ASSEMBLY
H		1	LIGHT SWITCH
B		1	VACUUM SWITCH
M2	300381	1	VACUUM MOTOR
S2	388019	1	BRUSH MOTOR SWITCH
X2		1	CONNECTOR
	900214	1	SOCKET
	900218	1	PLUG
M1	323093	1	BRUSH MOTOR