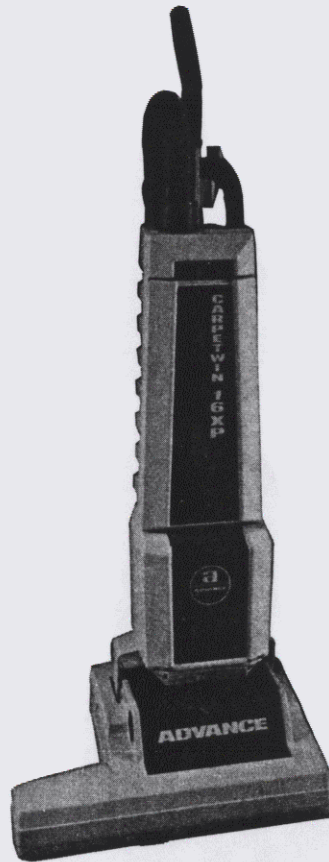


# CARPETWIN 16XP

MODELS 323002, 323015, 323006

THIS PARTS LIST IS FOR MACHINES  
AFTER SERIAL NUMBER 445585

# PARTS LIST



**ADVANCE**  
**MACHINE COMPANY**

INTERNATIONAL HEADQUARTERS, Plymouth, MN 55447-3408  
EUROPE, Llantrisant, Pontyclun, Mid-Glamorgan CF7 8YZ Wales, United Kingdom  
CANADA, 1295 Crestlawn Drive, Mississauga, Ontario L4W 1A9



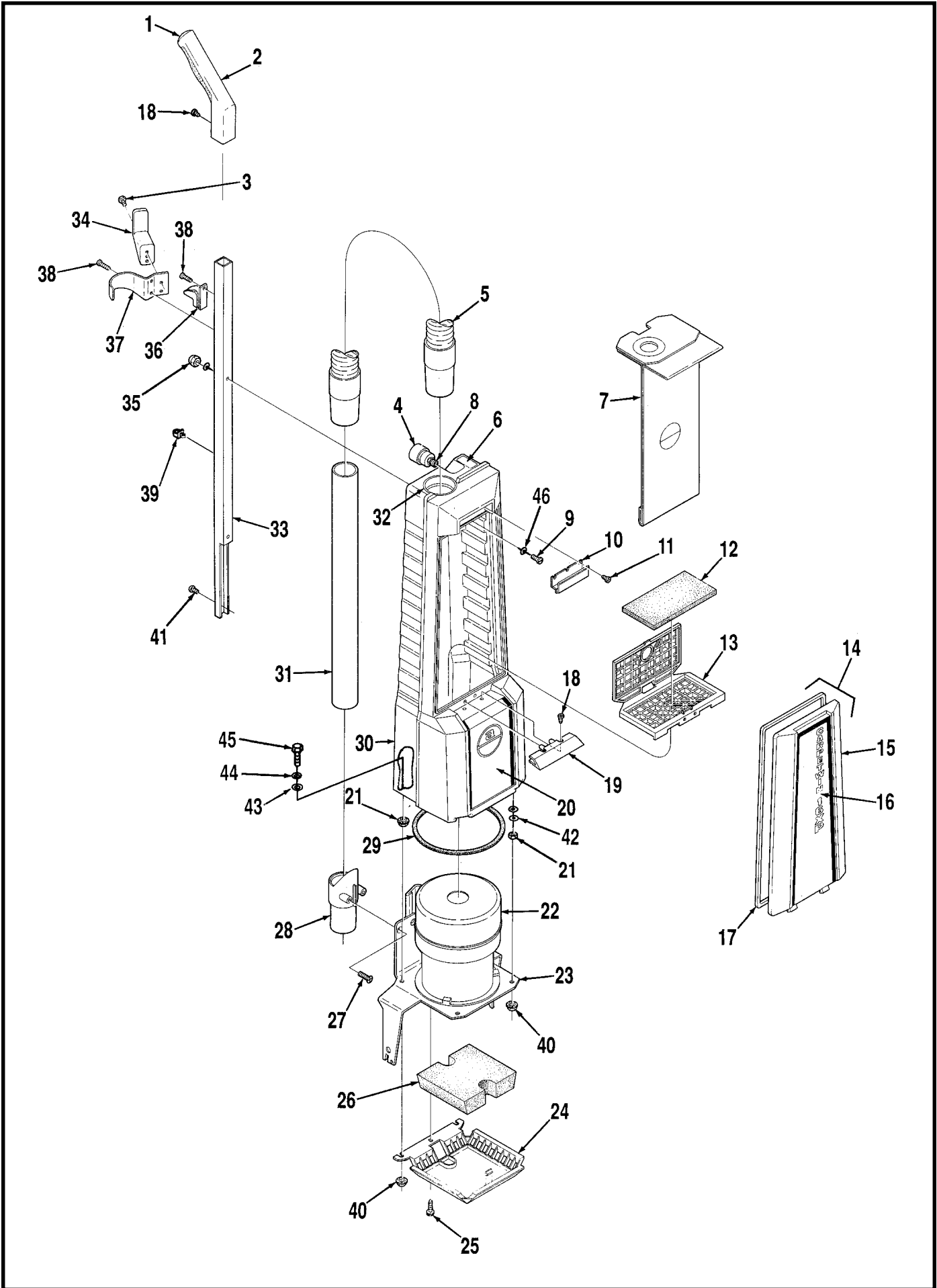
# TABLE OF CONTENTS

<u>DESCRIPTION</u>	<u>PAGE</u>
Upper Housing .....	1-2
Vacuum Motor Assembly .....	3-4
Base Assembly .....	5-6
Wiring Diagrams .....	7-8

## WHEN ORDERING PARTS

- \* Use the 6 digit numbers from the "Part No." columns in this parts list.
- \* Specify the model and serial number of the machine.
- \* Use the space below to record the model and serial number for future reference.

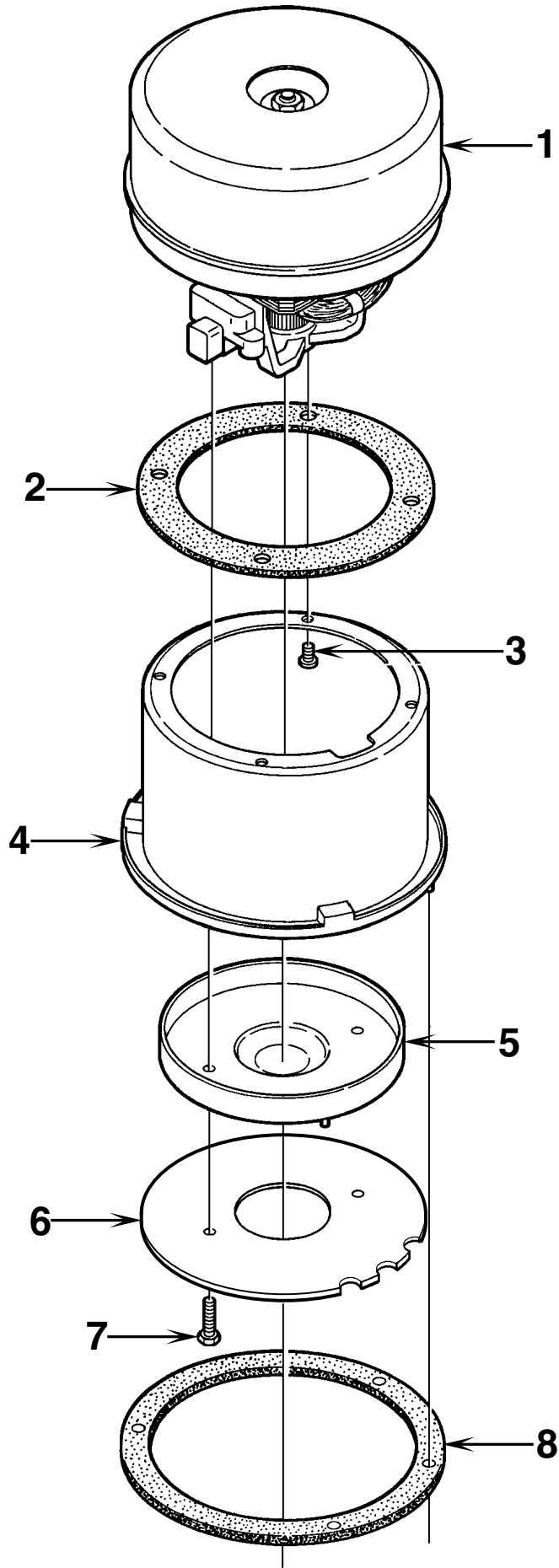
Model \_\_\_\_\_ Serial No. \_\_\_\_\_



## UPPER HOUSING

Item	Part No.	Qty	Description
	323174	1	Upper Housing Assembly (#1-21, 30-38)
1	706224	1	Plug
2	706220	1	Handle Grip
3		2	#10-24 x 1/4 Screw
4	323170	1	Indicator
5	323167	1	Vacuum Hose
6	015069	1	Decal, Full Bag
7	323153	1	Paper Filter Bag (pkg of 6)
*	323195	1	Cloth Bag
*	320676	1	Clip for Cloth Bag
*	323251	1	Bio-Bag™ (pkg of 6) (optional accessory, not included)
8	750746	1	Nipple
9		2	1/4-20 x 1-1/4 Screw
10	323143	1	Latch <b>TSB 561 - G7</b>
11	900484	3	Screw
12	323158	1	Internal Filter
13	323161	1	Internal Filter Housing
14	323152	1	Cover Assembly (#15-17) <b>TSB 562 - G6</b>
15	323151	1	Cover
16	014947	1	Decal, Carpetwin 16XP
17	323165	1	Gasket
18		3	#10-24 x 1/2 Screw
*		2	#10-24 Whiz Nut
19	323146	1	Stop
20	014945	1	Decal, Housing
21		4	5/16-18 Nut
22			SEE PAGE 3
23	323140	1	16" Yoke
24	323160	1	Exhaust Filter Retainer
25		3	#10-24 x 3/4 Screw
26	323275	1	Exhaust Filter
27	900287	2	Screw
28	323148	1	Wand Holder
29	323157	1	Yoke Gasket
30	323139	1	Housing <b>TSB 697, G-1</b>
31	323141	1	Wand
32	323142	1	Bag Fill Tube
33	100029	1	Handle Tube
34	323074	1	Cord Hook
35		2	1/4-20 Acorn Nut
36	706287	1	Clip
37	323171	1	Hose Bracket
38		3	#10-24 x 3/8 Screw
39	323179	2	Clip
40		4	5/16-18 Jam Nut
41		1	1/4-20 x 3/8 Screw
42		8	5/16 Washer
43	323013	4	Washer
44		4	5/16 Shakeproof Washer
45		4	5/16-18 x 1 Bolt
46		4	1/4 Washer

\* = Not Shown

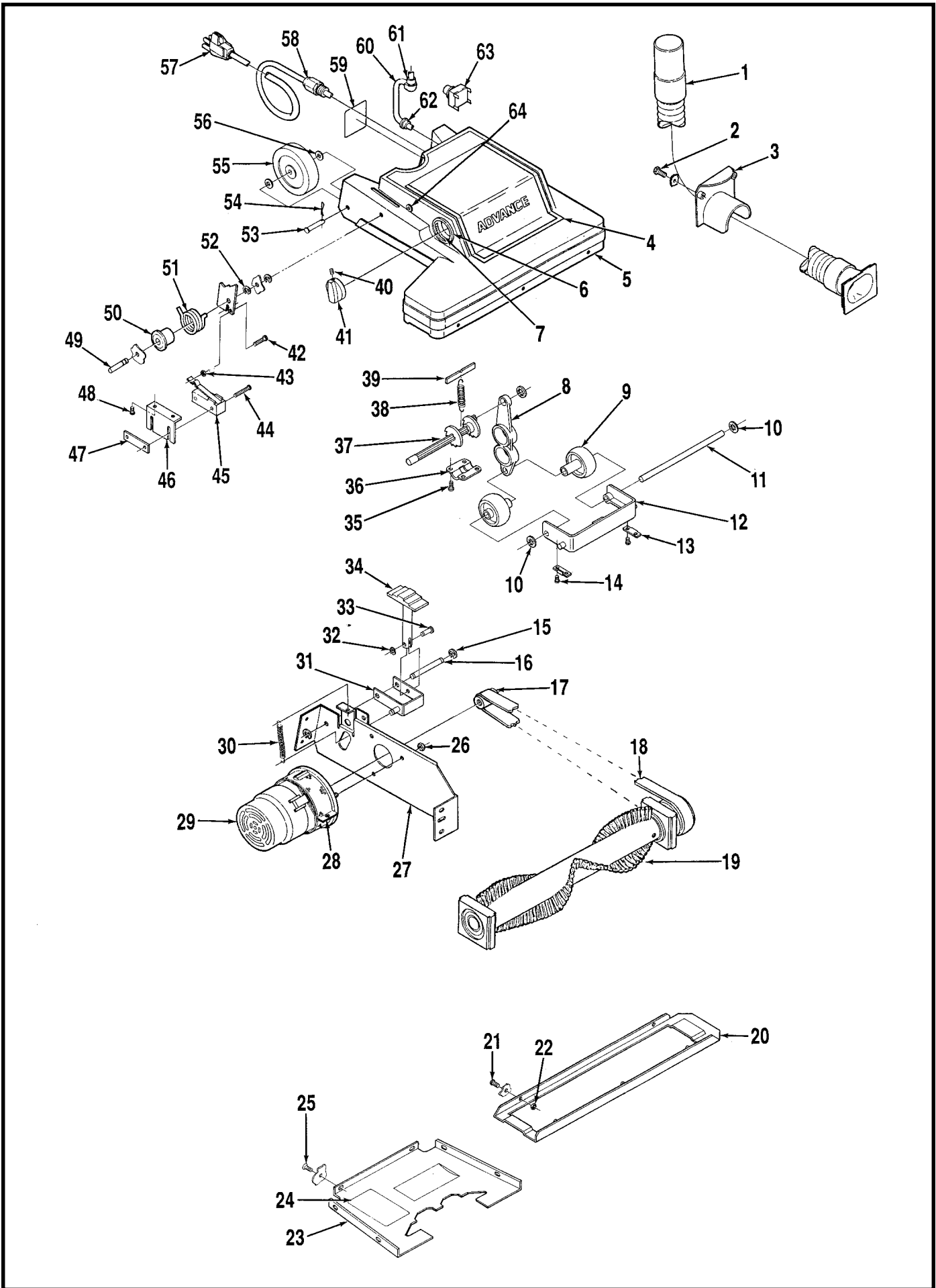


## VACUUM MOTOR ASSEMBLY

Item	Part No.	Qty	Description
1	323177	1	Vacuum Motor 100V, 120V
*	203518	1	Carbon Brush Set for 323177
	323242	1	Vacuum Motor 230V
*	503017	1	Carbon Brush Set for 323242
2	209325	1	Motor Gasket
3		4	#10-24 x 3/8 Screw
4	323173	1	Vacuum Motor Cup
5	323044	1	Inner Baffle
6	323009	1	Outer Baffle <b>SEE NOTE 1</b>
7		2	#10-24 x 7/8 Screw
8	323164	1	Cup Gasket
*	250150	1	Ground Wire
*	014119	1	Decal, Ground 230V

\* = Not Shown

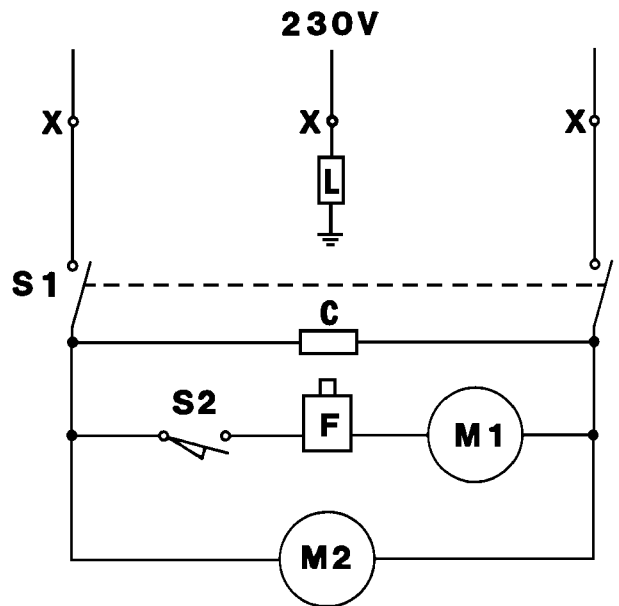
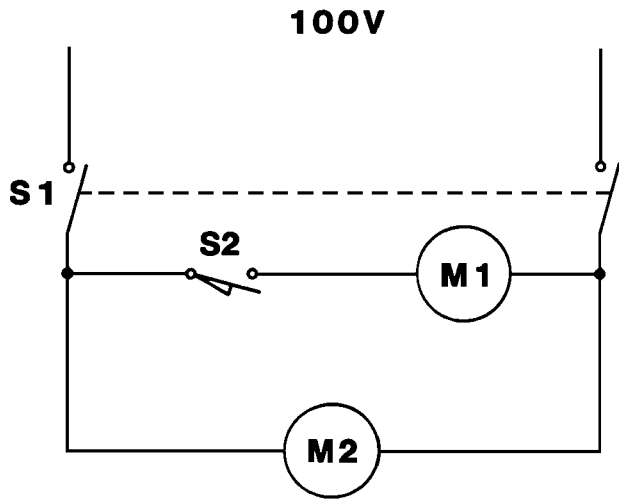
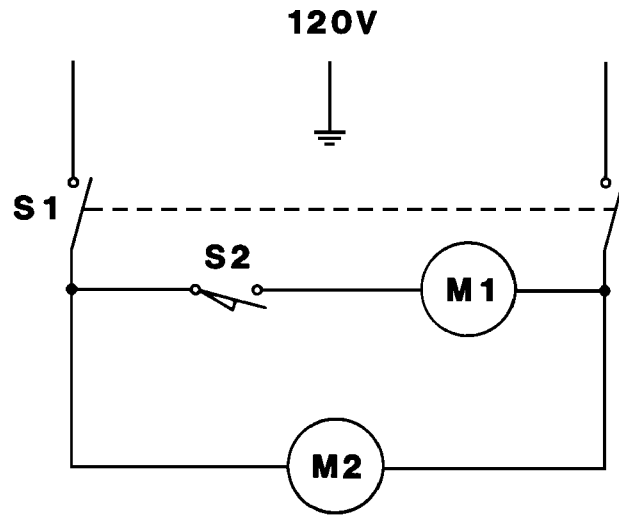
**NOTE 1:** Install the lip on outer baffel, item #6, turned away from the Vac motor.



# BASE ASSEMBLY

Item	Part No.	Qty	Description	Item	Part No.	Qty	Description
1	323168	1	Hose	41	324502	1	Knob
2	900238	2	Screw	42		3	#8-32 x 7/8 Screw
3	323176	1	Baffle	43		1	#8-32 Nut
4	015071	1	Decal, Advance	44		2	#6-32 x 7/8 Screw
5	323169	1	Housing Assy (#4-7)100V,120V	45	388019	1	Brush Motor Switch
	323241	1	Base Housing 230V				<b>TSB623, G-5</b>
6	325410	1	Knob Insert	46	321615	1	Bracket
7	021106	1	Decal, Knob	47	376015	1	Nut Plate
8	323038	1	Link	48		2	#8-32 x 3/8 Screw
9	323025	2	Wheel	49	323089	2	Pivot Pin
10	325227	3	Nut	50	323124	1	Bushing
11	325229	1	Pivot Pin	51	323123	1	Torsion Spring
12	323028	1	Yoke	52	321427	4	Retaining Ring
13	325213	2	Clamp	53	321404	2	Axle Pin
14		4	#10-24 x 1/2 Screw	54	321406	2	Cotter Pin
15	321125	2	Retaining Ring	55	327530	2	Wheel
16	323084	1	Pin	56	151041	4	Washer
17	323156	1	Motor Pulley	57	323225	1	Cord Set 100V
18	323021	1	Belt		323209	1	Cord Set 120V
19	323082	1	Brush Assembly		301309	1	Cord Set 230V
**	900137	1	Retaining Ring	58	323135	1	Strain Relief
**	320140	2	Bearing Block	*	171094	1	Lock Nut
**	323031	1	Brush Pulley	59	014820	1	Decal, Warning
**	372773	1	Bearing	60	323210	1	Cord 100V, 120V
20	325530	1	Shoe				<b>TSB 626, G-4</b>
21		5	#10-24 x 3/8 Screw		323238	1	Cord 230V
22		5	#10-24 Whiz Nut	61	185504	1	Strain Relief
23	323133	1	Base Cover	62	163015	1	Strain Relief <b>TSB 626, G-4</b>
24	015097	1	Decal, Wiring 100V	63	323741	1	Main Switch
	015301	1	Decal, Wiring 120V (Canadian only)	64	323055	2	Stop Bushing
	015047	1	Decal, Wiring 120V	*	290425	1	Circuit Breaker 1.5A (Canadian only)
	015147	1	Decal, Wiring 230V	*	290427	1	Circuit Breaker 230V
25	900267	5	Screw	*	183523	1	Terminal Block 230V
26		3	#8-32 Nut				
27	323183	1	Motor Bracket				* = Not Shown
28	323340	1	Screen				** = Included in Brush Assembly 323082
29	323093	1	Brush Motor 100V				
	323051	1	Brush Motor 120V <b>TSB 657, G-2</b>				
*	323097	1	Carbon Brush Set for 323093 and 323051				
*	323094	1	Brush Motor 230V				
*	503016	1	Carbon Brush Set for 323094				
30	321087	1	Spring				
31	328598	1	Latch				
32	321128	1	Retaining Ring				
33	321068	1	Pin				
34	323036	1	Pedal				
35		2	#6-32 x 3/8 Screw				
36	325225	1	Ratchet Retainer				
37	323027	1	Ratchet				
38	320484	1	Spring				
39	323035	1	Ratchet Catch				
40		1	#8-32 x 1/4 Set Screw				





## 120V WIRING DIAGRAM

Item	Part No.	Qty	Description
S1	323741	1	Main Switch
S2	388019	1	Brush Motor Switch <b>TSB 623, G-5</b>
M1	323051	1	Brush Motor
M2	323177	1	Vacuum Motor

## 100V WIRING DIAGRAM

Item	Part No.	Qty	Description
S1	323741	1	Main Switch
S2	388019	1	Brush Motor Switch <b>TSB 623, G-5</b>
M1	323051	1	Brush Motor
M2	323177	1	Vacuum Motor

## 230V WIRING DIAGRAM

Item	Part No.	Qty	Description
X	183523	1	Terminal Block
L	323592	1	Suppression Choke
C	323265	1	Capacitor
S1	323741	1	Main Switch
S2	388019	1	Brush Motor Switch <b>TSB 623, G-5</b>
F	290427	1	Circuit Breaker
M1	323094	1	Brush Motor