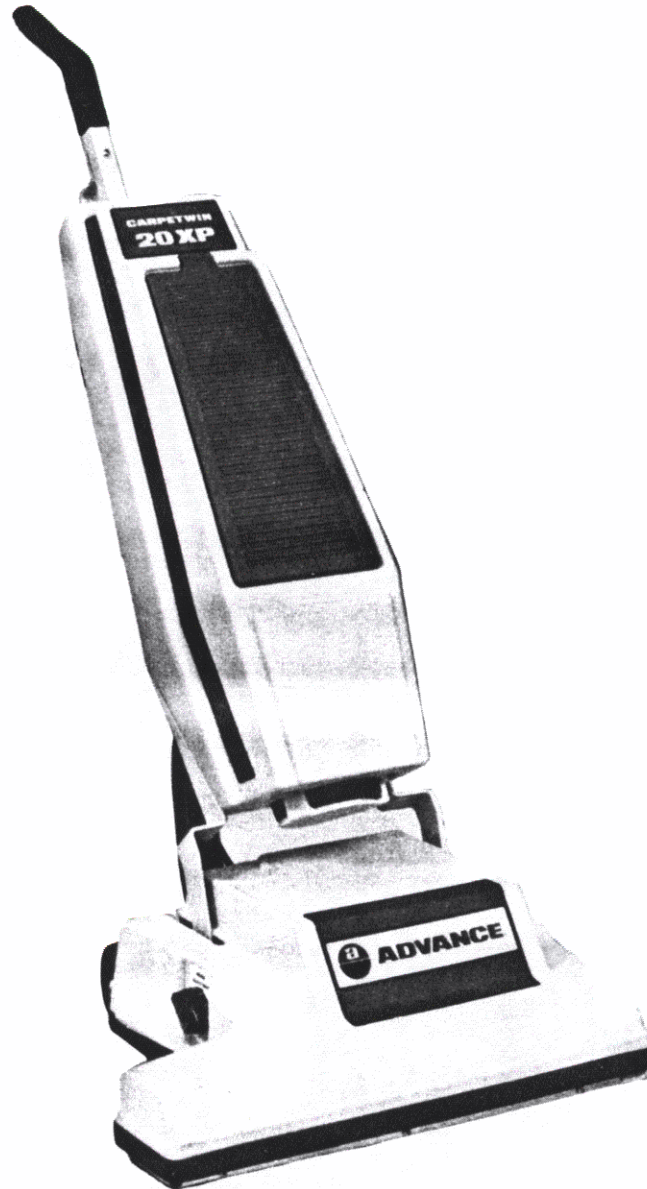


# CARPETWIN 20XP

MODEL 323300, 323305, 323310

THIS PARTS LIST IS FOR MACHINES  
AFTER SERIAL NUMBER 318257.

# PARTS LIST



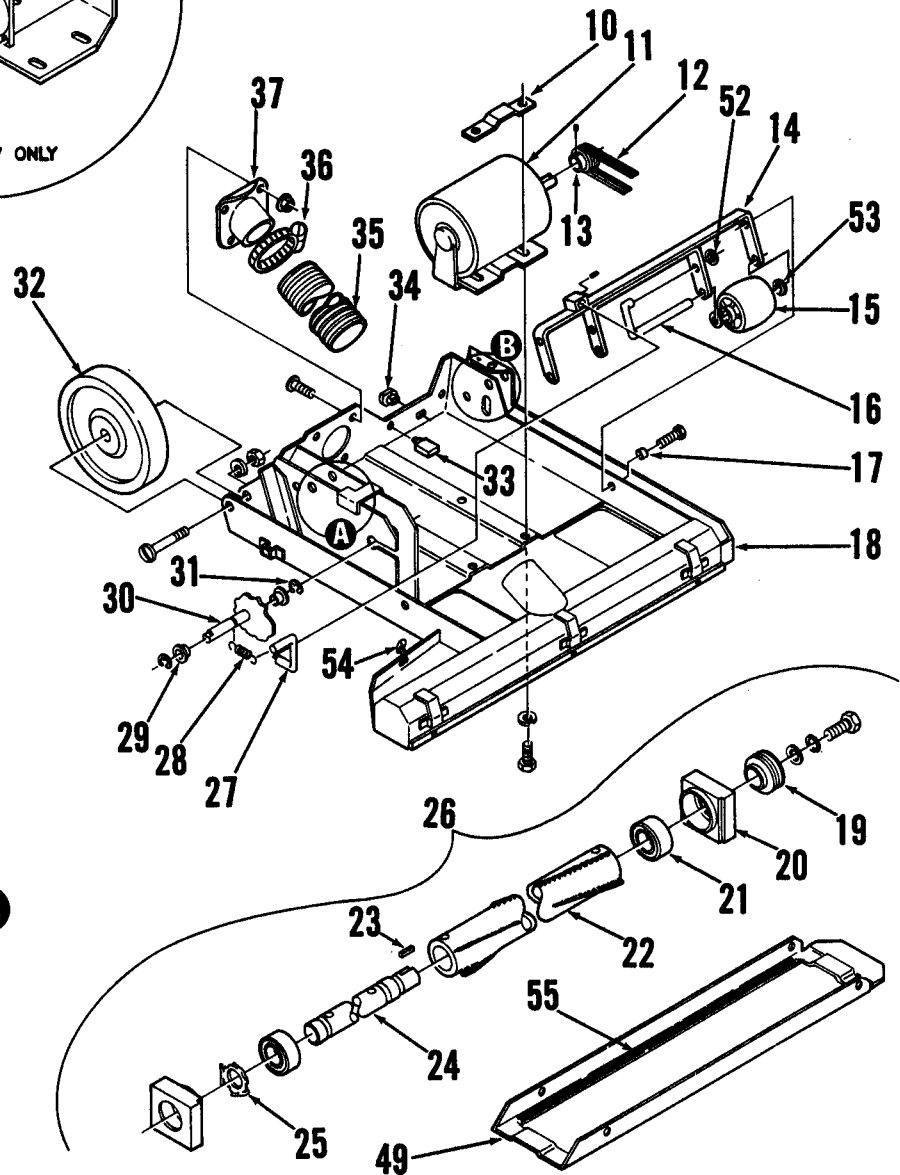
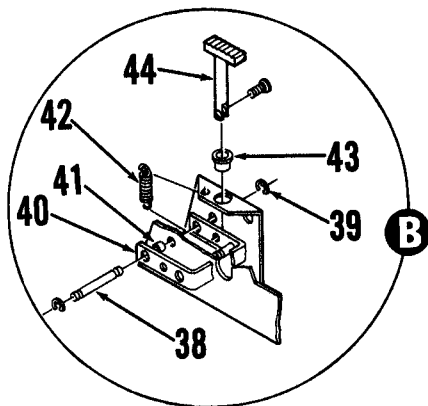
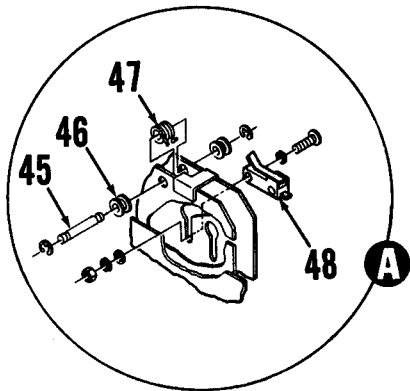
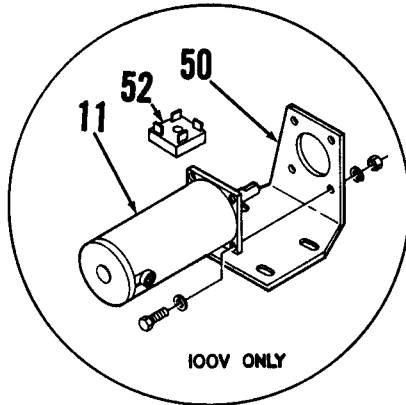
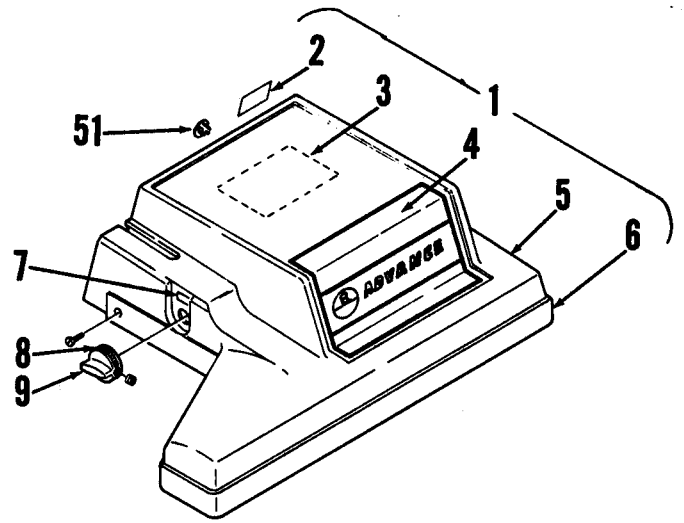
**ADVANCE**  
MACHINE COMPANY

INTERNATIONAL HEADQUARTERS, Plymouth, MN 55447-3408  
EUROPE, Llantrisant, Pontyclun, Mid-Glamorgan CF7 8YZ Wales, United Kingdom  
CANADA, 1295 Crestlawn Drive, Mississauga, Ontario L4W 1A9



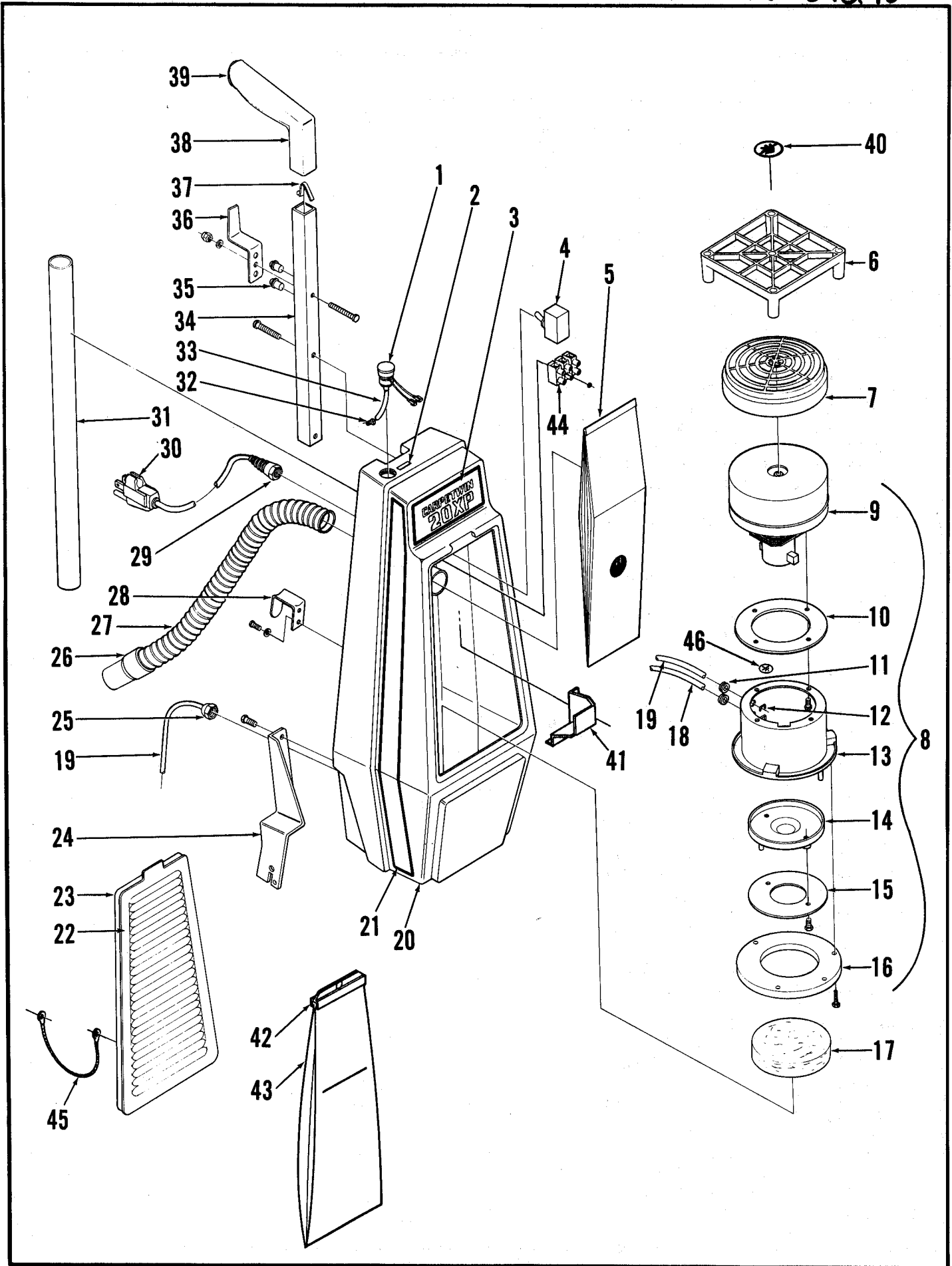
## INDEX FOR FORM NUMBER 042195

<u>Description</u>	<u>Location</u>	<u>Page</u>
Bag Housing	B10	3
Base	B8	1
Motor, Vacuum	B12	5
Wiring Diagrams	B13	6



## BASE ASSEMBLY

#	PN	QTY	DESCRIPTION
1	323335	1	SHROUD ASSY 100V (#2-7)
	323325	1	SHROUD ASSY 115V (#2-7)
	323332	1	SHROUD ASSY 230V (#2-7)
2	014369	1	DECAL, WARNING
3	014527	1	DECAL, WIRING 100V
	014521	1	DECAL, WIRING 115V
	014523	1	DECAL, WIRING 230V
4	014509	1	DECAL, ADVANCE
5	323323	1	SHROUD
6	326992	1	BUMPER
7	023290	1	DECAL, BRUSH ADJ.
8	023288	1	DECAL, KNOB ADJ.
9	324502	1	KNOB
10	218065	2	NUTPLATE
11	238147	1	MOTOR 115V - 60 CY
	228428	1	MOTOR 100V
	228434	1	CARBON BRUSHES FOR 100V MOTOR (SET)
	238155	1	MOTOR 230V
12	327476	1	POLY-V BELT
13	327131	1	POLY-V SHEAVE
14	327607	1	AXLE WELDMENT
15	323086	2	HEIGHT ADJ. WHEEL
16	327668	1	AXLE ROLLER
17	151106	2	BUSHING
18	323326	1	BASE WELDMENT
19	327182	1	PULLEY
20	322420	2	BLOCK BEARING
21	372773	2	BEARING
22	327255	1	BRUSH
23	109258	1	KEY
24	327166	1	TUBE ASSY
25	320153	1	LOADING SPRING
26	327272	1	BRUSH ASSY (#19-25)
27	327657	1	AXLE LEVER
28	330642	1	SPRING
29	329105	2	BEARING
30	328058	1	CAM WELDMENT
31	321427	6	RETAINING RING
32	327530	2	WHEEL
33	329185	1	CIRCUIT BREAKER 2.7A
34	163015	1	STRAIN RELIEF
35	323329	1	HOSE ADAPTOR
36	440213	2	HOSE CLAMP
37	323029	1	HOSE ADAPTOR
38	328707	1	PIN
39	321125	4	RETAINING RING
40	328561	1	LATCH ASSY
41	328758	1	BUSHING
42	328790	1	SPRING
43	328723	1	BUSHING
44	328562	1	PEDAL ASSY
45	329054	2	PIN
46	329098	4	NYLON BUSHING
47	321397	1	SPRING
48	327450	1	SWITCH
49	326934	1	SHOE
50	326522	1	MOTOR MOUNT BRACKET
51	171369	1	BUTTON PLUG
52	180162	1	RECTIFIER



## UPPER HOUSING

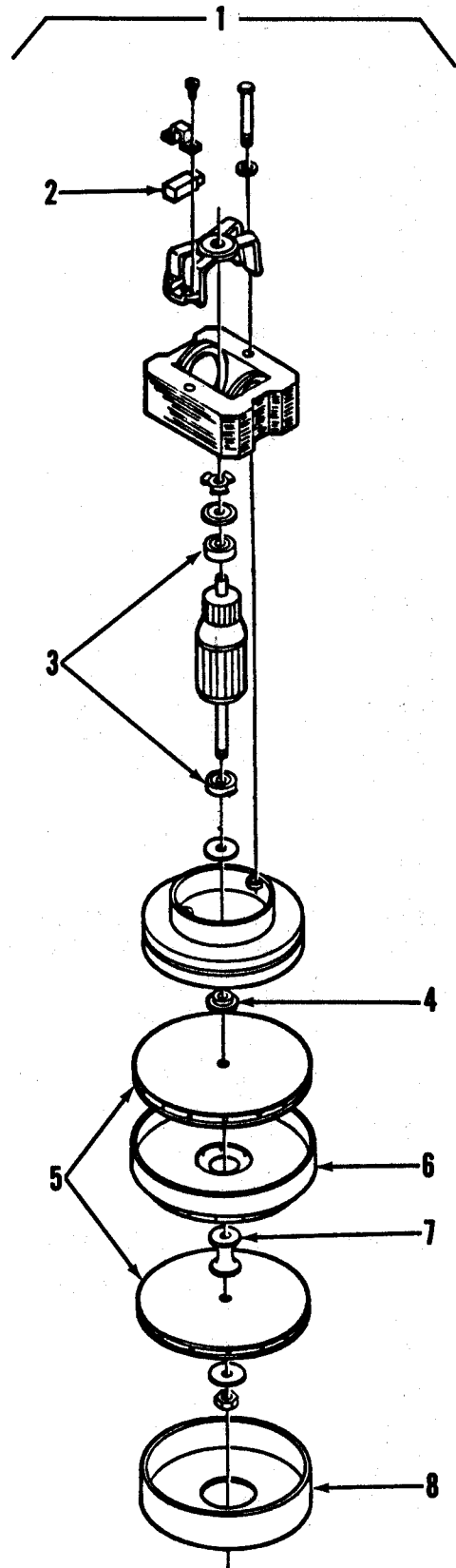
#	PN	QTY	DESCRIPTION	#	PN	QTY	DESCRIPTION
1	323059	1	LIGHT 100V, 115V	37	706226	1	SNAP BUTTON
	323234	1	LIGHT 230V	38	706220	1	HANDLE GRIP
2	014107	1	DECAL, BAG FULL	39	706224	1	HANDLE PLUG
3	014510	1	DECAL, CARPETWIN	40	030080	1	DECAL, HANDS CLEAR
4	323048	1	SWITCH 100V, 115V	41	323068	1	WIRING SHIELD
	323636	1	SWITCH 230V	42	320676	1	BAG CLIP
5	324536	1	PAPER BAG 6 PK	43	324530	1	CLOTH BAG
6	323041	1	BAG SUPPORT	44	183523	1	TERMINAL BLOCK
7	384898	1	FILTER	45	323087	1	WIRE ROPE
8	323070	1	MOTOR ASSY 100V, 115V	46	014119	1	DECAL, GRD.
	323232	1	MOTOR ASSY 230V				
9	300381	1	MOTOR 100V, 115V				
	300411	1	MOTOR 230V				
10	209325	1	GASKET				
11	570206	2	GROMMET				
12	162981	2	STRAIN RELIEF				
13	323039	1	CUP				
14	323044	1	INNER BAFFLE				
15	323049	1	OUTER BAFFLE				
16	323064	1	GASKET				
17	323065	1	EXHAUST FILTER				
18	323058	1	CORD ASSY 100V, 115V				
	323236	1	CORD ASSY 230V				
19	323057	1	CORD ASSY 100V, 115V				
	323235	1	CORD ASSY 230V				
20	323050	1	UPPER HOUSING 100V, 115V				
	323020	1	UPPER HOUSING 230V				
	323334	1	UPPER HOUSING ASSY 100V				
	323320	1	UPPER HOUSING ASSY 115V				
	323333	1	UPPER HOUSING ASSY 230V				
21	014101	1	DECAL, RIGHT STRIPE				
	014102	1	DECAL, LEFT STRIPE				
22	323026	1	COVER				
23	323113	1	GASKET				
24	323322	1	RIGHT SUPPORT BRACKET				
	323321	1	LEFT SUPPORT BRACKET				
25	323067	1	STRAIN RELIEF				
26	323081	1	HOSE CUFF				
27	323023	1	VACUUM HOSE				
28	323073	1	CORD HOOK				
29	323046	1	STRAIN RELIEF TSB 507, G-12				
30	323338	1	CORD SET 115V				
	323112	1	CORD SET 100V				
	330734	1	CORD SET 230V				
31	323095	1	WAND				

OPTIONAL TOOLS (NOT SHOWN)

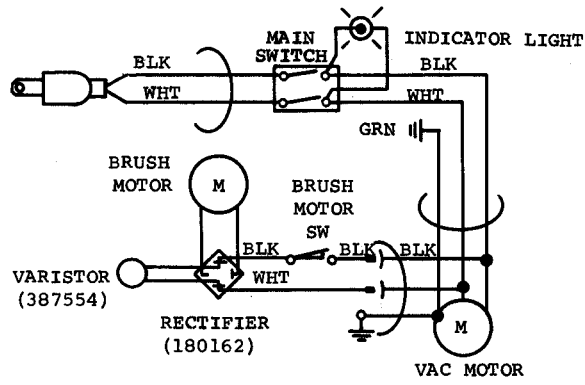
322059	3"	ROUND DUSTING TOOL
322040	5"	UPHOLSTERY TOOL
322032	5"	ROUND DUSTING TOOL
32	323045	1 NIPPLE
33	323063	1 TUBE
34	323062	1 HANDLE TUBE
35	361321	2 BULLET CATCH
36	323074	1 CORD HOOK

VACUUM MOTOR

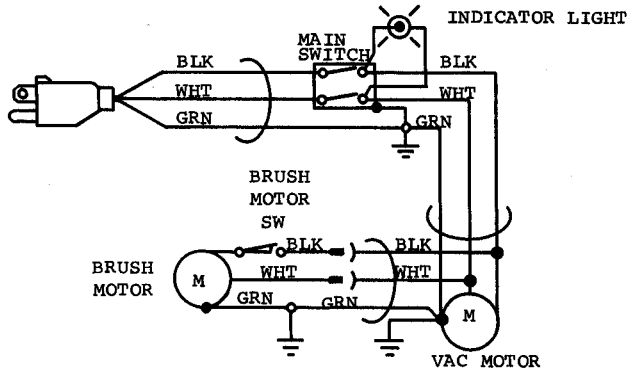
#	PN	QTY	DESCRIPTION
1	300381	1	VAC MOTOR 115 VOLT
	300411	1	VAC MOTOR 230 VOLT
2	203518	1	MOTOR BRUSH SET OF 2
3	228051	2	BALL BEARING
4	203424	1	SPACER
5	208191	2	ROTATING FAN
6	207268	1	STATIONARY FAN
7	203516	1	SPACER
8	203491	1	FAN SHELL



100 VOLT



115 VOLT



230 VOLT

