

CARPETWIN

Model No. 214 A

Form No. 2A-083

June 1, 1973

AFTER

SER #289361

PARTS LIST

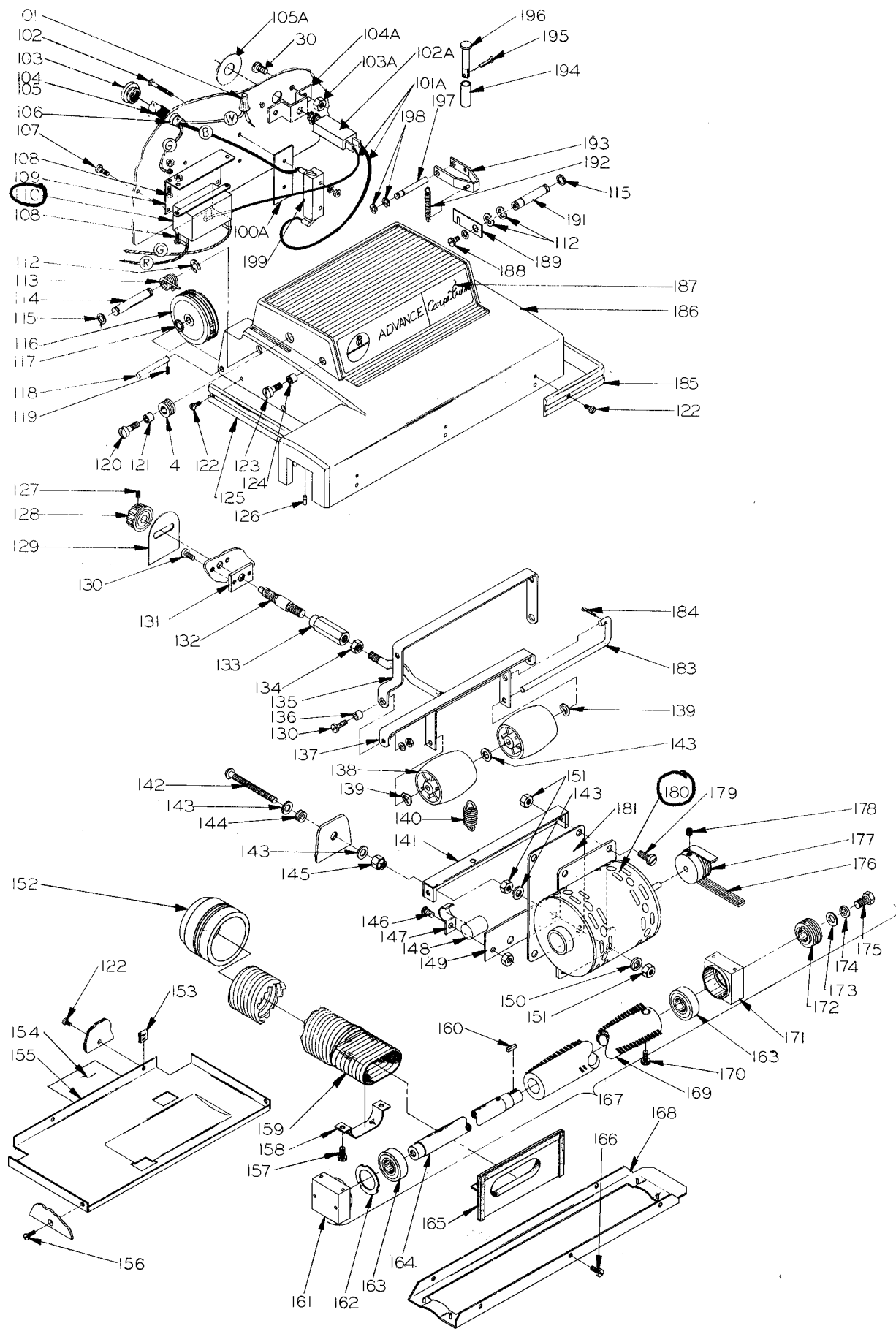


ADVANCE MACHINE COMPANY
Spring Park, Minnesota 55384

ADVANCE MACHINE COMPANY CANADA LIMITED
45 Iron Street, Rexdale, Ontario, Canada

INDEX FOR FORM NUMBER 2A-083

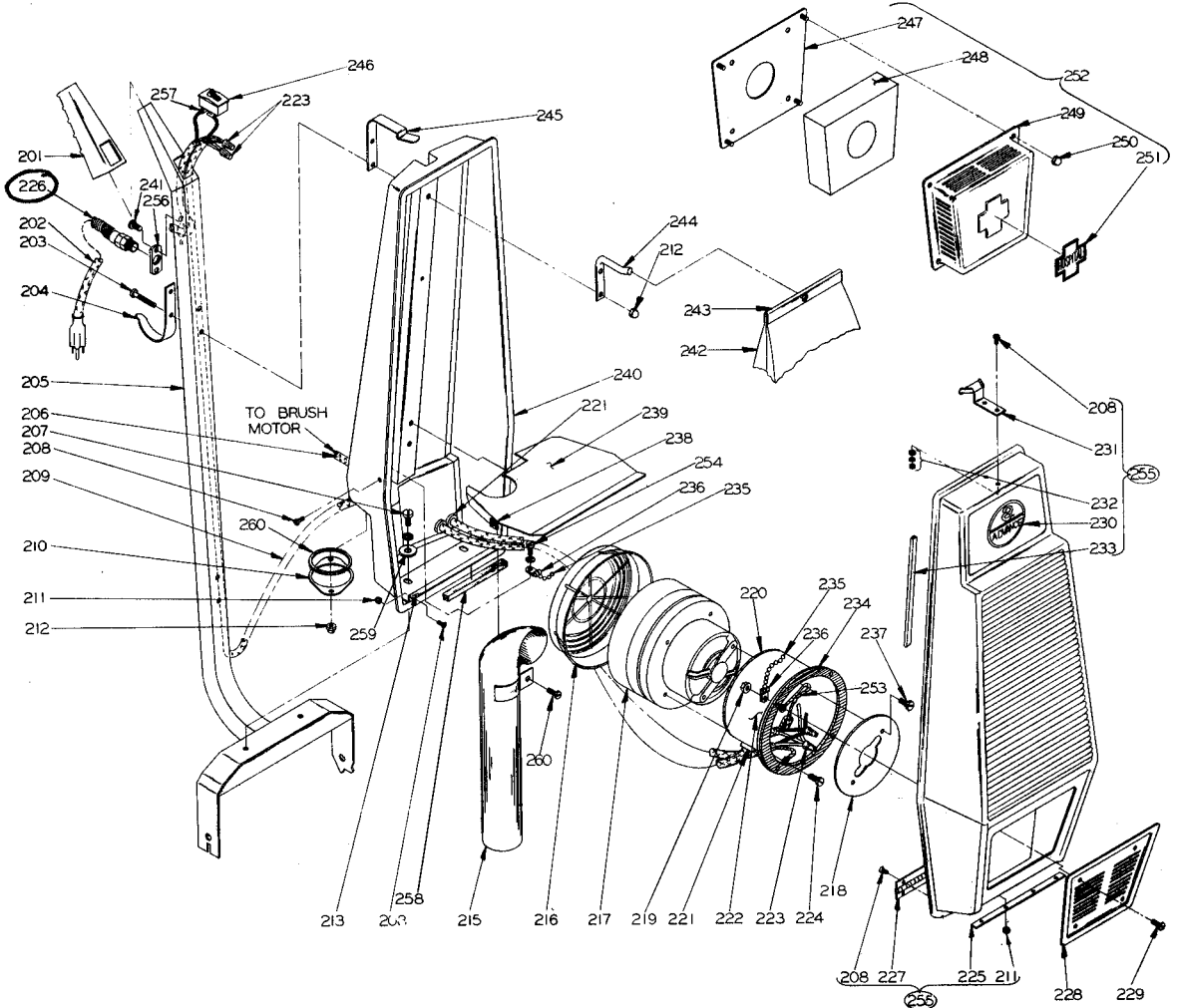
<u>Description</u>	<u>Location</u>	<u>Page</u>
Bag Housing	E1	3
Base	D13	1
Motor, Vacuum	E2	4



MAIN HOUSING ASSEMBLY

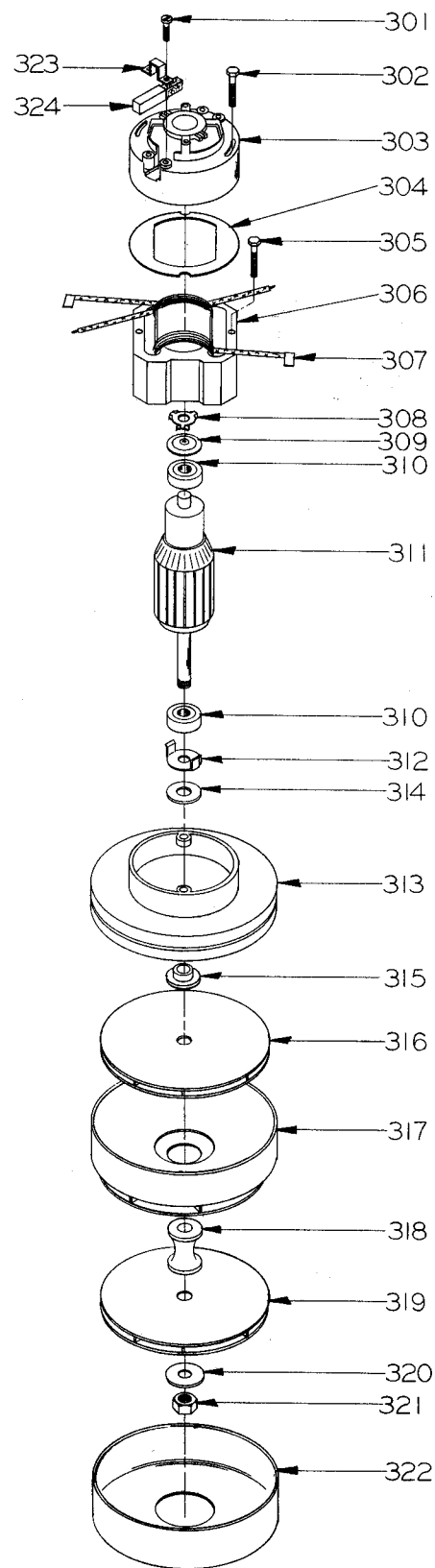
ITEM	PART NO.	QTY.	DESCRIPTION	ITEM	PART NO.	QTY.	DESCRIPTION
101	321 737	1	WIRE NUT, 115V	163	372 773	2	BEARING (apa)
	*324 471	2	TERMINAL BLOCK, 230V	164	320 226	1	SHAFT
	*324 470	1	END CAP, 230V	165	325 195	1	PLATE W/GASKET
102		2	SCREW, Pan Hd. 6-32 X 1 W/Nut & Lkw.	166		5	SCREW, Pan Hd. Mach. 8-32 X 5/16
103	321 540	3	GROMMET	167	322 288	1	BRUSH ASSEMBLY
104	300 602	1	TUBING, 3" 230V Only	168	325 184	1	SHOE WELDMENT
105	300 227	1	POWER CORD, 230V Only	169	320 269	1	BRUSH
106	163 015	1	STRAIN RELIEF, 115V	170		2	SCREW, Socket Cap 10-24 X 1/2
	*300 542	1	CLAMP, Top 230V	171	320 137	1	BLOCK, Bearing, Left
	*300 540	1	BRACKET, Bottom 230V	172	322 482	1	PULLEY
107		2	SCREW, Pan Hd. 8-32 X 1/2 W/Nut & Lkw.	173		1	WASHER, 1/4 Wrought
108		3	SCREW, Pan Hd. 8-32 X 3/8 W/Nut & Lkw.	174		1	LOCKWASHER, 5/16
109	321 613	1	BRACKET, Relay	175		1	SCREW, Hex Hd. 5/16-18 X 1/2
110	321 605	1	RELAY, 115V/60 Cycle	176	320 366	1	BELT (apa)
	323 012	1	RELAY, 115V/50 Cycle	177	322 490	1	PULLEY
	322 407	1	RELAY, 230V/50 Cycle	178		1	SCREW, Socket Set 1/4-20 X 3/8
	323 014	1	RELAY, 230V/60 Cycle	179		3	SCREW, Rd. Hd. 1/4-20 X 1/2
111	*321 620	1	DECAL, Ground Symbol 230V Only	180	228 408	1	MOTOR, 115V/60 Cycle TSB 537, G-9
112	321 427	3	RETAINING RING		322 539	1	MOTOR, 115V/50 Cycle
113	321 397	1	SPRING		228 420	1	MOTOR, 230V/50 Cycle
114	321 419	1	HINGE PIN		322 652	1	MOTOR, 230V/60 Cycle
115	157 066	2	RETAINING RING	181	322 172	1	BASE, Motor
116	322 158	2	WHEEL	183	325 224	1	PIN, Roller
117	163 767	2	WASHER, Bowed	184		1	COTTER PIN, 1/16 X 3/4
118	320 406	2	AXLE	185	580 880	1	BUMPER
119		2	SET SCREW, 8-32 X 3/8	186	325 319	1	HOUSING, Main
120		2	SCREW, Fillister Hd. 1/4-20 X 5/8	187	014 052	1	DECAL, Advance
121	321 532	2	BUSHING	188		1	SCREW, Pan Hd. Mach. 10-24 X 1/4 W/#10 S.A.E. Washer
122	570 510	12	SCREW	189	321 303	1	ACTUATOR, Switch
123		2	SCREW, Fillister Hd. 1/4-20 X 1/2	190	*301 357	1	INSULATOR, Terminal Block 230V Only
124	368 989	2	BUSHING	191	321 400	1	HINGE PIN, Left
125	580 910	1	BUMPER	192	321 087	1	SPRING, Latch
126	320 021	4	PIN	193	321 079	1	LATCH
127		1	SCREW, Socket Set 8-32 X 1/4	194	321 117	1	TUBE
128	321 176	1	KNOB	195		1	COTTER PIN, 3/32 X 1/2
129	014 079	1	DECAL, Pile Adjuster	196	321 060	1	FOOT LEVER
130		4	SCREW, Pan Hd. 10-24 X 1/2	197	321 095	1	PIN
131	320 544	1	PLATE, Nut	198	321 125	2	RING, Retaining
132	320 536	1	SCREW, Pile Adjuster	199	321 281	1	SWITCH
133	320 552	1	NUT, Pile Adjuster	100A	321 362	1	INSULATOR, Switch
134		1	NUT, Hex 5/16-18	101A	322 412	2	WIRE ASSEMBLY
135	325 222	1	YOKE, Adjusting	102A	228 414	1	CIRCUIT BREAKER, 115V/60 Cycle
136	151 092	2	BUSHING		323 012	1	CIRCUIT BREAKER, 115V/50 Cycle
137	325 212	1	LINKAGE WELDMENT		228 418	1	CIRCUIT BREAKER, 230V/50 Cycle
138	325 244	2	ROLLER		323 014	1	CIRCUIT BREAKER, 230V/60 Cycle
139	150 150	2	WASHER, Bowed	103A		2	NUT, Hex 10-24
140	321 702	1	SPRING	104A	322 410	1	BRACKET, Circuit Breaker
141	321 516	1	MOUNT, Motor	105A	015 020	1	DECAL, Circuit Breaker
142	322 547	1	SCREW, Belt Tightener				
143		2	WASHER, Flat 1/4 S.A.E.				
144	321 559	1	GROMMET				
145	150 975	2	LOCK NUT				
146		1	SCREW, Pan Hd. 10-32 X 3/8 W/Nut 230V Only				
147	245 076	1	CLAMP, Filter 230V Only				
148	322 340	1	FILTER, Radio Interference 230V Only				
149	322 336	1	BRACKET, Filter 230V Only				
150		3	LOCKWASHER, 1/4				
151		5	NUT, Hex 1/4-20				
152	330 088	1	GROMMET, Hose				
153	322 504	4	SPEED NUT				
154	014 112	1	WIRING DIAGRAM, 115V				
	014 111	1	WIRING DIAGRAM, 230V				
155	325 200	1	SHIELD				
156		2	SCREW, Flat Hd. 6-32 X 3/8				
157		2	SCREW, Pan Hd. 10-24 X 3/8				
158	325 201	1	CLAMP				
159	325 294	1	HOSE				
160	320 218	1	KEY				
161	320 145	1	BLOCK, Bearing, Right				
162	320 153	1	LOAD SPRING				

* NOT SHOWN



ITEM	PART NO.	QTY.	DESCRIPTION	ITEM	PART NO.	QTY.	DESCRIPTION
201	585 099	1	GRIP	232		2	NUT, Nex 6-32 W/Washer & Lkw.
202	324 469	1	CORD ASSEMBLY W/STRAIN RELIEF, 115V only	233	325 328	1	GASKET
203		4	SCREW, Pan Hd. 10-24 x 1 5/8 W/Lkw.	234	325 148	1	GASKET
204	325 168	2	HOOK, Cord	235	325 240	1	CHAIN
205	325 280	1	HANDLE WELDMENT	236	311 057	2	COUPLER
206	325 316	1	CORD, Drive Motor 115V	237	325 134	2	SCREW
207	322 298	1	CORD, Drive Motor 230V	238	322 504	2	SPEED NUT
		2	SCREW, Pan Hd. 1/4-20 x 3/8 W/ Shakeproof Lkw.	239	325 138	1	SUPPORT, Bag
208		12	SCREW, Pan Hd. 6-32 x 5/16	240	325 322	1	HOUSING, Back
209	325 312	1	CORD, Handle 115V	241		3	SCREW, Pan Hd. 10-32 x 1/2 Self-Tapping
	320 318	1	CORD, Handle 230V	242	324 530	1	BAG, Cloth
210	325 160	1	PLATE	243	320 676	1	CLAMP, Bag
211	325 210	4	NUT, Acorn	244	325 164	1	HOOK, Bag
212		6	NUT, Acorn 10-24	245	325 320	1	LATCH
213	325 207	1	PLATE	246	325 140	1	SWITCH, Main
215	325 162	1	TUBE, Inlet	247	325 364	1	PLATE, Weldment
216	384 898	1	FILTER, Vac Motor (apa)	248	325 170	1	FILTER
217	300 381	1	VACUUM MOTOR, 115V (apa)	249	325 117	1	SHROUD
	300 411	1	VACUUM MOTOR, 230V	250		4	NUT, Acorn 10-24
218	325 332	1	PLATE, Baffle	251	014 915	1	DECAL, Hospital
219		4	NUT, Whiz-Loc 10-24	252	325 182	1	HOSPITAL FILTER KIT
220	209 325	1	GASKET, Motor	253	325 318	1	WIRE ASSEMBLY
221	320 317	4	STRAIN RELIEF (3 only used on 230V)	254		2	SCREW, Pan Hd. 10-24 x 5/8
	382 815	1	STRAIN RELIEF, 230V only	255	325 299	1	FRONT HOUSING ASSEMBLY
222	325 122	1	SHIELD W/GASKETS	256	322 026	1	PLATE, 115V only
223	321 737	5	WIRE NUT	322 231	1	PLUG BUTTON, 230V only	
224		4	SCREW, Pan Hd. 10-24 x 1/2 Self-Tapping	257	321 338	1	INSULATOR
225	325 208	1	PLATE, Hinge	258	385 449	1	GASKET
226	322 014	1	STRAIN RELIEF, 115V only	259	151 114	2	WASHER
227	325 205	1	HINGE	260	325 157	1	O-Ring
228	325 156	1	PLATE, Exhaust				
229	570 220	4	SCREW				
230	014 060	1	DECAL, Advance				
231	325 248	1	STRIKE, Latch				

ITEM	PART NO.	QTY.	DESCRIPTION
301	203 263	4	SCREW, 115V
	203 262	4	SCREW, 230V
302	203 493	2	SCREW, 230V only
303	207 234	1	BRACKET, Commutator End 115V
	228 368	1	BRACKET, Commutator End 230V
304	301 175	1	BAFFLE, 230V only
305	203 494	2	SCREW, 115V
	203 558	2	SCREW, 230V
306	203 557	1	FIELD, 115V
	208 090	1	FIELD, 230V
307	203 584	2	CLIP, 230V only
308	202 843	1	LOAD SPRING, 115V only
309	203 513	1	DISC, 115V
	203 586	A.R.	WASHER, 230V
310	228 051	2	BEARING (1 only used on 230V)
311	203 549	1	ARMATURE, 115V
	208 063	1	ARMATURE, 230V
312	203 471	1	WASHER, Clamping
313	301 184	1	BRACKET & SHELL ASSEMBLY, 115V
	208 195	1	BRACKET & SHELL ASSEMBLY, 230V
314	203 459	1	WASHER, Felt
315	228 387	1	SPACER, 115V
	203 416	1	SPACER, 230V
316	208 191	2	FAN, Rotating (1 only used on 230V)
317	207 268	1	FAN, Stationary
318	203 424	1	SPACER
319	208 204	1	FAN, Rotating 230V only
320	203 432	1	WASHER
321	203 440	1	NUT
322	203 491	1	FAN SHELL
323	207 285	2	CLAMP, 115V
	207 284	2	CLAMP, 230V
324	207 227	2	BRUSH MECHANISM, 115V
	207 225	2	BRUSH MECHANISM, 230V



VACUUM MOTOR ASSEMBLY