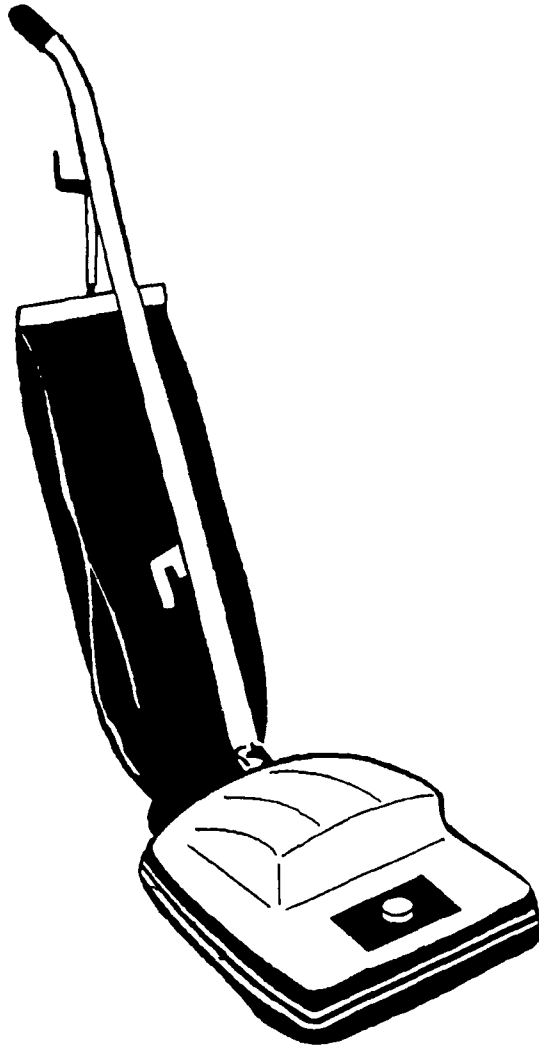


# KENT



MODEL:  
**KC-110B**  
COMMERCIAL  
UPRIGHT

**OPERATING,  
MAINTENANCE  
INSTRUCTIONS  
& ILLUSTRATED  
PARTS LIST**

THE KENT COMPANY  
2310 Industrial Parkway  
P.O. Box 1665  
Elkhart, IN 46515  
TEL: (219)293-8661,  
(800)334-1083  
FAX: (219)295-8610

FEBRUARY 1992

# MACHINE SPECIFICATIONS:

Motor .....	4.0 amps, 120 volts, 25-60Hz
Dust bag .....	906 cu in. (14.8 Liter) cloth bag
Brush roll assembly .....	12" (30.5cm) wood with nylon bristles
Adjustments .....	Handle-three positions Pile height-four positions (dial)
Nozzle .....	12" (30.5 cm) Chrome Plated Steel
Fan and base .....	Lexan
Bumper .....	Nonmarking vinyl on front and sides
Wheels .....	Two-2 1/2" (6.35 cm) Dia. rear wheels Two-2 1/4" (5.71 cm) Dia. front wheels
On/Off switch .....	Foot-operated
Cord .....	30FT.(9.1m),18-3SJT nonmarking vinyl; 3 conductor, with three prong plug
Width .....	13.0" (33.0 cm)
Height .....	Floor to top of motor cover: 6" (15.2 cm) Floor to handle tip: 45" (114.2 cm)
Length .....	14.8" (37.6 cm)
Weight .....	12 lb (5.4 kg)
Shipping weight .....	14 lb (6.3 kg)

## SERVICE INFORMATION

To obtain consistent performance over the life of your vacuum cleaner, read through these instructions and keep them handy for future reference. If you require service contact the dealer from whom the machine was purchased, or an authorized service station. Always refer to your limited warranty for complete service information.

The model, type, and serial number are indicated on the data plate on the bottom of the cleaner. For prompt and complete service information, always refer to these numbers when inquiring about service.

[Redacted]		
SERIAL NO		MODEL
VOLTS	PHASE	Hz
MOTOR 1	A.M.P.	H.P.
MOTOR 2	A.M.P.	H.P.

<b>MODEL#</b>	<b>SERIAL#</b>
WRITE THE MODEL AND SERIAL NUMBER OF YOUR VACUUM IN THE SPACE PROVIDED. REFER TO THE DATA PLATE ON THE CLEANER.	

## GENERAL INFORMATION

Before you plug in your cleaner, check the voltage data plate located on the bottom of the cleaner to see if it agrees within 10% of the voltage available (see Data Plate figure). Connect only to a grounded (3-wire) electrical outlet.

The motor in your vacuum is permanently lubricated and sealed. Do not oil the motor at any time.

## CUSTOMER RESPONSIBILITIES

Always use care when operating the machine. Keep clear of moving parts. Do not work on machine with power applied and observe the rules for safe operation. Keep the machine clean. Follow a regular maintenance and check schedule to provide efficient and safe operation. A well cared for machine will last longer and operate more efficiently. Always be careful for yourself and for others.

### ACCESSORIES (OPTIONAL):

Magnetic Pick-Up Bar .....	052964
Kit, Upright Attachment-12" .....	E13492-6

# IMPORTANT SAFEGUARDS

When using an electrical appliance, basic precautions should always be followed, including the following:

**READ ALL INSTRUCTIONS BEFORE USING THIS VACUUM CLEANER**

## WARNING

To reduce the risk of fire, electric shock, or injury:

- Do not use outdoors or on wet surfaces.
- Do not leave vacuum cleaner when plugged in. Turn off the switch and unplug the electrical cord when not in use and before servicing.
- Do not allow to be used as a toy. Close attention is necessary when used by or near children.
- Use only as described in this manual. Use only manufacturer's recommended attachments.
- Do not use with damaged cord or plug. If vacuum cleaner is not working as it should, has been dropped, damaged, left outdoors, or dropped into water, return it to a service center before using.
- Do not pull or carry by cord, use cord as a handle, close a door on cord, or pull cord around sharp edges or corners. Do not run vacuum cleaner over cord. Keep cord away from heated surfaces.
- Connect to a properly grounded outlet only (refer to Grounding Instructions).
- Do not use extension cords or outlets with inadequate current carrying capacity.
- Turn off all controls before unplugging.
- Do not unplug by pulling on cord. To unplug, grasp the plug, not the cord.
- Do not handle plug or vacuum cleaner with wet hands.
- Hold plug when rewinding onto cord reel. Do not allow plug to whip when rewinding.
- Do not put any object into openings. Do not use with any opening blocked; keep free of dust, lint, hair, and anything that may reduce airflow.
- This vacuum cleaner creates suction and contains a revolving brushroll. Keep hair, loose clothing, fingers, and all other parts of body away from openings and moving parts.
- Do not pick up anything that is burning or smoking, such as cigarettes, matches, or hot ashes.

- Do not use without dust bag in place.
- Belt pulleys can become hot during normal use. To prevent burns, avoid touching the belt pulley when servicing the drive belt.
- Use extra care when cleaning on stairs.
- Do not use to pick up flammable or combustible liquids such as gasoline, or use in areas where they may be present.
- Store your cleaner indoors in a cool, dry area.
- Keep your work area well lighted.
- Unplug electrical appliances before vacuuming them.

## SAVE THESE INSTRUCTIONS

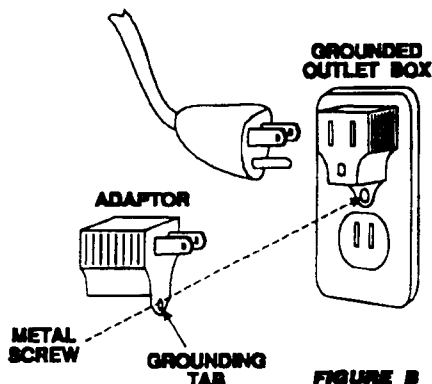
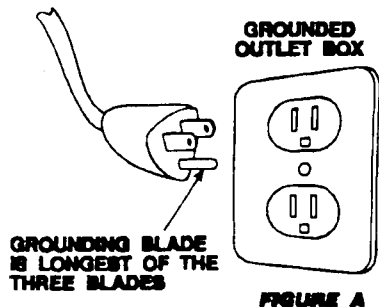
### Ground Instructions

#### DO NOT USE IN CANADA!

This appliance must be grounded. If it should malfunction or break down, grounding provides a path of least resistance for electric current to reduce the risk of electric shock. This appliance is equipped with a cord having an equipment grounding conductor and grounding plug. The plug must be plugged into an appropriate outlet that is properly installed and grounded in accordance with all local codes and ordinances.

## DANGER

Improper connection of an equipment grounding conductor can result in risk of electric shock. Check with qualified electrician or service person if you are in doubt as to whether the outlet is properly grounded. Do not modify the plug provided with the appliance. If it will not fit the outlet, have proper outlet installed by a qualified technician. This appliance is for use on a nominal 120 volt circuit and has a grounding plug that looks like the plug illustrated in Figure A. A temporary adaptor which looks like the adaptor illustrated in Figure B may be used to connect this plug to a two pole receptacle, as shown, if a properly grounded outlet is not available. The temporary adaptor should be used only until a properly grounded outlet, Figure A, can be installed by a qualified electrician. The green colored rigid ear, lug, or the like extending from the adaptor must be connected to a permanent ground such as a properly grounded outlet box cover. Whenever the adaptor is used, it must be held in place by a metal screw.



## HOW TO USE YOUR VACUUM CLEANER

### THREE-POSITION HANDLE ADJUSTMENT

With the tip of your toe, release the handle lock located at the rear left side of the cleaner and move the handle to the desired position. (1) Upright when not in use. (2) Normal for sweeping. (3) Low when cleaning under low furniture. (Fig. 4)

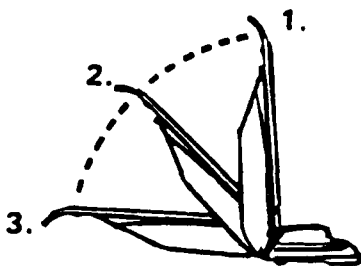


Fig.4

### EDGE CLEANER

Edge cleaner provides for improved cleaning of carpets near walls and stationary furniture. Slots on the sides of the nozzle increase air flow to the edges of the cleaner and add to the cleaning efficiency of the cleaner. To operate, simply run cleaner along edge board.

### POWER SWITCHES

Step-on push switches are mounted on the motor hood. A push with the foot turns the motor ON; push again to turn the motor OFF. (Fig. 5)



Fig. 5

### CORD STORAGE

Your cleaner has two convenient cord storage hooks attached to the handle. Just wind cord around hooks.

### RUG ADJUSTMENT

The modern varieties of carpet types, materials and densities require a wide range of vacuum cleaner nozzle height settings to assure best carpet cleaning and grooming.

Your cleaner has a 4-position knob adjustment. The nameplate bears relative pile depth designations - "LOW", "NORMAL", "HIGH" and "SHAG".(Fig. 6) The adjustment designations are a general guide only. For most satisfying and efficient carpet cleaning, follow this adjustment procedure.

Move knob to highest position and turn on motor. Listen to the sound of your cleaner; the main sounds will be the motor itself and the rush of air through it, unless you are on very long shag pile. Turn the knob to the next lower settings, step-by-step, until the sound changes to a smooth buzzing or vibrating tone. This is the sound of the beater bars grooming the pile.

You will want to experiment with your new cleaner's settings on all your carpeting in order to quickly decide what adjustment is best for each. The choice will soon become second nature to you.

NOTE: After learning best settings for your carpets, you may choose to slightly raise the front of the cleaner for ease in changing the adjustment.

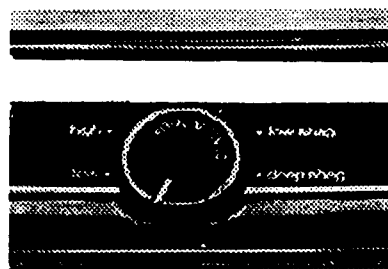


Fig.6

## DUST BAG USE

### HOW TO EMPTY DUST BAG

**NOTE-Disconnect power cord from electrical outlet before emptying bag. NEVER wash or dry-clean bag.**

Slide top of bag out of open end of clamp (Fig. 7). It is not necessary to remove clamp from handle. Remove bag from cleaner by pulling back lever arm (A) on bag collar (Fig. 8).

Spread a newspaper or other disposable material on floor. Hold bag by collar and open opposite end. Shake bag vigorously several times over newspaper (Fig. 9).

### TO REPLACE BAG:

Place tab on bottom of bag collar into slot on cleaner base (Fig. 10). Push collar forward so locator pin (B) fits into slot and push lever arm (A) forward to lock bag in place (Fig. 8). Slide top of bag back into clamp (Fig. 7).



Fig. 7

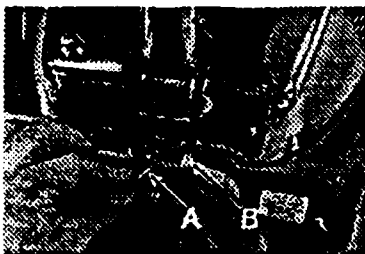


Fig. 8



Fig. 9



Fig. 10

## HOW TO MAINTAIN THE VACUUM CLEANER

The instructions given in this booklet serve as a guide to routine maintenance. To avoid unnecessary service calls, check the bag, belt, and brush roll often.

### BRUSH ROLL BELT

The brush roll belt on the upright vacuum cleaner drives the brush to agitate, sweep, and comb the carpet nap. The belt should be checked regularly to be sure it is in good condition. Replace the belt if it is stretching, cracking, or slipping. Cut away any hair or thread wound around the brush roll or the belt pulley because the buildup could cause the belt to rotate unevenly.

### REPLACING A WORN BELT

**NOTE-Disconnect power cord from electrical outlet before replacing belt.**

Belt pulleys can become hot during normal use. To prevent burns, avoid touching the belt pulley when servicing the drive belt.

Remove the chrome bottom plate by turning the two cam locks on each side (Fig. 11). Take the worn belt off the motor pulley. Grasp the brush roll in the center near the brush roll pulley and pull upward. Check for brush wear.

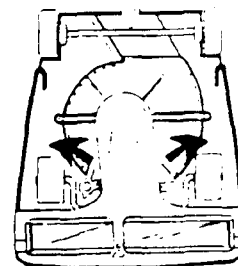


Fig. 11

Place a new belt around the brush roll. Then position the brush roll over the cleaner base with the brush roll pulley in line with the belt guide (Fig. 12).

The brush roll end cap has six sides. Two of these sides are longer. Insert the brush roll into the base so the long sides are nearly vertical and parallel with slots

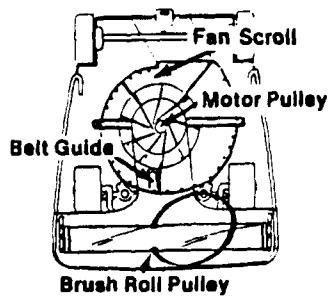


Fig.12

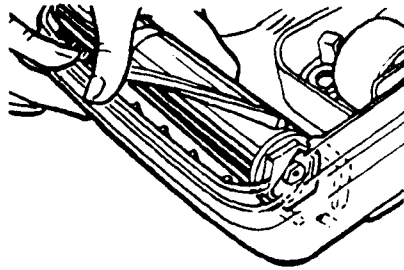


Fig.13

in the base. Push down gently and firmly until the brush roll is seated (Fig. 13).

**IMPORTANT-**Improper installation of the brush roll or brush roll belt could cause carpet or cleaner damage.

Replace chrome bottom plate by placing slots of plate over tabs on front of cleaner base. Seat chrome bottom plate flat on cleaner base. Secure with cam locks.

Hook belt around motor pulley shaft making sure the lower side of the belt is in the belt guide and the upper side does not touch the belt fin. If the lower side of the belt is not in the belt guide, the belt touches the belt fin and the brush roll rotates backward.

**NOTE-**Disconnect power cord from electrical outlet before removing brush roll.

**TO COMPENSATE FOR WEAR**

**NOTE-**Disconnect power cord from electrical outlet before removing brush roll.

**WOODEN TYPE-** A simple two-position adjustment has been provided for this type. The end of the brush roll is marked "NEW" and "WORN". The brush roll is

installed with "NEW" in proper position. To adjust for wear, remove brush roll and turn end until word "WORN" is upward. Replace brush roll in cleaner. (See "The Brush Roll Belt")

**CARBON MOTOR BRUSHES**

To Inspect/Replace - Remove the motor hood by unfastening the two front hood springs, which are hooked to the underside of the machine base just behind the front wheels, and removing the shoulder screw holding the height adjustment knob. Unfasten the ON/OFF (push) switch by removing the switch nut to gain sufficient access to the carbon motor brushes.

Remove the two screws (one for each brush) securing the motor brushes. Hold the retaining plate in place while removing the brush assembly.

The brushes should be replaced when worn to a length of 3/8" or less. Always replace both brushes at the same time.

Reassembly is the reverse of the above steps.

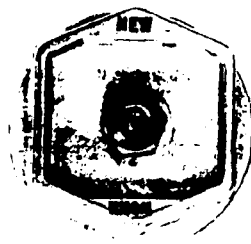
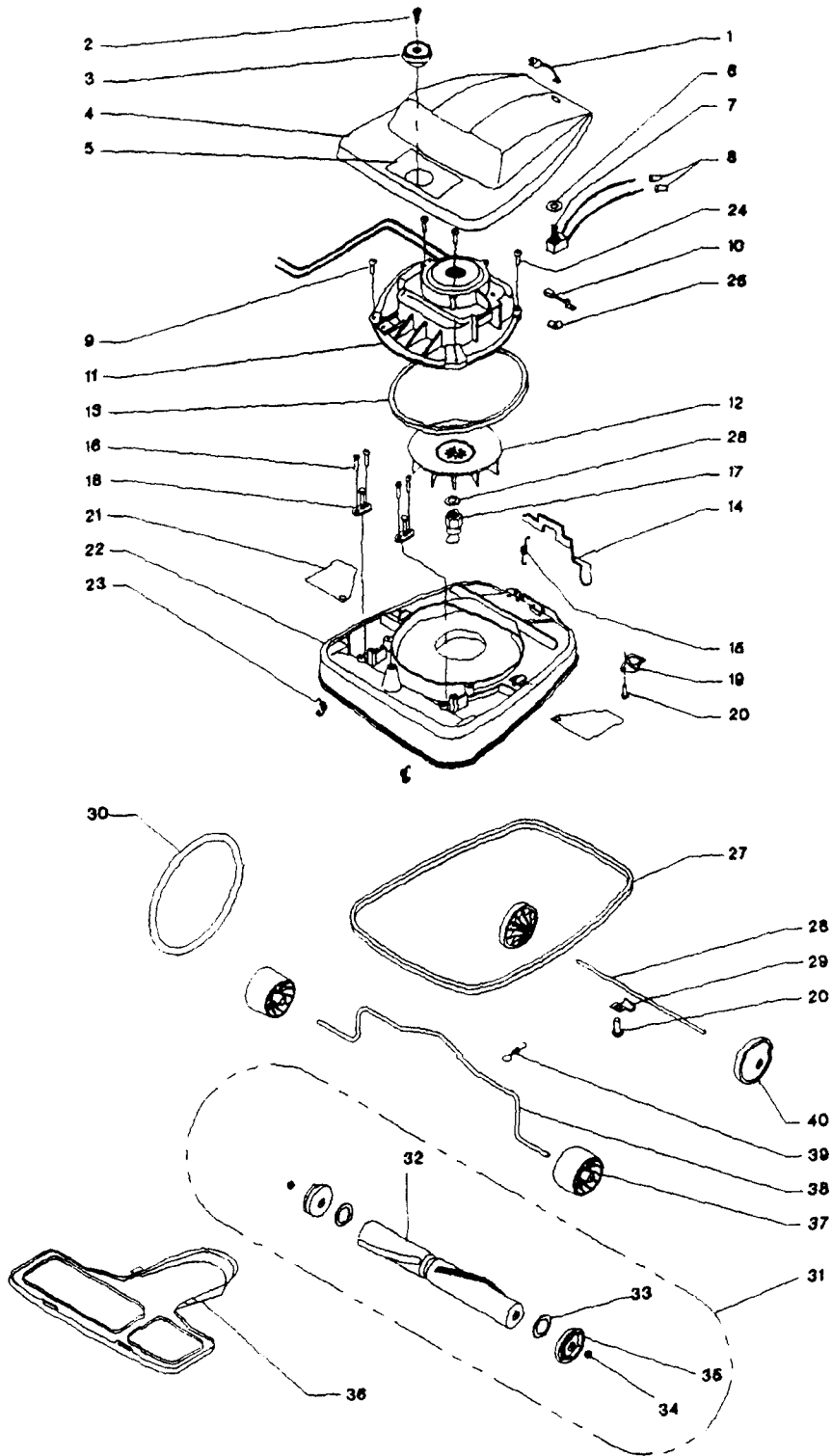


Fig.14

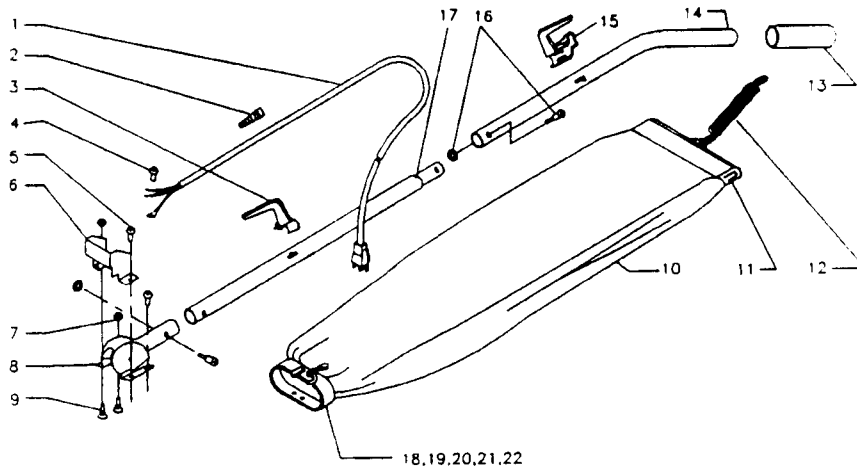


TM-1274

DET	PART NO.	DESCRIPTION	QUANT
1	E48114	BSHG,STRAIN RLF-HEYCO SR6N3-4	1
2	E48868	SCR SHLDR TPG F 12-B,,172S	1
3	E26834-1	KNOB,PLASTIC-UPRT,4 POS,BLK	1
4	051733	HOOD,MOTOR-R/S E13194,KENT BL	1
5	051735	LABEL,INSTR-UPRIGHT,LVL 4 POS	1
6	E45943	WSHR LK 508ID.625OD.022T INT	1
7	E13738-5	SWITCH,PUSH-GC679-A	1
8	222244	NUT,WIRE-IDEAL 71B	3
9	002423	SCR TPG F PAN HD 10-T X.625L	1
10	E25172A-1	BRUSH, CARBON	2
11	E12605-17	MTR,VAC-UPRT,115/60,KC-110	1
12	E12988	FAN	1
13	E30517	GASKET-MOTOR SEAL	1
14	E24834A-1	PEDAL-FOOT-FAWN BEIGE,C2035G	1
15	E45503	SPRING,EXT 257D 1 25L .035WD	1
16	002430	SCR TPG F PAN HD 10-B X.812L	9
17	E37012	PULLEY-MOTOR DRIVE,'SERVICE'	1
18	E48823	ASM,CLAMP & SCREW-	2
19	E37034	SPRING-ADAPTER RETAINER	1
20	002417	SCR TPG F PAN HD 10-TX.500L	2

DET	PART NO.	DESCRIPTION	QUANT
21	E36263	COVER-WHEEL	2
22	E25719A-2	ASM,BASE	1
23	E47853	SPRING,EXT 304D 930L .055WD	2
24	005313	SCR TPG F PAN HD 8-32X.312L	1
25	E49301	CLAMP,LOOP- 250DIA	1
26	E49017	WSHR FLT 312ID 625OD.094T FBR	2
27	051734	GUARD,FURNITURE-KENT BLUE	1
28	E47562	RD,STL-.247DIA, 8.19L	1
29	E47586	CLIP	1
30	E30563A	BELT-DISTURBULATOR DRIVE	1
31	E37558-1	ASM,DISTURBULATOR	1
32	E26565-1	ASM,BRUSH ROLL-UPRIGHT	1
33	E49765-1	WSHR,FELT-1 03ID1 42OD.047T	2
34	E49175	NUT,HEX LOCK- 10-32,NYLOC	2
35	E37559	ASM,CAP & BRG-DISTRIBUTOR	2
36	E25922-1	ASM,PLATE-BOTTOM	1
37	E35858-1	WHEEL-2.50DIA, 250BORE,1.00HB	2
37	E35859A-1	WHEEL-2.25DIA, 322BORE,1 62HB	2
38	E36047A	AXLE,FRONT-UPRIGHTS	1
39	E36407A	SPRING,EXT 275D 1 50L .024WD	1





TM-1275

DET	PART NO.	DESCRIPTION	QUANT
1	025912	CORD,POWER--18-3,SJT,WHT,30'	1
2	E36536	SPRING,COMP .625D 2.12L .042WD	1
3	E13154-3	HOOK,CORD--UPRT,LOWER,WHITE	1
6	E36439	SHIELD-HANDLE SOCKET	1
7	003279	NUT,HEX-- 10-24,ZN PLT	2
8	E38183-1	ASM,HANDLE SOCKET	1
9	E48870	SCR CAP TR HD 10-24X.593L	2
10	E24484C-20	ASM,BAG--BOTTOM FILL,BLUE	1
11	E30599D-10	CLIP--BAG,CHROME OVER NKL PLT	1
12	E47722	SPRING,EXT .531D 3.89L .054WD	1
13	E35293-8	GRIP-HANDLE	1
14	E12636-14	TUBE-HANDLE UPPER CHROME	1
15	E13153-3	HOOK,CORD--UPRT,UPPER,WHITE	1
16	E55468-1	ASM,SCREW--HANDLE	2
17	E12637-8	TUBE-HANDLE LOWER CHROME	1
18	E52253-1	BAG, ADAPTER	1
19	E37032	CAM-BAG ADAPTER LOCK	1
20	E48282	GASKET	1
21	E48749	RIVET,SHLDR--.123 DIA.,.110S	1
22	E48748	WSHR FLT .127ID.375OD.030T STL	2

# THE KENT LIMITED WARRANTY

Your Kent equipment which has been manufactured, tested, and inspected in accordance with carefully specified engineering requirements, is warranted to be free from defects in material and workmanship. This warranty is, however, subject to the following qualifications, conditions, and limitations which are set forth to provide you and all users of the equipment with information concerning the duration, extent, availability, and applicability of the Kent limited warranty, the procedure to be taken to obtain its performance, and other information concerning the Kent warranty policy.

## **The Kent Limited Warranty is extended to the original end user as follows**

All Kent cord electric machines have a three year warranty on parts, and one year labor coverage with the following exceptions: Upright and two motor upright vacuums have a one year parts and labor warranty. Duravac 15 has a two year parts one year labor warranty. Motor and gear unit assemblies on 175 RPM Floor Machines carry a warranty of five year parts, and one year labor.

Poly components carry a ten year replacement warranty with one year service labor. This warranty will not cover damage attributable to the following:

- : Improper, unreasonable or negligent use or abuse of the equipment.
- : Use of the equipment with hot water ( over 120 deg. F , 49 deg. C ).
- : "Warpage", "Creepage", or "Distortion" of the part so long as the same does not interfere with normal operation.
- : Abrasions or punctures of the equipment.

The start date of the warranty coverage shall be the date the machine was shipped from the factory, or with proof of purchase, the purchase date of the original end user. The start date of the warranty shall not exceed one year from the ship date from the factory.

## **Parts of Kent Equipment not covered by the Kent Limited Warranty**

Certain parts of Kent Equipment require replacement in the ordinary course of use due to normal wear by reason of their characteristics. These are normal wear items such as cords, squeegee blades, belts, gaskets, bumpers, carbon brushes, filters, hoses, bags, padholders, brushes, etc.

## **Exceptions and Exclusions from Warranty**

This equipment is required to be used on electric current as indicated on the dataplate. Otherwise damage, defects, malfunctions or other failures of the equipment arising from the use on electric current not as indicated are excepted and excluded from this warranty. Defects, malfunctions, failure, or damage of the equipment caused by improper care, unreasonable or negligent use or abuse of the equipment are likewise excluded from this warranty. If repair is done to the equipment by anyone other than those designated as authorized to perform such work without having obtained factory authorization in writing, the Kent Company at its sole option, may determine that this warranty will not apply and that reimbursement for such repair will not be made because of the failure to comply with such factory instructions.

## **Procedure to be taken to obtain performance of warranty repair**

To secure repair of the equipment or any warranted parts under this warranty, the following procedure must be taken. The inoperative equipment or warranted parts together with satisfactory evidence of the purchase date, must be delivered, with shipping and delivery charges prepaid, to one of the following:

- : The dealer from whom purchased.
- : Any Kent distributor's service department in the United States.
- : Any Kent authorized service station in the United States.

If you are unable to locate any of the foregoing, you may write or otherwise communicate with The Kent Company for instructions before repair service is performed by anyone else. In such event, The Kent Company will provide either the location of a Kent authorized service department or other factory instructions. In the event that no local service department is available, Kent at its discretion will repair or replace the part or equipment at the factory, the products will be returned to the owner freight prepaid. No warranty will be honored without proof of purchase, the model number, and serial number if applicable.

## **Replacement**

In the event of a defect, malfunction, or failure of your Kent equipment or any warranted part to conform with this warranty, The Kent Company may, at its sole option and own expense, replace the equipment or any warranted part with another new identical or reasonably equivalent model or part in lieu of repairing the defect.

## **No refund of purchase price**

The Kent Company will not, as a matter of its warranty policy, refund the customer's purchase price.

## **Warranty registration**

Your Kent Company distributor from whom you purchased your equipment is responsible for the registration of your warranty with the factory. We ask that you cooperate with your distributor in supplying the necessary information on the warranty card so that we may better serve you. Any information or questions that you may have concerning your Kent equipment or this warranty may likewise be secured from the factory. This warranty gives you specific legal rights, and you may also have other rights which vary from state to state.