

KENT

MODEL KC 125A

COMMERCIAL UPRIGHT

**OPERATING &
MAINTENANCE
INSTRUCTIONS**

**ILLUSTRATED
PARTS LIST**

THE KENT COMPANY

2310 Industrial Parkway
Elkhart, IN 46515 (219) 293-8661

Western Branch: 10011 South Pioneer Blvd.
Santa Fe Springs, CA 90670 (213) 949-9351

APRIL, 1978

GENERAL INFORMATION

BEFORE YOU PLUG IN YOUR CLEANER, check the voltage rating plate located underneath the cleaner to check if it agrees within 10% of the voltage available.

DO NOT OIL. The motor in your new cleaner is permanently lubricated and sealed. Do not oil the motor at any time.

Safety Recommendations

For longer service life and safe use of your vacuum cleaner, we recommend the following guidelines:

- Your cleaner is designed to pick up dirt and dust particles. Avoid picking up hard or sharp objects with your cleaner to avoid bag breakage, hose clogging, or possible motor damage.

Be Safe — Avoid Possible Hazards

- Upright vacuum cleaners have exposed revolving brush rolls. Precautionary measures should be taken to confine long hair, loose clothing, fingers, etc., from contacting the brush roll when the cleaner is connected to an electrical outlet.
- Do not use your vacuum cleaner near an area or in a room containing flammable, explosive, or toxic vapors, or flammable dust. Do not use attachments such as a demolisher, or paint sprayer that could create such a hazardous condition.
- Areas cleaned with cleaning fluids should be allowed to dry completely before vacuuming.
- Disconnect power cord from electrical cord.
- Disconnect power cord from electrical outlet before servicing cleaner, such as changing bags, filters, etc.
- Do not pick up matches, fireplace ashes, or smoking material with cleaner, as possible fire hazard may result.
- Switch cleaner off before removing power cord from electrical outlet.
- Use care to avoid running cleaner over power cord.
- Your vacuum cleaner is not a toy. Do not allow children to play with cleaner. Do not leave cleaner plugged in and left unattended.
- **WARNING:** Electric shock could occur if used outdoors or on wet surfaces.

With the tip of your toe, release the handle lock located at the rear left side of the cleaner and move the handle to the desired position. (1) Upright when not in use. (2) Normal for sweeping. (3) Low when cleaning under low furniture. (Fig. 1)

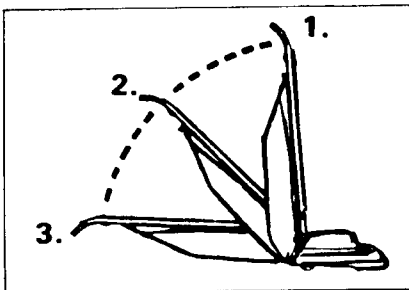


Fig. 1



Fig. 2

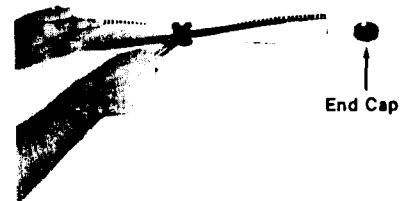


Fig.3

Edge Cleaner

Edge cleaner feature provides for improved cleaning of carpets near walls and stationary furniture. Slots on the sides of the nozzle increase air flow to the edges of the cleaner and add to the cleaning efficiency of the cleaner. To operate, simply run cleaner along edge board. Edge Cleaner operates instantly and automatically.

Power Switches

STEP ON PUSH SWITCHES are mounted on the motor hood. A push with the foot turns the motor ON; push again to turn the motor OFF. (Fig 2)

Cord Storage

Your cleaner has two convenient cord storage hooks attached to the handle. Just wind cord around hooks and fasten with cord holder molded on plug.

TO COMPENSATE FOR WEAR

NOTE — Disconnect power cord from electrical outlet before removing brush roll.

Two types of brush rolls are used on upright cleaners, aluminum and steel. Follow directions given below for your type.

Aluminum Type

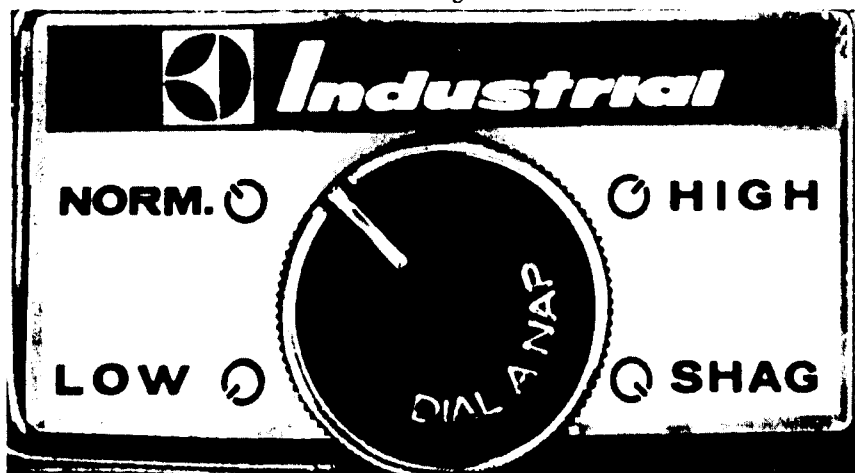
The aluminum brush roll is equipped with removable brushes that can be replaced after they become worn. Remove brush roll. (See "The Brush Roll Belt.") Remove end cap by removing end cap nut. Press down on inner end of brush strip with screwdriver and push outward. Push new brush strip in, clip first, so that clip slides into brush roll completely. Replace end cap and repeat process with other brush strip. (Fig. 3)

Steel Type

Repeat process described under "Aluminum Type".

RUG ADJUSTMENT

Fig. 4



The modern varieties of carpet types, materials and densities require a wide range of vacuum cleaner nozzle height settings to assure best carpet cleaning and grooming.

Your cleaner has a 4-position knob adjustment. The nameplate bears relative pile depth designations. "LOW", "NORMAL," "HIGH" and "SHAG." The adjustment designations are a general guide only. For most satisfying and efficient carpet cleaning, follow this adjustment procedure. (Fig 4)

Move knob to highest position and turn on motor. Listen to the sound of your cleaner; the main sounds will be the motor itself and the rush of air through it, unless you are on very long shag pile. Turn the knob to the next lower

settings, step by step, until the sound changes to a smooth buzzing or vibrating tone. This is the sound of the beater bars grooming the pile.

You will want to experiment with your new cleaner's settings on all your carpeting in order to quickly decide what adjustment is best for each. The choice will soon become second nature to you.

NOTE: After learning best settings for your carpets, you may choose to slightly raise the front of the cleaner for ease in changing the adjustment.

THE DUAL PURPOSE BAG

The dual purpose bag is a cloth bag that is designed so that it can be used with or without paper bags. Once the cloth bag is used without disposable paper bags it is not recommended to use disposable paper bags at any other time.

TOP-FILLING DUST BAG PRINCIPLE

The dirt enters the dust tube and falls into bag from top. (Fig. 5).

TO USE WITHOUT DISPOSABLE PAPER BAGS

Zip cloth bag down as far as it will go. (Fig. 6). See that the sleeve has been placed into the top loading cloth throat so that it is not visible. (Fig. 6). Once cloth bag is used without paper bags it is not recommended to use paper bags from then on. See instructions "How To Empty Dust Bag."

TO USE WITH DISPOSABLE PAPER BAGS

Lift cloth throat which is covering sleeve (Fig. 7) and place cloth throat behind sleeve (Fig. 8). The paper throat on the disposable bag will take the place of the cloth throat. See instructions "How To Change Disposable Dust Bags."

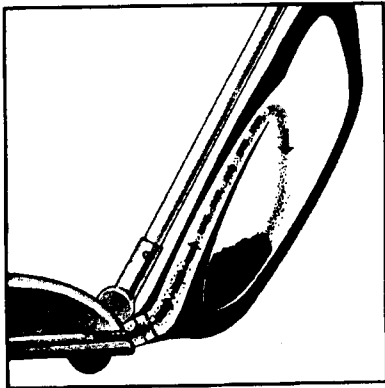


Fig. 5



Fig. 6



Fig. 7



Fig. 8

THE CLOTH DUST BAG AND (OPTIONAL) DISPOSABLE DUST BAGS

The cloth dust bag and disposable dust bags both trap dirt as air passes through. The cloth dust bag and disposable dust bags should be either emptied or replaced frequently so clogging does not occur. This will keep your cleaner operating at maximum efficiency.

How To Empty Dust Bag

NOTE—Disconnect power cord from electrical outlet before emptying bag.

To Remove: Slide top of bag out of open end of clamp (Fig. 9). It is not necessary to remove clamp from handle. Remove bag from cleaner by pulling back lever arm (A) on bag collar (Fig. 10). Dirt cannot fall out. Spread a newspaper or other disposable material on floor. Hold bag by collar and open opposite end. Shake bag vigorously several times over newspaper (Fig. 11).



Fig. 9



Fig. 10



Fig. 11



Fig. 12

**NOTE
NEVER WASH
OR
DRY-CLEAN BAG**

To Replace: Place tab on bottom of bag collar into slot on cleaner base (Fig. 8) Push collar forward so locator pin (B) fits into slot and push lever arm (A) forward to lock bag in place (Fig.10). Slide top of bag back into clamp (Fig. 9).

HOW TO CHANGE (OPTIONAL) DISPOSABLE DUST BAGS

NOTE — Disconnect power cord from electrical outlet before replacing dust bag.

TO REMOVE:

Open bag cover by pulling zipper down as far as it will go. (Fig. 16). Remove top of disposable paper bag from bag cover. (Fig. 15). Roll the coil spring around throat of bag down on sleeve until the throat of bag is free. Slide the throat off the sleeve and remove disposable bag. (Fig. 14).

TO REPLACE:

Each disposable dust bag has the words TOP and BOTTOM printed on the front. Hold the bag so the word TOP is at the top and the throat is next to the cleaner. Slide throat of bag onto sleeve - fold or wrap tightly around sleeve. (Fig. 14). Roll spring back to groove in sleeve. (Fig. 15). Tuck disposable bag into bag cover starting with bottom of disposable bag and working to top. Close zipper of bag cover. (Fig. 16). Disposable dust bags may be obtained from your local Kent dealer or distributor.



Fig. 13

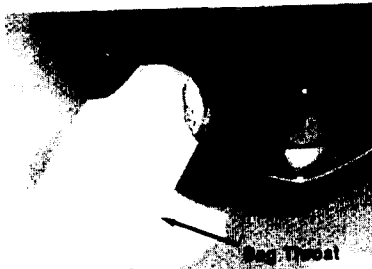


Fig. 15



Fig. 14



Fig. 16

THE BRUSH ROLL BELT

The brush roll belt on the upright vacuum cleaner drives the brush roll to provide agitation, sweeping action, and combing of the nap.

When To Replace

The belt should be checked regularly to be sure it is in good condition. Check to see if the belt has stretched or cracked, or excessive slipping is occurring. Replace if needed.



Brush Roll Pulley

Fig. 17

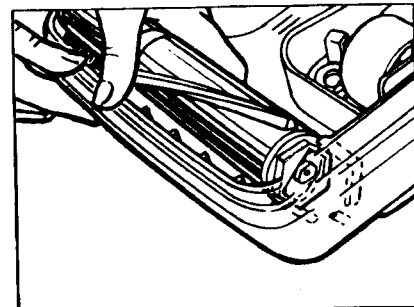


Fig. 18



Fig. 19



Brush Roll Pulley

Fig. 20

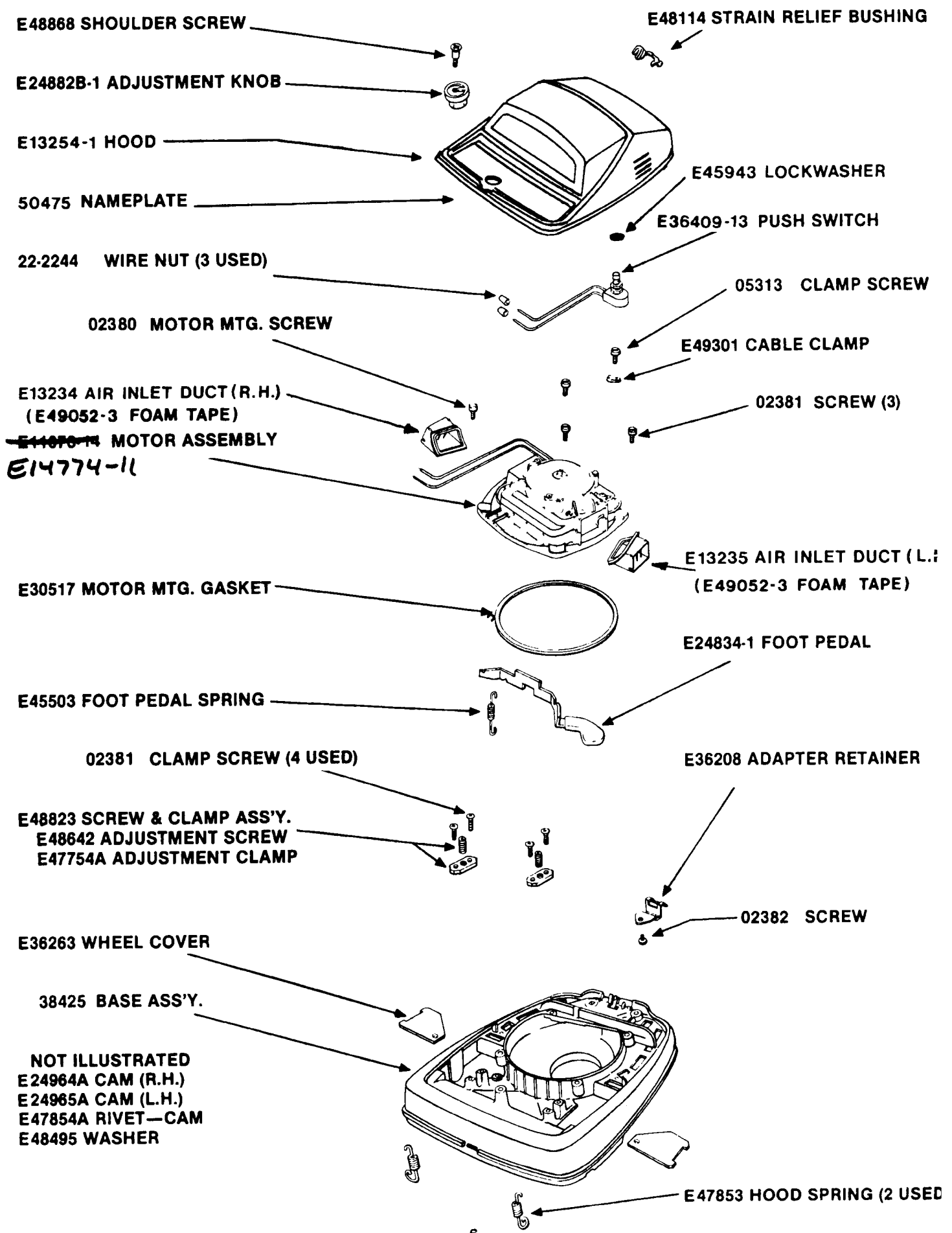
How To Replace A Worn Belt

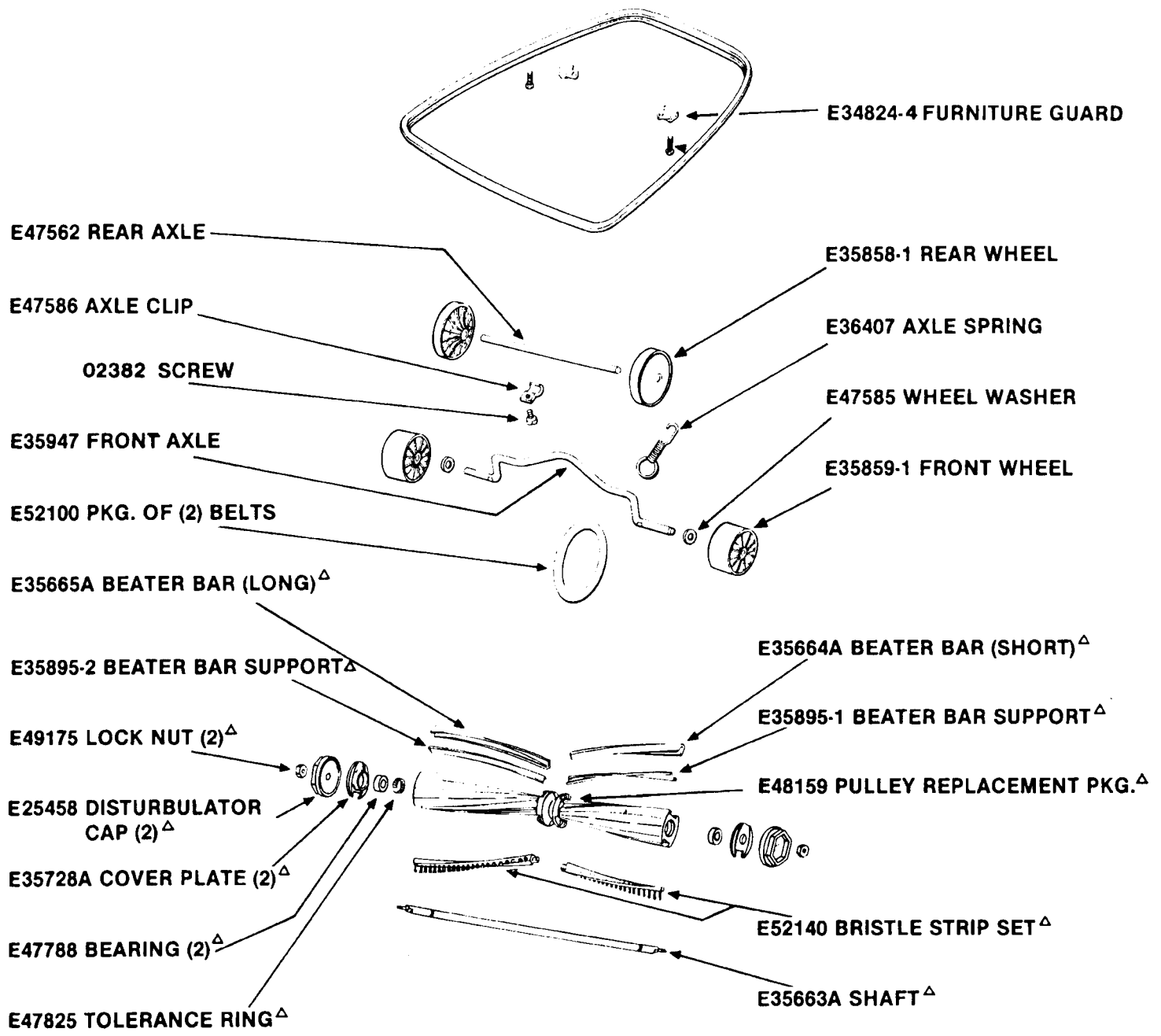
NOTE — Disconnect power cord from electrical outlet before replacing belt.

Remove the chrome bottom plate by turning the two cam locks on each side. Remove the worn belt from the motor shaft pulley. (Fig. 17). To remove the brush roll, grasp in center near brush roll pulley and lift upward and slightly forward. (Fig. 18). Place new belt around brush roll. When replacing brush roll be sure brush roll pulley lines up with groove in base of cleaner.

CHECK FOR BRISTLE WEAR — SEE INSTRUCTIONS "To Compensate For Wear."

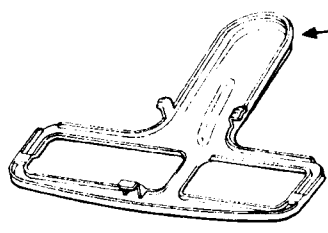
The brush roll end cap has six sides. Two of these sides are longer. Insert the brush roll into the base so the long sides are nearly vertical and parallel with slots in the base. Push down gently and firmly until the brush roll is seated. (Fig. 19). Hook belt around motor pulley shaft making sure the lower side of the belt is in belt guide. (Fig. 20). Replace chrome bottom plate by placing tab of plate into slot of cleaner base. Seat chrome bottom plate flat on cleaner base. Secure with cam locks.

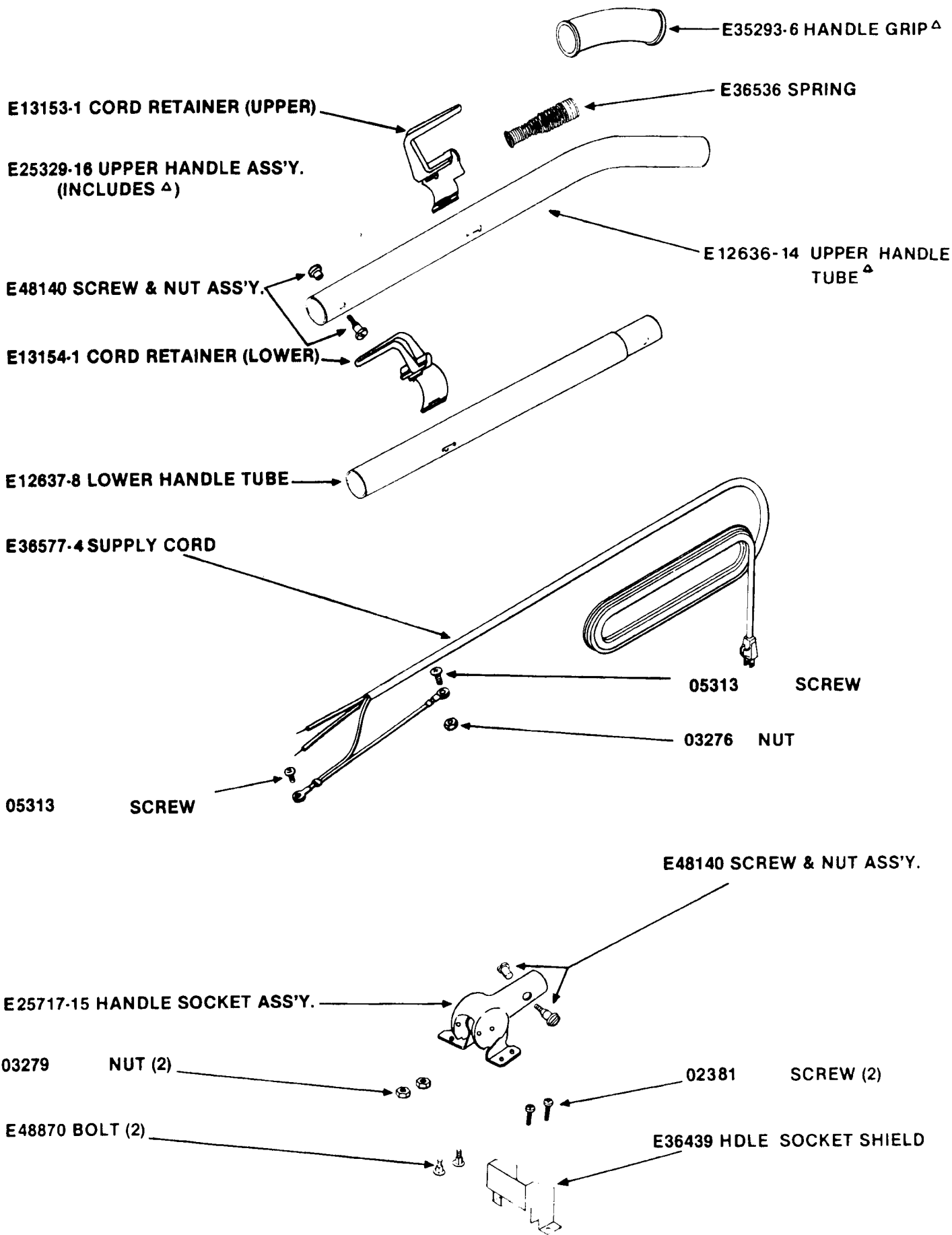




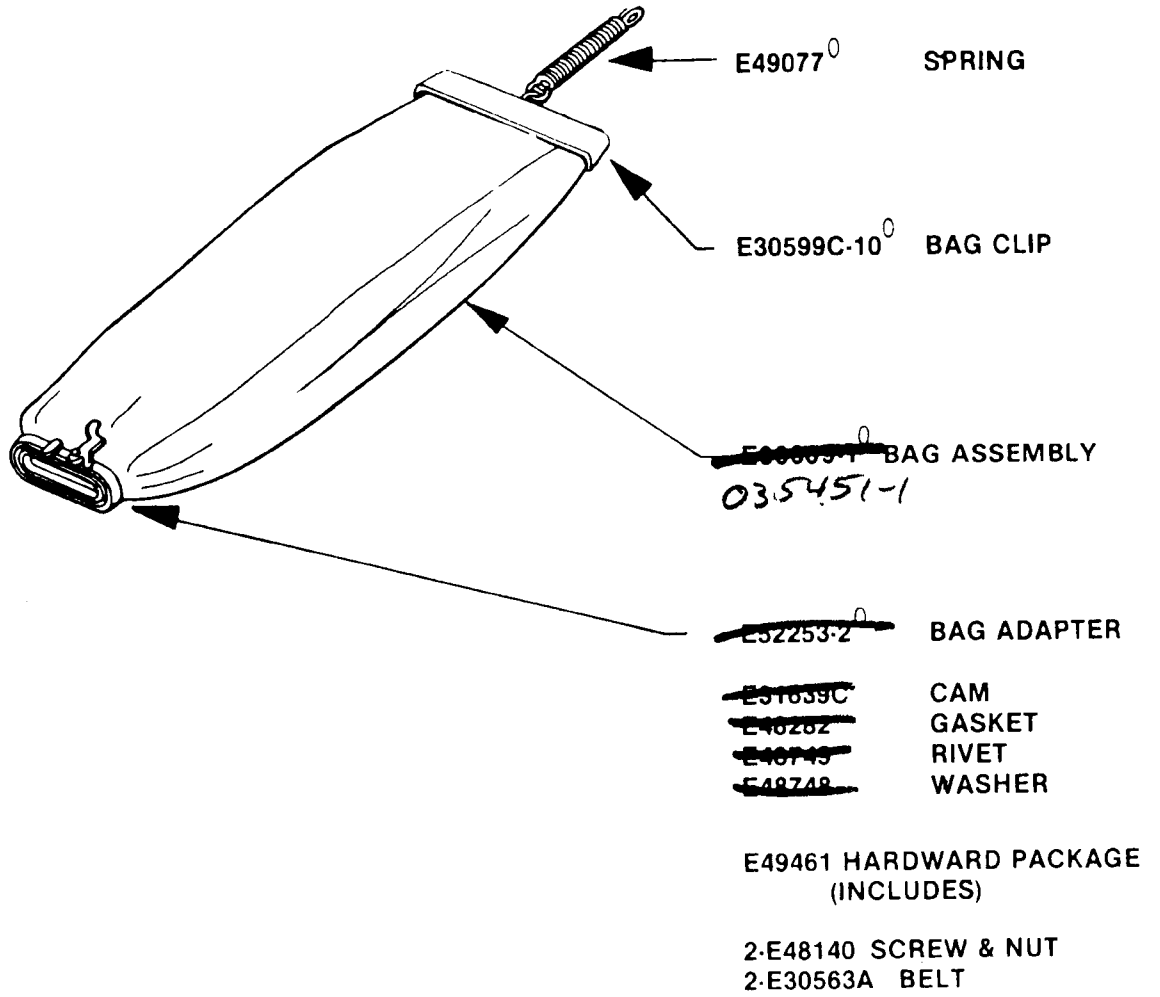
E25359B BOTTOM PLATE ASS'Y.

NOTE
 PART NO. E25459
 DISTURBULATOR ASS'Y.
 INCLUDES^Δ





E25544-1 BAG ASSEMBLY
(INCLUDES 0)



THE KENT LIMITED WARRANTY

Your Kent Equipment, which has been manufactured, tested and inspected in accordance with carefully specified engineering requirements, is warranted to be free from defects in material and workmanship.

This warranty is, however, subject to the following qualifications, conditions, and limitations which are set forth to provide you and all users of the Kent Equipment with information concerning the duration, extent, availability, and applicability of this Kent Limited Warranty, the procedure to be taken to obtain its performance, and other information concerning the Kent Warranty policy.

DURATION OF WARRANTY AND TO WHOM EXTENDED

This warranty extends for a period of one year from the date of the original purchase of the Kent Equipment by the original purchaser. During this period this warranty is available to such first purchaser and:

Members of his or her immediate family for the personal use of the Kent Equipment
or on behalf of such first purchaser,

OR

Members of his or her immediate employment.

PARTS OF KENT EQUIPMENT NOT COVERED BY WARRANTY

Certain parts of Kent Equipment require replacement in the ordinary course of use due to normal wear by reason of their characteristics. These are normal wear items such as cords, gaskets, switches, bumpers, carbon brushes, handle grips, bags, hoses, etc.

EXCEPTIONS AND EXCLUSIONS FROM WARRANTY

This equipment is required to be used on electric current as indicated on the name plate. Otherwise damage, defects, malfunctions or other failures of the equipment arising from use on electric current not as indicated are excepted and excluded from this warranty.

Defects, malfunctions, failure or damage of the equipment caused by improper, unreasonable or negligent use or abuse while in the possession of the purchaser are likewise excluded from this warranty.

If repair is done on your equipment by anyone other than those below designated as authorized to perform such work without first having obtained factory instructions, The Kent Company, at its sole option, may determine that this warranty will not apply and that reimbursement for such repair will not be made because of the failure to comply with such factory specified instructions.

PROCEDURE TO BE TAKEN TO OBTAIN PERFORMANCE OF WARRANTY

REPAIR

To secure repair of the equipment or any warranted parts under this warranty, the following procedure should be taken.

The inoperative equipment or warranted parts, together with satisfactory evidence of the purchase date, must be delivered, with shipping and delivery charges prepaid, to one of the following:

- 1) The Dealer from whom purchased;
- 2) Any Kent distributor's Service Department in the United States;
- 3) Any Kent Authorized Service Station in the United States.

If you are unable to locate any of the foregoing, you may write or otherwise communicate with The Kent Company, Division of Dometic Incorporated, for instructions before repair service is performed by anyone else. In such event, The Kent Company will provide either the location of a closely available Kent distributor Service Department or Kent Authorized Service Station or other factory instructions.

Upon compliance with the above procedure, all warranted defects will be repaired, at no additional charge or costs to the customer, and the repaired product returned to the customer, with all shipping and delivery charges prepaid.

In following the procedures above set forth, PLEASE MAKE CERTAIN to state the Kent model, type and serial number as shown on the name plate of the equipment.

REPLACEMENT

In the event of a defect, malfunction or failure of your Kent Equipment or any warranted part to conform with this warranty, The Kent Company may, at its sole option and own expense, replace the equipment or any warranted part with another new identical or reasonably equivalent model or part in lieu of repairing the defect.

NO REFUND OF PURCHASE PRICE

The Kent Company will not, as a matter of its warranty policy, refund the customer's purchase price.

WARRANTY REGISTRATION CARD FOR YOUR KENT EQUIPMENT AND REQUESTS FOR INFORMATION

Please fill out the warranty registration card accompanying your Kent Equipment, giving complete information as requested on the card, and return to the factory.

Any information or questions you may have concerning your Kent Equipment or this warranty may likewise be secured from the factory.

This warranty gives you specific legal rights, and you may also have other rights which vary from state to state.

KENT
BY
THE KENT COMPANY
ELKHART, INDIANA 46514