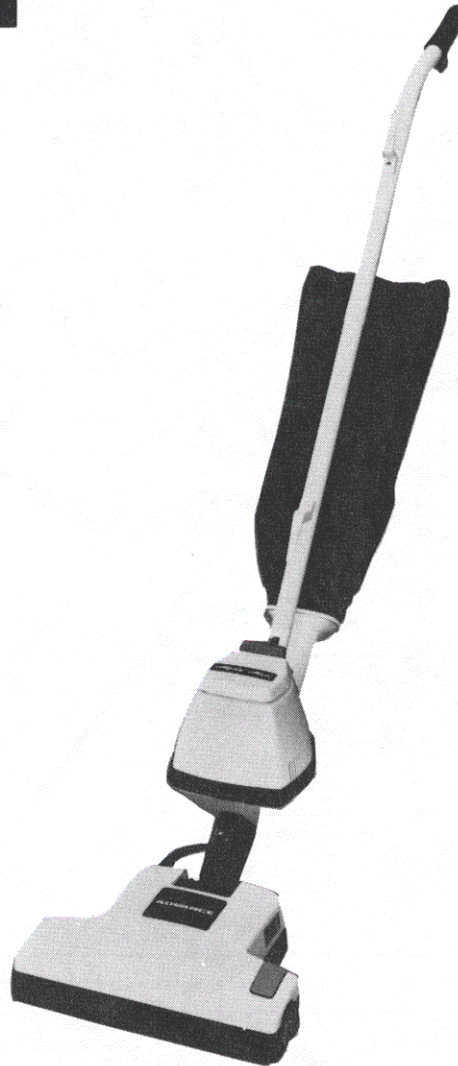


MIGHTY MAID

MODEL MM122C

PARTS LIST



© 1984 Advance Machine Company, Spring Park, MN 55384-0275

ADVANCE
MACHINE COMPANY

INTERNATIONAL HEADQUARTERS, Spring Park, Minnesota 55384-0275
EUROPE, 4 Rue Jean Engling, L-1466 Luxembourg
CANADA, 1295 Crestlawn Drive, Mississauga, Ontario L4W 1A9

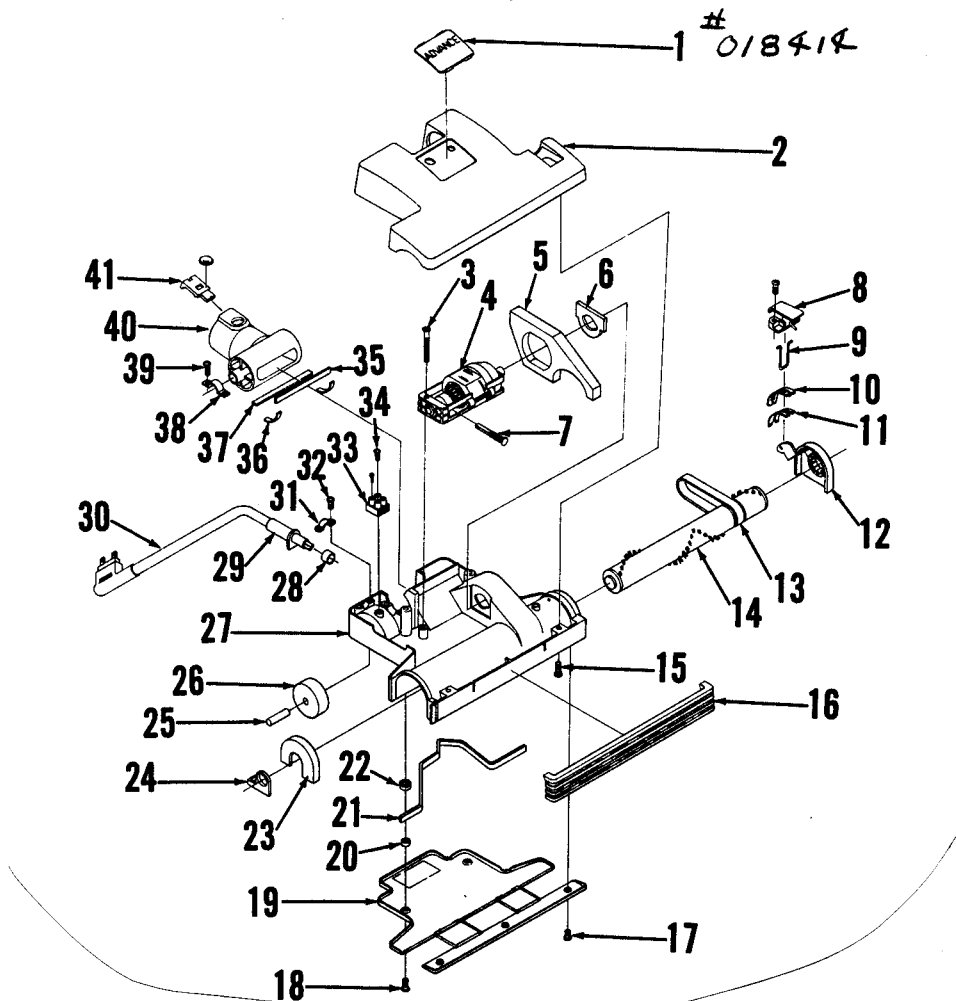


FORM NO. 042 118 11/84

Index for Form Number 042118

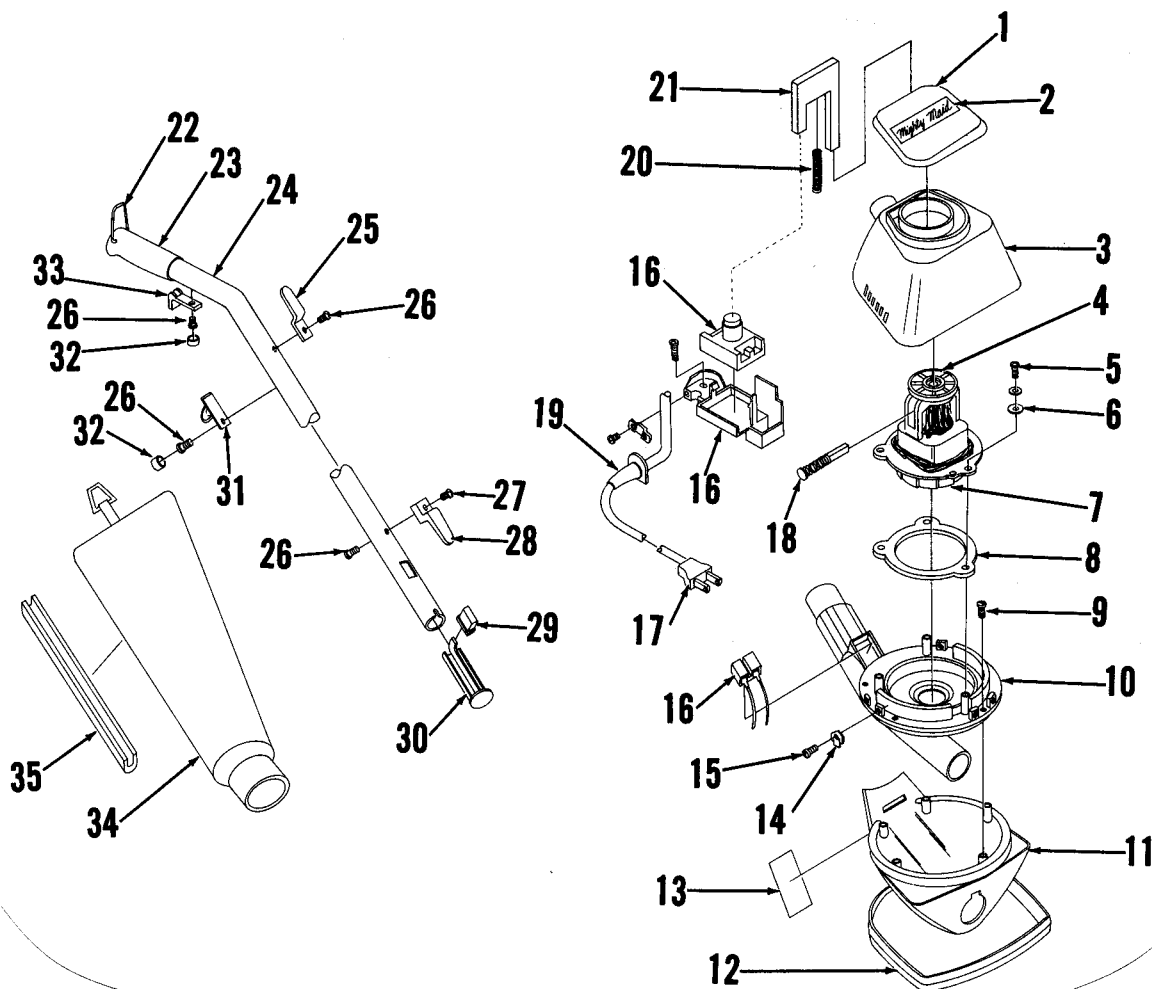
Description	Location	page
Base	C4	1
Vacuum Motor, Bag & Handle	C5	2

POWER BRUSH ASSEMBLY



Item	Part No.	Qty	Description	Item	Part No.	Qty	Description
	702310	1	Power Brush Assembly	21	702200	1	Gasket
1	702321	1	Decal Assembly, Advance	22	702051	2	Nut On-Sert, #10-24
2	702311	1	Shroud, Cover	23	702307	1	Side Panel, Right
3	702211	1	Screw	24	702306	1	Brush Clip
4	702193	1	Motor, 115V	25	702191	2	axle
5	702198	1	Gasket	26	700924	2	Wheel
6	702206	1	Gasket	27	702312	1	Housing
7	700961	1	Carbon Brush Set (2 per Set)	28	702205	1	Sleeve
8	702318	1	Lever Assembly	29	702189	1	Strain Relief
9	702317	1	Wire, Formed	30	702044	1	Cord Set
10	702309	1	Plate	31	702315	1	Clamp
11	702319	2	Seal	32	702316	2	Screw
12	702308	1	Side Panel, Left	33	702315	1	Terminal Block
13	702184	1	Belt	34	702316	1	Screw
14	702314	1	Brush Assembly	35	702203	1	Gasket
15	702204	4	Screw	36	702201	2	Gasket
16	702313	1	Bumper	37	702202	1	Gasket
17	702208	3	Screw	38	702070	2	Clamp
18	702194	2	Screw	39	702210	4	Screw
19	702216	1	Plate & Shoe assembly	40	702182	1	Swivel Adapter
20	702195	1	Spacer	41	702218	1	Latch Assembly

HANDLE AND VACUUM ASSEMBLY



Item	Part No.	Qty	Description	Item	Part No.	Qty	Description
	702320	1	Vacuum Unit Assembly (#1-21)	20	700879	1	Spring
1	702014	1	Cover, Vacuum Unit	21	700912	1	Button, On-Off
2	018416	1	Decal, Mighty Maid	22	700907	1	Hook
3	702016	1	Shroud	23	700919	1	Grip, Handle
4	702026	1	Motor, 115V	24	700853	1	Handle Assembly (#22-33)
5	700763	3	Screw	25	700981	1	Hook, Cord
6	700852	3	Washer	26	700991	5	Screw
7	702100	1	Fan, Motor	27	702068	1	Screw
8	702034	1	Gasket	28	702002	1	Hook, Cord
9	700876	5	Screw	29	702108	1	Push Button
10	700861	1	Base, Vacuum Unit	30	702110	1	Impeller Bracket
11	702012	1	Shroud	31	700979	1	Clip, Cloth Bag
12	702022	1	Bumper, Vacuum Unit	32	702006	2	Cap, Screw
13	018412	1	Decal, Name Plate	33	702106	1	Cord Guide
14	700904	6	Clamp	34	700856	1	Bag, Cloth
15	700916	6	Screw	**	700900	1	Disposable Bag (pkg of 10)
16	702018	1	Switch Kit	35	700903	1	Clip, Bag
17	700935	1	Cord Set	**	702511	1	Adapter TSB 504 - G10
18	700901	2	Brush, Vacuum Motor				
19	702020	1	Strain Relief				

** = Optional Accessory, not included