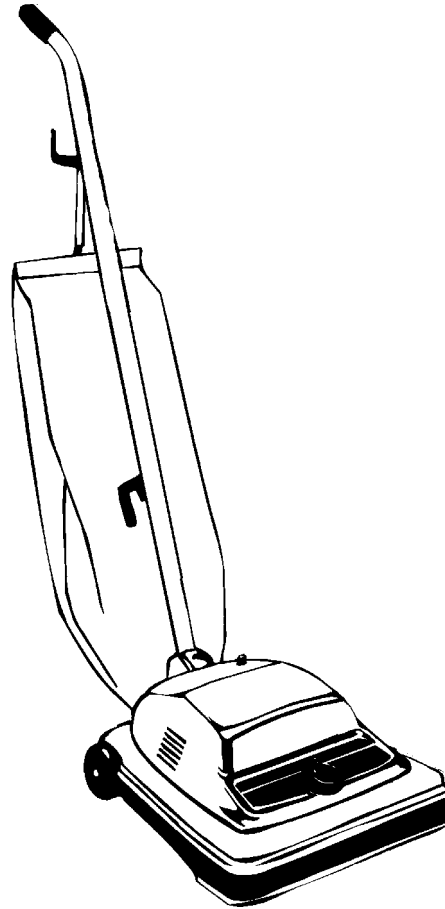


# ReliaVac™ 12HP

---

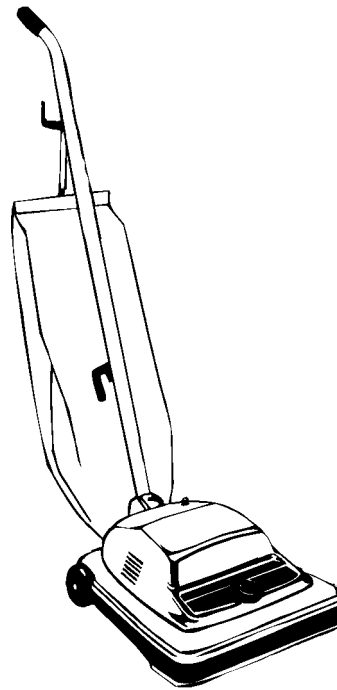


---

## **PARTS LIST**

**MODELS: 56648071, 03004A**





| DESCRIPTION                               | PAGE |
|---|------|
| Base Assembly.....                        | 2-3  |
| Handle Assembly .....                     | 4-5  |
| Wiring Diagram .....                      | 5    |
| Handle Assembly (Optional Dirt Cup) ..... | 6-7  |

WHEN ORDERING PARTS

- \* Use the part numbers from the "Ref. No." columns in this parts list.
- \* Specify the model and serial number of the machine.
- \* Use the space below to record the model and serial number for future reference.

Model \_\_\_\_\_ Serial No. \_\_\_\_\_

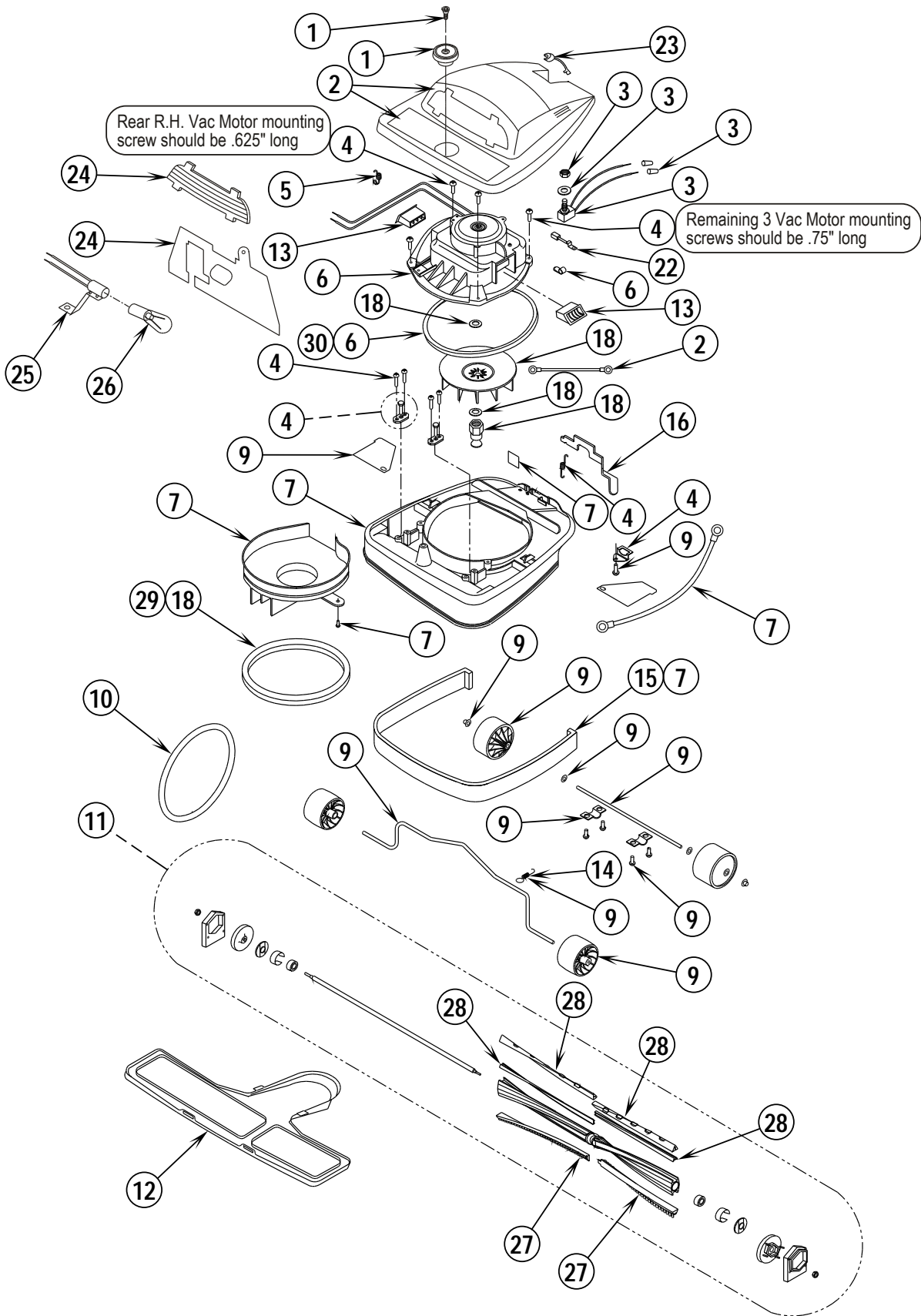
BASE ASSEMBLY

04-11

2

ReliaVac™ 12HP

09-1



04-11

**BASE ASSEMBLY**

11-3

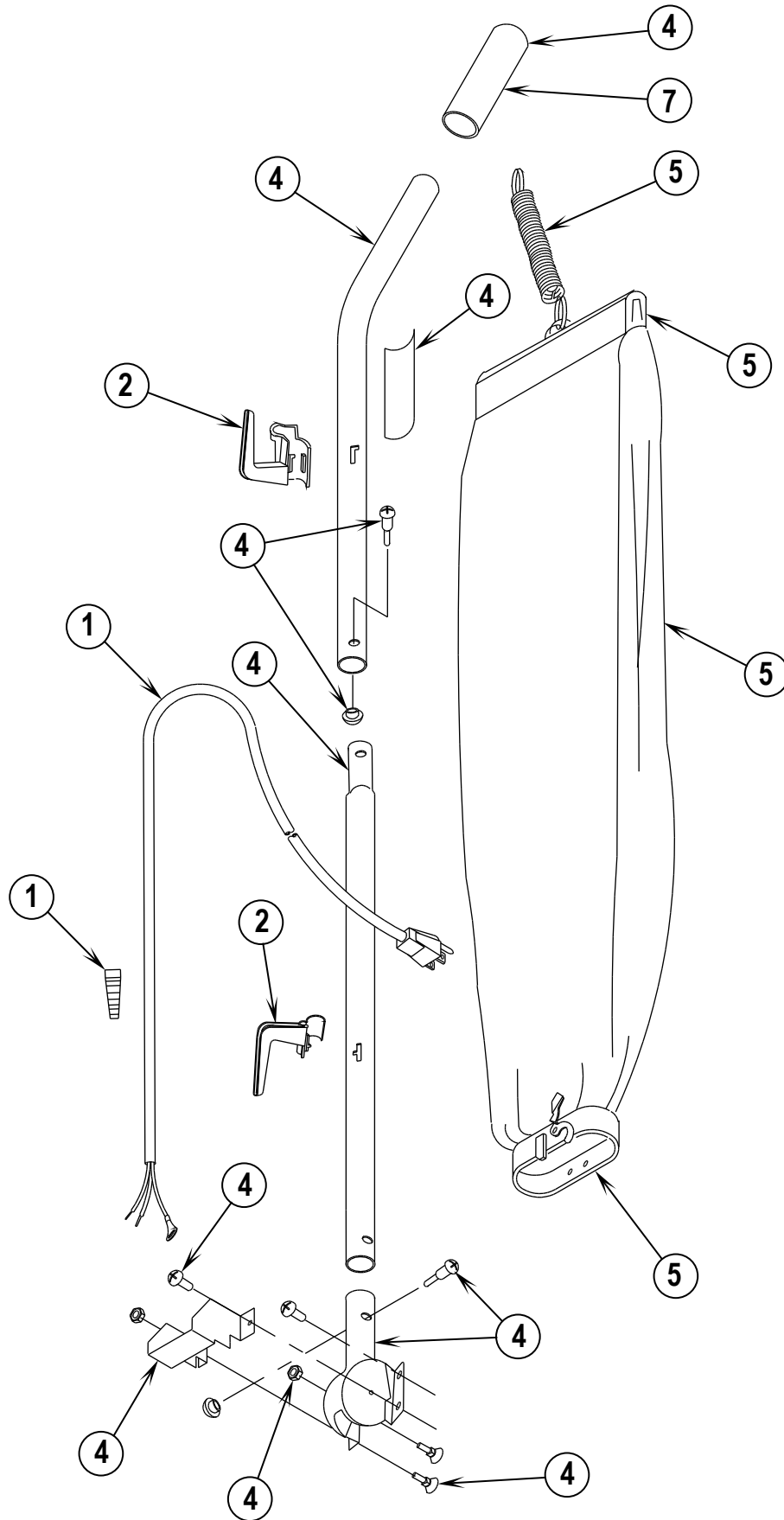
**ReliaVac™ 12HP****3**

| Item | Ref. No. | Qty | Description   |
|------|----------|-----|---|
| 1    | 56648400 | 1   | Brush Height Knob Assembly                              |
| 2    | 56648403 | 1   | Hood Assembly-Grey                                      |
|      | 30863A   | 1   | Hood Assembly-Black                                     |
| 3    | 56648405 | 1   | Switch Assembly   |
| 4    | 56648410 | 1   | Hardware Kit Base                                       |
| 5    | 56630765 | 2   | Spring, Ext .304d .930l .055wd                          |
| 6    | 56648406 | 1   | Motor & Seal Assembly                                   |
| 7    | 56648407 | 1   | Base Assembly-Grey                                      |
|      | 60584A   | 1   | Base Assembly-Black                                     |
| 9    | 56648422 | 1   | Wheel Assembly  |
| 10#  | 56381764 | 1   | Reliavac Superbelt                                      |
| 11   | 56630492 | 1   | Disturbulator, Assembly                                 |
| 12   | 56630478 | 1   | Asm, Plate--Bottom                                      |
| 13   | 56648418 | 1   | Air Duct Assembly                                       |
| 14   | 56630620 | 1   | Spring, Ext .275d 1.50l .024wd                          |
| 15   | 56630508 | 1   | Guard, Furn--Clear Blue, 31.00l                         |
| 16   | 56630395 | 1   | Pedal, Foot--Uprrt, White                               |
| 18   | 56648420 | 1   | Pulley and Fan Kit                                      |
|      | 30864A   | 1   | Pulley and Fan Kit-Green                                |
| 22   | 56630561 | 2   | Carbon Brush, Mtr                                       |
| 23   | 56648417 | 1   | Power Cord Assembly (see #1 on page 5 and #3 on page 7) |
| 24   | 56648426 | 1   | Light/Lens Kit  |
| 25   | 56630680 | 1   | Asm, Headlamp Socket                                    |
| 26   | 56630722 | 1   | Lamp, Headlight, 115V                                   |
| 27   | 56648413 | 1   | Brush Strip Kit   |
| 28   | 56648415 | 1   | Beater Bar Kit  |
| 29   | 56630562 | 1   | Gasket-Motor Seal                                       |
| 30   | 56648178 | 1   | Gasket-Motor Seal                                       |
| **   | 56052964 | 1   | Magnet, Permanent                                       |
| **   | 56630325 | 1   | Upright Vacuum Accessory Kit                            |

\* = Not Shown

\*\* = Not Included (optional)

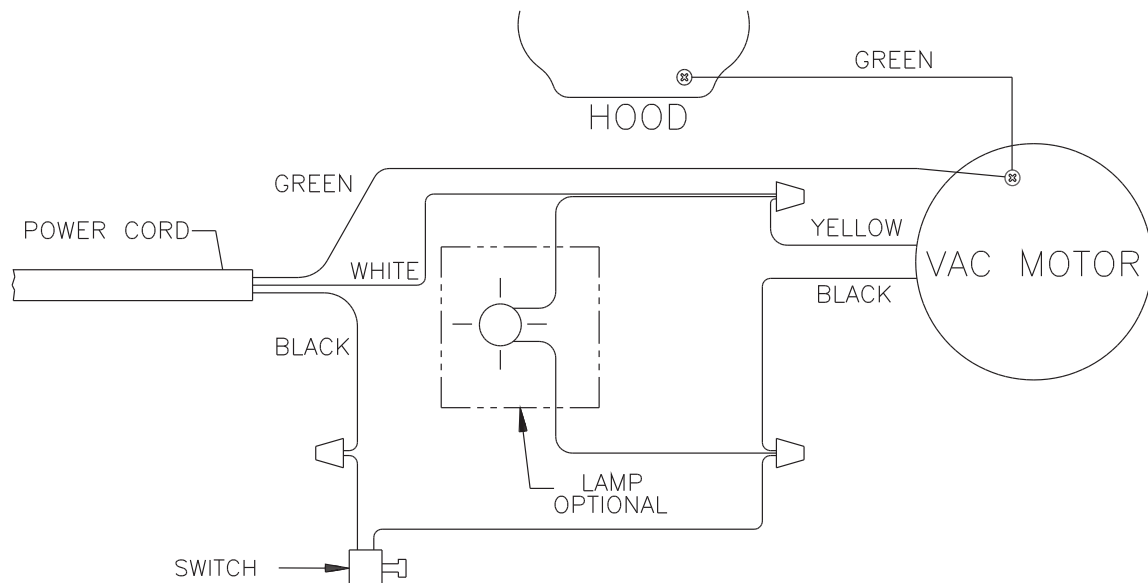
# = Revised or new since last update

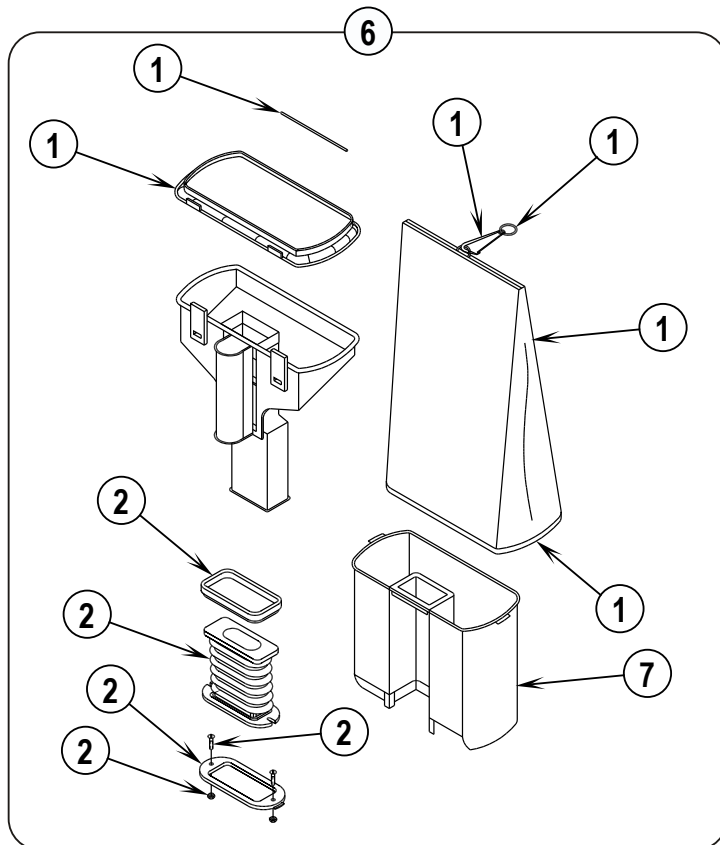
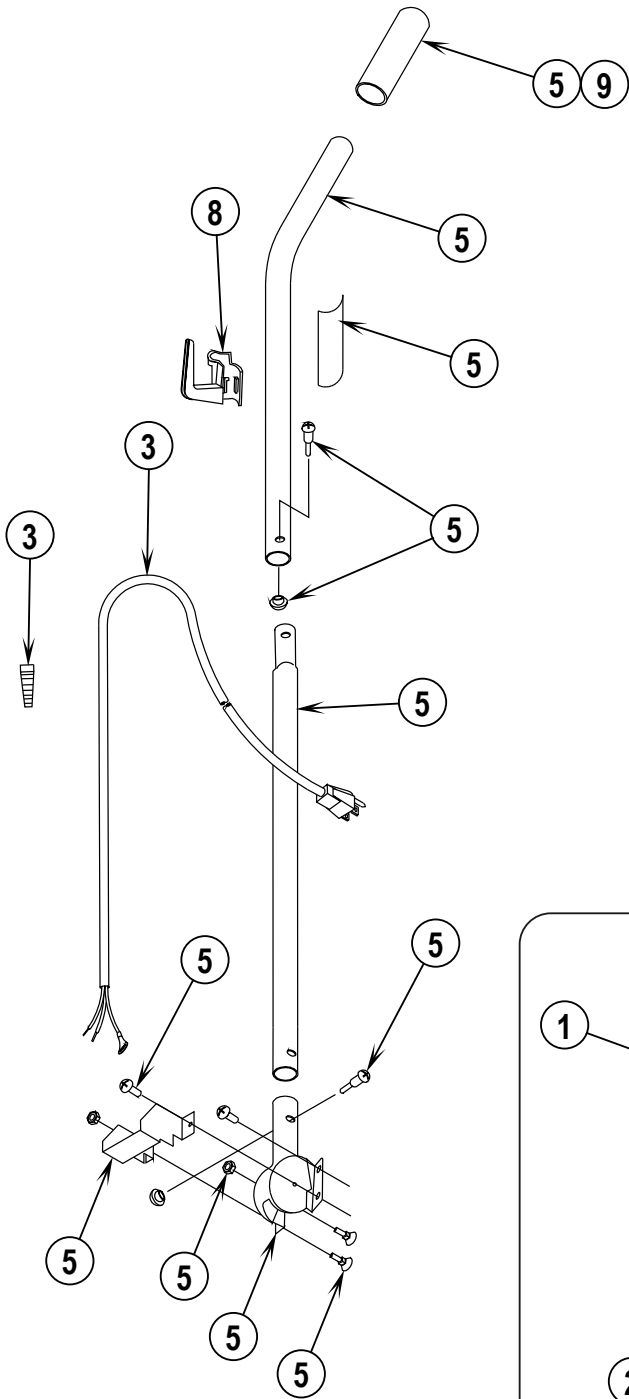


| Item | Ref. No. | Qty | Description                             |
|------|----------|-----|---|
| 1    | 56648417 | 1   | Power Cord Assembly (see #23 on page 3) |
| 2    | 56648421 | 1   | Hook Assembly                           |
| 4    | 56648424 | 1   | Handle Assembly                         |
| 5    | 56648423 | 1   | Bag Assembly                            |
| 7    | 56648429 | 1   | Grip, Handle—Dark Gray                  |
| **   | 56035451 | 1   | Asm, Bag Zip Gray TYT HD Com            |
| **   | 30880A   | 1   | Cloth Zipper Bag-Black                  |
| **   | 56637120 | A/R | Disposable Paper Bag (pkg of 10)        |
| **   | 56039515 | 1   | Kit, Dirt Cup Conversion                |
| **   | 56630249 | 1   | Dirt Cup, Clear Plastic                 |
| **   | 56648404 | 1   | Dirt Cup Bag Kit                        |
| **   | 56648427 | 1   | Dirt Cup Bellows Kit                    |

\* = Not Shown

\*\* = Not Included (optional)







04-11

**HANDLE ASSEMBLY (OPTIONAL DIRT CUP)**

07-4

**ReliaVac™ 12HP**

**7**

| Item | Ref. No. | Qty | Description                         |
|------|----------|-----|-------------------------------------|
| 1    | 56648404 | 1   | Dirt Cup Bag Kit                    |
| 2    | 56648427 | 1   | Dirt Cup Bellows Kit                |
| 3    | 56648417 | 1   | Power Cord Assy (see #23 on page 3) |
| 5    | 56648411 | 1   | Handle Assy                         |
| 6    | 56039515 | 1   | Dirt Cup Kit                        |
| 7    | 56630249 | 1   | Cup--Dirt,Clear Plstc               |
| 8    | 56630353 | 1   | Hook,Cord--Uppt,Dark Gray           |
| 9    | 56648429 | 1   | Grip,Handle—Dark Gray               |





