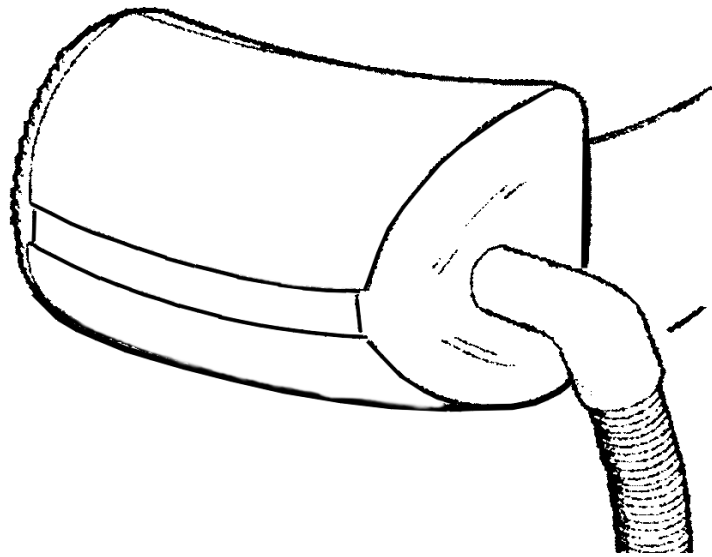


# UZ 964

Ergoclean, HipVac™



## SPARE PARTS LIST

**WHEN ORDERING PARTS ALWAYS STATE:**

- \* The 10 digit part numbers
- \* Quantity,
- \* Specify the model and serial numbers of the machine.

**For Electrical details also:**

- \* Voltage
- \* Wattage

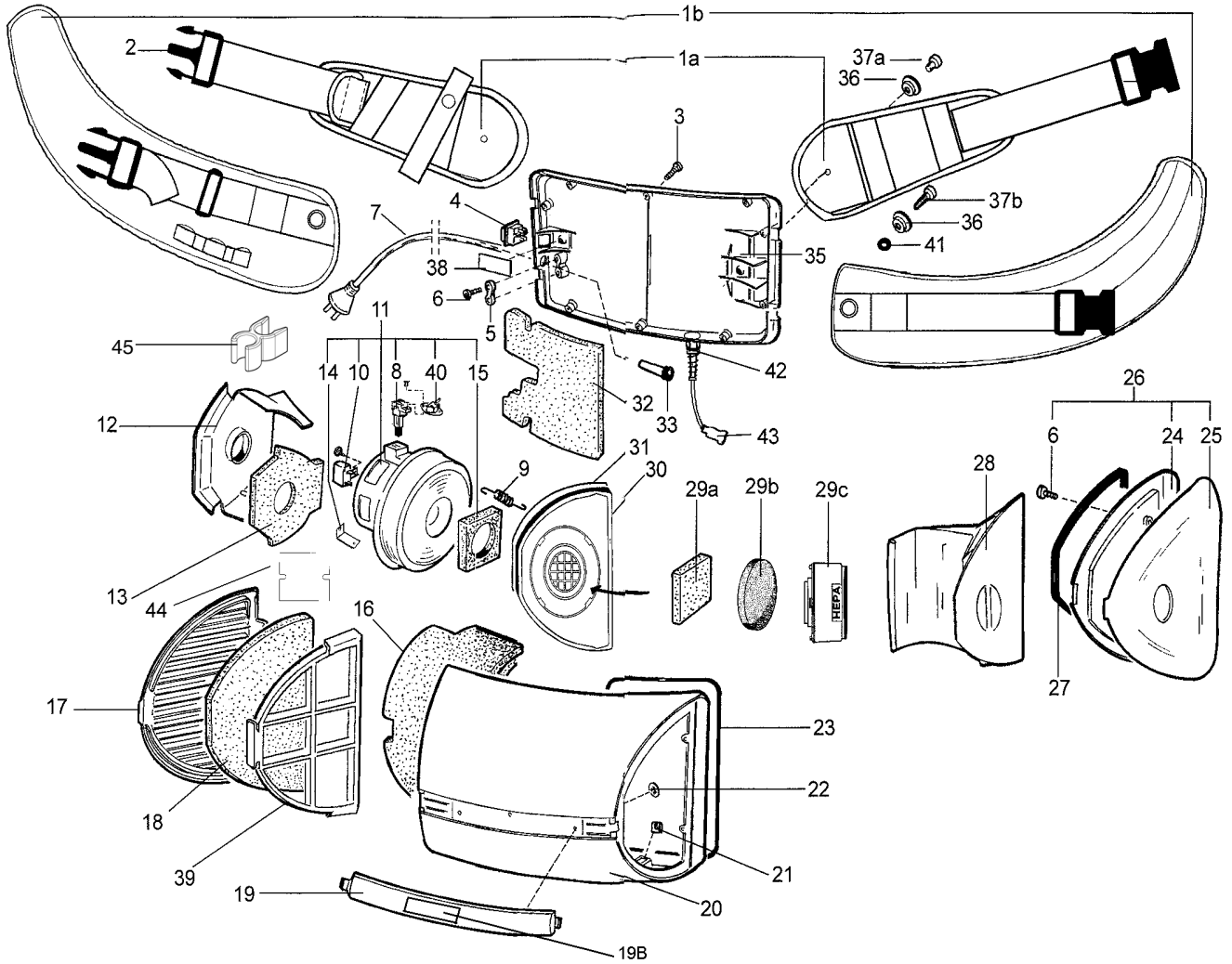
**SPARE PARTS LIST - UZ 964**

**PRINTED  
PARTS  
LIST**

**2**

**LINE DRAWING**

**06-03**



ItemNo	Qty.	Part No	Description
1a	1	<b>P</b> 140 7096 000	Belt cpl.w.locking
1b	1	140 7343 000	Belt cpl.w.locking (US-version)
2	1	140 7074 000	Locking cpl.
3	10	140 9214 150	Screw
4	1	140 5496 510	Switch
5	1	056 1014 060	Anti strain clip
	1	140 6560 000	Anti strain clip, UL-approved
6	4	140 9214 040	Screw
7	1	See page 7	Cord set
8	2	142 0947 000	Carbon brush, for 230-240V, for Tech fan units
	2	142 0947 010	Carbon brush, for 115-120V, for Tech fan units
	2	142 0947 020	Carbon brush, for 100-110V, for Tech fan units
	2	140 9885 000	Carbon brush, for 140 7143 010 400Hz motor
	2	140 8092 500	Carbon brush kit, for all VM 3 fan units
9	4	140 6792 000	Spring
10	1	140 6916 000	Suppressor - Capicator, for old type of fan unit
	1	140 8166 010	Suppressor - Capicator, for 140 8077 xxx fan unit
11	1	See page 7	Fan unit
12	1	140 6633 000	Silencer
	1	140 6633 010	Silencer, UL-approved
13	1	140 6558 000	Insulation, silencer
14	1	<b>P</b> 140 4325 000	Grounding plate
15	1	140 6791 000	Gasket
16	1	140 6556 000	Insulation, cover
17	1	140 6448 000	Exhaust gable, blue
	1	140 6448 030	Exhaust gable, grey
	1	140 6448 040	Eaxhaust gable, Alto-blue
18	1	140 6597 000	Exhaust filter
18b	1	>> 140 6597 500	Exhaust filter 3 pcs
19	1	<b>P</b> 140 6426 000	Cover strip, orange
	1	<b>P</b> 140 6426 010	Cover strip, orange UL-approved
	1	140 6426 030	Cover strip, grey
19b	1	140 7768 000	Label, Euroclean by N-A
	1	140 7861 010	Label, Euroclean HipVac Sr
	1	140 7769 000	Label, Nilfisk by N-A
20	1	140 6443 000	Cover, blue
	1	140 6443 060	Cover Alto-blue, UL-approved
	1	140 6443 040	Cover, grey
	1	140 6443 050	Cover, grey UI-approved
21	6	140 6796 000	C-clip
22	3	140 6797 000	Spring nut
23	1	140 6798 000	Gasket
24	1	140 6446 000	Inner suction gable, blue UL -approved
	1	140 6446 030	Inner suction gable, grey
	1	140 6446 040	Inner suction gable, Alto-blue UL -approved
25	1	140 6447 000	Outer suction gable, blue UL-approved
	1	140 6447 030	Outer suction gable, grey
	1	140 6447 040	Outer suction gable, Alto-blue UL-approved
26	1	140 6699 000	Suction gable compl. blue
	1	140 6699 030	Suction gable compl. grey
	1	140 6699 040	Suction gable compl. Alto-blue
27	1	140 7302 000	Gasket
28	1	140 6554 010	Dust bag 5-pack
	1	140 6554 020	Dust bag 10-pack
	1	140 6554 030	Dust bag high filtration, 1-pack
	1	140 6554 040	Dust bag high filtration, 5-pack
	1	140 6554 050	Dust bag high filtration, 10-pack
29a	1	140 6794 000	Pre filter, older version
29b	1	140 6794 010*	Pre filter, new version
29c	1	140 7160 010*	Hepa-filter, cpl.
29d	1	140 5666 000	Gasket
30	1	140 7148 000	Partition wall
	1	140 7148 010	Partition wall, UL-approved
31	1	140 6799 000	Gasket

\* Only for machines from serial no. 951400001/51400001

>> Means: New or changed ref. number or/and changed/new specifications.  
**P** Means: Depleted when no longer on stock

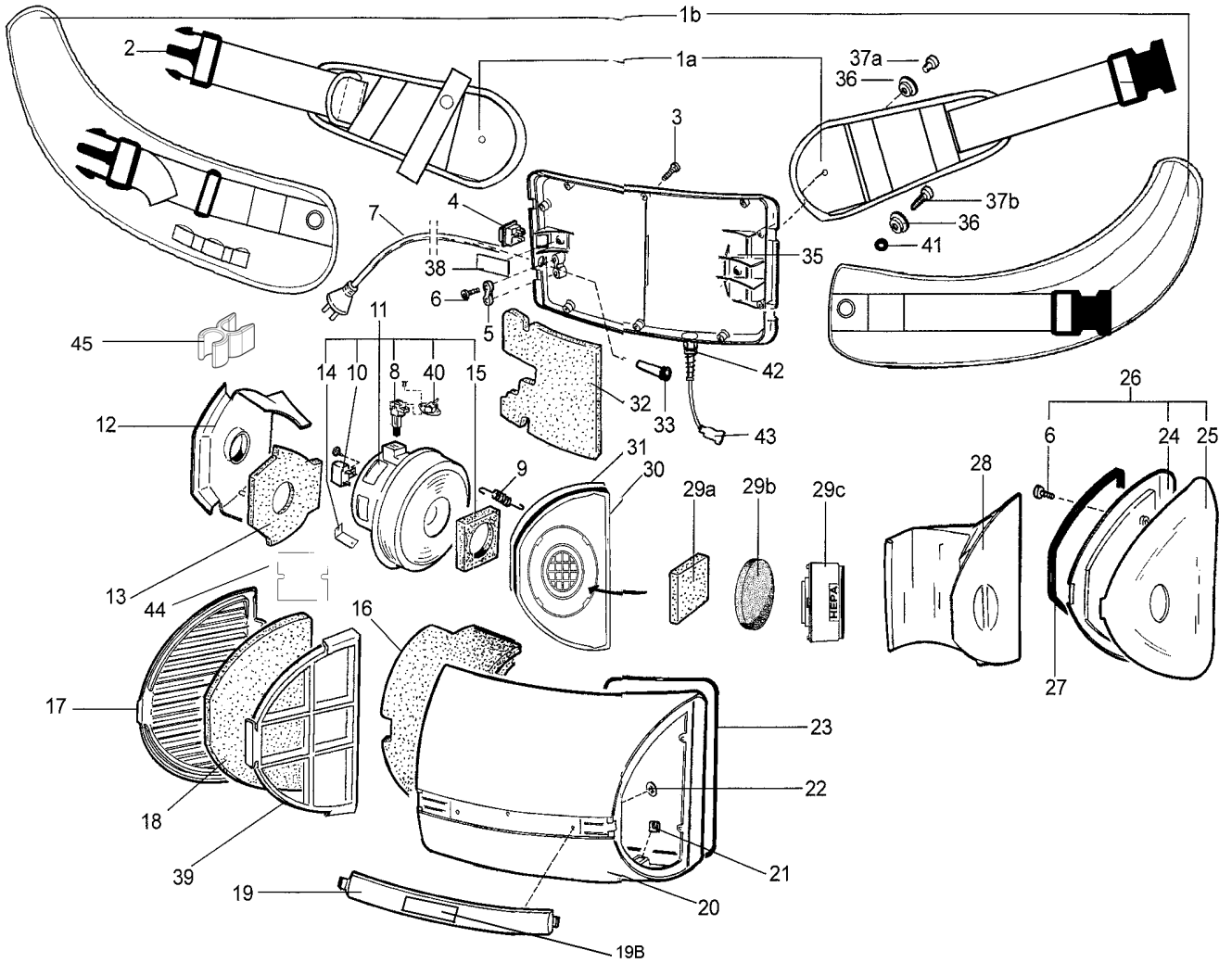
**SPARE PARTS LIST - UZ 964**

**PRINTED  
PARTS  
LIST**

**4**

**LINE DRAWING**

**06-03**



<b>PRINTED PARTS LIST</b>	<b>SPARE PARTS LIST - UZ 964</b>			
<b>06-03</b>	<b>PARTS NUMBER</b>			<b>5</b>

<u>ItemNo</u>	<u>Qty.</u>	<u>Part No</u>	<u>Description</u>
32	1	140 6557 000	Insulation, back
33	1	>> 140 7035 500	Protection sleeve
	1	>> 140 7035 510	Protection sleeve, US versions
35	1	140 6444 000	Back part, blue
	1	140 6444 020	Back part, blue, UL-approved
	1	140 6444 040	Back part, blue UL-appr. w. hole for outlet
	1	140 6444 050	Back part, grey
	1	140 6444 060	Back part, grey, UL-approved
	1	>> 140 6444 070	Back part, Alto-blue, UL-approved
		>> 140 6906 060	Back part cpl. Alto blue UL-approved
		140 6906 030	Back part cpl. grey
		140 6906 040	Back part cpl. grey UL-approved
		140 6906 050	Back part cpl. blue UL-approved w. hole for outlet
36	2	140 7696 000	Washer
37a	2	140 6559 000	Screw for belt 140 7096-000
37b	2	140 6559 010	Screw for belt 140 7343-000
38	1	140 5358 000	Insulation
39	1	140 6824 000	Filter holder
40	1	140 3894 500	Thermo protector, for old type of fan unit
42	1	140 5674 010	Connect.w.sleeve only for 905 2419, 905 2420
43	1	140 7311 000	Outlet f. power nozzle only for 905 2419
	1	140 7692 000	Outlet f.power nozzle only for 905 2420
44	1	140 7691 000	Insulating plate,110VAirpl.model
45	1	147 0808 500	Cord clip, for EU cord set.
45	1	>> 147 0808 510	Cord clip, for US/Can, TW, JP cord set.

>> Means: New or changed ref. number or/and changed/new specifications.  
P Means: Depleted when no longer on stock.

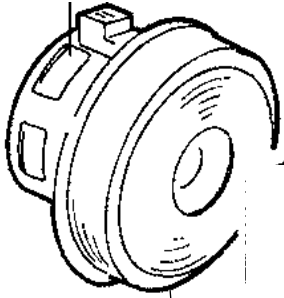
**Notes:**

The washer 140 6790 000 and spacer 140 7318 000 for fastening the belt to the back cover, is replaced by washer 140 7696 000.

**6**

**FAN UNITS, CORD SETS**

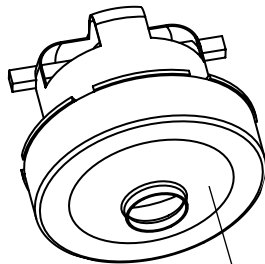
**02-08**



11



7



11B

<b>PRINTED PARTS LIST</b>	<b>SPARE PARTS LIST - UZ 964</b>			
	<b>06-10</b>	<b>FAN UNITS, CORD SETS</b>		<b>7</b>

<b>ItemNo.</b>	<b>Qty.</b>	<b>Part No.</b>	<b>Description</b>
7	1	>> 140 6423 500	Cord set 15 m, EU Double insulated
7	1	>> 140 6702 500	Cord set 15 m, JP
7	1	>> 140 6423 530	Cord set 15 m, UK
7	1	>> 140 6423 520	Cord set 15 m, CH
7	1	>> 140 3608 070	Cord set 20 m, US/JP for Aeroplane version
7	1	>> 140 6676 520	Cord set 15 m, AU
7	1	140 3859 050	Cord set 15 m, US, Grounded
11	1	<b>P</b> 140 8077 500	Fan unit 230-240V, 700W
11	1	<b>P</b> 140 8077 510	Fan unit 120V, 700W
11	1	<b>P</b> 140 8077 520	Fan unit 100-115V, 700W
11	1	<b>P</b> 140 8077 530	Fan unit 120W, 1000W
11	1	<b>P</b> 140 7143 010	Fan unit 120V 400Hz -Aeroplane version
11B	1	>>147 1120 500	FAN UNIT KIT AMETEK 700W 230-240V
11B	1	>>147 1120 510	FAN UNIT KIT AMETEK 700W 120V
11B	1	>>147 1120 520	FAN UNIT KIT AMETEK 700W 100V
11B	1	>>147 1120 540	FAN UNIT KIT AMETEK1000W 120V
11B	1	>>147 1134 500	FAN UNIT KIT AMETEK 120V 400Hz - Aeroplane version

>> Means: New or changed ref. number or/and changed/new specifications.

**P** Means: depleted when no longer on stock

**WHEN ORDERING PARTS ALWAYS STATE:**

- \* The 10 digit part numbers
- \* Quantity,
- \* Specify the model and serial numbers of the machine.

**For Electrical details also:**

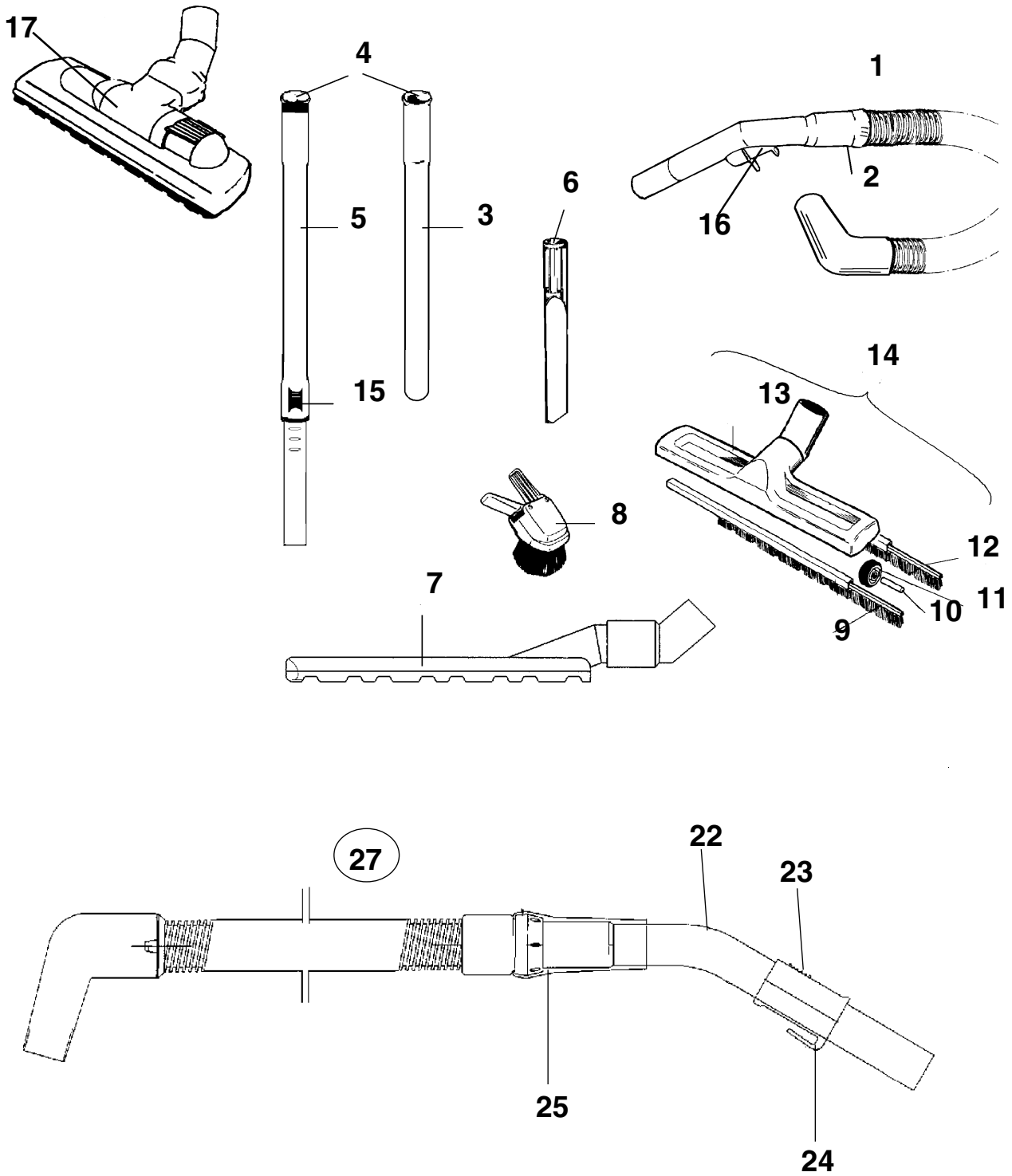
- \* Voltage
- \* Wattage

SPARE PARTS

8

NOZZLES & HOSE, LINE DRAWING

06-09





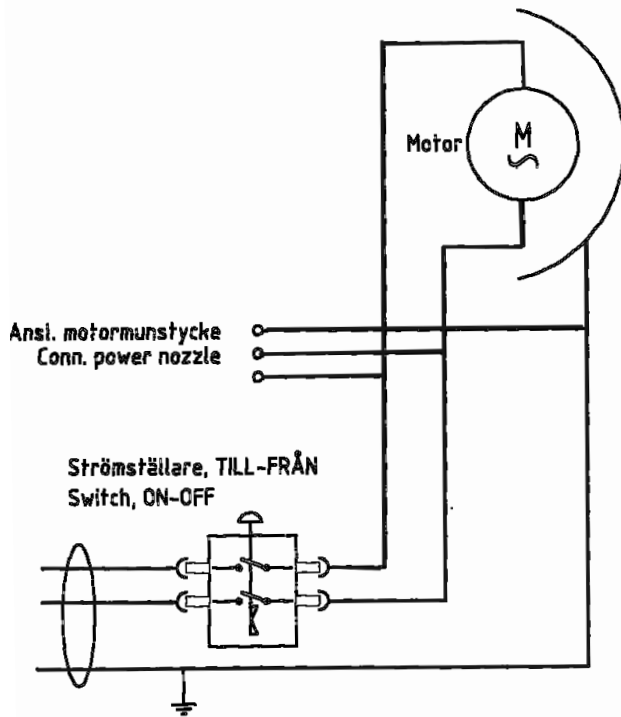
<b>PRINTED PARTS LIST</b>	<b>SPARE PARTS</b>			
	<b>06-01</b>	<b>NOZZLES &amp; HOSE, PART NUMBERS</b>		<b>9</b>

<u>Item.</u>	<u>Qty.</u>	<u>Part No</u>	<u>Description</u>	
1	1	140 7082 000	Hose with sleeve	
1	1	140 5691 000	Hose cpl. With bent end piece and sleeve Ø 0.10 ft (32 mm) Black hose, plastic bent end	
2	1	>> 140 7584 500	Bent end piece cpl. Plastic	
3	2	>> 011 6431 500	Extension tube, al. 50 cm -19.6 in	
3	2	032 3290 010	Extension tube, pl.	
4	2	011 3199 010	Insert, for aluminum extension tubes	
5	1	>> 011 8130 500	Telescopic extension tube aluminium 630 -950 mm	
6	1	>> 010 3098 500	Crevice nozzle	
7	1	140 7547 000	Paddle nozzle	
8	1	>> 011 3104 500	Small comb. nozzle	
9	1	<b>P</b> 140 8741 000	Brush strip, front	
10	2	<b>P</b> 140 8744 000	Shaft	
11	2	<b>P</b> 140 8743 000	Wheel	
12	1	<b>P</b> 140 8741 010	Brush strip, rear	
13	1	<b>P</b> 140 8740 000	Top	
14	1	>> 140 6700 540	Nozzle compl.	
15	1	<b>P</b> 011 8136 020	Regulator	
16	1	<b>P</b> 012 5475 000	Rubber packing	
17	1	>> 140 7087 500	Combination nozzle	
18	1	<b>P</b> 145 9928 000	Base plate cpl.	
19	1	<b>P</b> 145 9929 000	Brush	
20	2	<b>P</b> 093 1813 000	Little Picker	
21	1	<b>P</b> 145 9930 000	Bottom plate	
22	1	>> 011 6432 510	Bent end piece. Aluminium	
23	1	>> 010 9613 080	Suction control	
24	1	>> 010 9614 080	Retainer	
25	1	>> 011 8209 030	Sleeve	
27	1	>> 140 8070 000	Hose cpl. with bent end	Ø 0.10 ft (32 mm) Black hose, Aluminium bent end

>> Means: New or changed ref. number or/and changed/new specifications.

**P** Means: depleted when no longer on stock

Termoskydd ingår i motorn.  
Thermal protection incl. in motor.

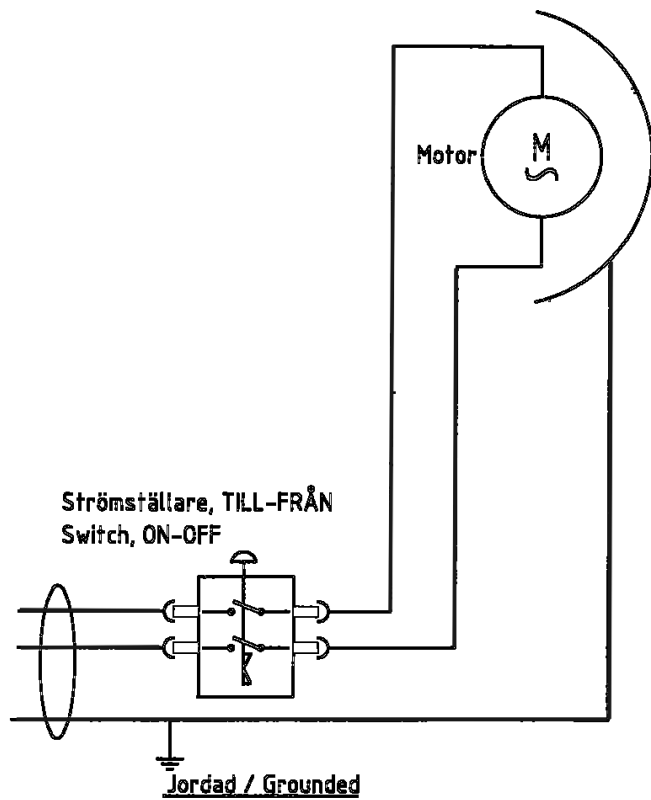


Jordad med motormunstycke  
Grounded with power nozzle

WIRING DIAGRAM  
FOR 140 8077 XXX  
FAN UNITS

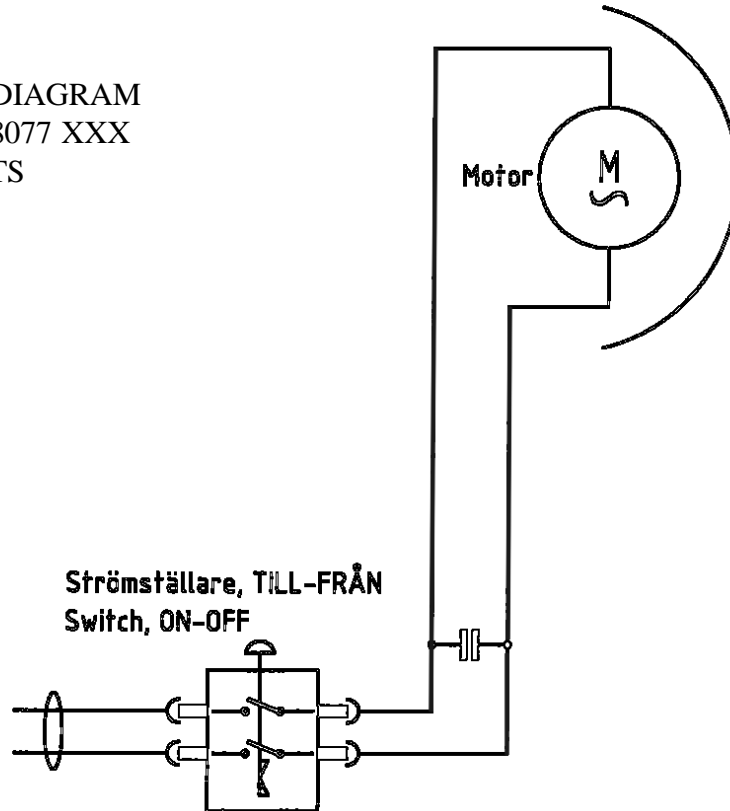
Termoskydd ingår i motorn.  
Thermal protection incl. in motor.

WIRING DIAGRAM  
FOR 140 8077 XXX  
FAN UNITS

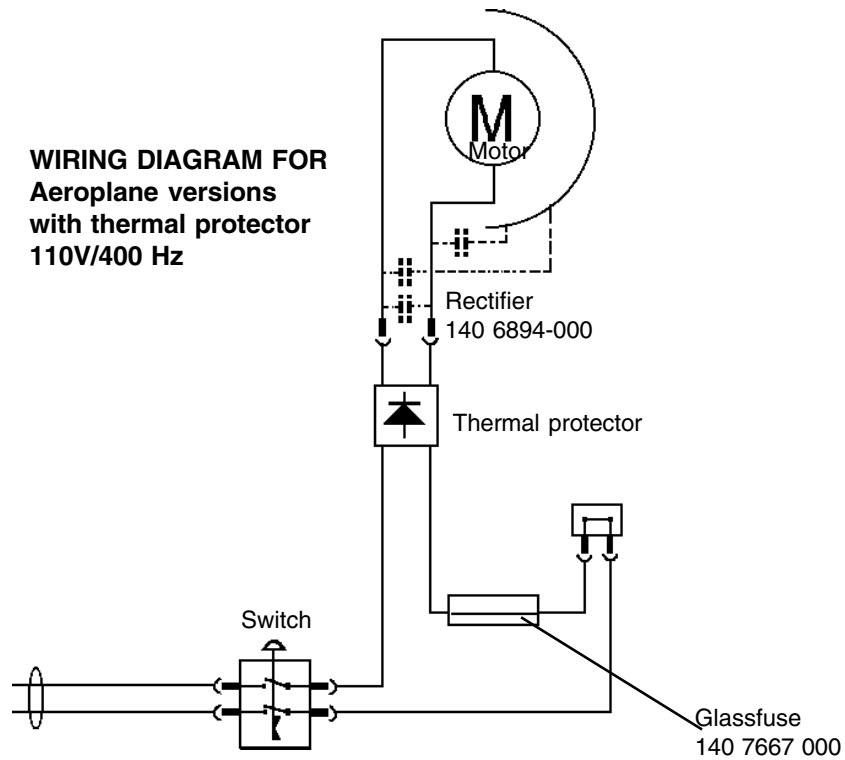


Termoskydd ingår i motorn.  
Thermal protection incl. in motor.

WIRING DIAGRAM  
FOR 140 8077 XXX  
FAN UNITS



WIRING DIAGRAM FOR  
Aeroplane versions  
with thermal protector  
110V/400 Hz



**SPARE PARTS LIST**

**UZ 964 ERGOCLEAN, HIPVAC™**

**NOTES:** \_\_\_\_\_

\_\_\_\_\_

\_\_\_\_\_

\_\_\_\_\_

\_\_\_\_\_

\_\_\_\_\_

\_\_\_\_\_

\_\_\_\_\_

\_\_\_\_\_

\_\_\_\_\_

\_\_\_\_\_

\_\_\_\_\_

\_\_\_\_\_

\_\_\_\_\_

\_\_\_\_\_

\_\_\_\_\_

\_\_\_\_\_

\_\_\_\_\_

\_\_\_\_\_

**WHEN ORDERING PARTS ALWAYS STATE:**

- \* The 10 digit part numbers
- \* Quantity,
- \* Specify the model and serial numbers of the machine.

**For Electrical details also:**

- \* Voltage
- \* Wattage