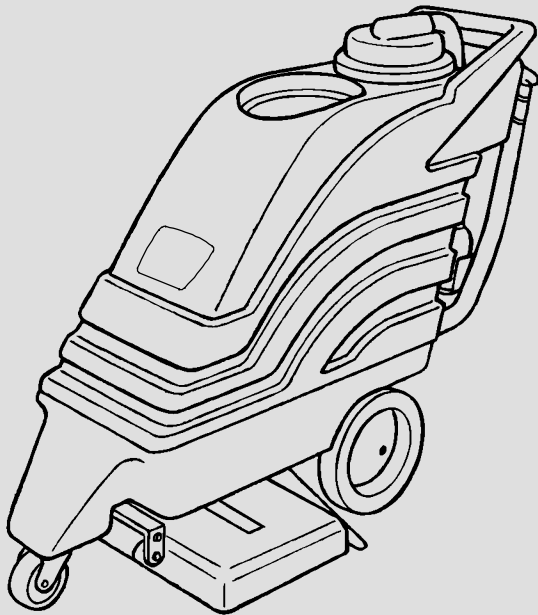




EX-SC-1020P

Self Contained Carpet Extractor

Parts Manual



Model Part No.:
9007480 - EX-SC-1020P - (120V)
9007482 - EX-SC-1020P - (120V) CSA



www.tennantco.com

NOBLES

www.nobles.com

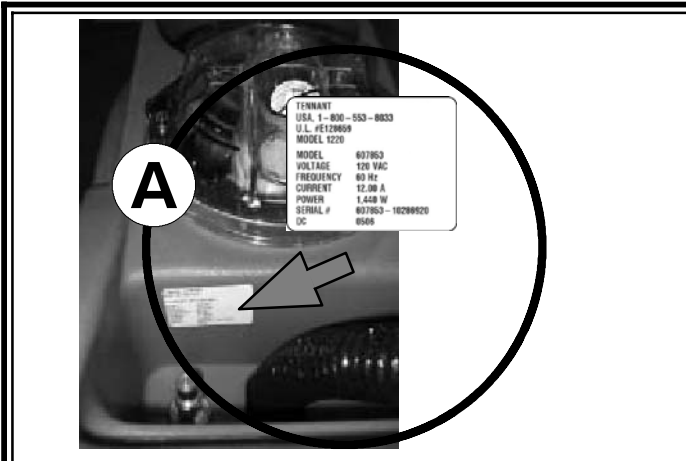


To view, print or download
the latest manual, visit:

www.tennantco.com/manuals

9007537
Rev. 02 (04-2013)





Ref	Part No.	Serial Number	Description	Qty.
1	82681	(000000-)	Bracket Wldt, Lpg Mount	1
2	63810	(000000-)	Ch Assy, Lpg Tank Mtg, W/Nut	4
3	51839	(000000-)	at Adjustable, Lpg Tank Mtg	2
4	49263	(000000-)	Tie, Cable	3
	82556	(000000-001039)	Bracket, Vaporizer	1
	54930	(000000-)	Vaporizer	1

HOW TO ORDER PARTS - See diagram above

Only use TENNANT Company supplied or equivalent parts. Parts and supplies may be ordered online, by phone, by fax or by mail.

Follow the steps below to ensure prompt delivery.

1. (A) Identify the machine model.
2. (A) Identify the machine serial number from the data label.
3. (B) Ensure the proper serial number is used from the parts list.
4. Identify the part number and quantity.
Do not order by page or reference numbers.
5. Provide your name, company name, customer ID number, billing and shipping address, phone number and purchase order number.
6. Provide detail shipping instructions.

- (C) ▽ - identifies an assembly
 ▲ - identifies parts included in assembly
 (D) ● - identifies a recommended stock item

Please fill out at time of installation for future reference.

Model No. - _____
 Serial No. - _____
 Machine Options - _____
 Sales Rep. - _____
 Sales Rep. phone no. - _____
 Customer ID Number - _____
 Installation Date - _____

Tennant Company

PO Box 1452
 Minneapolis, MN 55440
 Phone: (800) 553-8033 or (763) 513-2850

www.tennantco.com
 www.nobles.com

Specifications and parts are subject to change without notice.

Copyright © 2010-2013 TENNANT Company, Printed in U.S.A.

CN	<p>如何订购部件 - 参见下表 仅使用 TENNANT 公司提供的或同等部件。部件和供应可以在线订购，通过电话、传真或邮件订购。 请遵循下面的步骤确保及时交付。</p> <ol style="list-style-type: none"> 1. (A) 确定机器型号。 2. (A) 从数据标签确定机器序列号。 3. (B) 确保使用部件列表中的正确序列号。 4. 确定部件号和数量。 不要按页面或参考编号订购。 5. 提供您的姓名、公司名称、客户 ID 号、付帐和送货地址、 电话号码和采购单编号。 6. 提供详细的送货说明。 <hr/> <p>(C) ▽ - 确定组件 ▲ - 确定组件中包含的组件 (D) ● - 确定建议的库存项</p>	<p>请在安装时填写供未来参考。</p> <p>型号 - _____</p> <p>序列号 - _____</p> <p>机器选项 - _____</p> <p>销售代表 - _____</p> <p>销售代表电话号码 - _____</p> <p>客户 ID 编号 - _____</p> <p>安装日期 - _____</p>
-----------	---	--

ES	<p>CÓMO SOLICITAR PIEZAS - Consulte el diagrama anterior.</p> <p>Utilice sólo las piezas suministradas por TENNANT Company o piezas equivalentes. Puede solicitar las piezas a través de internet, por teléfono, por fax o por correo.</p> <p>Siga los siguientes pasos para que la entrega sea rápida.</p> <ol style="list-style-type: none"> 1. (A) Indique el modelo de máquina. 2. (A) Indique el número de serie de la etiqueta de datos. 3. (B) Asegúrese de que indica el número de serie correcto de la lista de piezas. 4. Indique la cantidad y el número de la pieza. No realice el pedido indicando el número de página o el de referencia. 5. Incluya su nombre, el nombre de la empresa, el ID de cliente, las direcciones de envío y facturación, el número de teléfono y el número del pedido de compra. 6. Facilite instrucciones de envío. <hr/> <p>(C) ▽ - identifica un conjunto ▲ - identifica piezas de un conjunto (D) ● - identifica un artículo que conviene tener en stock</p>	<p>Rellene estos datos cuando realice la instalación para utilizarlos como referencia en el futuro.</p> <p>Nº modelo - _____</p> <p>Nº serie - _____</p> <p>Opciones de la máquina - _____</p> <p>Vendedor - _____</p> <p>Nº teléfono vendedor - _____</p> <p>Nº cliente - _____</p> <p>Fecha de instalación - _____</p>
-----------	--	---

FR	<p>COMMENT COMMANDER DES PIÈCES DÉTACHÉES - Voir le schéma ci-dessus.</p> <p>Utilisez uniquement des pièces fournies par la société TENNANT ou équivalentes. Les pièces et fournitures peuvent être commandées en ligne, par téléphone, fax, ou par courrier.</p> <p>Suivez les étapes ci-dessous pour assurer une livraison rapide.</p> <ol style="list-style-type: none"> 1. (A) Identifiez le modèle de la machine. 2. (A) Identifiez le numéro de série de la machine, à partir de l'étiquette signalétique. 3. (B) Assurez-vous que le numéro de série correct est utilisé à partir de la liste de pièces détachées. 4. Identifiez le numéro de pièce et la quantité. Ne commandez pas par page ou numéros de référence. 5. Fournissez votre nom, le nom de votre société, votre numéro d'identification de client, l'adresse de facturation et d'expédition, le numéro de téléphone et le numéro du bon de commande. 6. Fournissez des instructions d'expédition détaillées. <hr/> <p>(C) ▽ - identifie un assemblage ▲ - identifie les pièces composant l'assemblage (D) ● - identifie un article de stock recommandé</p>	<p>A remplir au moment de l'installation à titre de référence.</p> <p>Nº du modèle - _____</p> <p>Nº de série - _____</p> <p>Options de la machine - _____</p> <p>Agent commercial - _____</p> <p>Nº tél. de l'agent commercial - _____</p> <p>Numéro d'identification client - _____</p> <p>Date d'installation - _____</p>
-----------	--	---

JP	<p>パーツの発注方法 ? 上記の図を参照してください</p> <p>TENNANT社製のパーツまたは同等品のみをお使いください。パーツやサプライ品のご注文は、オンライン、電話、FAX、または手紙でお願いいたします。</p> <p>確実にお届けできるように、以下の情報お知らせください。</p> <ol style="list-style-type: none"> 1. (A) 製品のモデル名をお知らせください。 2. (A) 製品のデータラベルに印刷されているシリアル番号をお知らせください。 3. (B) パーツリストを参照して、シリアル番号が正しいかご確認ください。 4. パーツ番号と数量をお知らせください。マニュアル/カタログの ページ番号や参照番号でのご注文はご遠慮ください。 5. お客様のお名前、会社名、顧客ID番号、請求/発送先住所、電話番号、注文書番号をお知らせください。 6. 発送に関するご希望があれば、明記してください。 <hr/> <p>(C) ▽ - アセンブリを示します ▲ - アセンブリに含まれるパーツを示します (D) ● - 当社推薦の在庫用品を示します</p>	<p>後日確認できるように、設置時に記入してください。</p> <p>モデルNo. - _____</p> <p>シリアルNo. - _____</p> <p>製品のオプション - _____</p> <p>販売代理店 - _____</p> <p>販売代理店の電話番号 - _____</p> <p>顧客ID番号 - _____</p> <p>設置日 - _____</p>
-----------	--	---

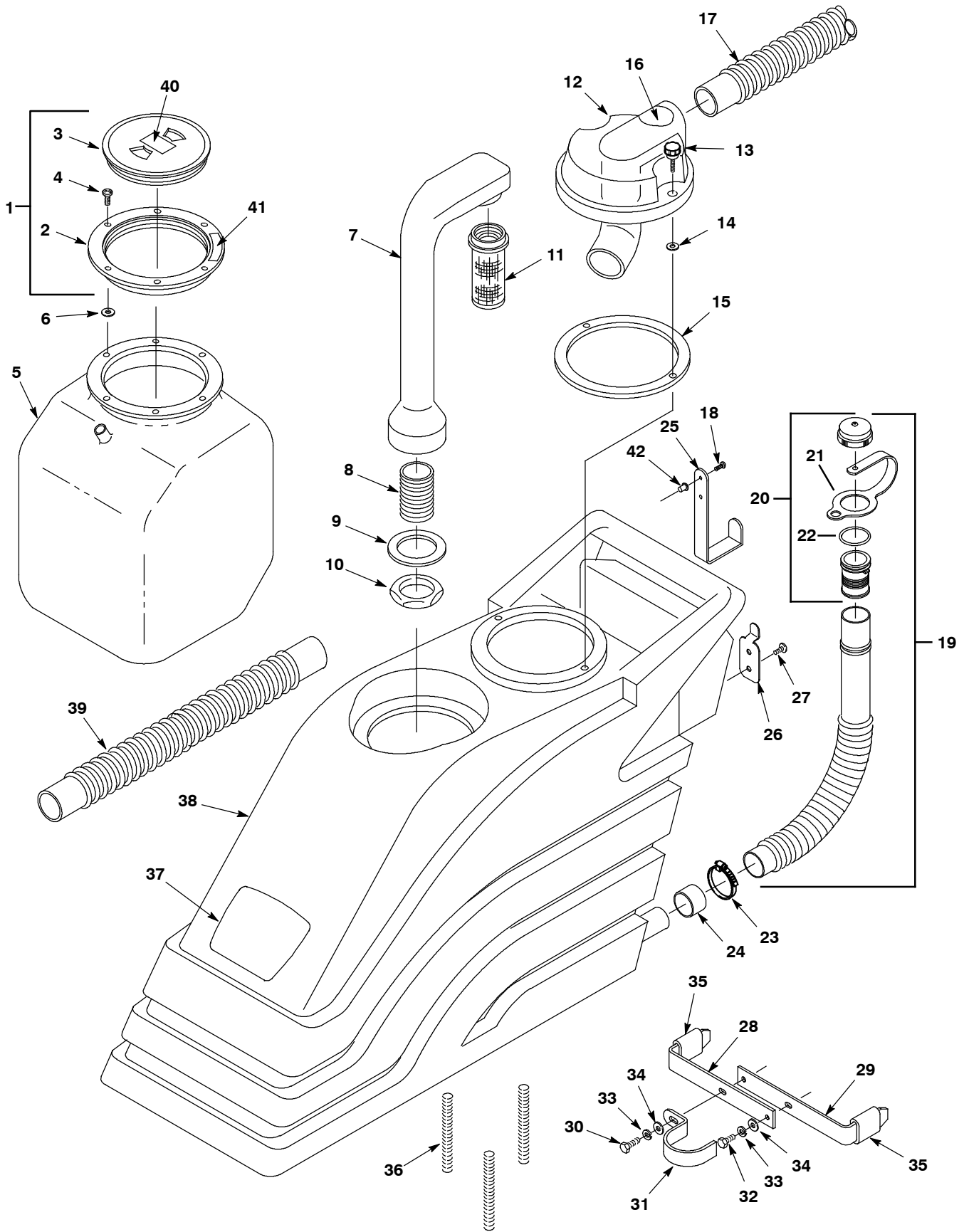
STANDARD PARTS

RECOVERY TANK GROUP 6
CHASSIS GROUP 8
CONTROL CONSOLE GROUP 10
BRUSH BASE GROUP 12
BRUSH ASSEMBLY BREAKDOWN 14
BRUSH HOUSING LIFT LEVER GROUP 15
SOLUTION GROUP 16
PUMP BREAKDOWN 18
WIRING DIAGRAM, 120V 19

OPTIONS

HAND TOOL, 5 IN (127 mm) 20
CREVICE TOOL, 3 in (76 mm) 21
UPHOLSTERY TOOL, LOW PRESSURE 22
HOSES, LOW PRESSURE SOLUTION AND
VACUUM 23
FLOOR TOOL, LOW PRESSURE 13 in (330 mm) 24
FLOOR TOOL, LOW PRESSURE 16 in (406 mm) 26
PUMP-UP CARPET SPRAYER 28

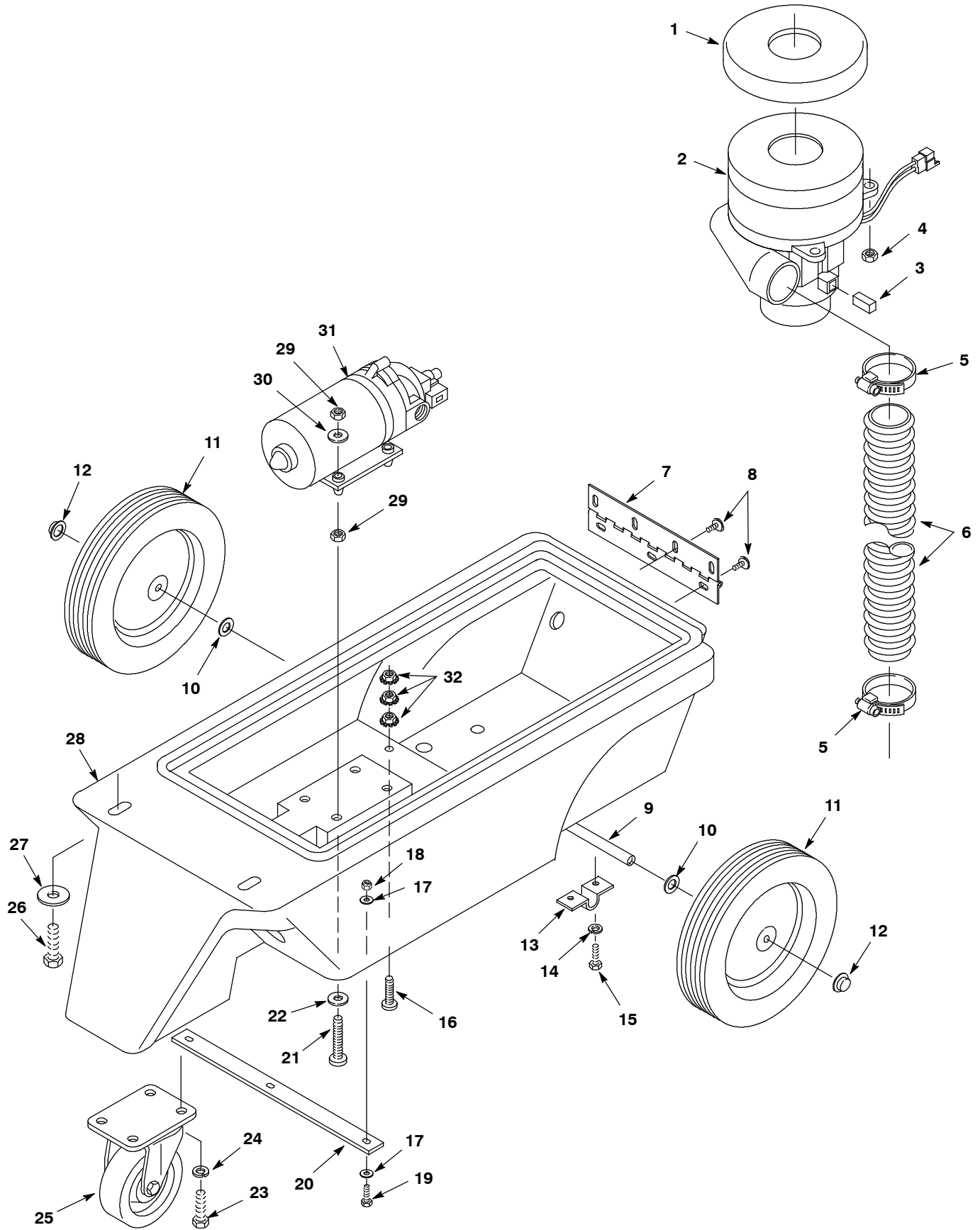
RECOVERY TANK GROUP



RECOVERY TANK GROUP

Ref.	Part No.	Serial Number	Description	Qty.
▽	1	100103	(00000000-) ● Cover Assy, Clr [W/ Countersunk Holes]	1
▲	2	600812	(00000000-) Ring, Outer, Lid	1
▲	3	100105	(00000000-) ● Vr, Cover, Lid, Clr Cntr	1
	4	140900	(00000000-) Screw, Trs, Phl, 10-24 X 0.75, Ss	6
	5	1006364	(00000000-) Tank, Flexible, 10gal [Bladder]	1
	6	140000	(00000000-) Washer, Flat, 0.28b 0.62d .04, Ss	6
▽	7	602448	(00000000-) Pipe, Standpipe, W/ Nipple [L20]	1
▲	8	606088	(00000000-) Fitting, Plstc, Str,Pm24/Pm24[Nipl Cpvc]	1
	9	230159	(00000000-) Seal, Org, Standpipe	1
	10	210240	(00000000-) Nut, Hex, Flng, Pf24, Metal	1
	11	180613	(00000000-) ● Float, Shutoff, 1-Ball, 2.00d	1
▽	12	701005	(00000000-) Rec.Dome Assy, W/ E, 8/10 Gal (Line 20	1
▲	13	240217	(00000000-) ● Knob, Rnd, 0.75d 1.25l .25-20, Plstc, Ss	2
▲	14	140037	(00000000-) Washer, Flat, 0.22b 0.44d .03, Nyl	2
▲	15	100042	(00000000-) ● Gasket, Dome, Recvy Tank	1
▲	16	120399	(00000000-) Label, Warning[Do Not Allow Foam, Txtls]	1
	17	603547	(00000000-) Hose, Vacuum, 1.50id X 046.0l, 2cuff,Blk	1
	18	140887	(00000000-) Screw, Pan, 10-24 X 0.38, Ss	2
▽	19	1007072	(00000000-) ● Hose Assy, Drain, 1.50id X 21.9l, Blk	1
▲▽	20	1008639	(00000000-) ● Cap, Drain Assy	1
▲▲	21	1019563	(00000000-) ● Strap, Cap, Drain	1
▲▲	22	1008637	(00000000-) ● Seal, Org, 1.48id 1.76od	1
	23	614157	(00000000-) Clamp, Hose, Wormdrive, 1.06-2.00d, .50w	1
	24	1009610	(00000000-) Sleeve, Rbr, 1.25b 1.50d 1.0l	1
	25	230755.BK	(00000000-) Hook, Hanger, Cord, Blk	1
	26	1006890	(00000000-) Clip, Hanger, Hose, .16d, 2hole	1
	27	140825	(00000000-) Screw, Pan, Phl, 06 X 0.50, Fmg/Ab, Blk	2
	28	230844	(00000000-) Bracket, Brace, Tank, W/ Hole	1
	29	230843	(00000000-) Bracket, Brace, Tank, W/ Thrd	1
	30	01697	(00000000-) Screw, Hex, .25-20 X 0.62, Ss	1
	31	230955	(00000000-) Clamp, Brace, Tank	2
	32	01696	(00000000-) Screw, Hex, .25-20 X 0.50, Ss	1
	33	140016	(00000000-) Washer, Lock, Split, 0.25, Ss	2
	34	140000	(00000000-) Washer, Flat, 0.28b 0.62d .04, Ss	2
	35	102569	(00000000-) Grip, Handle, Foam, Blk .75id X 4.25l	1
	36	140227	(00000000-) Screw, Stud, .25-20 X 5.00	3
	37	1060464	(00000000-) Label, Logo, Cmdty, Dual, Large	1
	38	1033135	(00000000-) Tank, Recvy, Rm-Cphg, Afmkt [10Gal, Ex-10]	1
	39	160424	(00000000-) Hose, Vacuum, 1.50id X 036.0l, 2cuff	1
	40	120906	(00000000-) Label, Warning [Important-Drain]	1
	41	120907	(00000000-) Label, Warning [Important-Always Close]	1
	42	140637	(00000000-) Nut, Well, #10-32	2

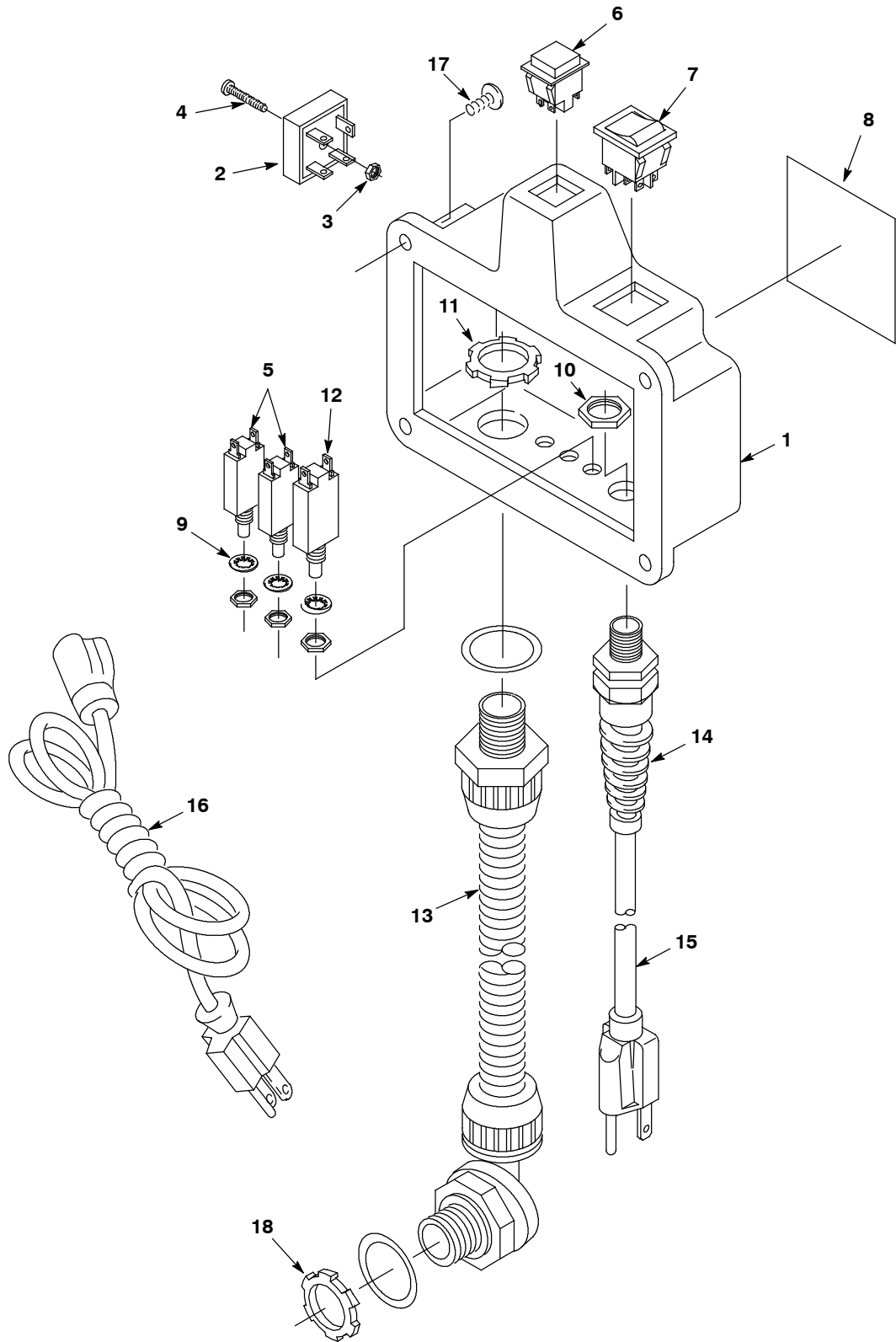
CHASSIS GROUP



CHASSIS GROUP

Ref.	Part No.	Serial Number	Description	Qty.
	1	100118	(00000000-)● Gasket, Vac Mtr 1/4 X 5.7d	1
▽	2	1063409	(MAR2011-)● Fan, Vacuum, 5.7d, 120vac, 3 Stage	1
▲	3	1064112	(MAR2011-)● Vr, Brush Kit, Motor, Fan 120vac	1
▽	2	1041005	(00000000-FEB2011)● Fan, Vacuum, 120v 60hz, 5.7", 3 Stg (Replaced By 1063409)	1
▲	3	1041770	(00000000-FEB2011)● Vr, Brush Kit, Motor, Fan 120 Vac (For Motor 1041005)	2
▲		1041766	(00000000-FEB2011)● Vr, Cover, Cooling Fan (For Motor 1041005)	1
	4	41169	(00000000-) Nut, Hex, Lock, .25-20, NI, Ss	4
	5	140308	(00000000-) Clamp, Hose, Wormdrive, 1.31-2.25d, Ss	2
	6	1022164	(00000000-)● Hose, Vacuum, 2.00id X 026.0l, Blk	1
	7	230390	(00000000-) Hinge, .19pin .06 2.0w 08.8l, Yel Pl	1
	8	140885	(00000000-) Screw, Trs, .25-20 X 0.50, Phl, Ss	7
	9	230739	(00000000-) Axle, Wheel .5d X 13.13	1
	10	140008	(00000000-) Washer, Flat, 0.57b 1.28d .08, Ss	2
	11	103068	(00000000-)● Wheel, 10.0d 1.78w, 0.50b, Gray Hub/Tread	2
	12	103019	(00000000-) Nut, Retainer, 0.50d 0.29l, Ss	2
	13	230746	(00000000-) Bracket, Axle, .5d, Offset	2
	14	140016	(00000000-) Washer, Lock, Split, 0.25, Ss	4
	15	01697	(00000000-) Screw, Hex, .25-20 X 0.62, Ss	4
	16	140804	(00000000-) Screw, Rnd, Phl, 10-24 X 1.00, Ss	1
	17	140000	(00000000-) Washer, Flat, 0.28b 0.62d .04, Ss	6
	18	41169	(00000000-) Nut, Hex, Lock, .25-20, NI, Ss	3
	19	140208	(00000000-) Screw, Hex, .25-20 X 1.00, Ss	3
	20	604640	(00000000-) Bracket, Chassis, Rigid	1
	21	1014262	(00000000-) Screw, Pan, Phl, 10-24 X 1.50, Ss	4
	22	140011	(00000000-) Washer, Flat, 0.21b 0.45d .03, Ss	4
	23	140226	(00000000-) Screw, Hex, .31-18 X 0.62, Ss	4
	24	140015	(00000000-) Washer, Lock, Split, 0.31, Ss	4
	25	103065	(00000000-)● Caster, Swivel, 4.0d 1.3w, 4hole	1
	26	140256	(00000000-) Screw, Hex, .38-16 X 2.50, Ss	2
	27	140028	(00000000-) Washer, Flat, 0.42b 1.00d .05, Ss	2
	28	9007682	(00000000-) Chassis, Rm-Blk, Afmkt [Ex-Sc-1020P]	1
	29	140519	(00000000-) Nut, Hex, Lock, #10-24, Kep, Ss	8
	30	19066	(00000000-) Washer, Flat, 10	4
	31	180103	(00000000-)● Pump, Soltn, Ele, 120vac 100psi 06pf/06pf (See Breakdown)	1
	32	140519	(00000000-) Nut, Hex, Lock, #10-24, Kep, Ss	3

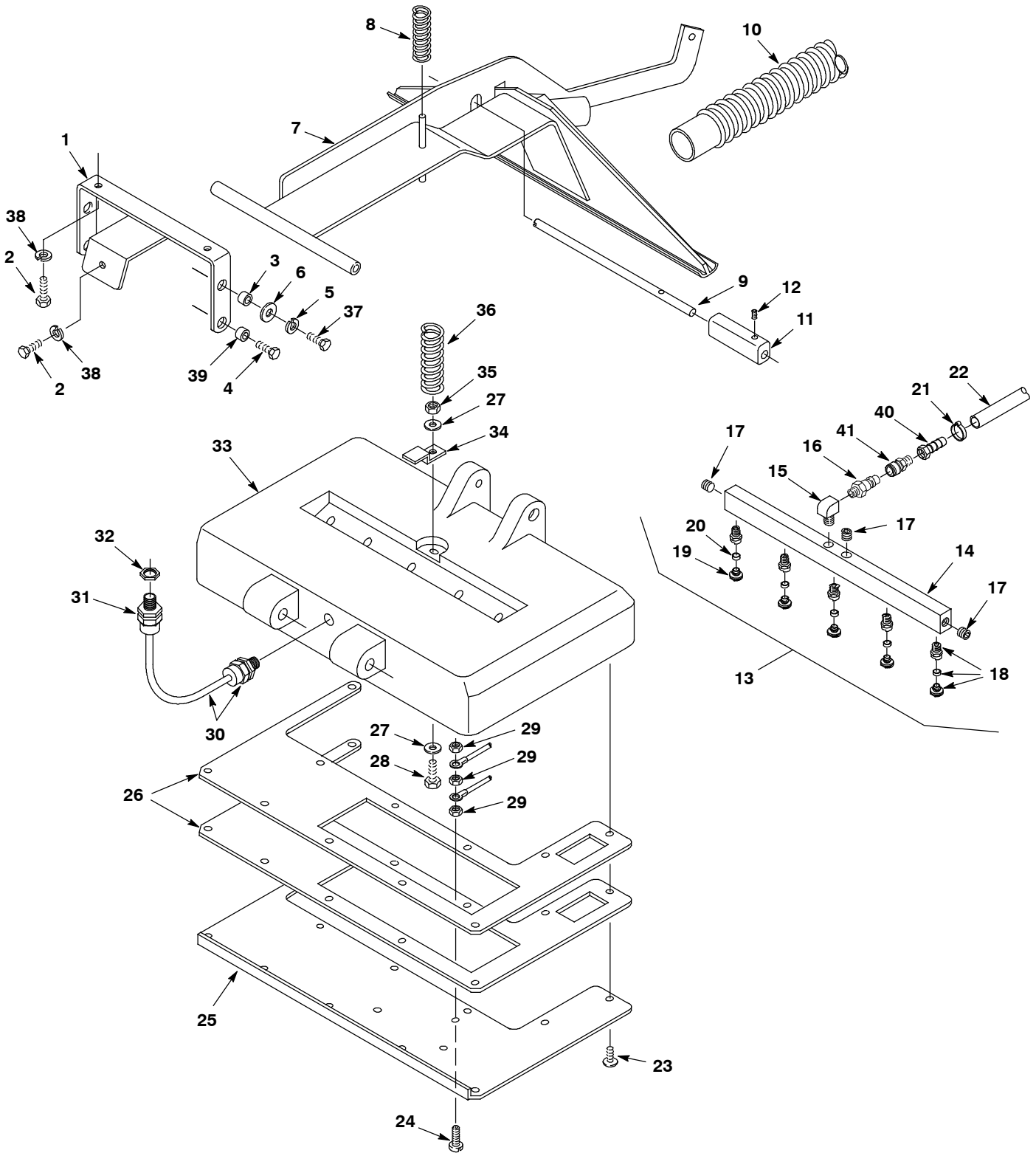
CONTROL CONSOLE GROUP



CONTROL CONSOLE GROUP

Ref.	Part No.	Serial Number	Description	Qty.
▽	612274	(00000000-) Controlbox Assy, 120vac [Frontier Bk]	1
▲	1 611416	(00000000-) Box, Switch, Rm-Blk, Trimmed [Shallow]	1
▲	2 130304	(00000000-)● Rectifier, Bridge, 600v, 15a	1
▲	3 140336	(00000000-) Nut, Hex, #10-24, Nyl	1
▲	4 140335	(00000000-) Screw, Rnd, Sltd, 10-24 X 1.00, Nyl	1
▲	5 578337000	(00000000-)● Circuitbreaker, 01.5a	2
▲	6 606713	(00000000-)● Switch, Push, On-Off Spst [Alternating]	1
▲	7 130717	(00000000-)● Switch, Rocker, Spst, On / Off	1
▲	8 1026384	(00000000-) Label, Warning [Expl,Fire,Shk En/Fr/Es]	1
▲	9 140022	(00000000-) Washer, Int, .38, Ss	3
▲	10 612922	(00000000-) Nut, Hex, Metal [Pg-11]	1
▲	11 140504	(00000000-) Nut, Lock, Conduit, Pm08	1
▲	12 130670	(00000000-)● Circuitbreaker, 12.0a	1
▲	13 130977	(00000000-) Harness	1
▲	14 130166	(00000000-)● Grip, Cord, Strainrelief Pg-11 W/Nut Bk	1
▲	15 130237	(00000000-)● Cord, Power, 14/3, 018.0l Yel [Sjt/Sjto]	1
	16 130250	(00000000-) Cord, Power, 16/3, 50ft Yel [Sjt]	1
	17 140824	(00000000-) Screw, Trs, .25-20 X 0.62, Phl, Ss	4
	18 140504	(00000000-) Nut, Lock, Conduit, Pm08	1

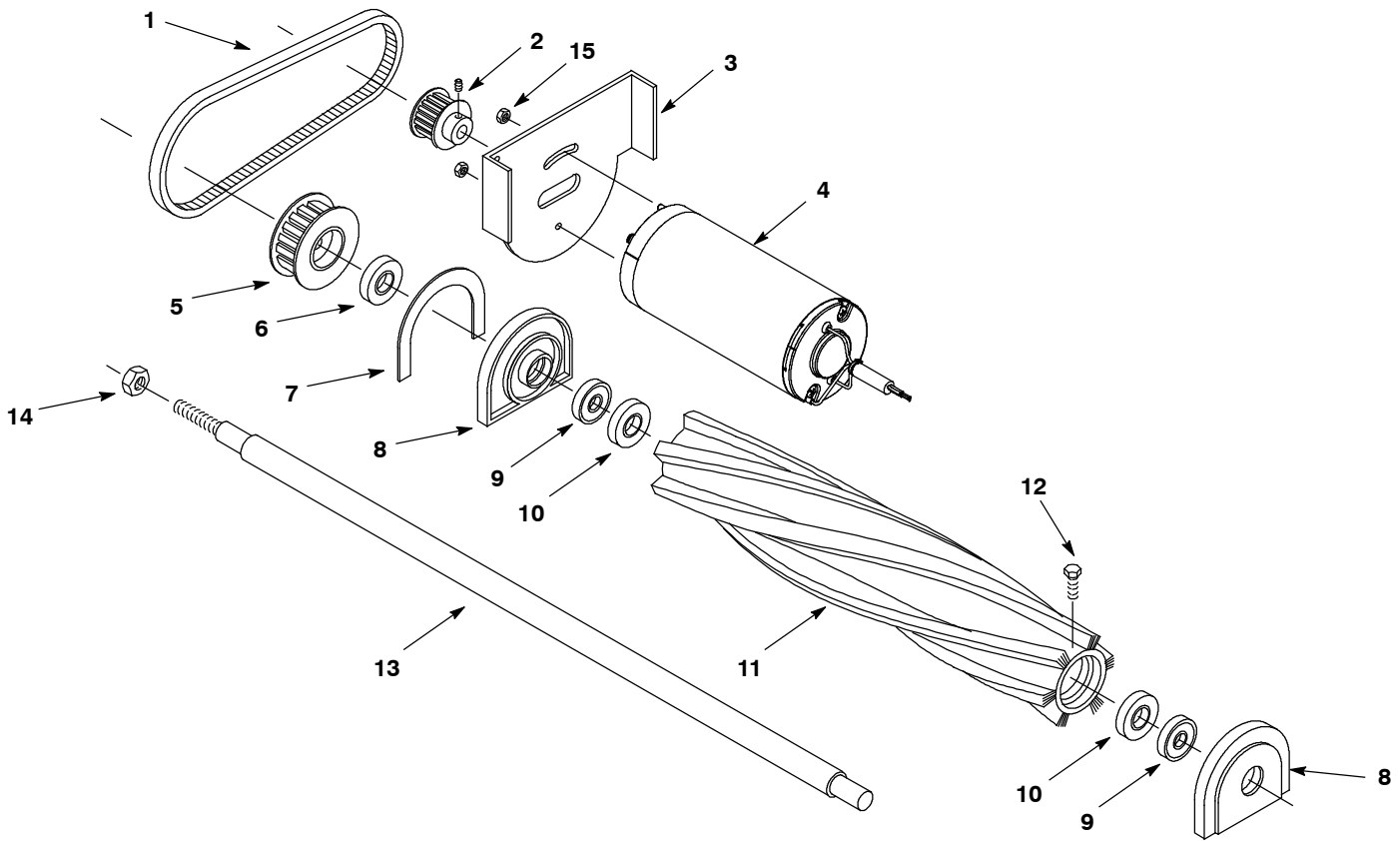
BRUSH BASE GROUP



BRUSH BASE GROUP

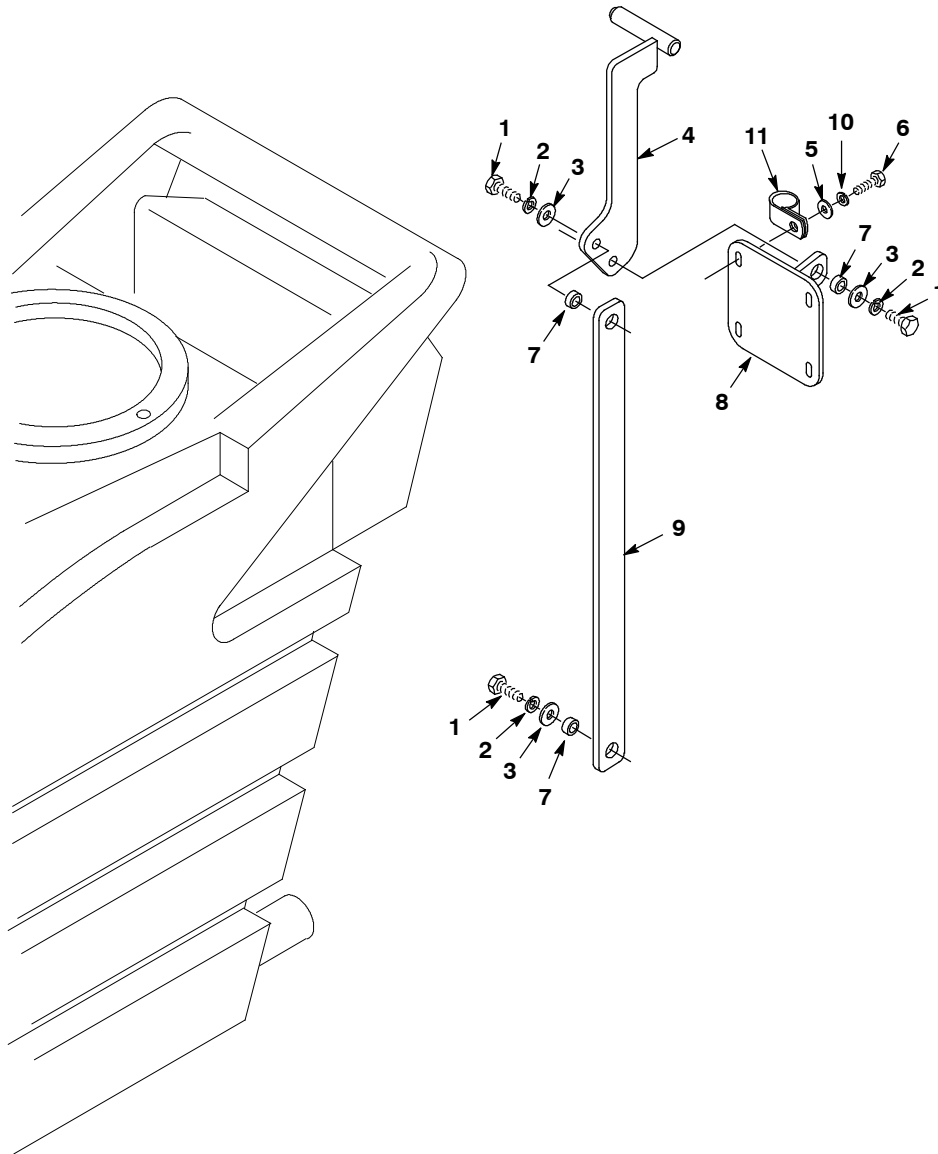
Ref.	Part No.	Serial Number	Description	Qty.	
1	603175	(00000000-) Bracket, Mtg	1	
2	140226	(00000000-) Screw, Hex, .31-18 X 0.62, Ss	3	
3	140136	(00000000-) Bushing, .38 X .50 X 0.28	2	
4	140898	(00000000-) Screw, Trs, .38-16 X 0.75, Phl, Ss	2	
5	140017	(00000000-) Washer, Lock, Split, 0.38, Ss	2	
6	140028	(00000000-) Washer, Flat, 0.42b 1.00d .05, Ss	2	
7	603184	(00000000-) Tool, Pickup, W/ Lever	1	
8	603448	(00000000-) Spring, Press, Tool	1	
9	603177	(00000000-) Lever [Cam Adjustor]	1	
10	603547	(00000000-)● Hose, Vacuum, 1.50id X 0.46.0l, 2cuff,Blk	1	
11	603178	(00000000-) Cam, Adjmt	1	
12	140859	(00000000-) Screw, Set, .25-20 X 0.25, Soc	1	
▽	13	609052	(00000000-) Bar Assy, Spray, 20inch [Frontier]	1
▲	14	230379	(00000000-) Manifold, Bar, Spray, 20.0inch	1
▲	15	150407	(00000000-) Fitting, Brs, E90, Pf02/Pm02 [Street]	1
▲	16	150921	(00000000-)● Fitting, Ss, Qdc, Pm02 [Ser 5]	1
▲	17	150208	(00000000-) Fitting, Brs, Str, Pm02, Plug [Skhd]	3
▲▽	18	201011	(00000000-)● Fitting, Brs, Jet [.125 Q-Jet]	5
▲▲	19	201013	(00000000-)● Fitting, Brs, Tip, F/201011 [80015]	5
▲▲	20	201015	(00000000-)● Seal, Nozzle, Spray	5
21	140325	(00000000-) Clamp, Hose, Ear, 0.50d, Ss	1	
22	606453	(00000000-) Hose, Pvc, Brd, 0.25id 0.50od 14.4l,Gray	1	
23	140887	(00000000-) Screw, Pan, 10-24 X 0.38, Ss	12	
24	140900	(00000000-) Screw, Trs, Phl, 10-24 X 0.75, Ss	1	
25	611918	(00000000-) Plate, Base, 20.0inch [Yel Chromate]	1	
26	1027687	(00000000-)● Gasket, 20.0inch, Base Plt [Power Brush]	1	
27	140028	(00000000-) Washer, Flat, 0.42b 1.00d .05, Ss	2	
28	140233	(00000000-) Screw, Hex, .38-16 X 1.75, Ss	1	
29	140519	(00000000-) Nut, Hex, Lock, #10-24, Kep, Ss	3	
30	603561	(00000000-) Cord Assy, Base, 18ga /3, 039.0l	1	
31	130181	(00000000-) Grip, Cord, Strainrelief, .50npt	1	
32	140504	(00000000-) Nut, Lock, Conduit, Pm08	1	
33	604494	(00000000-) Base, 20.0, Rm-Blk, Trimmed	1	
34	606712	(00000000-) Latch, Bar, Spray	1	
35	59156	(00000000-) Nut, Hex, Lock, .38-16, NI, Ss	1	
36	140407	(00000000-) Spring, Cmpr, 0.80od .09wir 02.0l	1	
37	02994	(00000000-) Screw, Hex, .38-16 X 0.75, Ss	2	
38	140015	(00000000-) Washer, Lock, Split, 0.31, Ss	3	
39	140914	(00000000-) Spacer, Plstc, 0.38b 0.50d 0.25l, Nyl	2	
40	150520	(00000000-) Fitting, Brs, Str, Bm04/Pf02	1	
41	150915	(00000000-)● Fitting, Brs, Qdc, Pm02, Fem [Ser 5]	1	

BRUSH ASSEMBLY BREAKDOWN



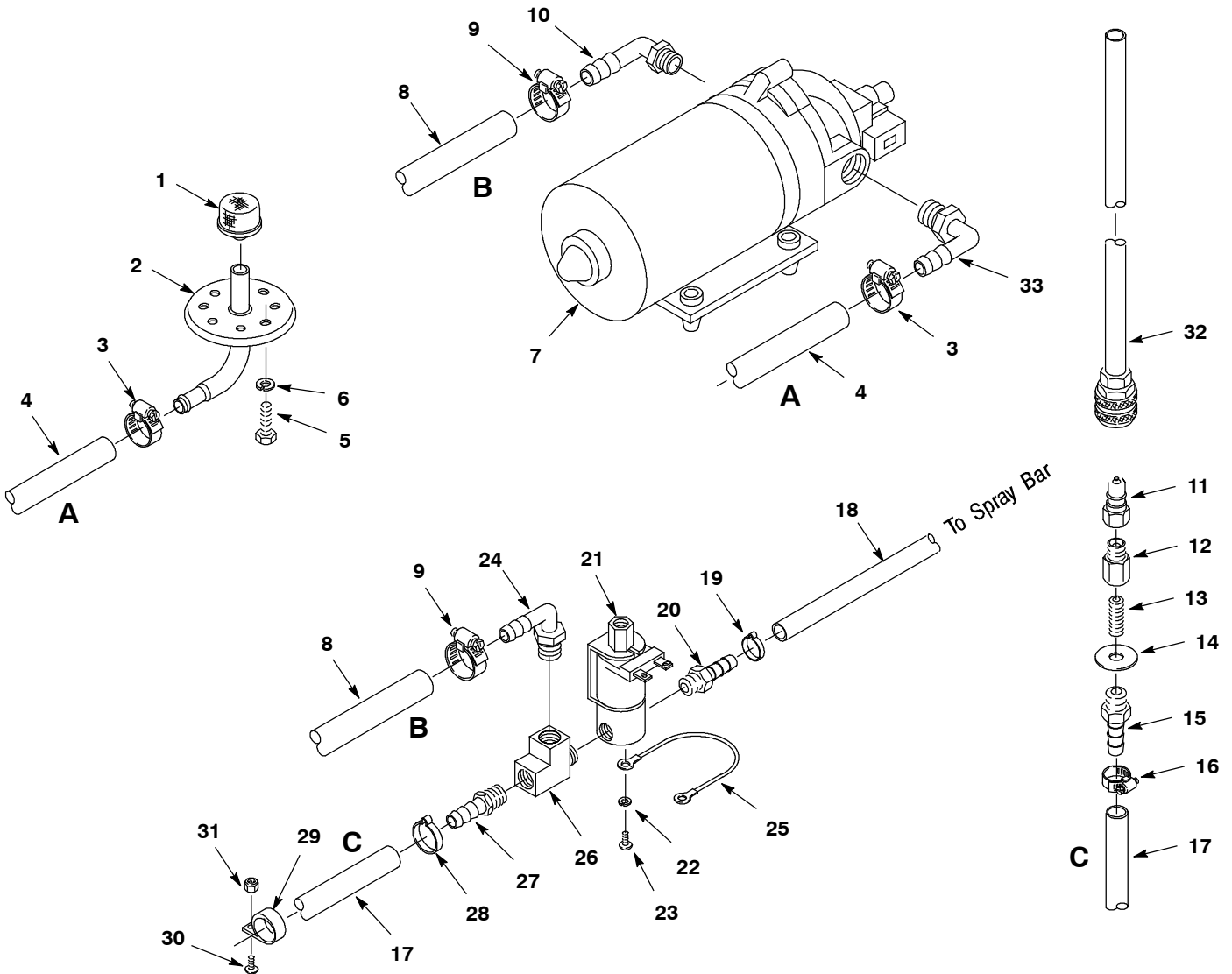
Ref.	Part No.	Serial Number	Description	Qty.
1	230507	(00000000-)	● Belt, Synchronous, 0.38 0.20p 18.0l	1
2	230506	(00000000-)	● Pulley, Drive, 15tooth X .31b [1/5p]	1
3	230366	(00000000-)) Plate, Mount, Motor	1
4	1063949	(00000000-)	● Motor, Ele, 115vdc 0.125hp	1
∇	700094	(00000000-)) Brush Assy, 20.0	1
▲	5	230505	● Pulley, Drive, 26tooth X .31b [1/5p]	1
▲	6	230363) Spacer, 0.33b 0.62d 0.16l, PI	1
▲	7	100005	● Gasket, Block, Brg	1
▲	8	230261	● Block, Brush Brg	2
▲	9	140125	● Bearing, Brush, 0.32b 0.87d 0.28w	2
▲	10	100049	● Seal, Brush, Brg	2
▲	11	240050	● Brush, Cylrcl, 20.0d	1
▲	12	24672) Screw, Hex, .25-20 X 0.75, Ss	4
▲	13	230362	● Shaft, Brush, 20.0inch	1
▲	14	140548) Nut, Hex, Jam, Fin .31, Ss	1
	15	140518) Nut, Hex, Lock, #10-32, Kep, Ss	2

BRUSH HOUSING LIFT LEVER GROUP



Ref.	Part No.	Serial Number	Description	Qty.
1	140226	(00000000-) Screw, Hex, .31-18 X 0.62, Ss	3
2	140015	(00000000-) Washer, Lock, Split, 0.31, Ss	3
3	140027	(00000000-) Washer, Flat, 0.35b 0.75d .04, Ss	3
4	603414	(00000000-) Handle, Lift	1
5	140000	(00000000-) Washer, Flat, 0.28b 0.62d .04, Ss	4
6	01697	(00000000-) Screw, Hex, .25-20 X 0.62, Ss	4
7	603415	(00000000-) Sleeve, P/M, 0.31b 0.44d 0.3l, PI	3
8	603413	(00000000-) Bracket, Mtg, Lift	1
9	603412	(00000000-) Plate, Lift	1
10	140016	(00000000-) Washer, Lock, Split, 0.25, Ss	4
11	140314	(00000000-) Clamp, Cable, Stl, 0.75d X 0.75w, 1hole	1

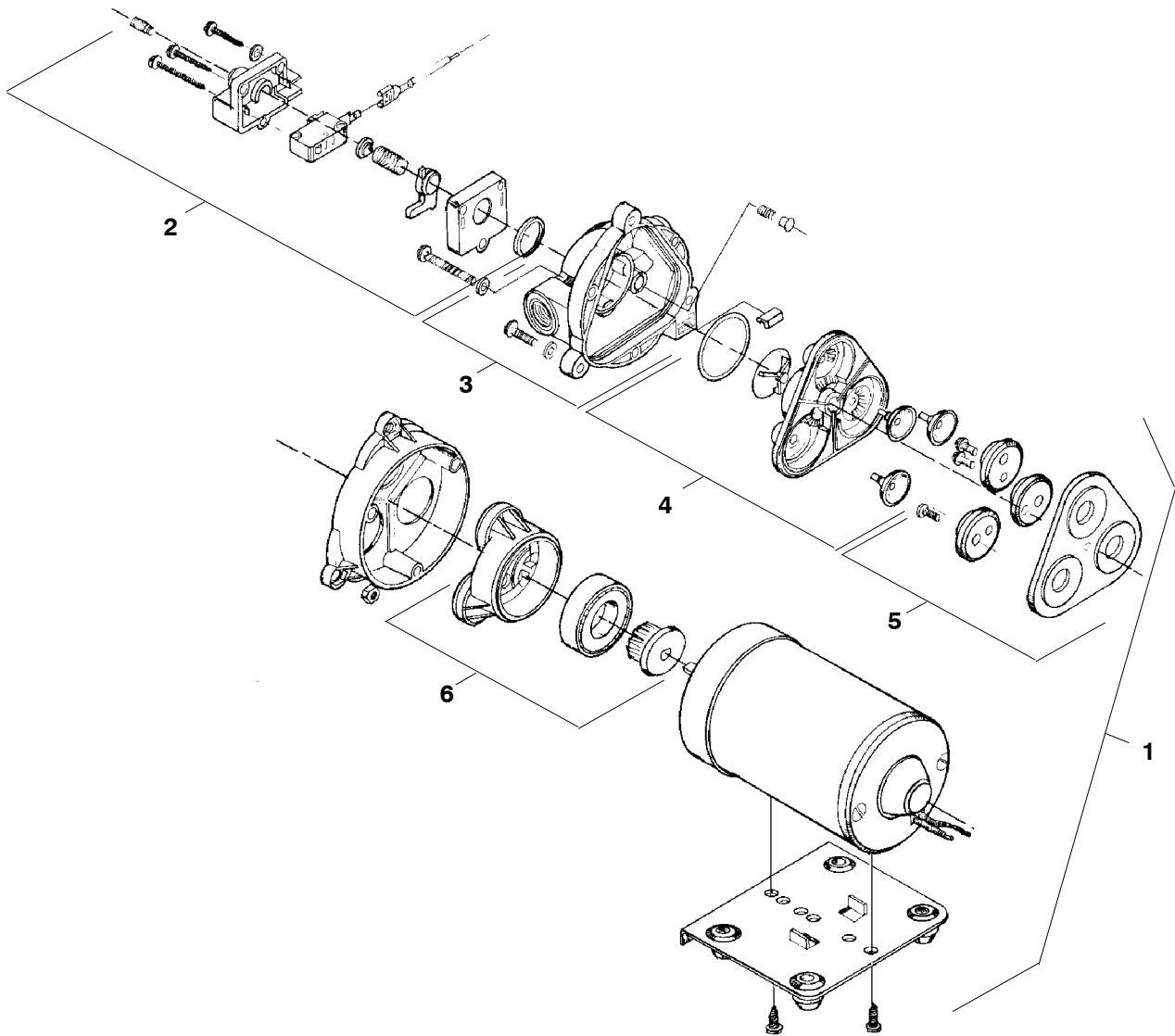
SOLUTION GROUP



SOLUTION GROUP

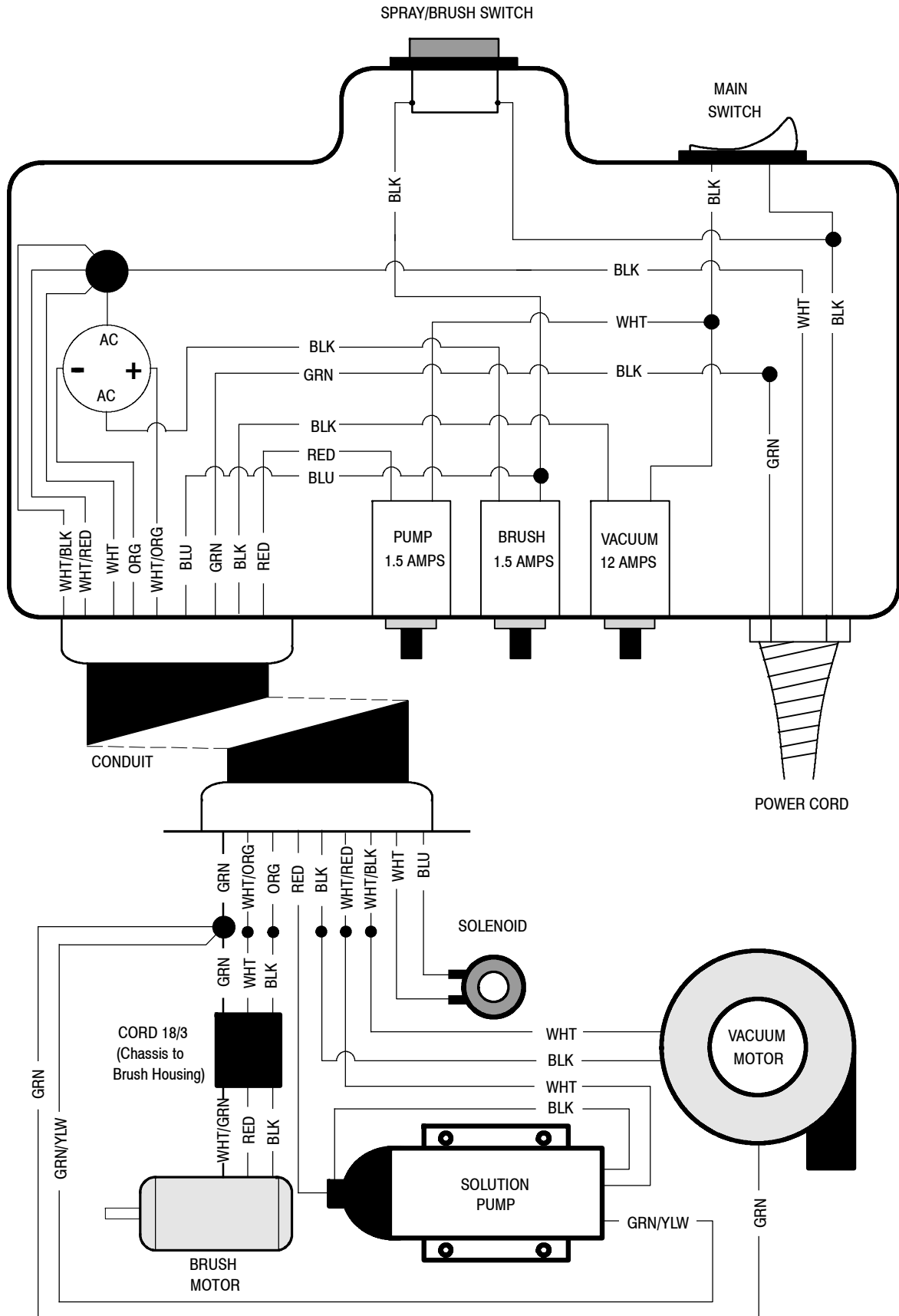
Ref.	Part No.	Serial Number	Description	Qty.
1	180628	(00000000-)● Filter, Screen, 100mesh, Ss, Pf04	1
2	600451	(00000000-) Fitting Assy, Plate [Bladder 8&10 Gal]	1
3	54333	(00000000-) Clamp, Hose, Wormdrive, 0.31-0.88d, .31w	2
4	606452	(00000000-) Hose, Pvc, Brd, 0.38id 0.62od 33.0l, Gray	1
5	01697	(00000000-) Screw, Hex, .25-20 X 0.62, Ss	4
6	140016	(00000000-) Washer, Lock, Split, 0.25, Ss	4
7	180103	(00000000-)● Pump, Soltn, Ele, 120vac 100psi 06pf/06pf	1
8	606162	(00000000-) Hose, Rbr, Dbl, .50id .75od, 26.0l, Red	1
9	63810	(00000000-) Clamp, Hose, Wormdrive, 0.56-1.06d, .56w	2
10	150425	(00000000-) Fitting, Plstc, E90, Bm08/Pm06, Nyl	1
11	150933	(00000000-) Fitting, Brs, Qdc, Pm04 [Ser60]	1
12	150000	(00000000-) Fitting, Brs, Str, Pf04/Pm04 [Taped]	1
13	150600	(00000000-) Fitting, Brs, Nipple, Pm04 X 2.0 [Taped]	1
14	140008	(00000000-) Washer, Flat, 0.57b 1.28d .08, Ss	1
15	150511	(00000000-) Fitting, Brs, Str, Bm06/Pf04	1
16	54333	(00000000-) Clamp, Hose, Wormdrive, 0.31-0.88d, .31w	1
17	606451	(00000000-) Hose, Pvc, Brd, 0.38id 0.62od 52.0l, Gray	1
18	606453	(00000000-) Hose, Pvc, Brd, 0.25id 0.50od 14.4l, Gray	1
19	140325	(00000000-) Clamp, Hose, Ear, 0.50d, Ss	2
20	150515	(00000000-) Fitting, Brs, Str, Bm04/Pm04 [Taped]	1
21	210033	(00000000-)● Valve, Water, Solenoid, 120vac Pf04/Pf04	1
22	02938	(00000000-) Washer, Lock, Int, 08, Ss	2
23	140802	(00000000-) Screw, Pan, Phl, 08-32 X 0.62, Ss	2
24	150415	(00000000-) Fitting, Plstc, E90, Bm06/Pm04	1
25	700551	(00000000-) Wire, 18ga 09.5l Green .19ring /.19ring	1
26	150709	(00000000-) Fitting, Brs, Tee, Pm04/Pf04/Pf04, Run	1
27	150517	(00000000-) Fitting, Brs, Str, Bm08/Pm04 [Taped]	1
28	140301	(00000000-) Clamp, Hose, Ear, 0.62d	1
29	140916	(00000000-) Clamp, Cable, Nyl, 0.62d, Nat	1
30	140895	(00000000-) Screw, Rnd, Phl, 10-24 X 0.75, Ss	1
31	140552	(00000000-) Nut, Hex, Lock, #10-24, Nl, Ss	1
32	700141	(00000000-) Hose [Priming, Soltn Series 60]	1
33	150412	(00000000-) Fitting, Plstc, E90, Bm06/Pm06	1

PUMP BREAKDOWN

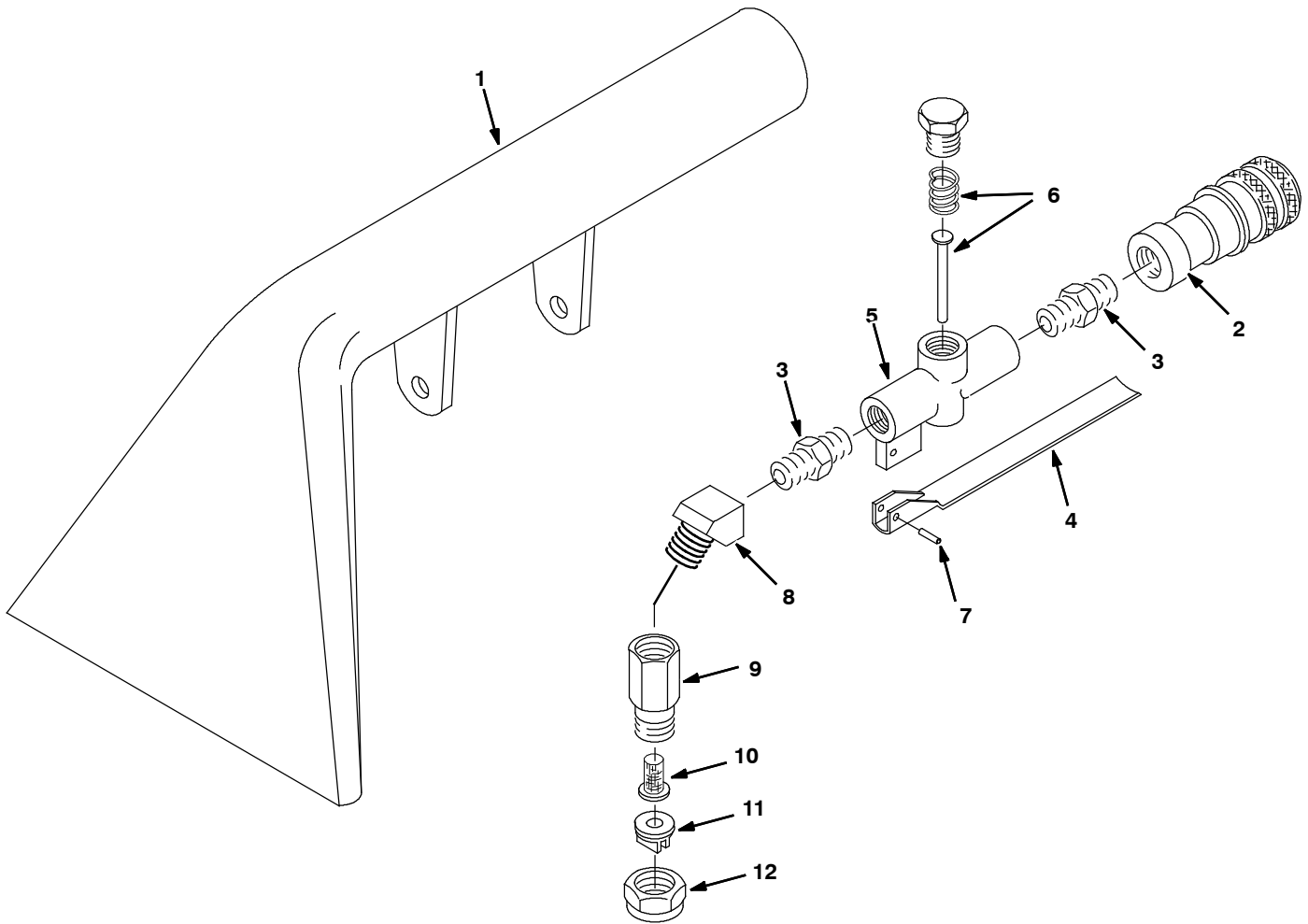


	Ref.	Part No.	Serial Number	Description	Qty.
▽	1	180103	(00000000-)● Pump, Soltn, Ele,120vac 100psi 06pf/06pf	1
▲	2	190129	(00000000-)● Switch, Press, Soltn Pump	1
▲	2	190172	(00000000-)● Switch Kit, 80-100psi [Viton]	1
▲	2	190134	(00000000-)● Diaphragm, Switch [Shurflo]	1
▲	3	190128	(00000000-)● Housing Kit, Upper	1
▲	3	190124	(00000000-)● Valve Kit, Check, Replmt	1
▲	4	190171	(00000000-)● Valve Kit [Viton]	1
▲	5	190131	(00000000-)● Service Kit [Shurflo]	1
▲	6	190130	(00000000-)● Housing Kit, Lower [94-385-03]	1

WIRING DIAGRAM, 120V

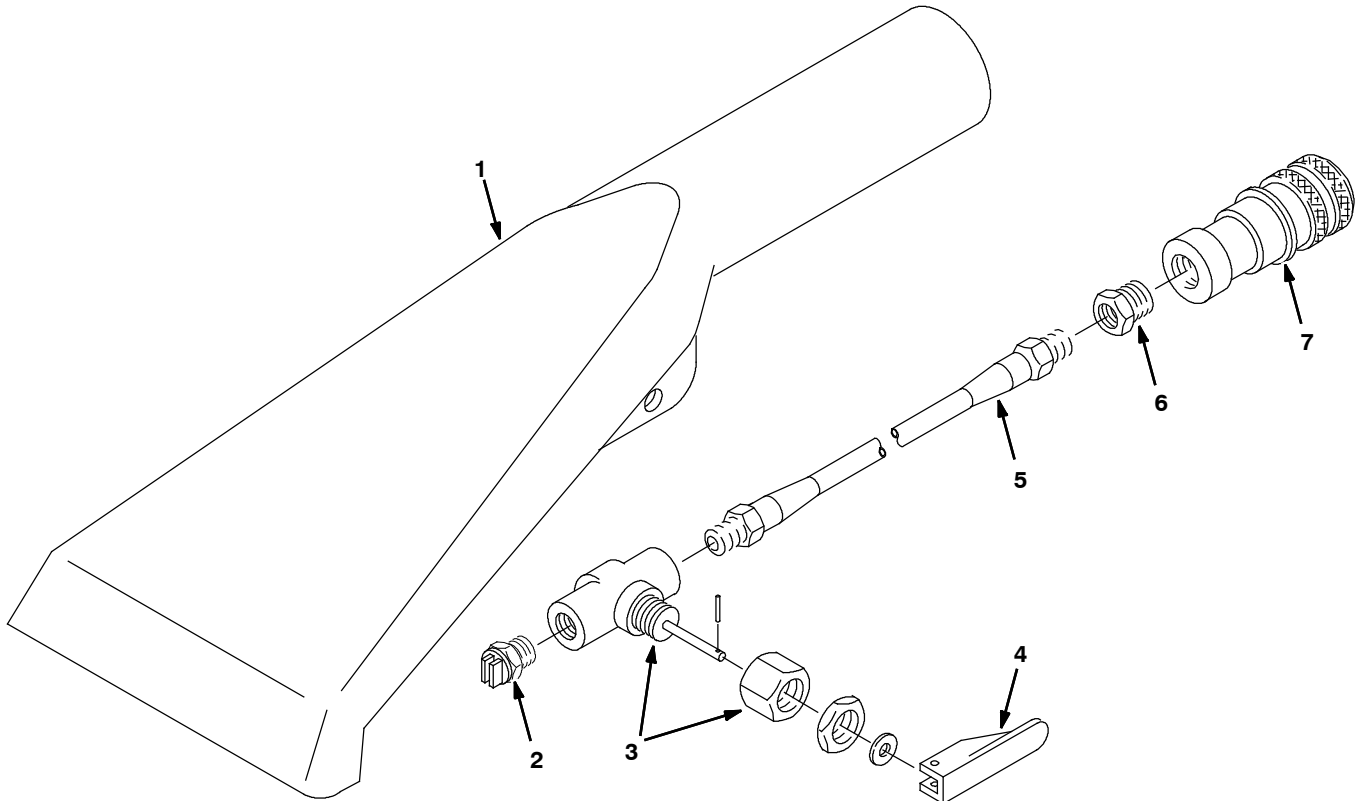


HAND TOOL, 5 in (127 mm)



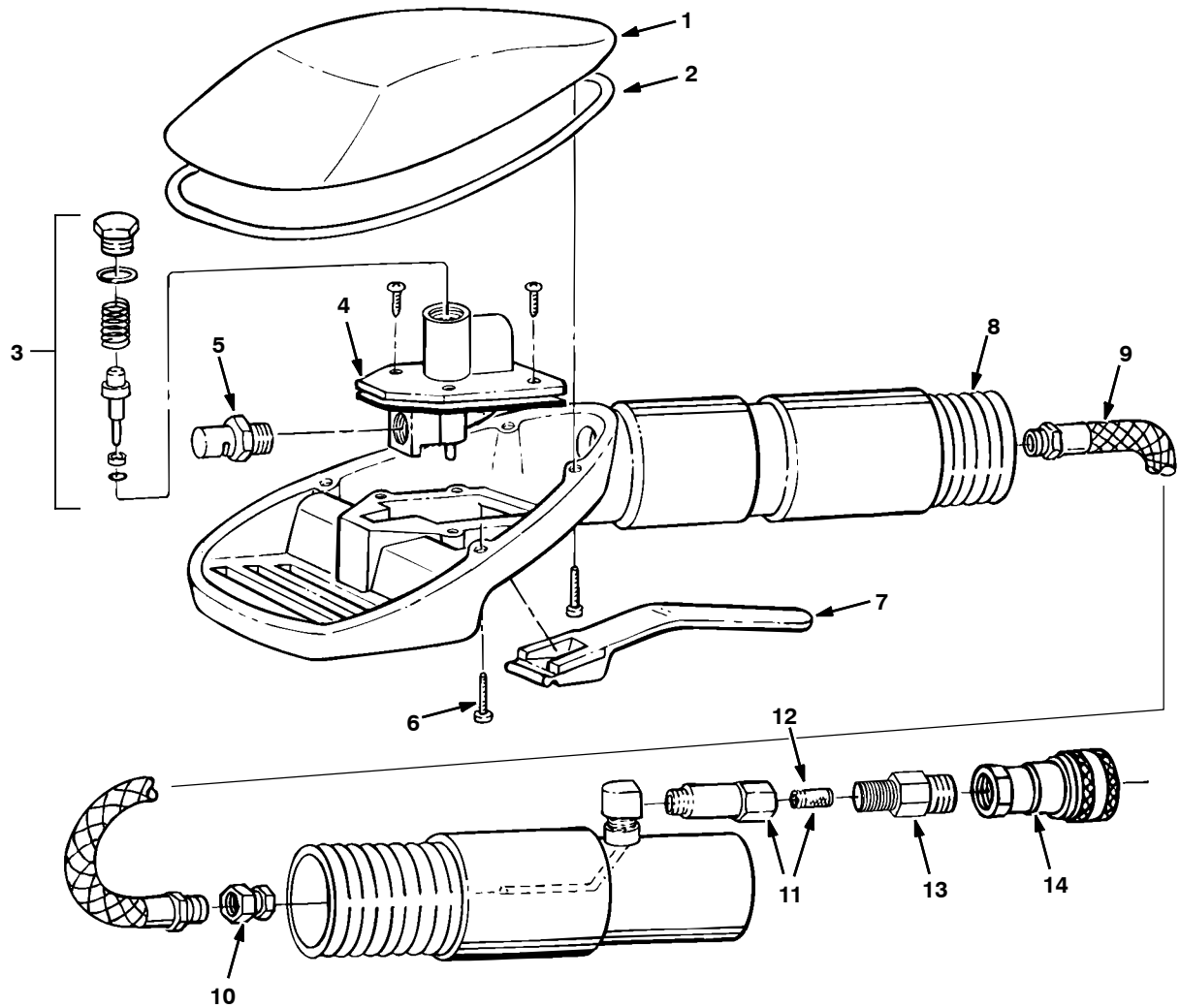
Ref.	Part No.	Serial Number	Description	Qty.
▽	200505	(00000000-)● Tool, Hand, 127mm 5.0w	1
▲	1	200431.BK	(00000000-) Tool, Hand, Blk	1
▲	2	150913	(00000000-)● Fitting, Brs, Qdc, Pf04 [Ser60]	1
▲	3	150606	(00000000-) Fitting, Brs, Str, Pm04/Pm04 X1.38l[Nip]	2
▲	4	200905	(00000000-) Lever [K-Valve W/ Pin]	1
▲	5	210210	(00000000-)● Valve, Water, Flow Cntrl, Pf04/Pf04	1
▲	6	190600	(00000000-) K-Valve Kit, Repair	1
▲	7	140609	(00000000-) Pin, Roll, .187d X 0.56l, PI	1
▲	8	150403	(00000000-) Fitting, Brs, E45, Pf04/Pm04 [Taped]	1
▲	9	200992	(00000000-) Fitting, Brs, Str, Pf02, Swivel	1
▲	10	200996	(00000000-) Filter, Screen, 100mesh, Check Valve	1
▲	11	200965	(00000000-)● Fitting, Brs, Tip [8002, T-Jet]	1
▲	12	200994	(00000000-) Cap, Nozzle, Spray [#8002]	1

CREVICE TOOL, 3 in (76 mm)



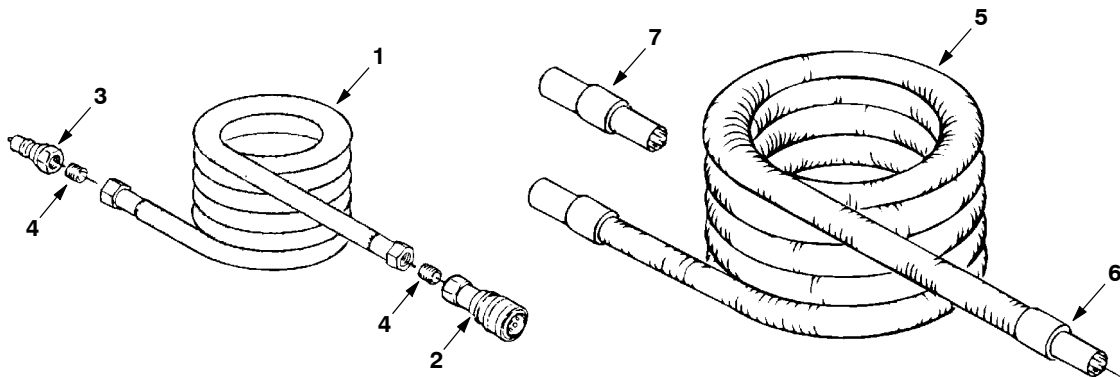
Ref.	Part No.	Serial Number	Description	Qty.
▽	200517	(00000000-)● Tool [Crevice Lp/Hp Series 60]	1
▲ 1	200436.BK	(00000000-) Tool, Blk [Crevice]	1
▲ 2	200975	(00000000-)● Fitting, Brs, Jet [.125 V-Jet]	1
▲ 3	210014	(00000000-)● Valve, Water, Toggle, Pf02, W/ Nut	1
▲ 4	210020	(00000000-) Handle, Valve [Positioner]	1
▲ 5	160106	(00000000-) Hose, Soltn, Crevice Tool	1
▲ 6	150100	(00000000-) Fitting, Brs, Str, Pf02/Pm04	1
▲ 7	150913	(00000000-)● Fitting, Brs, Qdc, Pf04 [Ser60]	1

UPHOLSTERY TOOL, LOW PRESSURE



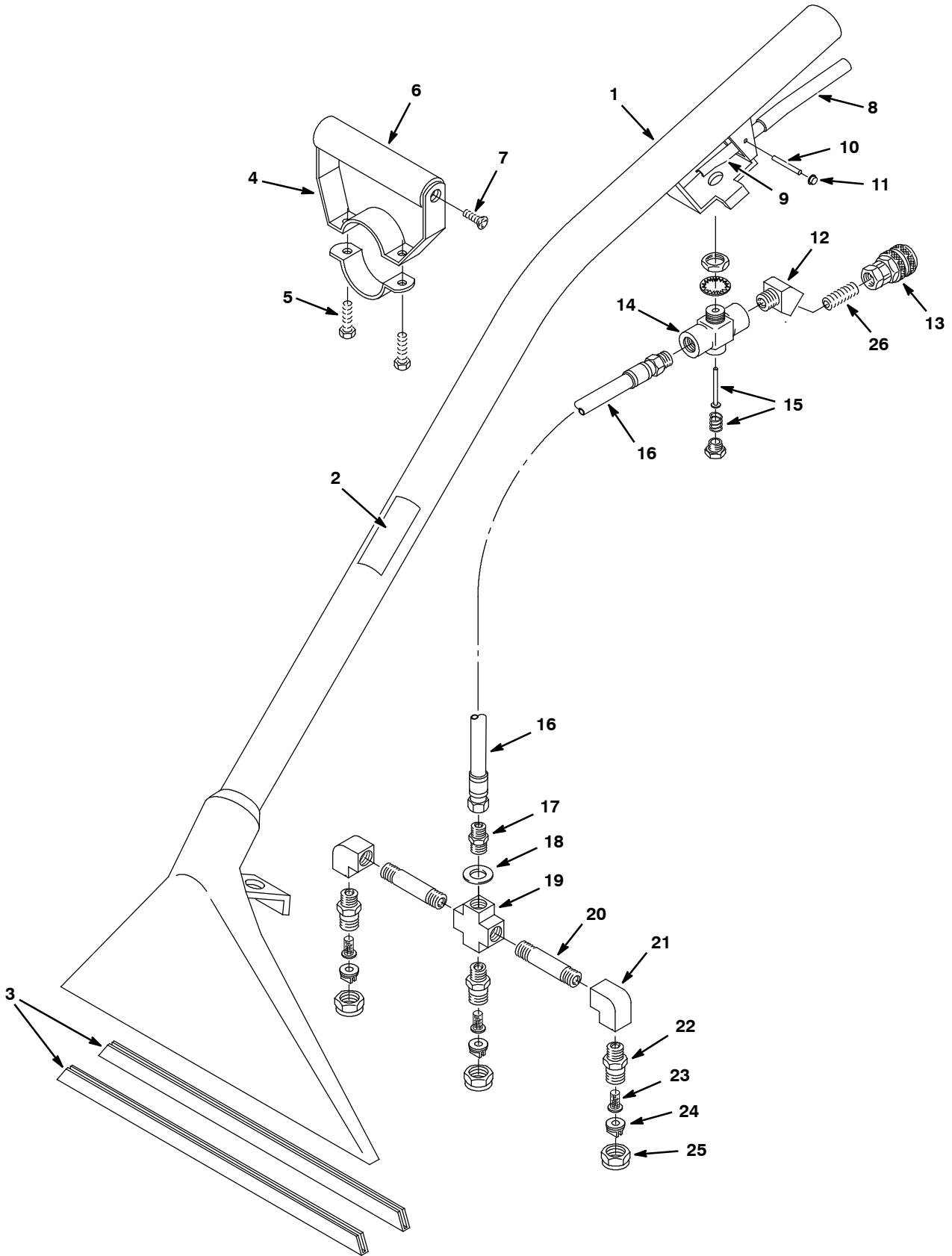
Ref.	Part No.	Serial Number	Description	Qty.
∇	200540	(00000000-	● Tool [Upholstery Lp Series 60]	1
▲	1 200845	(00000000-) Cover, Tool [Upholstery]	1
▲	2 200843	(00000000-) Gasket, Cover	1
▲	3 190631	(00000000-	● Service Kit [Upholstery, Lp]	1
▲	4 210226	(00000000-	● Valve, Water, Solenoid, 120vac Low Press	1
▲	5 200991	(00000000-	● Fitting, Ss, Jet, 1/8k-Jet	1
▲	6 200838	(00000000-) Vr, Screw, Pan, Phl, 06-32 X 0.75	4
▲	7 200840	(00000000-) Trigger Upholstery Tool	1
▲	8 200844	(00000000-	● Hose, Vacuum [Upholstery Tool W/O Cuffs]	1
▲	9 200837	(00000000-	● Hose [Hp Upholstery Tool]	1
▲	10 200848	(00000000-) Fitting, Brs [3 Pcs]	1
▲	11 200842	(00000000-) Filter, In-Line, Complt	1
▲	12 200841	(00000000-) Screen, Fltr, In-Line	1
▲	13 150606	(00000000-) Fitting, Brs, Str, Pm04/Pm04 X1.38l[Nip]	1
▲	14 150913	(00000000-	● Fitting, Brs, Qdc, Pf04 [Ser60]	1

HOSES, LOW PRESSURE SOLUTION AND VACUUM



Ref.	Part No.	Serial Number	Description	Qty.
▽	1	160185	(00000000-) Hose, Soltn, .38id X 15ft [Series 60,Lp]	1
▲	2	150913	(00000000-)● Fitting, Brs, Qdc, Pf04 [Ser60]	1
▲	3	150933	(00000000-) Fitting, Brs, Qdc, Pm04 [Ser60]	1
▲	4	150615	(00000000-) Fitting, Brs, Str, Pm04, Close, T	2
▽	1	160186	(00000000-) Hose, Soltn, .38id X 25ft [Series 60,Lp]	1
▲	2	150913	(00000000-)● Fitting, Brs, Qdc, Pf04 [Ser60]	1
▲	3	150933	(00000000-) Fitting, Brs, Qdc, Pm04 [Ser60]	1
▲	4	150615	(00000000-) Fitting, Brs, Str, Pm04, Close, T	2
▽	1	160187	(00000000-) Hose, Soltn, .38id X 50ft [Series 60,Lp]	1
▲	2	150913	(00000000-)● Fitting, Brs, Qdc, Pf04 [Ser60]	1
▲	3	150933	(00000000-) Fitting, Brs, Qdc, Pm04 [Ser60]	1
▲	4	150615	(00000000-) Fitting, Brs, Str, Pm04, Close, T	2
▽	5	160400	(00000000-) Hose, Vacuum, 1.50id X 15ft, 2cuff	1
▲	6	160430	(00000000-)● Cuff, 1.5d Hose, 1.5id	2
	7	12694	(00000000-)● Fitting, Plstc, Str, Bm24/Bm24	1
▽	5	160401	(00000000-) Hose, Vacuum, 1.50id X 25ft, 2cuff	1
▲	6	160430	(00000000-)● Cuff, 1.5d Hose, 1.5id	2
	7	12694	(00000000-)● Fitting, Plstc, Str, Bm24/Bm24	1
▽	5	160402	(00000000-) Hose, Vacuum, 1.50id X 50ft, 2cuff	1
▲	6	160430	(00000000-)● Cuff, 1.5d Hose, 1.5id	2
	7	12694	(00000000-)● Fitting, Plstc, Str, Bm24/Bm24	1

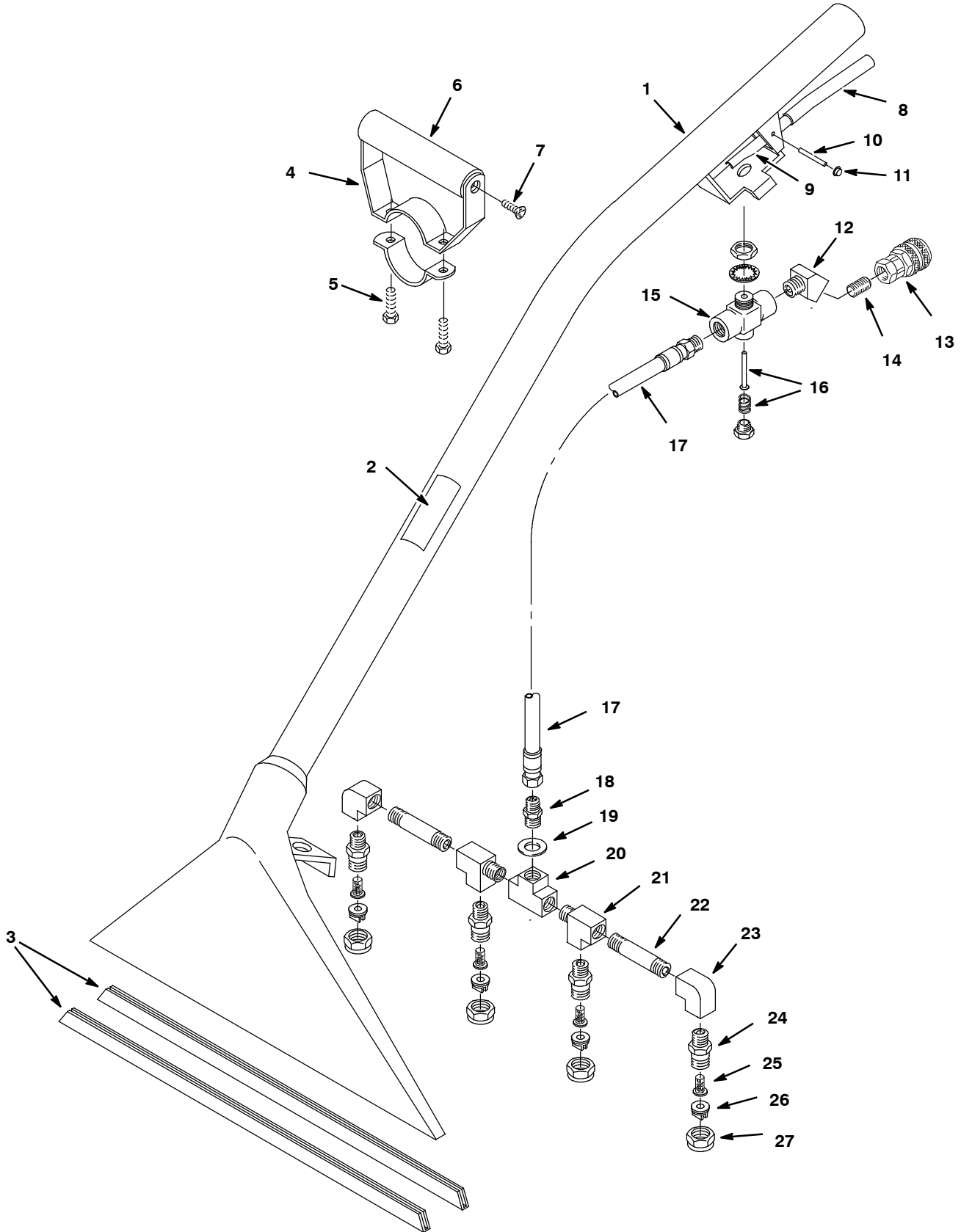
FLOOR TOOL, LOW PRESSURE 13 in (330 mm)



FLOOR TOOL, LOW PRESSURE 13 in (330 mm)

Ref.	Part No.	Serial Number	Description	Qty.
▽	600048	(00000000-)● Tool, Floor, 13.0w, 33cm [W/3 Nozzles]	1
▲	1 200403.BK	(00000000-) Tool, Pickup, Floor, 12w, Blk	1
▲	2 120846	(00000000-) Label, Low-Press Floor Tool	1
▲	3 200939	(00000000-)● Plate, Tool, Floor, 13.00 [Shoe]	2
▲▽	4 200927	(00000000-) Grip Hand Adj, Complt	1
▲▲	5 01697	(00000000-) Screw, Hex, .25-20 X 0.62, Ss	2
▲▲	6 200912	(00000000-) Grip, Handle, Foam	1
▲▲	7 140834	(00000000-) Screw, Flt, .25-20 X 0.62, Phl, Ss	2
▲	8 200809	(00000000-) Sleeve, Handle, Floor Tool	1
▲	9 200902	(00000000-) Handle, Valve [Imperial]	1
▲	10 140605	(00000000-) Pin, Handle [Imperial Eastman]	1
▲	11 140520	(00000000-) Nut, Push, .25id, Blk, Pl	2
▲	12 150403	(00000000-) Fitting, Brs, E45, Pf04/Pm04 [Taped]	1
▲	13 150913	(00000000-)● Fitting, Brs, Qdc, Pf04 [Ser60]	1
▲▽	14 210150	(00000000-)● Valve, Water, Flow Cntrl, Pf04/Pf04	1
▲▲	15 190603	(00000000-)● Imperial Eastman Kit, Repair	1
▲	16 160170	(00000000-) Hose Assy, Wand, 47.34 [Endtoend, 42059]	1
▲	17 150606	(00000000-) Fitting, Brs, Str, Pm04/Pm04 X1.38 [Nip]	1
▲	18 140058	(00000000-) Washer, Flat, 0.54b 0.88d .06, Ss [Wand]	1
▲▽	700062	(00000000-) Bar Assy, Spray, 12inch, W/O Tip[Flr TI]	1
▲▲	19 150700	(00000000-) Fitting, Brs, Cross, Pf04/Pf04/Pf04/Pf04	1
▲▲	20 150600	(00000000-) Fitting, Brs, Nipple, Pm04 X 2.0 [Taped]	2
▲▲	21 150401	(00000000-) Fitting, Brs, E90, Pf04/Pf04	2
▲▲	22 200993	(00000000-) Fitting, Brs, Pm04 [Spray Body]	3
▲	23 200996	(00000000-)● Filter, Screen, 100mesh, Check Valve	3
▲	24 200964	(00000000-)● Fitting, Brs, Tip [11003, T-Jet]	3
▲	25 200994	(00000000-)● Cap, Nozzle, Spray [#8002]	3
▲	26 150615	(00000000-) Fitting, Brs, Str, Pm04, Close, T	1

FLOOR TOOL, LOW PRESSURE 16 in (406 mm)

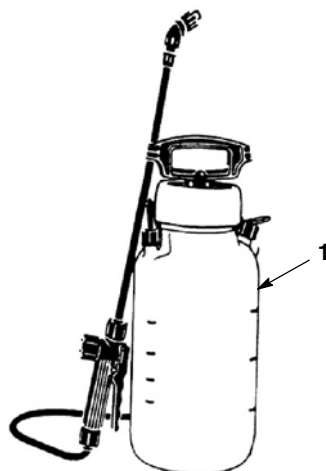


FLOOR TOOL, LOW PRESSURE 16 in (406 mm)

Ref.	Part No.	Serial Number	Description	Qty.
▽	200503	(00000000-)● Tool, Pickup, Floor, 16w [Lp Series 60]	1
▲	1 200411.BK	(00000000-) Tool, Pickup, Floor, 16w, Blk	1
▲	2 120846	(00000000-) Label, Low-Press Floor Tool	1
▲	3 200956	(00000000-)● Plate, Floor, 16.00, Ss [Shoe]	2
▲▽	4 200927	(00000000-) Grip Hand Adj, Complt	1
▲▲	5 01697	(00000000-) Screw, Hex, .25-20 X 0.62, Ss	2
▲▲	6 200912	(00000000-) Grip, Handle, Foam	1
▲▲	7 140834	(00000000-) Screw, Flt, .25-20 X 0.62, Phl, Ss	2
▲	8 200809	(00000000-) Sleeve, Handle, Floor Tool	1
▲	9 200902	(00000000-) Handle, Valve [Imperial]	1
▲	10 140605	(00000000-) Pin, Handle [Imperial Eastman]	1
▲	11 140520	(00000000-) Nut, Push, .25id, Blk, Pl	2
▲	12 150403	(00000000-) Fitting, Brs, E45, Pf04/Pm04 [Taped]	1
▲	13 150913	(00000000-)● Fitting, Brs, Qdc, Pf04 [Ser60]	1
▲	14 150615	(00000000-) Fitting, Brs, Str, Pm04, Close, T	1
▲▽	15 210150	(00000000-)● Valve, Water, Flow Cntrl, Pf04/Pf04	1
▲▲	16 190603	(00000000-)● Imperial Eastman Kit, Repair	1
▲	17 160170	(00000000-) Hose Assy, Wand, 47.34 [Endtoend, 42059]	1
▲	18 150606	(00000000-) Fitting, Brs, Str, Pm04/Pm04 X1.38 [Nip]	1
▲	19 140058	(00000000-) Washer, Flat, 0.54b 0.88d .06, Ss [Wand]	1
▲▽	700656	(00000000-) Bar Assy, Spray, 16inch, W/O Tip	1
▲▲	20 150706	(00000000-) Fitting, Brs, Tee, Pf04/Pf04/Pf04	1
▲▲	21 150709	(00000000-) Fitting, Brs, Tee, Pm04/Pf04/Pf04, Run	2
▲▲	22 150600	(00000000-) Fitting, Brs, Nipple, Pm04 X 2.0 [Taped]	2
▲▲	23 150401	(00000000-) Fitting, Brs, E90, Pf04/Pf04	2
▲▲	24 200993	(00000000-) Fitting, Brs, Pm04 [Spray Body]	4
▲	25 200996	(00000000-)● Filter, Screen, 100mesh, Check Valve	4
▲	26 200964	(00000000-)● Fitting, Brs, Tip [11003, T-Jet]	4
▲	27 200994	(00000000-)● Cap, Nozzle, Spray [#8002]	4

OPTIONS

PUMP-UP CARPET SPRAYER



Ref.	Part No.	Serial Number	Description	Qty.
1	605848	(00000000-) Sprayer 2gal Pumpup Hd	1

