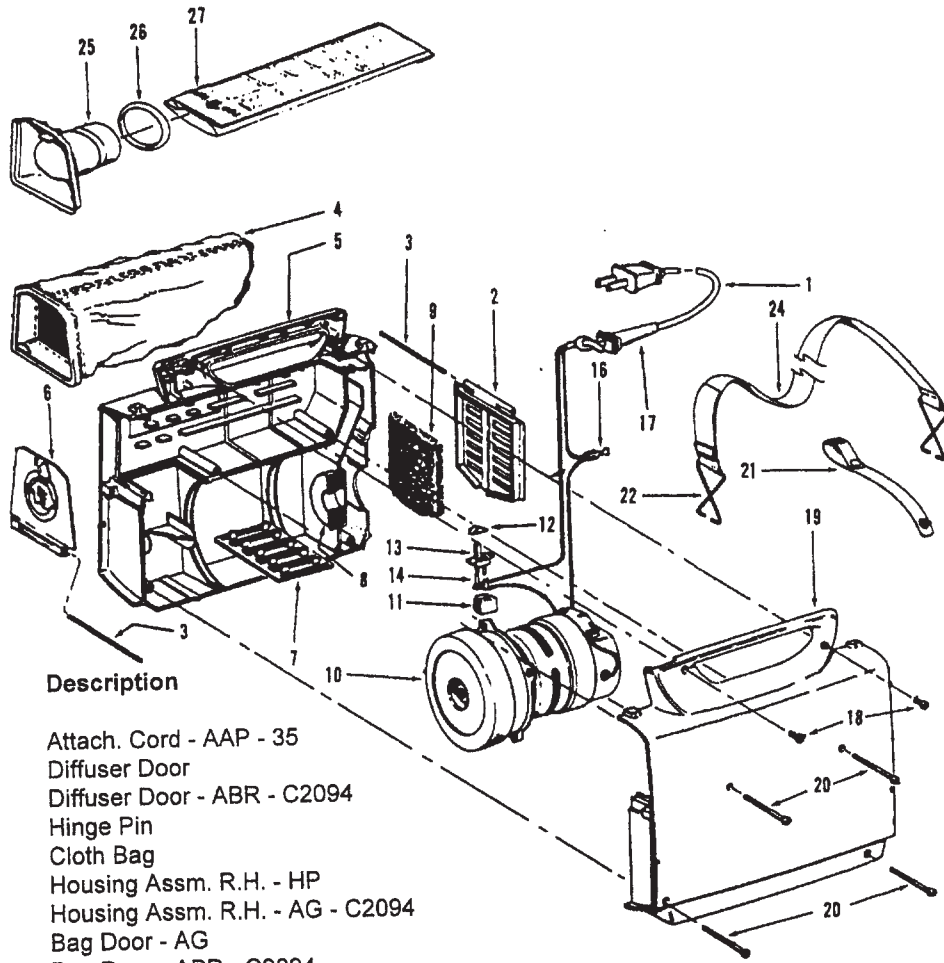


Commercial Portapower

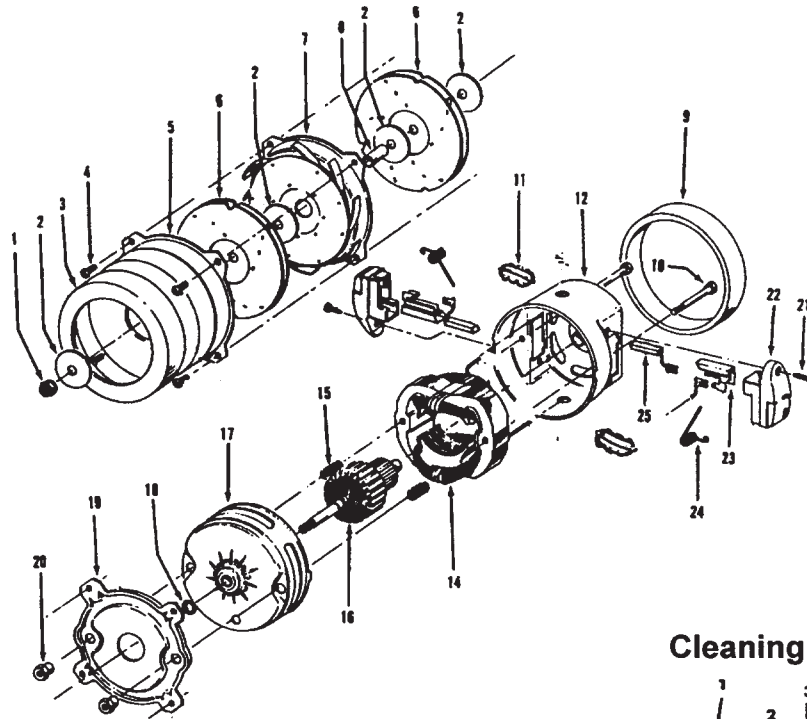
Models S7065, S7065-070 (1.7)
 S7065-022, S7065-060 (2.2)
 Model C2094 (2.2)



Ref. No.	Part No.	Description
1	46383258	Attach. Cord - AAP - 35
2	162059AG	Diffuser Door
	43615056	Diffuser Door - ABR - C2094
3	162062AY	Hinge Pin
4	43662023	Cloth Bag
5	42222158	Housing Assm. R.H. - HP
	42222164	Housing Assm. R.H. - AG - C2094
6	42227039	Bag Door - AG
	42227184	Bag Door - ABR - C2094
7	162083JM	Secondary Filter
8	33712005	Pressure Pad
9	34366001	Diffuser
10	43177018	Motor - 1.7 - S7065, S7065-070 (P - 73)
	43177069	Motor - 2.2 - S7065-022, S7065-060, C2094 (P - 73)
11	37922002	Terminal Shield - BZ
12	38421012	Switch Button - AG
13	28177006	Switch
14	27666702	* Terminal
16	12227	Insulated Terminal
17	36215012	Cord Protector - HP
18	21447043	* Screw - Self Tapping
19	37223104	Housing Assm. L.H. - HP
	37223111	Housing Assm. L.H. - AG - C2094
20	21479573	Screw
21	48615012	Cord Storage Strap Assm.
22	33153002	Strap Hook
24	48615001	Carrying Strap Assm. - AG (Does not include Item 22)
25	38663010	Support Tube
26	46550AG	Bag Retainer
27	4010038N	Paper Bag - 5 Pk.
	56712002	+ Owner Manual
	56712014	Owner Manual - C2094

Commercial Portapower

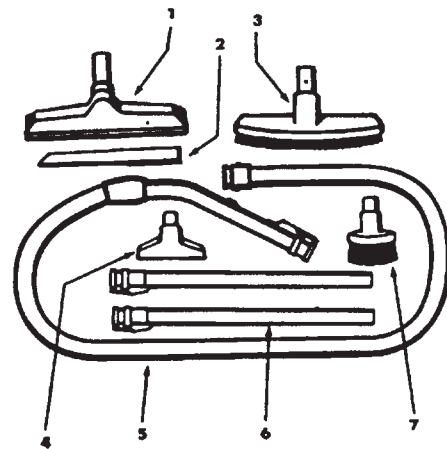
Models S7065, S7065-070 (1.7)
S7065-022, S7065-060 (2.2)
Model C2094 (2.2)



Motor 43177018 (1.7) - S7065, S7065-070
Motor 43177069 (2.2) - S7065-022, S7065-060, C2094

Ref. No.	Part No.	Description
1	33426001	Nut
2	21312701	* Washer
3	31328002	+ Motor Mount
4	21434224	+* Screw
5	37191016	Outerstage Housing
6	43566017	Fan Assm.
7	43551005	Interstage
8	31742010	Fan Spacer
9	31178007	Motor Gasket
10	33421004	+ Field Lamination Bolt
11	169702BZ	+ Snap Bushing
12	42937003	Motor Housing - Upper
14	45311035	Field Coil - 1.7
	45311051	Field Coil - 2.2
15	167721FW	Compression Spring
16	44765171	Armature
17	37191085	Motor Housing - Lower
18	31148002	Spacer
19	36322002	Interstage Mounting Plate
20	167695EF	Nut
21	21429406	* Screw
22	167696AG	Brush Carrier - Only
	47318008	Brush Carrier Assem - (Inc. Items 22, 23, 24, 25)
23	168037--	Brush Holder
24	38353004	Spring
25	167681--	Motor Brush

Cleaning Tools



Ref. No.	Part No.	Description
1	4341401P	R&F Nozzle - ABE
2	38617017	Crevice Tool - AG
3	43414073	Floor Brush - AG
4	43414057	Furniture Nozzle - AG
5	43434223	Hose - ABX
	43434239	Hose Assem. - C2094 (Not Pictured)
6	43453027	Ext. Tube (2)
7	43414064	Dusting Brush - AG

C2094 - 43434239 - Hose Parts

32458005	Hose Connector
36116013	Hose Connector Collar (2)
43466066	Hose Grip