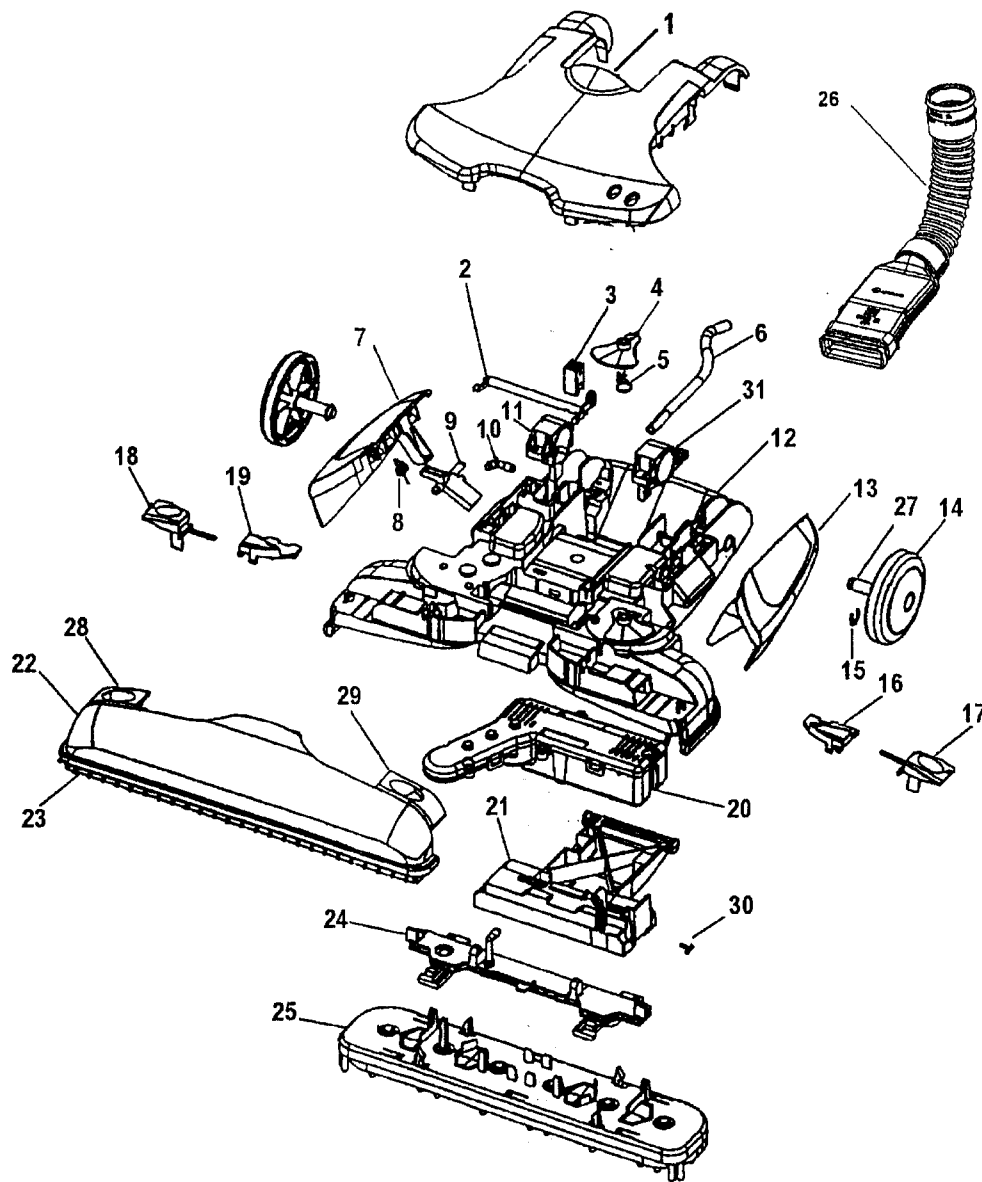


Floor MATE - Upper Housing
220 / 240 Volt - 50 Hz.

Model H3000-006

| Ref. No. | Part No. | Description | Ref. No. | Part No. | Description |
|----------|---------------------|---|----------|----------------|--|
| 1 | 59177055 | Upper Handle | 49 | 59177098 | Recovery Tank Lid Lock |
| 2 | 59177056 | Handle Lever Guard | 50 | 59177054 | Screw (8x45) |
| 3 | 59177058 | Control Lever | 51 | 59177099 | Screw (M3.5x20) |
| 4 | 59177061 | Brush Control Button | 52 | 59177100 | Screw (M3.5x10 SS) |
| 5 | 59177170 | Control Button Spring | 53 | 59177101 | Screw (#8x30) |
| 6 | 59177059 | Cord Wrap - Upper | 54 | 59177102 | Screw (M3.5x10 Z) |
| 7 | 59177063 | Carrying Handle | 55 | 59177103 | Screw (M3.5x10 Z) |
| 8 | 59177057 | Upper Control Rod | 56 | 59177104 | Screw (M3.5x17) |
| 9 | 59177167 | Brush Control Rod | 57 | 59177105 | Screw (M2.6x5) |
| 10 | 59177049 | Circuit Breaker | 58 | 59177169 | Cable Assembly |
| 11 | 59177076 | Solution Tank Assembly | 59 | 59177052 | Rec. Tank Release Button |
| 12 | N/A | Included with item 13 | 60 | 59177543 | On Off Switch (also inc. with item 23) |
| 13 | 59177071 | Solution Tank Cap Assembly (Inc. items 12 & 14) | 61 | Not Applicable | Motor Rear Cushion |
| 14 | N/A | Included with item 13 | 62 | 59177108 | Motor Mount Insulator |
| 15 | 59177070 | Solution Tank Latch | 63 | 59177109 | Water Seal |
| 16 | 38312014 | Spring | 64 | 59177092 | Motor Brushes |
| 17 | 59177068 | Latch Retainer | 65 | 59177010 | Switch Button - H3000 |
| 18 | 38312014 | Spring | | 59177133 | Switch Button - H3010 |
| 19 | 38717009 | Valve Stem | 66 | 59177046 | Brush Control Cap |
| 20 | 59177115 | Float | 67 | 59177073 | E Clip |
| 21 | 38784061 | Valve Seal | 68 | 59177110 | Washer |
| 22 | 59177168 | Retainer | 69 | 59177112 | Spring |
| 23 | 59177508 | All In One Assembly | 70 | 59177114 | Recovery Duct |
| 24 | 59177075 | Reservoir Assembly | 71 | 59177120 | Handle Screw Pack |
| 25 | | Reservoir Gasket | 72 | 59177069 | Screw w/ Washer |
| 26 | 59177006 | Solution Tube | | | Items not illustrated |
| 27 | 59177093 | Protector Jacket | | 59177519 | Capacitor |
| 28 | 59177111 | Microswitch | | | Chemicals |
| 29 | 59177016 | Switch Cover | | 59177324 | Lysol Bare Floor Cleaner - 8 Oz. |
| 30 | 59177630 | Attachment Cord | | | Packaging |
| 31 | 59177094 | Cord Clamp | | 59177547 | Owner Manual |
| 32 | 59177012 | Hose Sealing Gasket | | 59177546 | Carton |
| 33 | 59177011 | Recovery Hose Duct | | | |
| 34 | 59177015 | O Ring | | | |
| 35 | 59177007 | Cord Wrap - Lower | | | |
| 36 | 59177507 | Lower Housing | | | |
| 37 | 59177014 | Duct Hose Mount | | | |
| 38 | 59177008 | Tank Base | | | |
| 39 | 59177509 | Motor Assembly -also includes 40, 54, 55 | | | |
| 40 | 59177095 | Fan Chamber Gasket | | | |
| 41 | 59177018 | Louver Cover - RH | | | |
| 42 | 59177017 | Louver Cover - LH | | | |
| 43 | 59177009 | Front Cover | | | |
| 44 | 59177096 | Filter Lid | | | |
| 45 | 59177051 | Filter Assembly | | | |
| 46 | 59177053 | Recovery Tank Lid w/o gasket (also order item 47) | | | |
| 47 | 59177097 | Tank Lid Gasket | | | |
| 48 | 59177050 | Recovery Tank | | | |



Floor MATE - Lower Housing
220 / 240 Volts - 50 Hz.

Model H3000-006

| Ref. No. | Part No. | Description |
|----------|----------|---|
| 1. | 59177365 | Hood Assembly |
| 2. | 59177028 | Brush Lifting Lever |
| 3. | 59177036 | Brush Activator |
| 4. | 59177366 | Indicator - Up / Down |
| 5. | 59177032 | Indicator Spring |
| 6. | 59177006 | Solution Tube |
| 7. | 59177363 | Handle Release Pedal |
| 8. | 59177037 | Lock Plate Spring |
| 9. | 59177031 | Lock Plate |
| 10. | 59177035 | Elbow Connector |
| 11. | 59177024 | Turning Cap - RH |
| 12. | 59177025 | Main Body w/ Bumper |
| 13. | 59177354 | Squeegee Pedal |
| 14. | 59177044 | Rear Wheel Assembly (2) |
| 15. | 59177088 | Lock Ring |
| 16. | 59177033 | Cap - LH - Brush Block Button |
| 17. | 59177026 | Brush Block Button - LH |
| 18. | 59177027 | Brush Block Button - RH |
| 19. | 59177034 | Cap - RH - Brush Block Button - |
| 20. | 59177505 | Brush Motor Assembly |
| 21. | 59177041 | Front Wheel Assembly (Includes wheels and wheel shafts) |
| | 59177086 | Wheel - Only (4) |
| | 59177085 | Wheel Shaft - Only (4) |
| 22. | 59177043 | Nozzle Assembly (Inc. items 23, 28, 29) |
| 23. | 59177047 | Retainer/Squeegee Assem. |
| 24. | 59177153 | Distributor Assembly |
| 25. | 59177038 | Brush Block Assembly |
| 26. | 59177042 | Water Channel / Hose Assembly |
| 27. | 59177087 | Rear Axle (2) |
| 28. | 59177089 | Nozzle Latch - RH |
| 29. | 59177090 | Nozzle Latch - LH |
| 30. | 59177084 | Snap Pin |
| 31. | 59177023 | Turning Cap - LH |

Items not illustrated

| | |
|----------|---|
| 59177091 | Screw - Motor Mount and Turning Cap (9) (#8x16) |
|----------|---|

exp 219