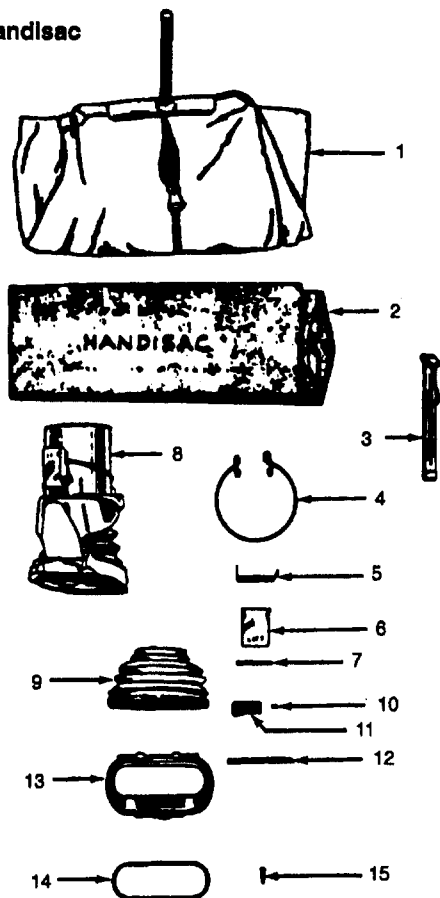


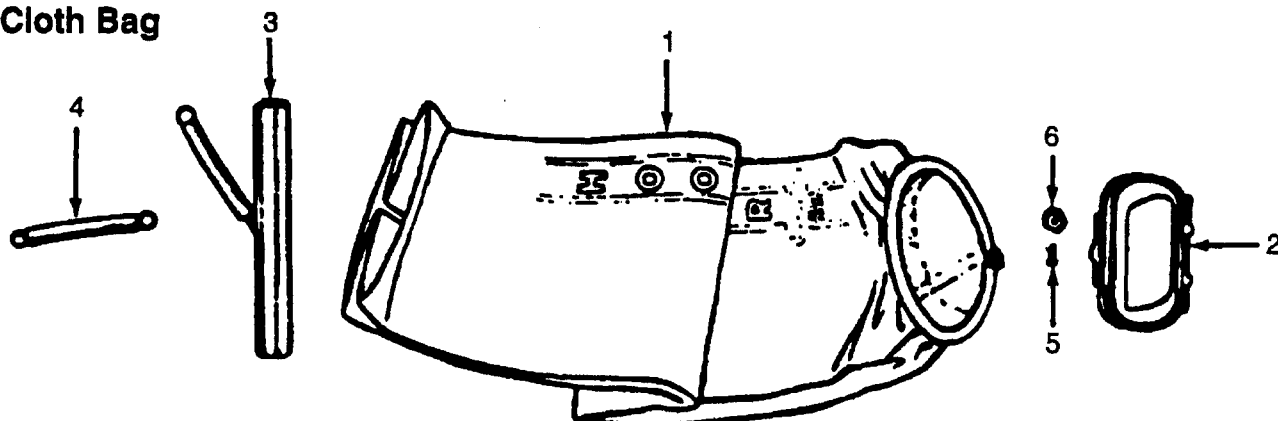
Handisac

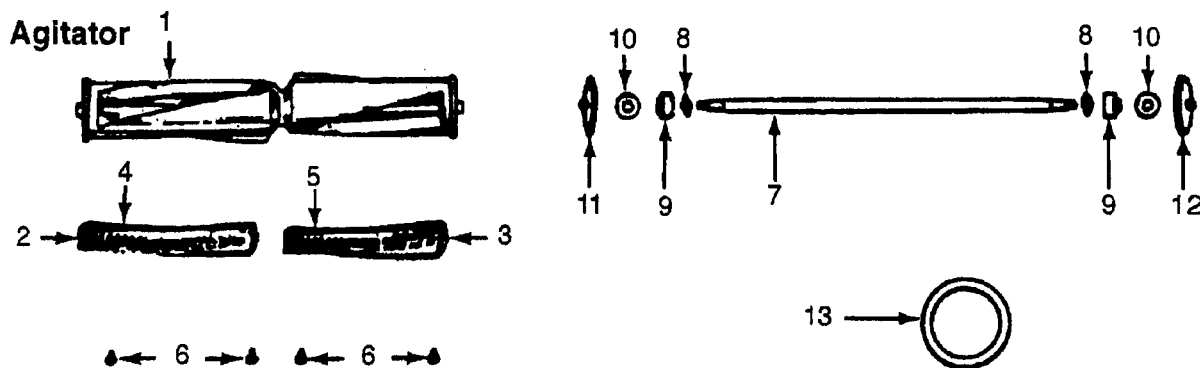


Ref. No.	Part No.	Description
	11526JM	+ Outer Bag Comp.
1	22476R	+ Outer Bag - Cloth
2	4010013W	+ Handisac (4-Pk.)
3	46119 AY	+ Closure Clip
4	21735	+ Clamp Spring
5	45216	+ Spring
6	45378	+ Latch
7	162273	+ Pin
8	22464	+ Handisac Assem.
9	10540	+ Bellow
10	162232	+* Rivet
11	45377	+ Spring Retainer
12	162272	+ Shaft
13	22987	+ Bag Ring
14	45376	+ Bellow Retainer Ring
15	21765159	* Screw

Ref. No.	Part No.	Description
1	22030	+ Outer Bag - Cloth
2	45404	+ Bag Ring
3	43362	+ Bag Support Assem.
4	42990	Spring
5	21765159	* Screw
6	15854EF	* Nut

Cloth Bag



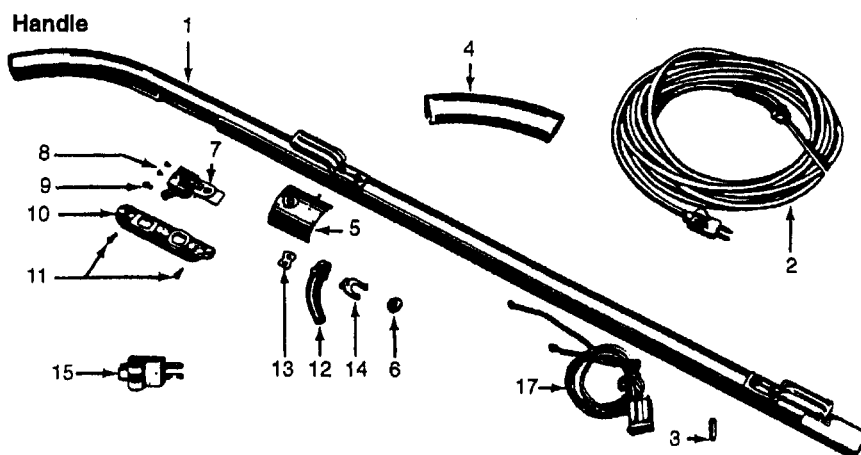


Ref. No.	Part No.	Description
1	46849	+ Agitator - Less Brushes
2	86679	+ Agitator Brush - Long
3	86680	Agitator Brush - Short
4	47159	Agitator Brush - Long - Nylon
5	47160	Agitator Brush - Short - Nylon
6	46875	Screw
7	45141	+ Shaft
8	21347003	* Washer
9	12978	Agitator Bearing

Ref. No.	Part No.	Description
10	13010	* Felt Washer
11	45135AY	Agitator Thread Guard - LH
12	45134AY	Agitator Thread Guard - RH
13	49258AG	Belt

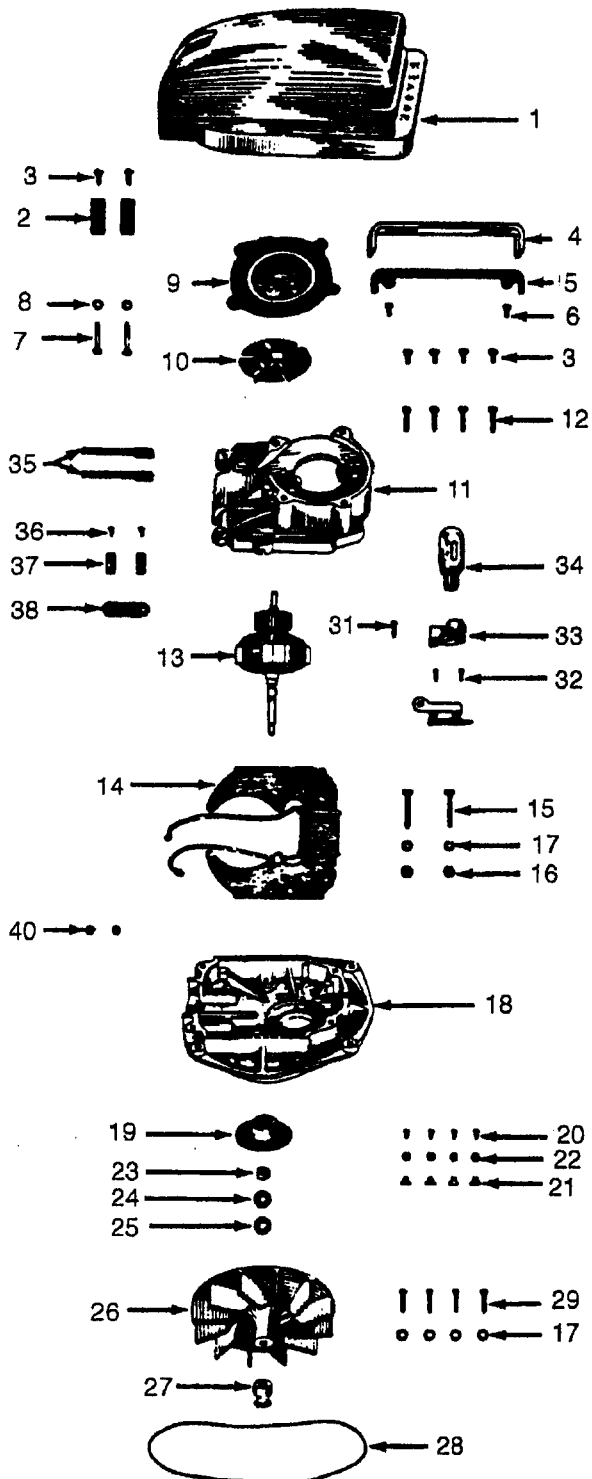
Refer to Part No. Stamped on Brushes for correct replacement Brushes for original Agitator.

2	82667	+ Agitator Brush - Long
3	82668	+ Agitator Brush - Short



Ref. No.	Part No.	Description
1	46151JM	+ Handle Shell Only - Less Grip
2	46363195	Cord
3	45344	+ Handle Plug Screw
4	12230JM	+ Handle Grip
5	12272	+ Switch Insulator Assem.
6	13008	* Switch Pad
7	12971	Switch
8	161994	+* Switch Brass Screw - Small

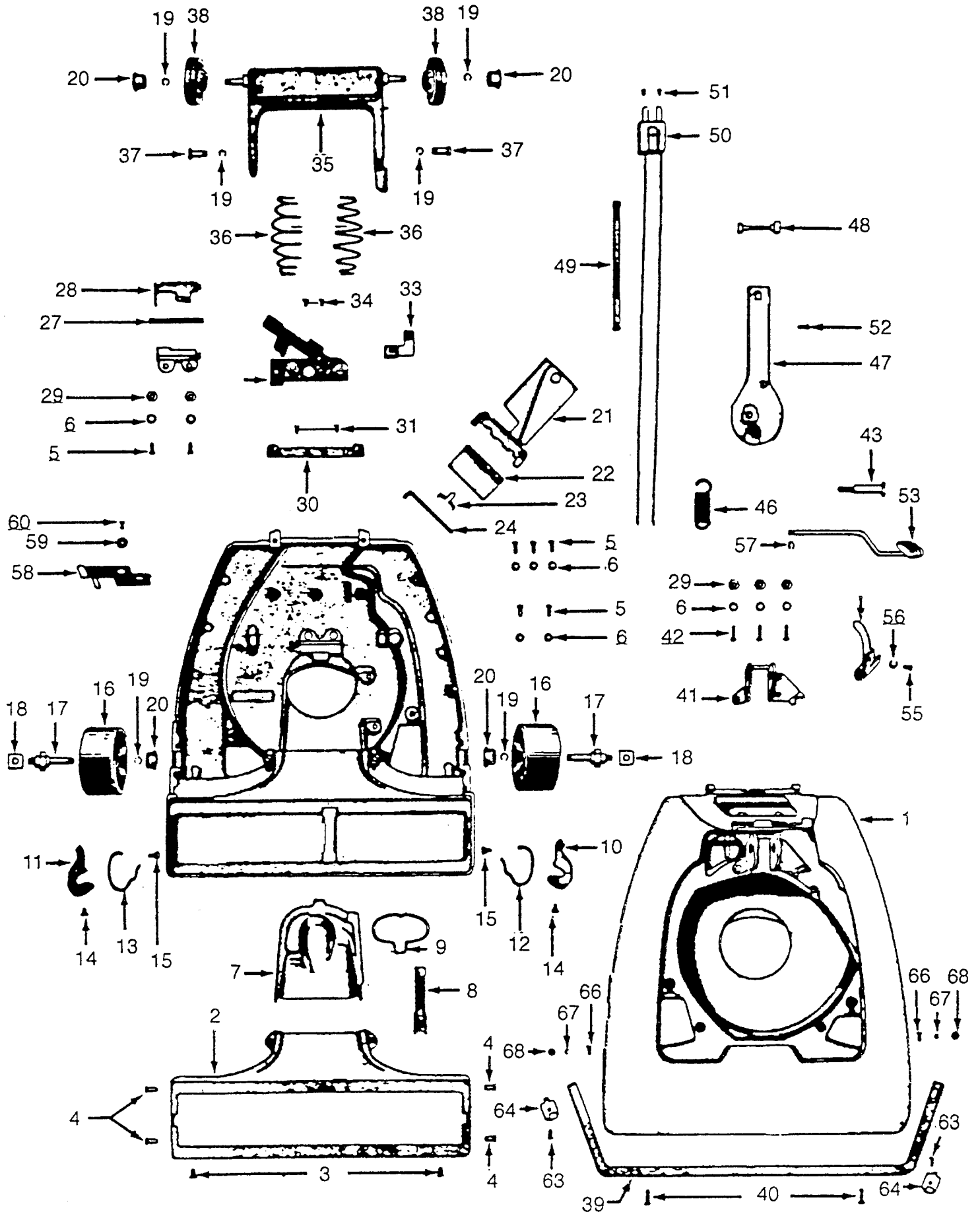
Ref. No.	Part No.	Description
9	23369002	+* Switch Brass Screw - Large
10	23138AW	Switch Cover Plate
11	21465314	* Switch Cover Plate Screw
12	31969AG	Cord Protector
13	18676	Cord Retainer Lock
14	42317	+* Cord Protector Retainer
15	35380	Plug Comp.
17	12574	+ Handle Inside Wire



Ref. No.	Part No.	Description
1	45484	+ Motor Hood
2	45151	+ Motor Hood Attachment Plate
3	44099	+ Screw
4	21654	+ Dirt Finder Lens
5	600040	+ Dirt Finder Lens Mounting
6	21465314	* Mounting Lens Screw
7	47195	+ Motor Hood Screw
8	14062	* Washer
9	42934002	Upper Motor Bearing
10	38755004	Ventilating Fan
11	19857	+ Upper Motor Casing
12	161535	* Screw
13	21653	Armature
14	45412015	Field Coil
15	45118	* Field Iron Bolt
16	15673	* Nut
17	14062	* Washer
18	10504	Lower Motor Casing
19	19829	Lower Motor Bearing
20	21772501	* Screw
21	45251	Nut
22	19772	* Lock Washer
23	162233	+ Fan Spacer
24	169241AW	* Washer
25	169241AW	* Washer
26	21644	Fan
27	33964	+ Fan Pulley
28	45452	Motor Gasket
29	45355	+ Screw
31	21465314	* Screw
32	44706	+* Screw
33	11154	+ Dirt Finder Socket
34	42241	Dirt Finder Lamp - 25 Watt
35	47318012	Carbon Brush & Spring
36	23369002	+* Screw
37	47275	+* Carbon Brush Retainer
38	55298	+ Lead Wire Holder
40	19249	+* Eyelet

Main Casting

Model 61



Main Casting

Models 61

Ref. No.	Part No.	Description	Ref. No.	Part No.	Description
1	N/A	+ Main Casting	35	47374	+ Rear Wheel Support
2	32965	+ Cleaner Bottom Plate	36	45166	+ Nozzle Adjustment Spring
3	19240	+* Rivet	37	45165	+ Rear Wheel Support Shaft
4	19251	+ Rivet	38	38521041	Rear Wheel
5	161863	+ Screw	39	22983JM	+ Furniture Guard
6	14062	* Washer	40	48265	+* Rivet
7	32769	+ Pulley Cover	41	45964	+ Handle Support Bracket
8	32731	+ Belt Guard	42	45355	+ Screw
9	45175	Belt Guard Spring	43	46053	+ Handle Support Shaft
10	32695	+ Agitator Clamp Lever - RH	46	45105	+ Handle Support Spring
11	32696	+ Agitator Clamp Lever - LH	47	33474	+ Handle Control Socket
12	32712	+ Agitator Clamp Lever Spring - RH	48	48294AW	Handle Bolt
13	32713	Agitator Clamp Lever Spring - LH	49	46920AZ	+ Motor Lead Spring
14	45218	+ Agitator Clamp Lever Rivet	50	34021	+ Handle Socket Plug & Wires
15	45219	+* Rivet	51	162344	+* Screw
16	38522028	+ Front Wheel	52	21465314	* Screw
17	45146	+ Front Wheel Shaft	53	46517	+ Handle Control Release Lever Shaft
18	162237	* Nut	54	45948	+ Handle Control Release Lever
19	17207AZ	* Lock Ring	55	162569	+ Screw
20	44560	+ Hub Cap	56	16586AY	+* Washer
21	21651	+ Tool Connector Housing	57	12979	* Lock Ring
22	45190	+ Valve	58	22036	+ Nozzle Adjustment Lever
23	45191	Valve Spring	59	162279	+ Washer
24	162268	+ Valve Shaft	60	162278	+ Rivet
27	19745	+* Pulley Cover Latch Spring	63	12997AW	* Rivet
28	32666	+ Pulley Cover Latch	64	45955	+ Furniture Guard Clip
29	15673	* Nut	66	45355	+ Furniture Guard Screw
30	32759	Bag Flange Support	67	14062	* Washer
31	51277	+* Rivet	68	15673	* Nut
32	45306	+ Bag Flange Latch Lever			
33	45978	+ Bag Flange Lever Spring			
34	45305	+ Rivet			