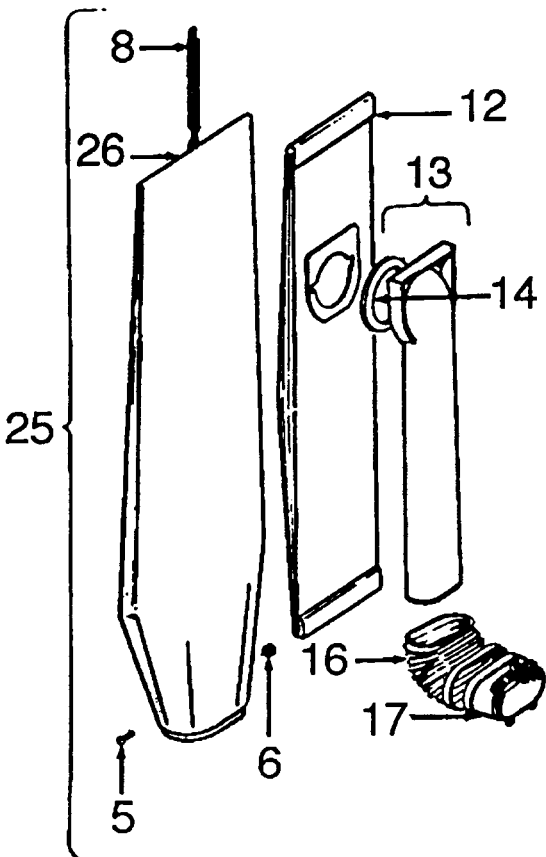
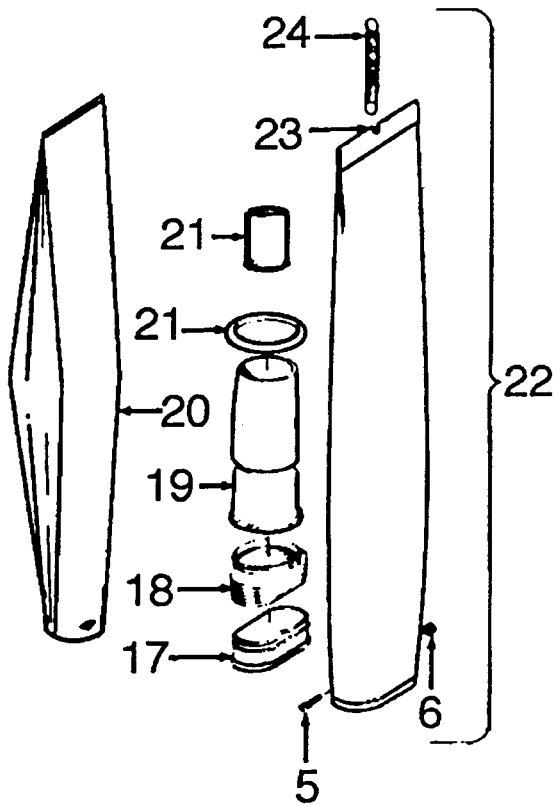


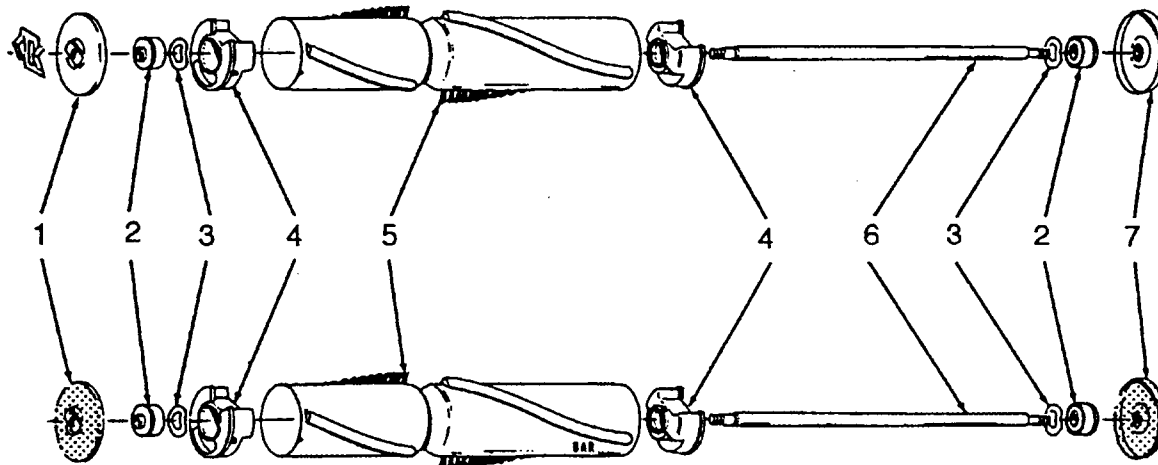
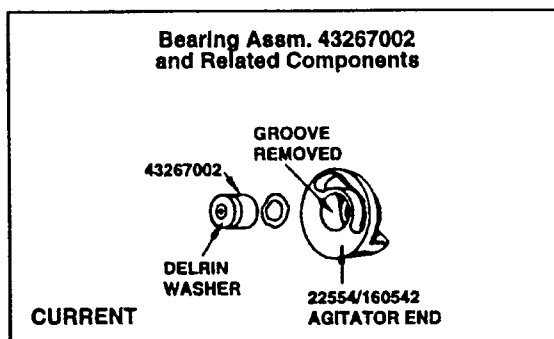
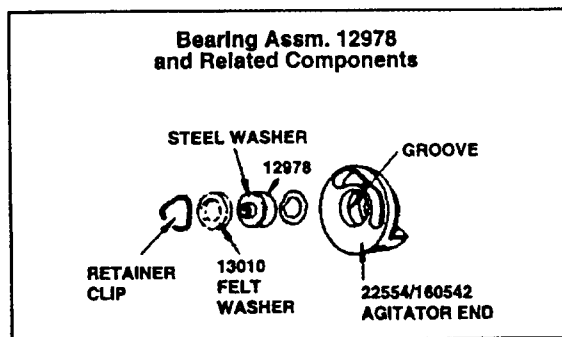
Outer Bag/ Outer Bag Comp.



Ref. No.	Part No.	Description
5	21765159	Screw
6	15854EF	* Nut
8	38336014	Jacket Support Spring
12	4010001A	Throw Away Bag (3 Pk.)
13	43482058	+ Top Fill Tube & Seal (Shown)
	38657004	Top Fill Tube (Push on Type)
14	32174004	Bag Collar Seal (Use w/Item 13 - 43482058)
16	38673009	Bellows
17	41424011	Bag Ring & Gasket
	41424502	+ Bag Ring & Gasket - U4014-079
18	11064JM	Bellow
19	161889	Bag Support Tube
20	4010003C	Throw Away Bag (4 Pk.)
	4010004C	+ Throw Away Bag (1 2 Pk.)
21	46550AG	Bag Retainer
21	35091	+ Bag Retainer Sleeve - Early Models
22	43678331	Outer Bag Comp. - Bottom Fill - Wide - Common
	43678052	+ Outer Bag Comp. - Bottom Fill - Narrow - Common
23	43677052	+ Outer Bag - Bottom Fill - Narrow - Common
	43677321	Outer Bag - Bottom Fill - Wide - Common
	43686510	Outer Bag - U4014-079 (Zip)
24	38335006	Jacket Support Spring
25	43678330	Outer Bag Comp. - Top Fill - Common
26	43677322	Outer Bag - Top Fill - Common

ITEMS NOT ILLUSTRATED

37911043	+ Header Cap - U4087 (JE)
37911044	+ Header Cap - U4091 (AR)
37911045	+ Header Cap - U4075 (EW)
37911047	+ Header Cap - U4093 (ET)
41129008	Cable Tie & Instruction Sheet (Used to secure the vinyl outer Jacket to the Bag Ring)
36953003	Hanger (Used in the repair of Item #'s 22,23,25,26. Secures Jacket Support Spring to Outer Bag/Outer Bag Comp.)



Ref. No.	Part No.	Description
1	49180	Thread Guard & Spring (Metal)
	36423003	+ Thread Guard L.H. (Molded)
2	43267002	Bearing
3	21347003	* Thrust Washer
4	22554	Agitator End (Early Model Standard Performance Cleaners, L.H. Helix)
	160542	Agitator End (Standard & High Performance Cleaners, R.H. Helix)
	41435070	Agitator End (Use w/two brush agitator Pt. #48414021)
5	12998BZ	Agitator Brush - 8 mil (Early Model Standard Performance Cleaners, L.H. Helix)
	160646BZ	Agitator Brush - 8 mil (Standard Performance Cleaners, R.H. Helix)
	48445001	Agitator Brush - 11 mil (High Performance Cleaners, R.H. Helix)
6	12981	+ Agitator Shaft (Used w/metal thread guards)
	32724008	Agitator Shaft (Used w/molded thread guards)
7	12985AY	Thread Guard R.H. (Metal)
	36423007	+ Thread Guard R.H. (Molded)

AGITATOR BELT

Ref. No.	Part No.	Description
	49258AG	Domestic models, Convertible/Decade 80/Heavy Duty Commercials
	44783AG	Lightweight Commercials

AGITATOR ASSEMBLY

	169371MF	+ Standard Performance, R.H. Helix (Metal Thread Guards)
	41435005	High Performance Cleaners, R.H. Helix (Metal Thread Guards w/Spring)
	48414006	+ High Performance Cleaners, R.H. Helix (Metal Thread Guards)
	48414007	+ Standard Performance, R.H. Helix (Molded Thread Guards)

FOUR BRUSH AGITATOR ASSEMBLY

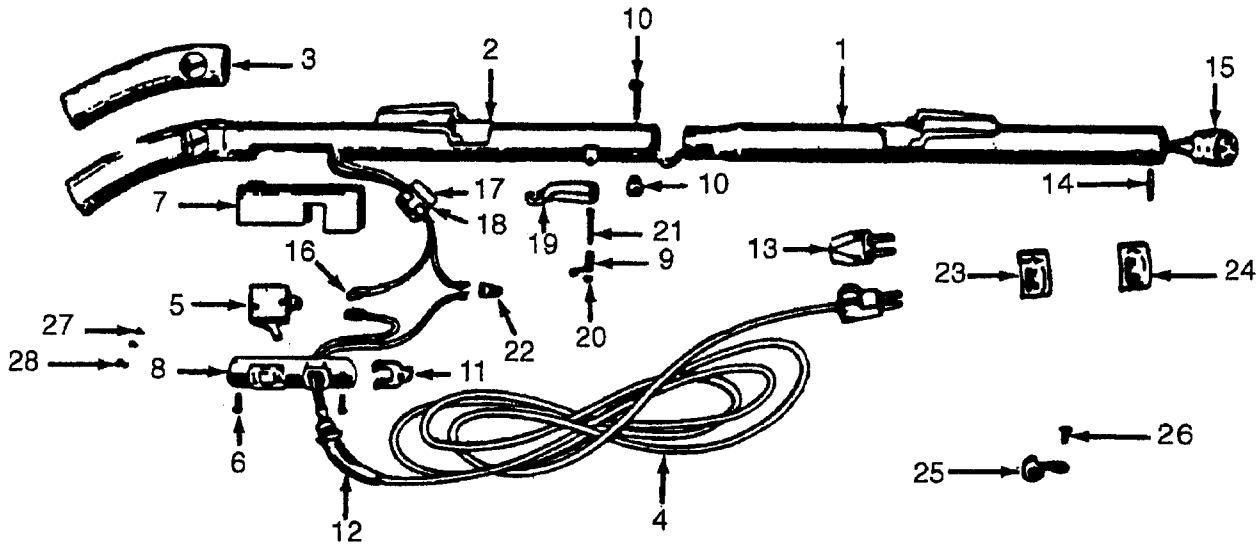
	48414002	+ Heavy Duty Commercial (Use 47159 Brush-Long, 47160 Brush-Short & 46875 Sems Fastener)
	48414003	Lightweight Commercial (Use 160646BZ Brush & 36422003 Agitator End)

TWO BRUSH W/O BEATER BAR

	48414021	Agitator (Molded Thread Guards)
--	----------	---------------------------------

Handle

Models 31, 32, 33, 34, 35, 36, 65, 66, 67, 68
69, 70, 564, 574, 584, 704, 714, 1010, 1060



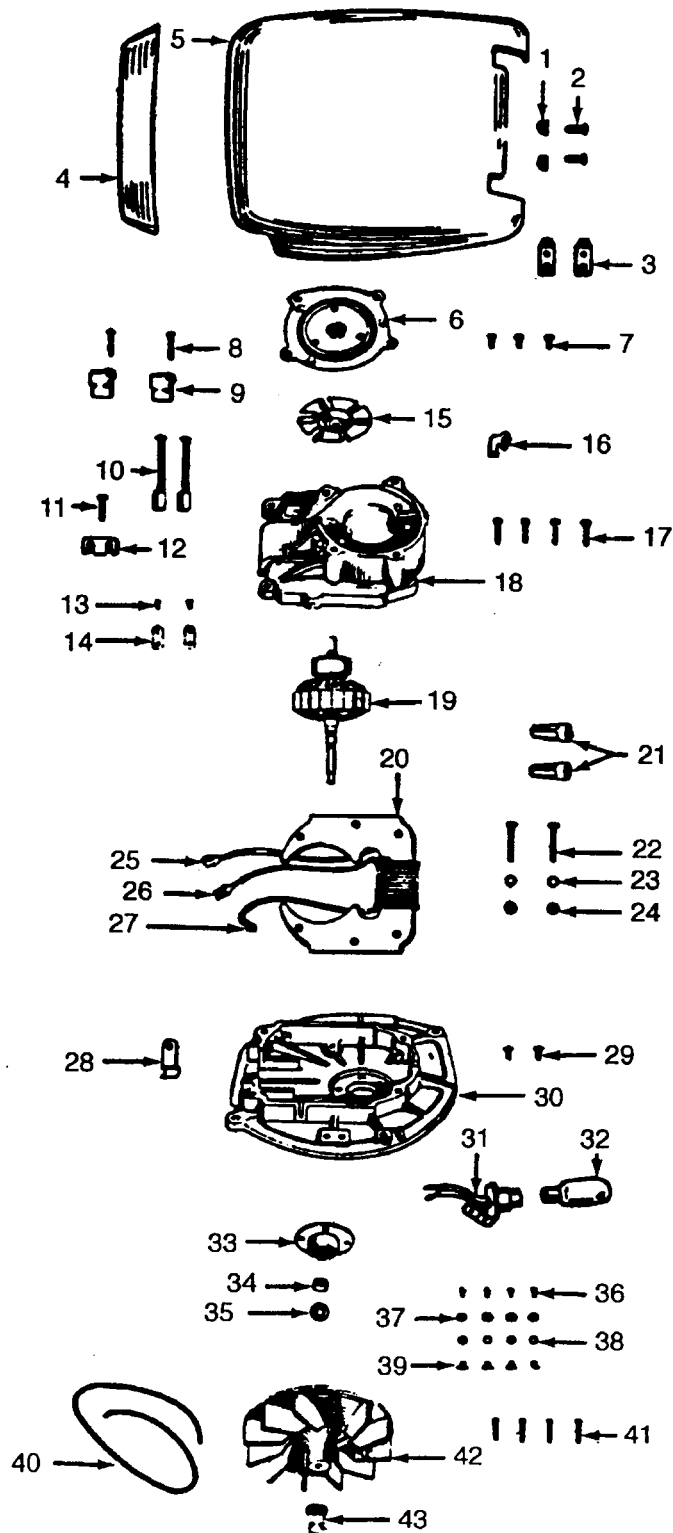
Ref. No.	Part No.	Description	Ref. No.	Part No.	Description
	48655069	Handle Comp. - 714	20	48123AY	+* Retaining Ring
	48655208	Handle Comp. (All except 31)	21	48882	+* Jacket Support Pin
	22642JM	+ Handle Comp. - 65	22	48969	* Solderless Connector
1	48631140	+ Handle (Lower Half) (All except 31)	23	35005AB	+ Cord Support - LH - 31
	48631056	Handle (Lower Half) - 31	24	35004	+ Cord Support - RH - 31
2	49562JM	+ Handle (Upper Half) - 65, 68, 69, 70, 1060	25	42330	+ Bag Support Hook - 31
	48655208	Handle Assem. - (Upper Half)	26	44099	+ Screw - 31
	35245JM	+ Handle (Upper Half) - 66, 67	27	161994	+* Switch Screw (Small) - 65, 66
	35602JM	+ Handle (Upper Half) - 31	28	23369002	+* Switch Screw (Large) - 65, 66
3	23458JM	Handle Grip			
	160802C	+ Handle Grip - 714			
4	46363195	Cord			
	46363338	Attachment Cord			
5	12971	Switch (All except 31)			
6	21465314	Screw			
7	12272	+ Switch Insulator & Bushing			
8	12973AW	Switch Cover Plate - w/o Hook			
	23138AW	Switch Cover Plate - w/Hook			
9	35205	+ Jacket Support Sp.			
10	48294AW	Handle Clamp Bolt & Nut Assem.			
11	36171043	+ Cord Protector Retainer			
12	31969AG	Cord Protector (All except 31)			
	12229JM	+ Cord Protector - 31			
13	35380	Cord Plug Assem.			
14	37088	+* Handle Receptacle Pin			
15	34484JM	+ Handle Receptacle Assem.			
16	160356	* Terminal - All except 31, 65, 66			
	19249	+* Eyelet - 65, 66			
17	12261	+ Strain Relief Lock			
18	12260	+ Strain Relief			
19	35234AW	+ Jacket Support			

ITEMS NOT ILLUSTRATED

18676	Cord Retainer Lock
13704	Lock Washer - Use w/Handle Bolt & Nut #48294

Motor

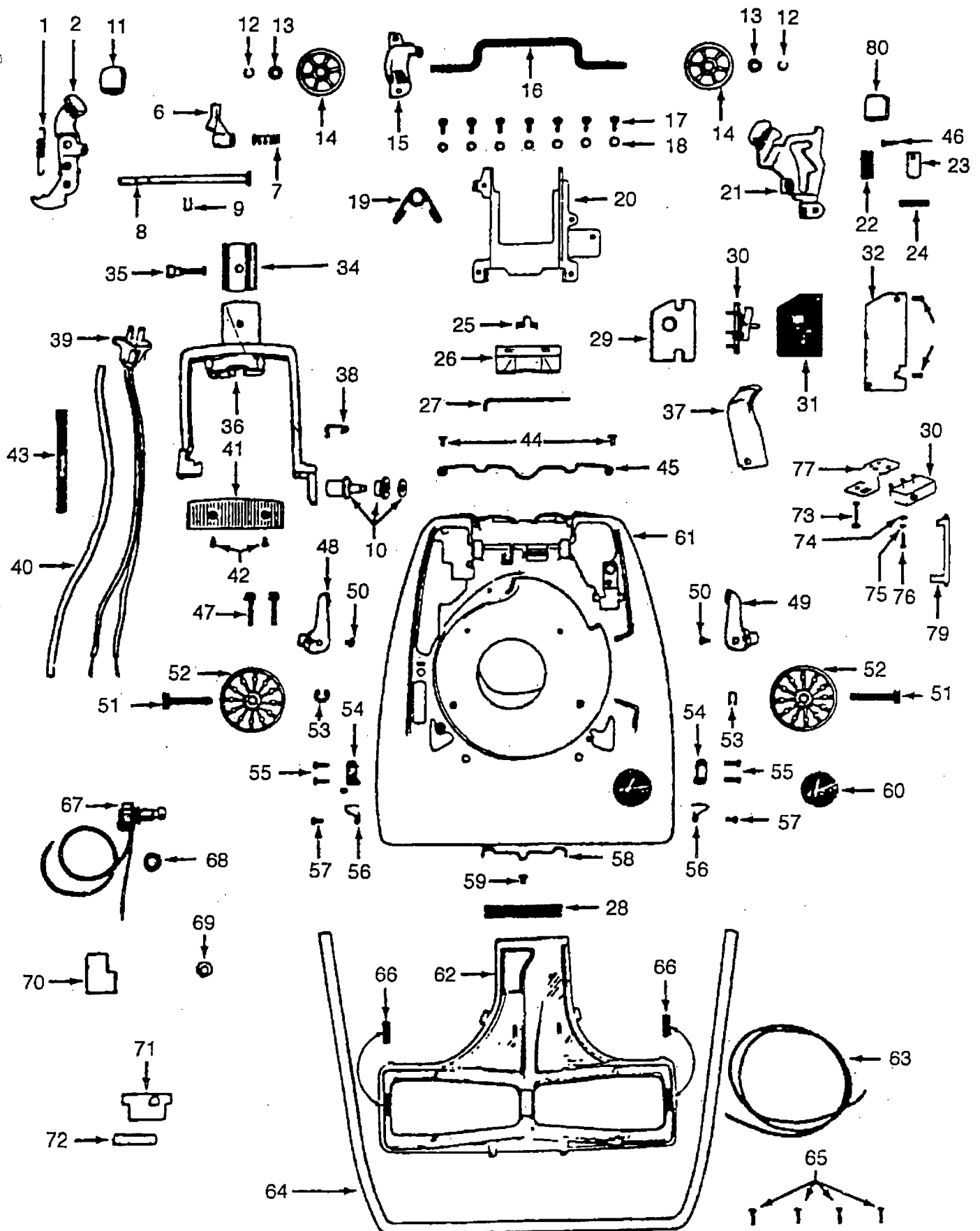
Model 65-70, 564, 574, 704, 704-01, 706
707, 714, U4027, U4027-001, U4085



Ref. No.	Part No.	Description
1	16125AY	Capsert
2	16903	Screw
3	48620	+ Hood Attachment Plate
4	22631CA	+ Lens
	162954CA	Lens - U4085
5	162720JM	Motor Hood
	165928JM	+ Motor Hood - 707
	161649JM	Motor Hood - EW - U4085
6	42934002	Motor Bearing - Top
7	45533AY	+* Screw
8	46930AZ	+* Screw
9	36315003	Motor Brush Holder Insulator
10	47318012	Motor Brush
11	46930AZ	+* Screw
12	34035	+ Terminal Box
13	23369002	+* Screw
14	47275	+* Retainer
15	38755004	Ventilating Fan
16	48660	+ Lead Wire Clip
17	161535	Screw
18	19857	+ Motor Case
19	44765085	Armature
20	45412014	+ Field Coil
21	48969	* Wire Nut
22	45118	* Bolt
23	14062	* Lock Washer
24	15673	* Nut
25	14197	+* Terminal
26	160356	* Terminal
27	19249	+* Eyelet
28	34312011	* Lead Wire Clip
29	44706	+* Screw
30	42193006	Motor Case - Lower Half w/Sealant
31	47243	+ Lamp Socket - 65, 66
	17016	Lamp Socket
32	27317307	Lamp - 15 Watt
	42241	Lamp - 25 Watt
33	19829	Motor Bearing - Lower
34	163059	+ Fan Spacer
35	169241AW	* Fan Washer
36	21772501	* Screw
37	19772	* Washer
38	14062	* Lock Washer
39	45251	Nut
40	47232	Gasket
41	45355	+ Screw
42	38755011	Fan
43	38532009	Motor Pulley
ITEMS NOT ILLUSTRATED		
	164684	+ Insulation Shield
	43574140	Motor Comp.
	68564063	Sealant (3 oz. tube, use in conjunction with 42192010)
	40300014	Armature Spacer/Split Sleeve Kit (For use with Lower Mtr. Brgs. with 4 Attachment Holes)

Main Casting

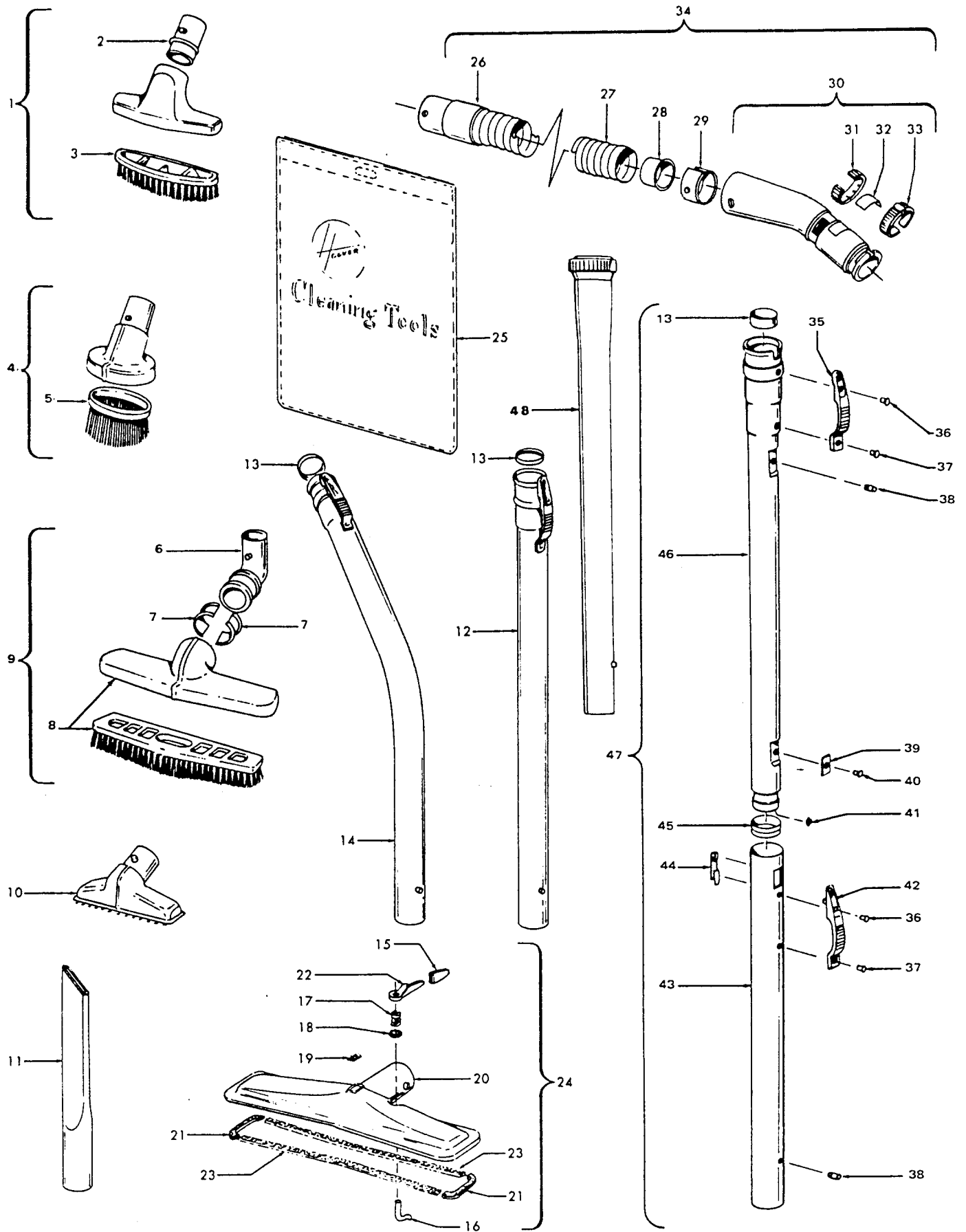
Models 31, 32, 33, 34, 35, 36, 65, 66, 67, 68,
69, 70, 564, 574, 584, 704, 714, 1010, 1060



Main Casting

Models 31, 32, 33, 34, 35, 36, 65, 66, 67, 68 69, 70, 564, 574, 584, 704, 714, 1010, 1060

Ref. No.	Part No.	Description	Ref. No.	Part No.	Description
1	12984AY	Nozzle Adj. Lever Spring	44	12991	+* Rivet
	47562JM	+ Nozzle Adj. Lever & Pad	45	34344FW	+ Bag Flange Retainer Spring
6	19907	Bag Flange Clamp Lever	46	47637	+* Screw
7	48409FW	Spring	47	47195	+ Screw
8	47247	+ Bail Shaft	48	35446003	Bottom Plate Latch - RH
9	12979	Bail Shaft Lock Ring	49	35446005	Bottom Plate Latch - LH
10	11735	Roller Detent Assem.	50	12456	+* Rivet
11	34315A	+ Foot Pad	51	47457AY	Front Wheel Shaft
12	17207AZ	* Lock Ring	52	34791AG	Front Wheel
13	21312772	* Washer	53	13730	* Lock Ring
14	38521041	Rear Wheel	54	34355002	Agitator Support Plate
15	34205AW	+ Rear Wheel Shaft Stop Plate	55	48422	* Rivet
16	34351FW	Rear Wheel Shaft	56	47259AY	Spring
17	47637	+* Screw	57	32243001	* Rivet
18	14062	* Lock Washer		48423	+* Rivet 31, 65,66,67
19	34353	Rear Wheel Support Spring	58	34439	Cleaner Bottom Plate Spring
20	36435016	+ Converter Housing	59	161882	+* Rivet
21	43137036	Handle Control Lever	60	35053	+ Medallion - Clip On
22	12559FW	Handle Control Lever Spring		51661008	+ Medallion - Stick On
23	34665007	Pivot Pin Retainer	61	42242064	Main Body Assem. - Common
24	47450AY	Handle Control Lever Pivot Pin	62	167238	+ Cleaner Bottom Plate
25	45191	Converter Valve Spring	63	31718001	Cleaner Bottom Plate Gasket
26	34350	Converter Valve	64	16974JM	Furniture Guard - 1 060
27	17465AY	+ Converter Valve Shaft		17458JM	+ Furniture Guard - 1 01 0
28	47237	+ Converter Valve Felt		16974JM	Furniture Guard - Long
29	48385	+ Speed Control Switch Insulator		35040A	+ Furniture Guard - Short
30	34962	+ Speed Switch - Under Casting	65	12997AW	* Furniture Guard Rivet
	13890	+ Speed Switch - Under Hood	66	34111001	* Support Pads
31	22627	+ Speed Control Switch Housing	67	28212017	Switch - 31
32	16968	+ Patent Plate	68	12626	+* Nut
33	21465314	* Screw	69	12226	+ Strain Relief - 31
34	35463002	Handle Retainer Plate	70	48767	+ Handle Stop - 31
35	48294AW	Handle Clamp Bolt & Nut	71	48805	+ Strain Relief Mounting Plate - 31
36	41416030	Bail - All except 31	72	48807	+ Lead Wire Cover Tube - 31
	35064JM	+ Bail - 31	73	14279	+* Screw
37	13941	+ Lead Wire Protector	74	14199	+* Nut
38	39442030	+ Cord Clip	75	14287	+* Washer
39	23296AG	Handle Socket Plug Assem.	76	12892	* Screw
40	31727023	Cord Cover Tube	77	18589	+ Switch Bracket
41	34192	Bail Grip	79	18588	+ Switch Actuator
42	166648AW	+* Bail Grip Screw	80	38426080	Foot Pad
43	38313023	Motor Lead Spring			



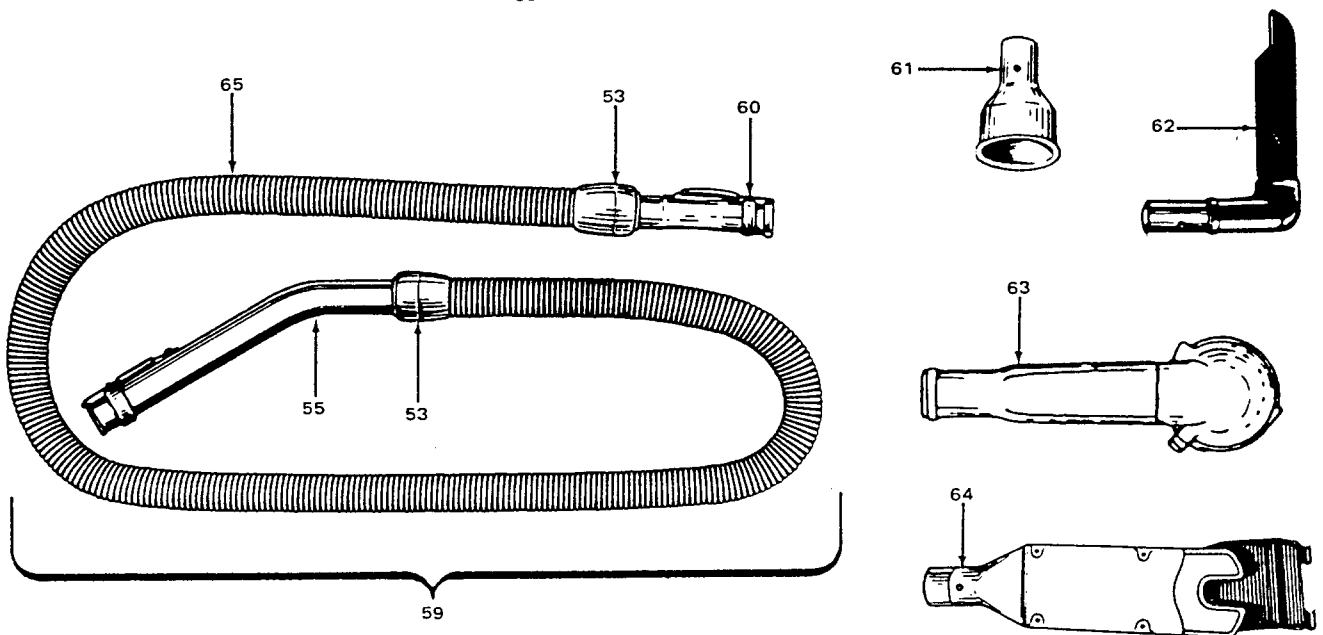
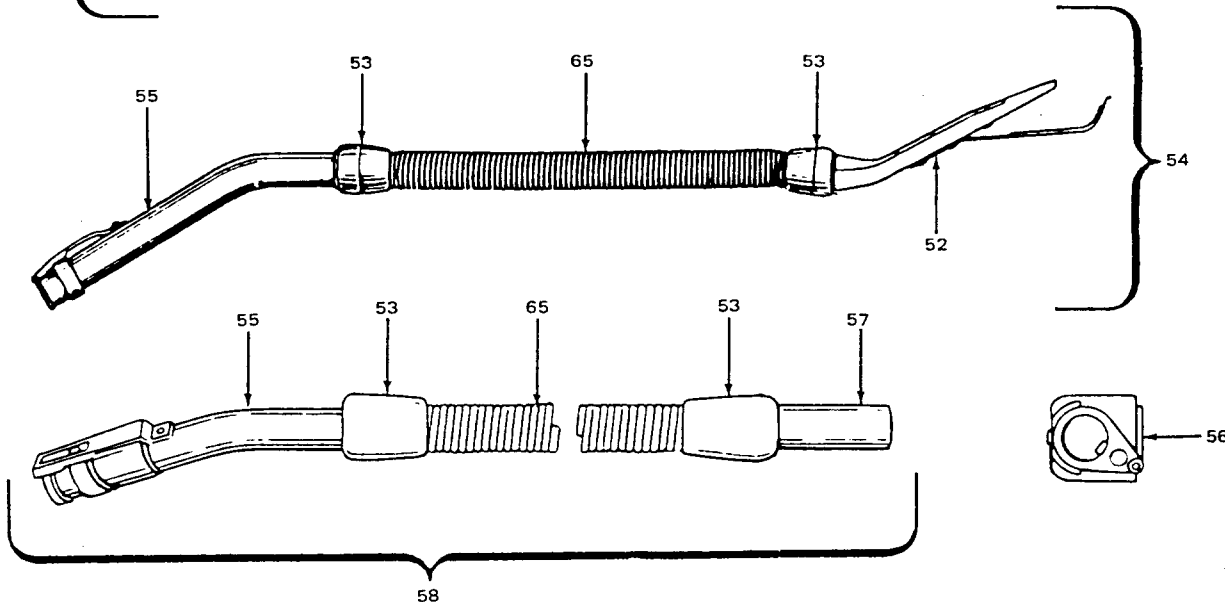
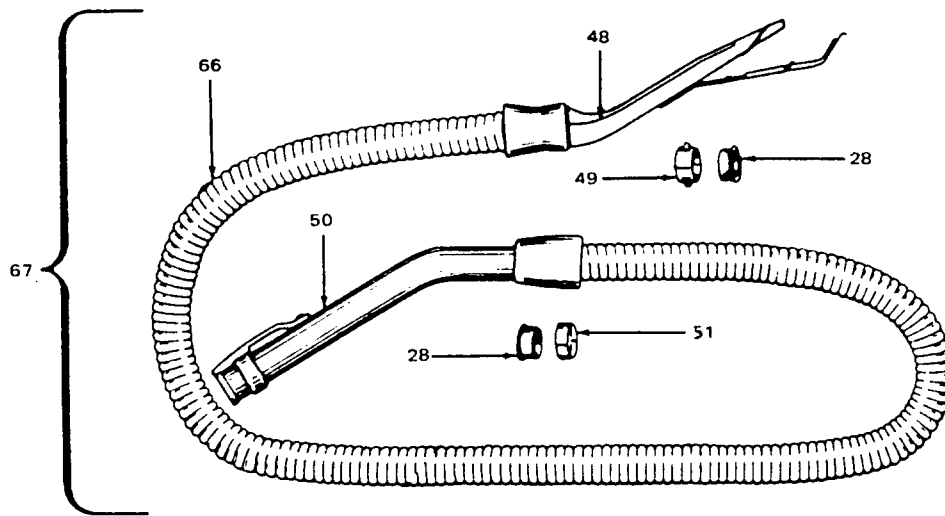
Cleaning Tools

Ref. No.	Part No.	Description
1	161852JM 43414016	+ Furniture Brush Furniture Brush - AG
2	13149JM	Nozzle Connector Tube (Use w/ 161852JM)
3	13254BZ	+ Furniture Brush Back (Use w/161852JM)
4	161851JM 43414064 43414145	+ Dusting Brush Comp. Dusting Brush (One Piece) (Std Fit) Dusting Brush - Friction
	13263BZ	+ Brush (Use w/ 61851 JM)
6	13154JM	+ Floor Brush Swivel & Collar (Use w/13077JM)
	38644040	Swivel Connector (Use w/43414073)
7	13276	Floor Brush Swivel Bushing (Use w/13154JM)
	33712007	Split Ring (Use w/38644040)
8	13155JM	+ Floor Brush Nozzle & Brush (Use w/ 13077JM)
	13077JM	+ Floor Brush
	43414073	Floor Brush - (Standard Fit)
	43414135	Floor Brush - AAP (Friction Fit)
10	43414057	Furniture Nozzle - (Standard Fit)
	38614029	Furniture Nozzle - AG - (Friction Fit)
11	38617017	Crevice Tool - AG - (Standard Fit)
	38617024	Crevice Tool
12	43453027	Extension Tube (Standard Fit)
13	12845JM	Gasket
14	43466040	Ext. Tube - Curved (Short) (Std. Fit)
15	34207AG	Handle Control Foot Pad
16	33126001	+ Latch - AW
17	38311006	+ Spring
18	161549	+ Washer
19	34121001	Pad - Felt
20	43482097	Converter Body Assem.
21	34253003	+ Seal - End
22	38452026	+ Latch Lever
23	34113005	+ Seal - Side
24	43482097	Converter Body Assem. Conversion - (Standard & Friction Fit)
25	58544004	+ Cleaning Tool Bag
26	32288007	Hose Connector (Use w/Continuous Convolution Hose) - (Standard Fit)
	32288003	Hose Connector - JM (Use w/Circular Ribbed Hose) - (Standard Fit)
	32288004	Hose Connector - AAP (Use /Circular Ribbed Hose) - (Std. & Friction Fit)
27	43434203 38671001	Hose Complete - AAP Hose Less Ends - JM (Circular Ribbed) - (Std. Fit Ends)
	38671028	+ Hose Less Ends - AAP (Circular Ribbed) - (Std. Fit Ends)
	38671030	+ Hose Less Ends (Circular Ribbed) - (Friction Fit Ends)
28	32156010	Hose Sleeve - (Standard Fit Hose)
29	36116006	Hose Connector Collar (Use w/ Continuous Convolution Hose) (Standard Fit Hose)
	36171025	Hose Connector Collar (Use w/Circular Ribbed Hose) - (Standard Fit Hose)

Convertible

Ref. No.	Part No.	Description
30	43466044	Hose Connector Curved w/Rings-AAP (Use w/Continuous Convolution Hose) (Std. Fit)
	43466055	+ Hose Connector Curved w/Latch Ring- JM (w/o Suction Regulator) (Use w/ Circular Ribbed Hose) - (Standard Fit)
	43466058	Hose Connector Curved w/Latch Ring AAP (w/o Suction Regulator) - Use w/Circular Ribbed Hose - (Std. Fit)
	39454059	Hose Connector - AAP -
31	38711006	Suction Control Ring - (Standard)
32	51869006	Hose Connector Label - (Standard)
33	36153009	Latch Ring - MV - (Standard)
34	43434203	Hose Comp. - Front Conversion (Continuous Convolution) (w/o Suction Regulator) - (Standard Fit)
	43434209	Hose Comp. - Front Conversion - JM (Circular Ribbed) (w/o Suction Regulator) - (Standard Fit)
	43434210	Hose Comp. - Front Conversion - AAP (Circular Ribbed w/o Suction Regulator) (Standard Fit)
	43434225	+ Hose Comp. - AAP - (Friction Fit)
35	12846AG	Tube Latch
36	12772	+* Rivet
37	12783	+* Rivet
38	12763AW	* Rivet
39	12824	+ Reinforcement Plate
40	12600	Rivet
41	21312704	* Washer
42	36152018	Tube Latch - Outer
43	12597	Extension Tube - Outer
44	12589	Extension Tube Guide
45	12844JM	+ Gasket - Inner
46	12598	+ Extension Tube - Inner
47	43458001	Extension Tube - (Standard Fit)
48	3863801P 38634078	Extension Tube - Poly - AG Extension Tube (Polystyrene) - AAP - (Friction Fit)

Standard Fit Tools ... w/Retention Pin
Friction Fit Tools ... w/o Retention Pin



Cleaning Tools

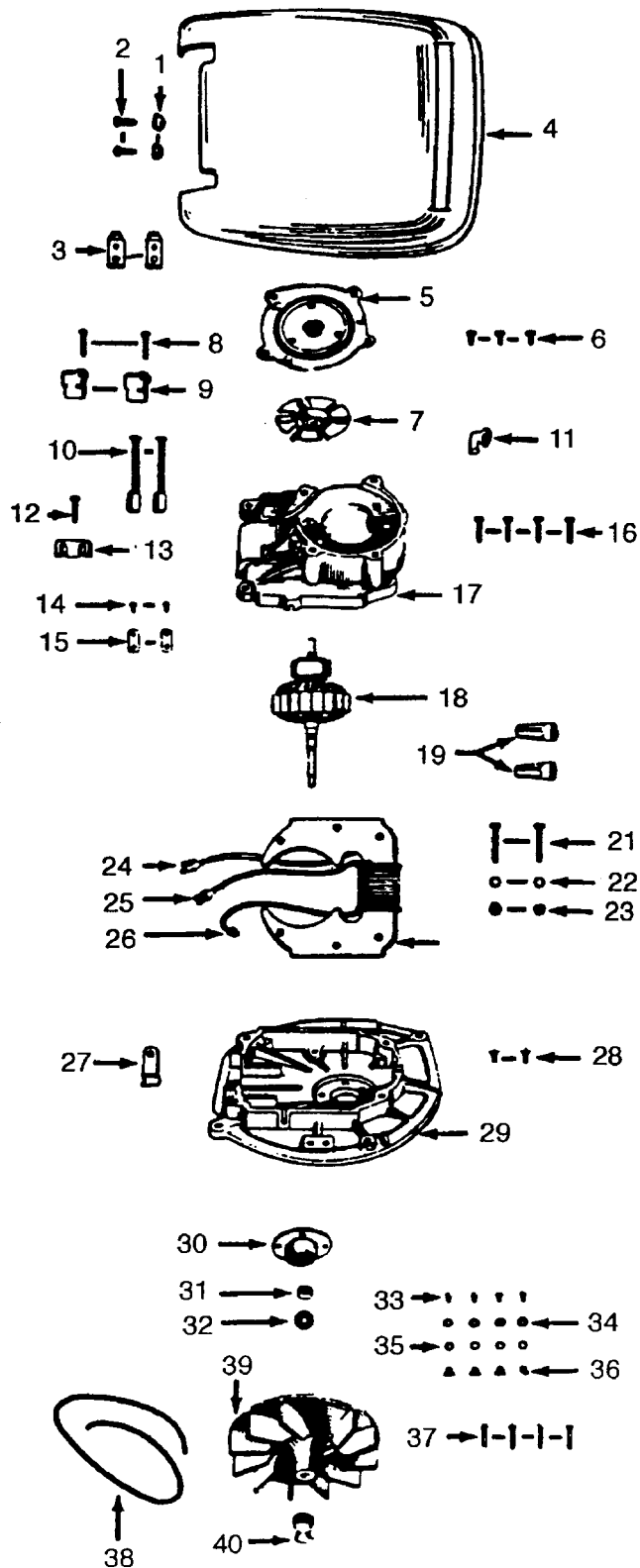
Ref. No.	Part No.	Description
48	13147JM	+ Converter (Std. - Rear Conversion)
49	12615BZ	Hose Converter Collar
50	43466044	Hose Grip - AAP - SC
51	12704BZ	Hose Grip Collar
52	23473JM	+ Converter (Except 63, 64) (Use w/ Hose 48617)
53	23393JM	Hose Grip
54	12864JM	+ Hose Comp. - Ultraflex (Equipped w/Converter 23473)
55	13143	Hose Tube Curved
56	43452503	Converter - 1330, 1348, 1348-002
57	17959A	+ Hose Connector Tube - 1330 (Metal)
	641398LL	+ Hose Connector Tube - 1348, 1348-002 (Plastic)
58	19633JM	+ Hose Comp. - Ultraflex - 1330, 1340, 1348, 1348-002
59	22671JM	+ Hose Comp. - Ultraflex (Commercial) Use w/Converter 34202 or 35190)
	23007A	+ Hose Comp. - Ultraflex (Use w/Converter 35447)

Convertible

Ref. No.	Part No.	Description
60	34083	+ Hose End - 14, 63, 64
	34355	+ Hose End Short (Commercial)
61	34984A	+ Blower (Use w/Hose 22671)
62	35447	+ Converter - Special - 63, 64
63	35190	Converter (Use w/Hose 22671)
64	34202JM	+ Converter (Use w/Hose 22671)
65	48617JM	+ Hose Less Ends
66	43434213	Hose Less Ends
67	12864JM	+ Hose Assem. Comp. - Tufflex (Std. Rear Conversion)

ITEMS NOT ILLUSTRATED

161728	+ Turbine Roto - Power Brush
169460JM	+ Ultraflex Hose - 50' length
43431011	+ Tufflex Hose - 50' length



Ref. No.	Part No.	Description
1	16125AY	+ Capsert
2	16903	Screw
3	48620	+ Hood Attachment Plate
4	162722JM	Motor Hood - 31-36, 584
5	42934002	Motor Bearing Top
6	45533 AY	* Screw
7	38755004	Ventilating Fan
8	46930AZ	+* Screw
9	36315003	Motor Brush Holder Insulator
10	47318012	Motor Brush
11	48660	+ Lead Wire Clip
12	46930AZ	+* Screw
13	34035	+ Terminal Box
14	23369002	+* Screw
15	47275	+* Retainer
16	161535	Screw
17	19857	+ Motor Case - Top
18	44765085	Armature
19	48969	Wire Nut
20	45412014	+ Field Coil
21	45118	* Bolt
22	14062	* Lock Washer
23	15673	* Nut
24	14197	+ Terminal
25	160356	* Terminal
26	19249	+* Eyelet
27	34312011	* Lead wire Clip
28	44706	+ Terminal Screws
29	42192010	Motor Case - Lower Half w/Sealant
30	19829	Motor Bearing - Lower
31	163059	+ Fan Spacer
32	169241AW	* Fan Washer
33	21772501	* Screw
34	19772	* Washer
35	14062	* Lock Washer
36	45251	Nut
37	45355	+ Screw
38	47232	Gasket
39	38755011	Fan
40	38532009	Motor Pulley
	43574140	Motor Comp.

ITEMS NOT ILLUSTRATED

68564063	Sealant (3 oz. tube, use in conjunction with 42192010)
40300014	Armature Spacer/Split Sleeve Kit (For use with Lower Mtr. Brgs. with 4 Attachment Holes)