

Ref. No.	Part No.	Description
1	49180	Thread Guard & Spring (Metal)
	36423003	+ Thread Guard L.H. (Molded)
2	43267002	Bearing
3	21347003	* Thrust Washer
4	22554	Agitator End (Early Model Standard Performance Cleaners, L.H. Helix)
	160542	Agitator End (Standard & High Performance Cleaners, R.H. Helix)
	41435070	Agitator End (Use w/two brush agitator Pt. #48414021)
5	12998BZ	Agitator Brush - 8 mil (Early Model Standard Performance Cleaners, L.H. Helix)
	160646BZ	Agitator Brush - 8 mil (Standard Performance Cleaners, R.H. Helix)
	48445001	Agitator Brush - 11 mil (High Performance Cleaners, R.H. Helix)
6	12981	+ Agitator Shaft (Used w/metal thread guards)
	32724008	Agitator Shaft (Used w/molded thread guards)
7	12985AY	Thread Guard R.H. (Metal)
	36423007	+ Thread Guard R.H. (Molded)

AGITATOR BELT

Ref. No.	Part No.	Description
	49258AG	Domestic models, Convertible/Decade 80/Heavy Duty Commercials
	44783AG	Lightweight Commercials

AGITATOR ASSEMBLY

	169371MF	+ Standard Performance, R.H. Helix (Metal Thread Guards)
	41435005	High Performance Cleaners, R.H. Helix (Metal Thread Guards w/Spring)
	48414006	+ High Performance Cleaners, R.H. Helix (Metal Thread Guards)
	48414007	+ Standard Performance, R.H. Helix (Molded Thread Guards)

FOUR BRUSH AGITATOR ASSEMBLY

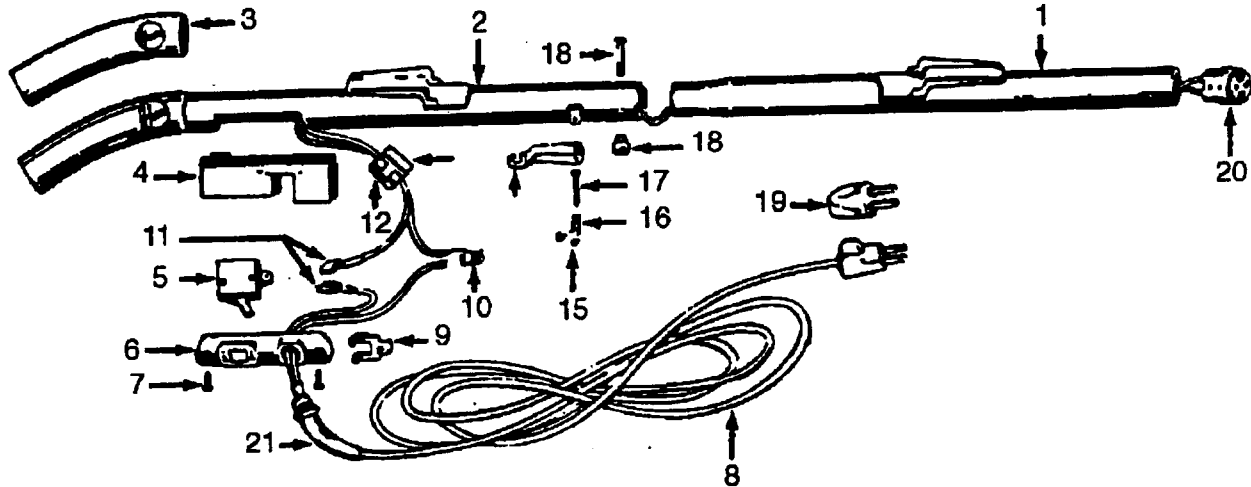
	48414002	+ Heavy Duty Commercial (Use 47159 Brush-Long, 47160 Brush-Short & 46875 Sems Fastener)
	48414003	Lightweight Commercial (Use 160646BZ Brush & 36422003 Agitator End)

TWO BRUSH W/O BEATER BAR

	48414021	Agitator (Molded Thread Guards)
--	----------	---------------------------------

Handle

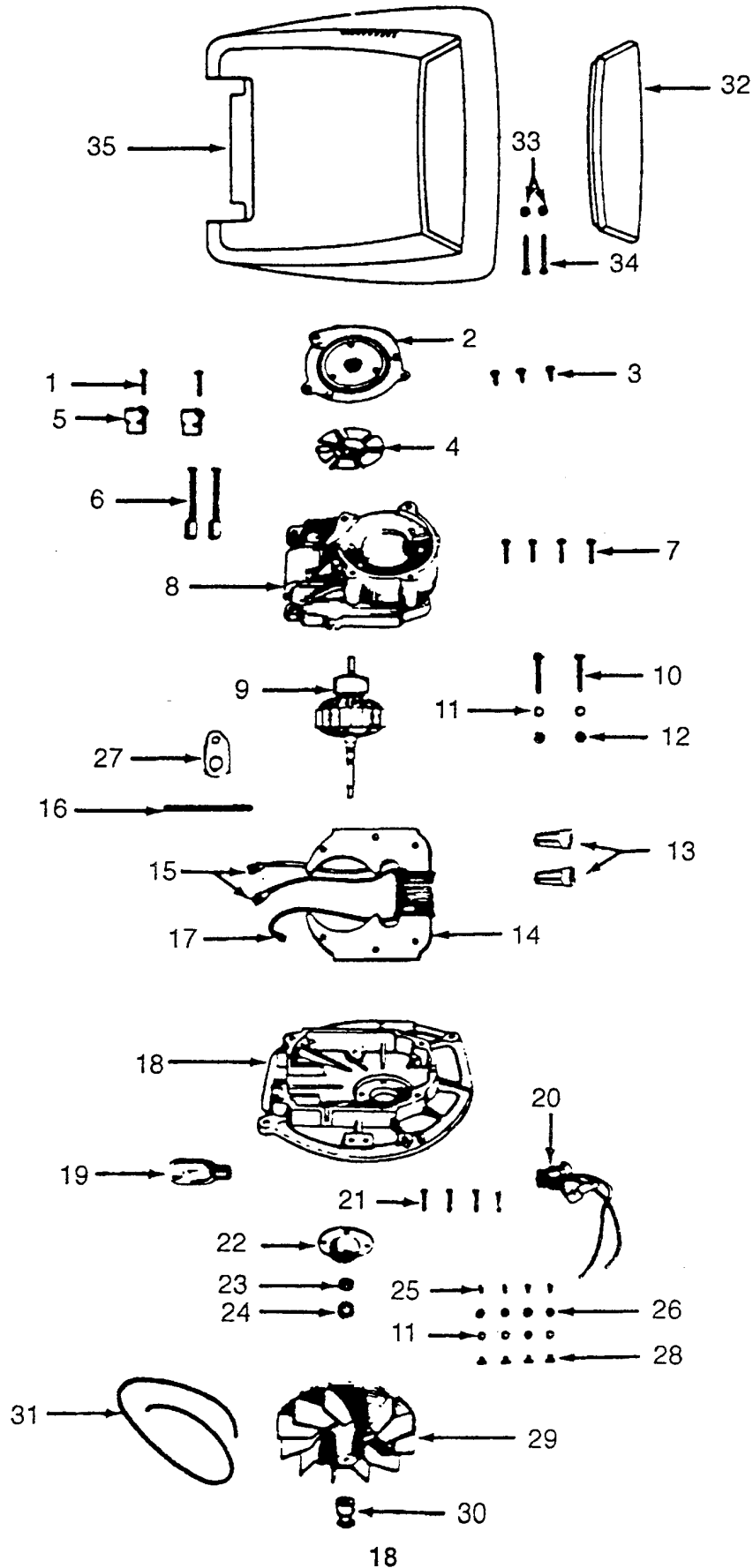
**Models 589, 593, 706, 707, 719, 728, 1020, 1030, 1070, 1076
U4001, U4003, U4003-001, U4003-002, U4005, U4007, U4009
U4014-079, U4017, U4019, U4021, U4027, U4027-001, U4031
U4033, U4035, U4047, U4053, U4069, U4075, U4077, U4085
U4087, U4089, U4091, U4093, U4093-001**



Ref. No.	Part No.	Description	Ref. No.	Part No.	Description
	48655208	Handle Comp. - 589, 593, 706, 707, 1020, 1030, 1070, 1076, U4001, U4005, U4009, U4021, U4031, U4047, U4053, U4069, U4075, U4077, U4085, U4087, U4089, U4091, U4093, U4093-001	8	46363195	Cord
	19984VN	+ Handle Comp.		46383117	+ Attachment Cord - U4014-079
	48655001	+ Handle Comp. - U4017, U4035	9	36171043	+* Cord Retainer
	48655016	+ Handle Complete - U4033	10	48969	Wire Nut (Not Applicable - U4014-079)
	48655068	+ Handle Comp.	11	160356	Terminal (Not Applicable - U4014-079)
	48655069	+ Handle Comp. - 719, 728, U4003, U4003-001, U4003-002, U4007, U4019, U4027, U4027-001	12	12260	+ Strain Relief Body (Not Applicable - U4014-079)
1	48631140	+ Handle - Lower Half	13	12261	+ Strain Relief Lock (Not Applicable - U4014-079)
	48631521	+ Handle - Lower Half - U4014-079 (Incl. Handle Retainer Plate #34727502 & Screw #32227501)	14	35234AW	+ Jacket Support - 1070
2	48655208	Handle Assem. - Upper Half - 719, 728, U4003, U4003-001, U4003-002, U4007, U4019, U4027, U4027-001, U4031, U4085	15	48123AV	+* Retaining Ring - 1070
	49582JM	+ Handle - Upper Half - 1070, 1076	16	35205	+ Jacket Support Spring - 1070
	48647520	Handle - Upper Half - U4014-079	17	48882	+ Jacket Support Pin - 1070
3	23458JM	Handle Grip	18	48294AW	Handle Clamp Bolt & Nut
4	12272	+ Switch Insulator & Bushing (Not Applicable - U4014-079)		33464501	Handle Clamp Bolt - U4014-079
5	12971	Switch (Not Applicable U4014-079)	19	35380	Plug
6	12973AW	Switch Cover Plate w/o Hook	20	34484JM	+ Handle Receptacle Assem. (Not Applicable - U4014-079)
	23138AW	Switch Cover Plate w/Hook (Not Applicable - U4014-079)	21	31969AG	Cord Protector
7	21465314	+ Screw (Not Applicable - U4014-079)		36215503	+ Cord Protector - U4014-079 (Handle/Cord Retainer Clamp)
ITEMS NOT ILLUSTRATED					
				13704	Lock Washer (Used w/48294AW It. 18)
				36172506	+ Cord Retaining Clamp - U4014-079 (Handle/Cord Protector)

Motor

Models 589, 593, 719, 728, 1010, 1020, 1030, 1060, 1070, 1076, U4001, U4017, U4019, U4021, U4031, U4033, U4035, U4047, U4053, U4069, U4075, U4077, U4087, U4089, U4091, U4093, U4093-001



Motor

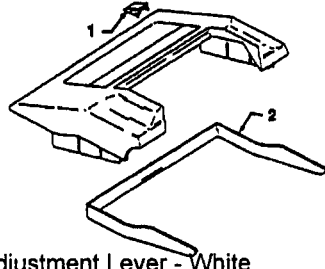
Model 589, 593, 719, 728, 1010, 1020, 1030, 1060, 1070, 1076, U4001, U4017, U4019, U4021, U4031, U4033, U4035, U4047, U4053, U4069, U4075, U4077, U4087, U4089, U4091, U4093, U4093-001

No.	No.		Ref. No.	Part No.	Description
1	46930AZ	+* Screw			
2	42934002	Motor Bearing - Top			
3	45533AY	+* Screw	34	47195	+ Screws
4	38755004	Ventilating Fan	35	161649JM	Motor Hood - 1060, 1070, 1076
5	36315003	Motor Brush Holder Insulator		161872CL	+ Motor Hood - 728
6	47318012	Motor Brush		42251324	Motor Hood - U4035
7	161535	* Screw		161879CK	+ Motor Hood - 593
8	19857	+ Motor Case		162182GX	+ Motor Hood - U4019
9	44765085	Armature		162719JM	Motor Hood - 1010, 1020, 1030, U4021, U4031, U4077
10	45118	* Bolt		167364JM	+ Motor Hood - 589, 719, U4001, U4017, U4047, U4053, U4069, U4089
11	14062	* Lock Washer			
12	15673	* Nut			
13	48969	* Wire Nut		42251012	Motor Hood - CD - U4091, U4093, U4093-001
14	45412014	+ Field - Two Speed		42251004	+ Motor Hood - JE - U4087
	45412015	Field - Single Speed - U4001, U4077, U4089		42251006	+ Motor Hood - EW - U4075
15	14197	+* Terminal		42251151	+ Motor Hood - U4033
16	27479307	Lead Wire Tie			
17	14320	* Terminal			
18	42193006	Motor Casing - Lower Half w/Sealant			
19	27317307	Lamp - 15 Watt			
20	17016	Lamp Socket		43574133	Motor Comp. - U4001, U4077, U4089
21	45355	+ Screw		43574140	Motor Comp.
22	19829	Motor Bearing - Lower		43574045	+ Motor Comp. - U4075, U4093, U4093-001
23	163059	+ Fan Spacer		164684	+ Insulation Shield
24	169241AW	* Washer		68564063	Sealant (3 oz. tube) Seal for Motor Casing (Lower Half)
25	21772501	* Screw			
26	19772	* Washer		31162004	* Washer - Heat Insulation (Use in conjunction w/Item 29 #3875501 0)
27	45517	* Lead Wire Holder			
28	45251	Nut		40300014	Armature Spacer/Split Sleeve Kit (For use with Lower Mtr. Brgs. with 4 Attachment H
29	38755011	Fan - Polycarbonate (Black)			
30	38532009	Motor Pulley			
31	47232	Gasket (Use w/Item 18 - 11062)			
32	162954CA	Lens - 1060, 1070, 1076, U4019, U4033			
	22631CA	+ Lens - 719, 728			
33	16125AY	+ Capserts			

ITEMS NOT ILLUSTRATED

Hoods

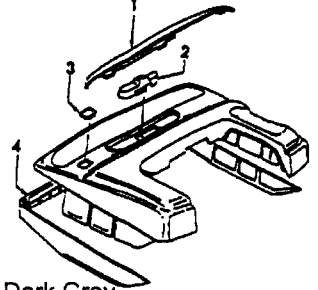
Concept Hoods



Hood Assembly 37253239+ Black

1. 38421027 Nozzle Adjustment Lever - White
38421037 Nozzle Adjustment Lever - Blue
2. 36235082 Furniture Guard - Midnight Gray

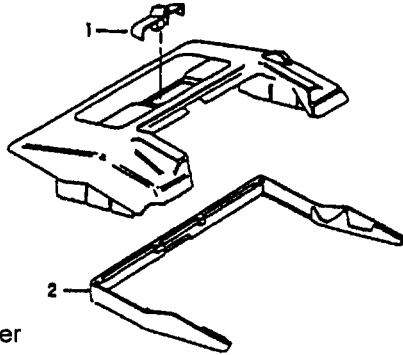
Power Drive Hoods



Hood Assembly 42252362 Deep San 42252365 Blue 42252A05 Black 42252368 Teal Green Med.

1. 39383092 Lens
2. 38421086 Nozzle Lever - Dark Gray
3. 37246005 Panel - Dark Gray
39382008 Belt indicator Lens
4. 36235087 Furniture Guard - Dark Gray

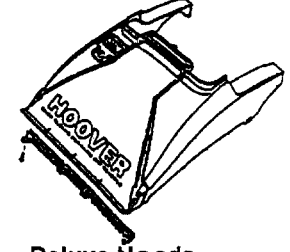
PowerMAX Hoods



Hood Assembly 42252311 Crimson 42252313 Black

1. Nozzle Adjustment Lever
38421083 Black
2. Furniture Guard
36235082 Gray

SteamVac Hoods

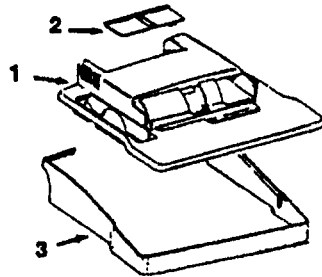


- ### Hood Assembly w/o Door
- 37271029 Coral
- ### Hood Assembly with Door
- 37271030 Blue
 - 37271031 Deep Sand
 - 37271033 Mist White
 - 48443005 Brush Back Assm.

- ### Deluxe Hoods
- 37271035 Forest Green
 - 37271036 Deep Wine
 - 37271037 Ultra Deep Blue
 - 48447002 Brush Back - Dual

Innovation Hoods

1. 37253632 Soft Bag Models
37253633 Hard Bag Models
2. 37246522 Lens Shield - Both
3. 36235547 Furniture Guard - Both



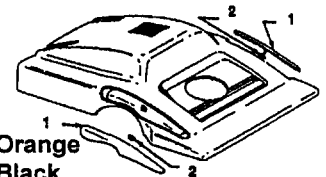
- ### Hoods - Automatic Tool Conversion w/o Rotating Brushes
- 37271045 Teal Deep
 - 37271046 Deep Wine

- ### Hoods - Automatic Tool Conversion w/Rotating Brushes
- 37271055 - Dlx. - Forest Green
 - 37271052 - Dlx. - Deep Wine
 - 37271049 - Ultra - Deep Wine
 - 37271043 - Ultra - Forest Green
 - 37271048 - Ultra - Ultra Deep Blue

- ### Hoods - Steam Vac WidePath
- 37271062 - Black

- ### Hoods - Steam Vac - Max Extract
- 37271070 - Titanium Gold Metallic

Conquest Hoods

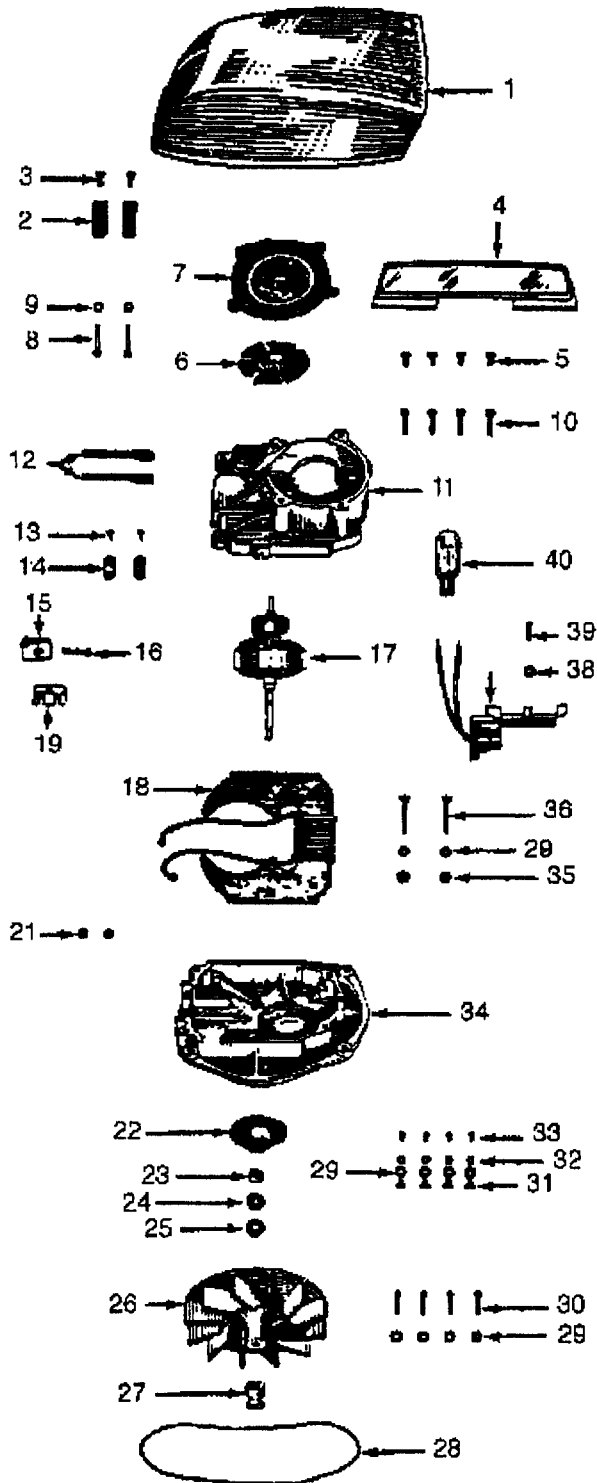


- 37252016 Hood Assembly - 14" - Orange
- 37252024 Hood Assembly - 14" - Black
- 37252010 Hood Assembly - 18" - Orange
- 37252031 Hood Assembly - 18" - Black
- 42251329 Hood Assm. Doublewide (not shown) Orange
- 42251337 Hood Assm. Doublewide (not shown) Black

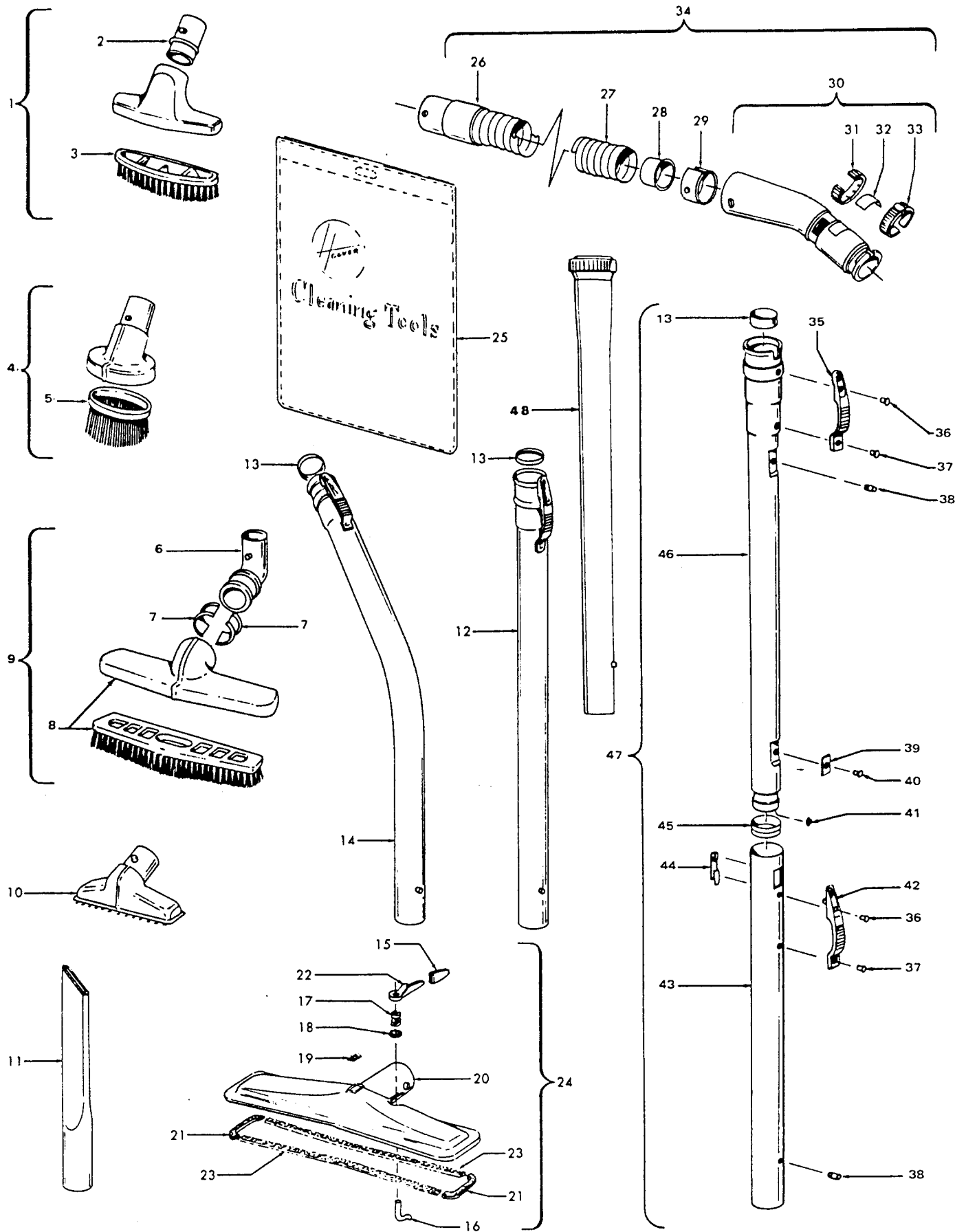
1. 36222014 Wear Strip - L.H. - Black
36222021 Wear Strip - R.H. - Black
2. 21364102 Speed Nut

Motor & Fan

Models 29, 62, 63, 64, 634



Ref. No.	Part No.	Description
1	22984JM	Motor Hood
2	46932	+ Hood Attach Plate
3	12596	* Screw
4	22471CA	+ Dirt Finder Lens
5	44099	+ Screw
6	38755004	Ventilating Fan
7	42934002	Upper Bearing
8	47195	+ Screw
9	14062	* Washer
10	161535	* Screw
11	19857	+ Motor Casing - Upper
12	47318012	Carbon Brush & Spring
13	23369002	+* Screw
14	47275	+* Carbon Brush Retainer
15	36315003	Carbon Brush Insulator
16	46930AZ	+* Screw
17	21653	Armature
18	45412015	Field Coil
19	34035	+ Terminal Box
21	19249	+* Eyelet
22	19829	Motor Bearing - Lower
23	162233	+ Fan Spacer
24	169241AW	* Fan Spacing Washer
25	169241AW	* Fan Spacing Washer
26	21644	Fan
27	33964	+ Fan Pulley
28	45452	Motor Gasket
29	14062	* Washer
30	45355	+ Motor Attaching Screw
31	45251	Nut
32	19772	* Washer
33	21772501	* Lower Bearing Screw
34	10504	Lower Casing
35	15673	* Nut
36	45118	* Field Iron Bolt
37	46942	+ Dirt Finder Socket
38	19772	* Washer
39	17206	* Screw
40	42241	Dirt Finder Lamp - 25 Watt



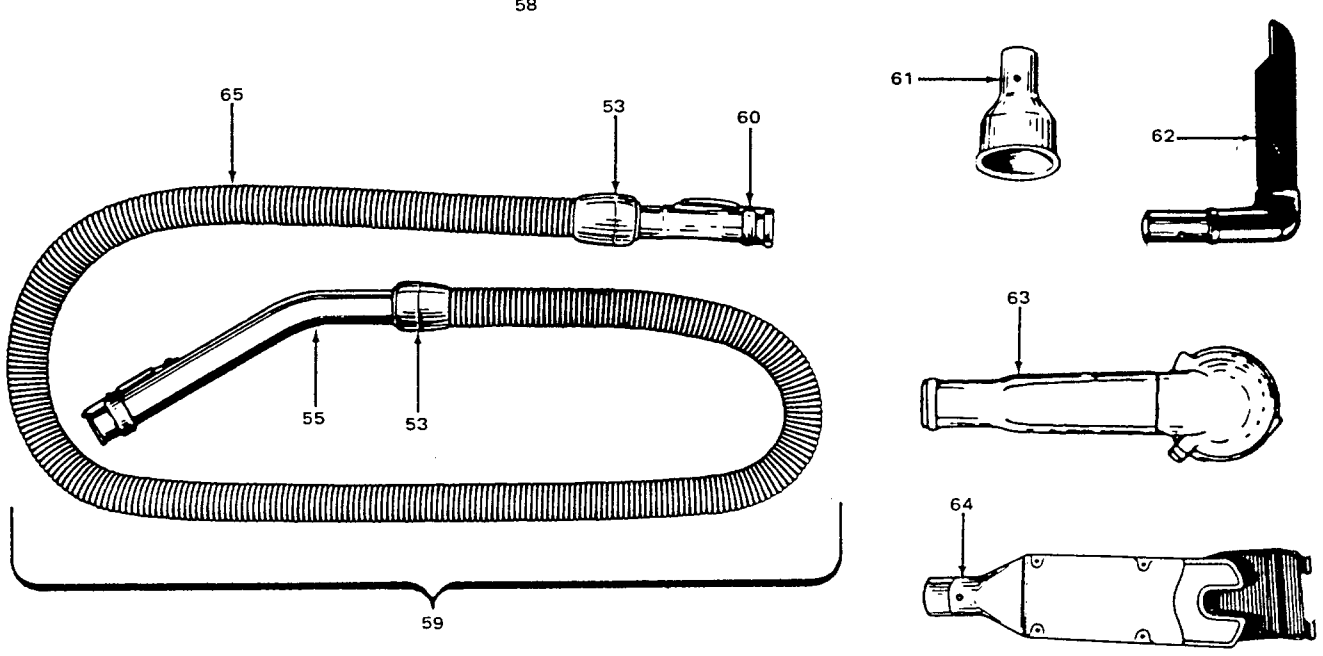
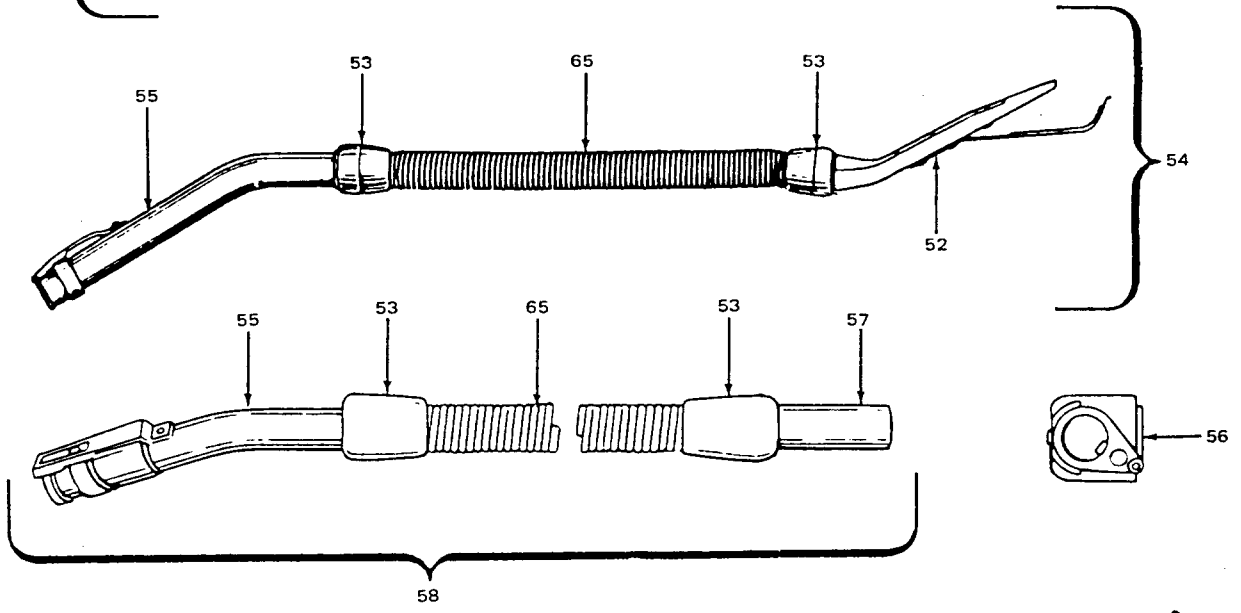
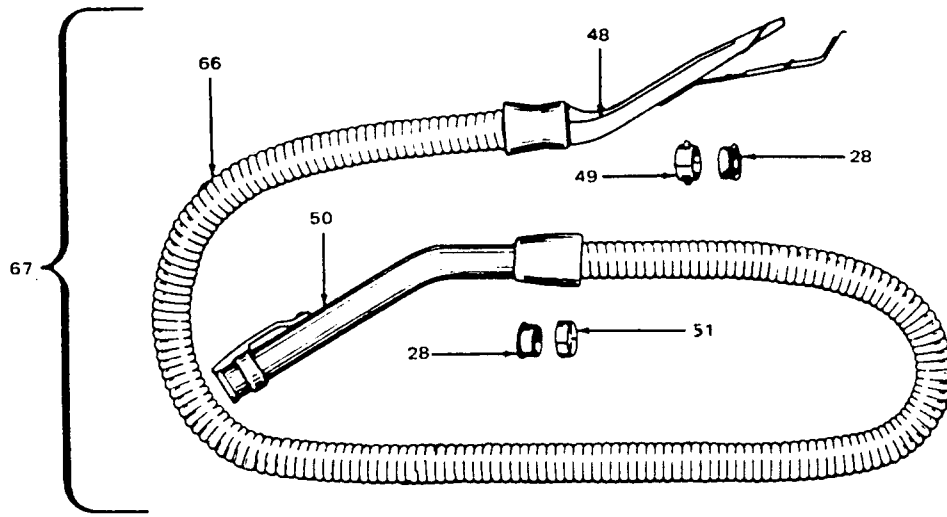
Cleaning Tools

Ref. No.	Part No.	Description
1	161852JM 43414016	+ Furniture Brush Furniture Brush - AG
2	13149JM	Nozzle Connector Tube (Use w/ 161852JM)
3	13254BZ	+ Furniture Brush Back (Use w/161852JM)
4	161851JM 43414064 43414145	+ Dusting Brush Comp. Dusting Brush (One Piece) (Std Fit) Dusting Brush - Friction
	13263BZ	+ Brush (Use w/ 61851 JM)
6	13154JM	+ Floor Brush Swivel & Collar (Use w/13077JM)
	38644040	Swivel Connector (Use w/43414073)
7	13276	Floor Brush Swivel Bushing (Use w/13154JM)
	33712007	Split Ring (Use w/38644040)
8	13155JM	+ Floor Brush Nozzle & Brush (Use w/ 13077JM)
	13077JM	+ Floor Brush
	43414073	Floor Brush - (Standard Fit)
	43414135	Floor Brush - AAP (Friction Fit)
10	43414057	Furniture Nozzle - (Standard Fit)
	38614029	Furniture Nozzle - AG - (Friction Fit)
11	38617017	Crevice Tool - AG - (Standard Fit)
	38617024	Crevice Tool
12	43453027	Extension Tube (Standard Fit)
13	12845JM	Gasket
14	43466040	Ext. Tube - Curved (Short) (Std. Fit)
15	34207AG	Handle Control Foot Pad
16	33126001	+ Latch - AW
17	38311006	+ Spring
18	161549	+ Washer
19	34121001	Pad - Felt
20	43482097	Converter Body Assem.
21	34253003	+ Seal - End
22	38452026	+ Latch Lever
23	34113005	+ Seal - Side
24	43482097	Converter Body Assem. Conversion - (Standard & Friction Fit)
25	58544004	+ Cleaning Tool Bag
26	32288007	Hose Connector (Use w/Continuous Convolution Hose) - (Standard Fit)
	32288003	Hose Connector - JM (Use w/Circular Ribbed Hose) - (Standard Fit)
	32288004	Hose Connector - AAP (Use /Circular Ribbed Hose) - (Std. & Friction Fit)
27	43434203 38671001	Hose Complete - AAP Hose Less Ends - JM (Circular Ribbed) - (Std. Fit Ends)
	38671028	+ Hose Less Ends - AAP (Circular Ribbed) - (Std. Fit Ends)
	38671030	+ Hose Less Ends (Circular Ribbed) - (Friction Fit Ends)
28	32156010	Hose Sleeve - (Standard Fit Hose)
29	36116006	Hose Connector Collar (Use w/ Continuous Convolution Hose) (Standard Fit Hose)
	36171025	Hose Connector Collar (Use w/Circular Ribbed Hose) - (Standard Fit Hose)

Convertible

Ref. No.	Part No.	Description
30	43466044	Hose Connector Curved w/Rings-AAP (Use w/Continuous Convolution Hose) (Std. Fit)
	43466055	+ Hose Connector Curved w/Latch Ring- JM (w/o Suction Regulator) (Use w/ Circular Ribbed Hose) - (Standard Fit)
	43466058	Hose Connector Curved w/Latch Ring AAP (w/o Suction Regulator) - Use w/Circular Ribbed Hose - (Std. Fit)
	39454059	Hose Connector - AAP -
31	38711006	Suction Control Ring - (Standard)
32	51869006	Hose Connector Label - (Standard)
33	36153009	Latch Ring - MV - (Standard)
34	43434203	Hose Comp. - Front Conversion (Continuous Convolution) (w/o Suction Regulator) - (Standard Fit)
	43434209	Hose Comp. - Front Conversion - JM (Circular Ribbed) (w/o Suction Regulator) - (Standard Fit)
	43434210	Hose Comp. - Front Conversion - AAP (Circular Ribbed w/o Suction Regulator) (Standard Fit)
	43434225	+ Hose Comp. - AAP - (Friction Fit)
35	12846AG	Tube Latch
36	12772	+* Rivet
37	12783	+* Rivet
38	12763AW	* Rivet
39	12824	+ Reinforcement Plate
40	12600	Rivet
41	21312704	* Washer
42	36152018	Tube Latch - Outer
43	12597	Extension Tube - Outer
44	12589	Extension Tube Guide
45	12844JM	+ Gasket - Inner
46	12598	+ Extension Tube - Inner
47	43458001	Extension Tube - (Standard Fit)
48	3863801P 38634078	Extension Tube - Poly - AG Extension Tube (Polystyrene) - AAP - (Friction Fit)

Standard Fit Tools ... w/Retention Pin
Friction Fit Tools ... w/o Retention Pin



Cleaning Tools

Ref. No.	Part No.	Description
48	13147JM	+ Converter (Std. - Rear Conversion)
49	12615BZ	Hose Converter Collar
50	43466044	Hose Grip - AAP - SC
51	12704BZ	Hose Grip Collar
52	23473JM	+ Converter (Except 63, 64) (Use w/ Hose 48617)
53	23393JM	Hose Grip
54	12864JM	+ Hose Comp. - Ultraflex (Equipped w/Converter 23473)
55	13143	Hose Tube Curved
56	43452503	Converter - 1330, 1348, 1348-002
57	17959A	+ Hose Connector Tube - 1330 (Metal)
	641398LL	+ Hose Connector Tube - 1348, 1348-002 (Plastic)
58	19633JM	+ Hose Comp. - Ultraflex - 1330, 1340, 1348, 1348-002
59	22671JM	+ Hose Comp. - Ultraflex (Commercial) Use w/Converter 34202 or 35190)
	23007A	+ Hose Comp. - Ultraflex (Use w/Converter 35447)

Convertible

Ref. No.	Part No.	Description
60	34083	+ Hose End - 14, 63, 64
	34355	+ Hose End Short (Commercial)
61	34984A	+ Blower (Use w/Hose 22671)
62	35447	+ Converter - Special - 63, 64
63	35190	Converter (Use w/Hose 22671)
64	34202JM	+ Converter (Use w/Hose 22671)
65	48617JM	+ Hose Less Ends
66	43434213	Hose Less Ends
67	12864JM	+ Hose Assem. Comp. - Tufflex (Std. Rear Conversion)

ITEMS NOT ILLUSTRATED

161728	+ Turbine Roto - Power Brush
169460JM	+ Ultraflex Hose - 50' length
43431011	+ Tufflex Hose - 50' length