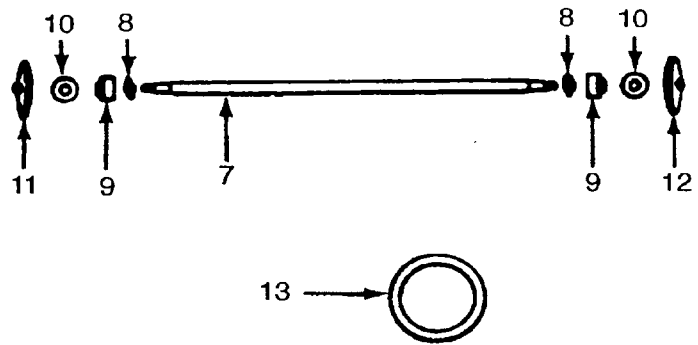
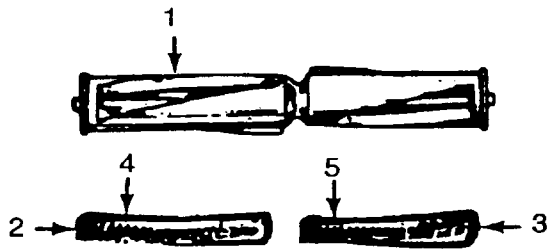


Ref. No.	Part No.	Description
	11526JM	+ Outer Bag Comp.
1	42990	Spring
2	48316JM	+ Outer Bag
3	4010003C	Throw Away Bag
4	43362	+ Bag Support Assem.
5	22738	+ Bag Incl. Ring & Clip
6	22030	+ Outer Bag - Cloth
7	46550AG	Bag Retainer Ring
8	161889	Bag Support Tube
9	11610JM	Bellow
10	22987	+ Bag Ring
11	45376	+ Bellow Retainer Ring
12	21765159	Screw
13	45404	+ Bag Ring - Comm. Service
14	15854EF	Nut
15	42989AY	+ Bag Spring Snap

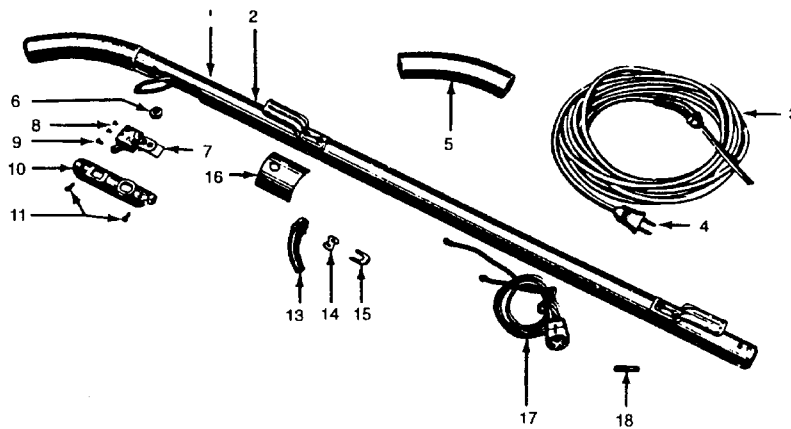
Agitator & Handle

Models 29, 62, 63, 64, 634



Ref. No.	Part No.	Description
1	46849	+ Agitator - Less Brushes
2	86679	+ Agitator Brush - Long
3	86680	Agitator Brush - Short
4	47159	Agitator Brush - Long - Nylon
5	47160	Agitator Brush - Short - Nylon
6	46875	* Screw
7	45141	+ Agitator Shaft
8	21347003	* Thrust Washer
9	12978	Agitator Bearing

Ref. No.	Part No.	Description
10	13010	* Felt Washer
11	45135AY	Thread Guard - L.H.
12	45134AY	Thread Guard - R.H.
13	49258AG	Belt
	33451	+ Agitator Brush - Long - Horse Hair 62, 63, 64
	33452	+ Agitator Brush - Short - Horse Hair 62, 63, 64

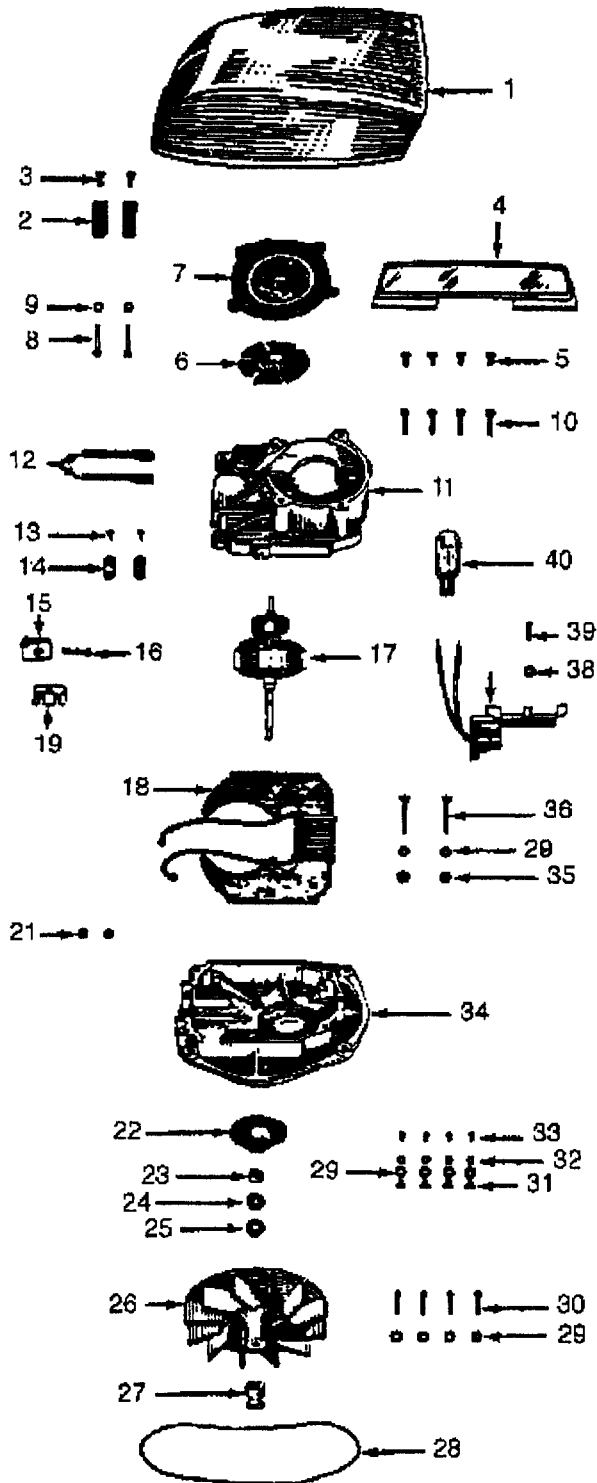


Ref. No.	Part No.	Description
1	22985JM	+ Handle Comp.
2	48259JM	+ Handle Shell
3	46363195	Cord
4	35380	Plug
5	12230JM	+ Handle Grip
6	13008	Switch Pad
7	12971	Switch
8	161994	+* Screw - Small

Ref. No.	Part No.	Description
9	23369002	Screw - Long
10	23138AW	Switch Cover Plate
11	21465314	Screw
13	31969AG	Cord Protector
14	18676	Cord Retainer Lock
15	36171043	Cord Protector Retainer
16	12272	+ Insulator Sleeve
17	31657HE	+ Plug & Lead Wire
18	37088	Pin

Motor & Fan

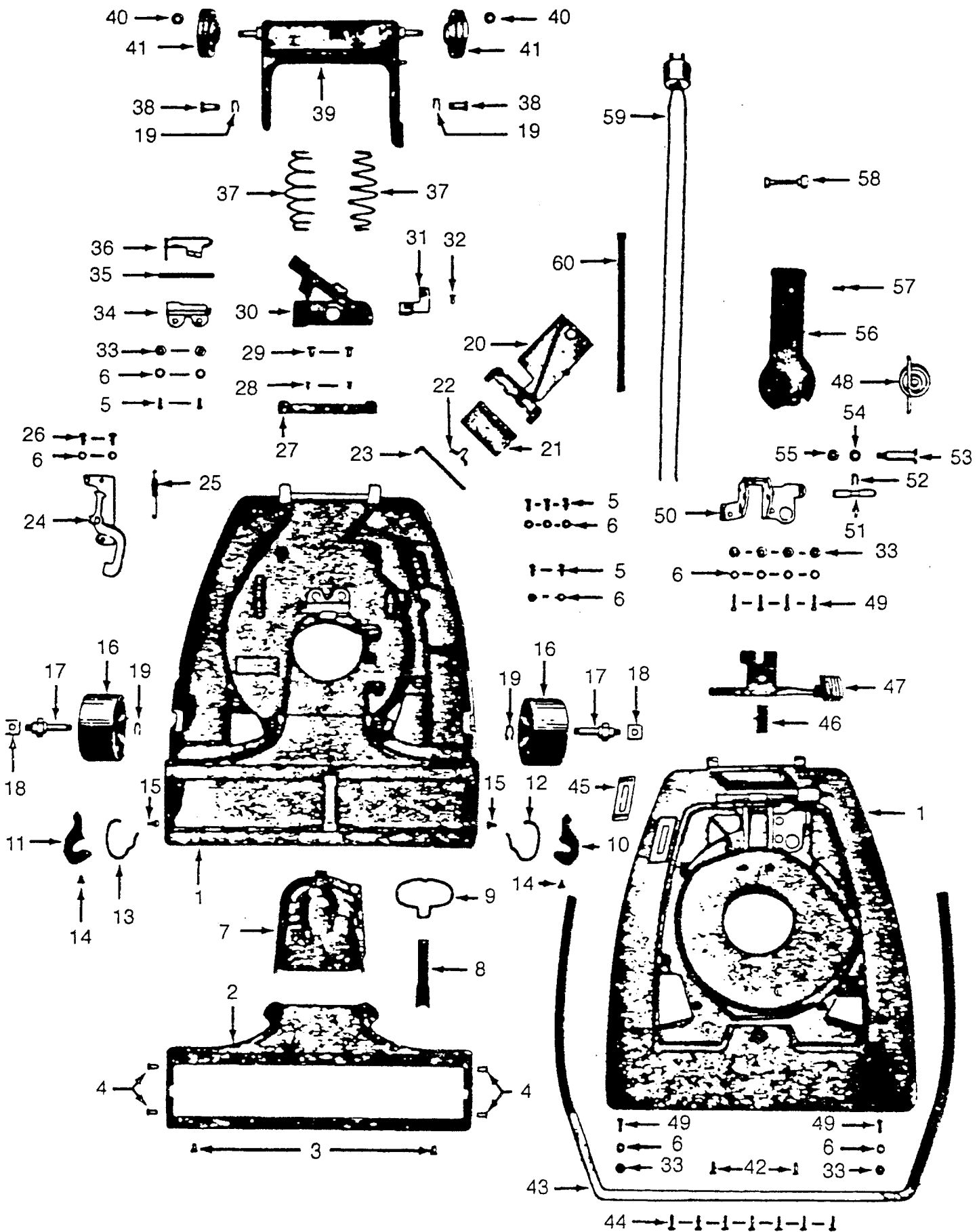
Models 29, 62, 63, 64, 634



Ref. No.	Part No.	Description
1	22984JM	Motor Hood
2	46932	+ Hood Attach Plate
3	12596	* Screw
4	22471CA	+ Dirt Finder Lens
5	44099	+ Screw
6	38755004	Ventilating Fan
7	42934002	Upper Bearing
8	47195	+ Screw
9	14062	* Washer
10	161535	* Screw
11	19857	+ Motor Casing - Upper
12	47318012	Carbon Brush & Spring
13	23369002	+* Screw
14	47275	+* Carbon Brush Retainer
15	36315003	Carbon Brush Insulator
16	46930AZ	+* Screw
17	21653	Armature
18	45412015	Field Coil
19	34035	+ Terminal Box
21	19249	+* Eyelet
22	19829	Motor Bearing - Lower
23	162233	+ Fan Spacer
24	169241AW	* Fan Spacing Washer
25	169241AW	* Fan Spacing Washer
26	21644	Fan
27	33964	+ Fan Pulley
28	45452	Motor Gasket
29	14062	* Washer
30	45355	+ Motor Attaching Screw
31	45251	Nut
32	19772	* Washer
33	21772501	* Lower Bearing Screw
34	10504	Lower Casing
35	15673	* Nut
36	45118	* Field Iron Bolt
37	46942	+ Dirt Finder Socket
38	19772	* Washer
39	17206	* Screw
40	42241	Dirt Finder Lamp - 25 Watt

Main Casting

Models 29, 62, 63, 64, 634



Main Casting

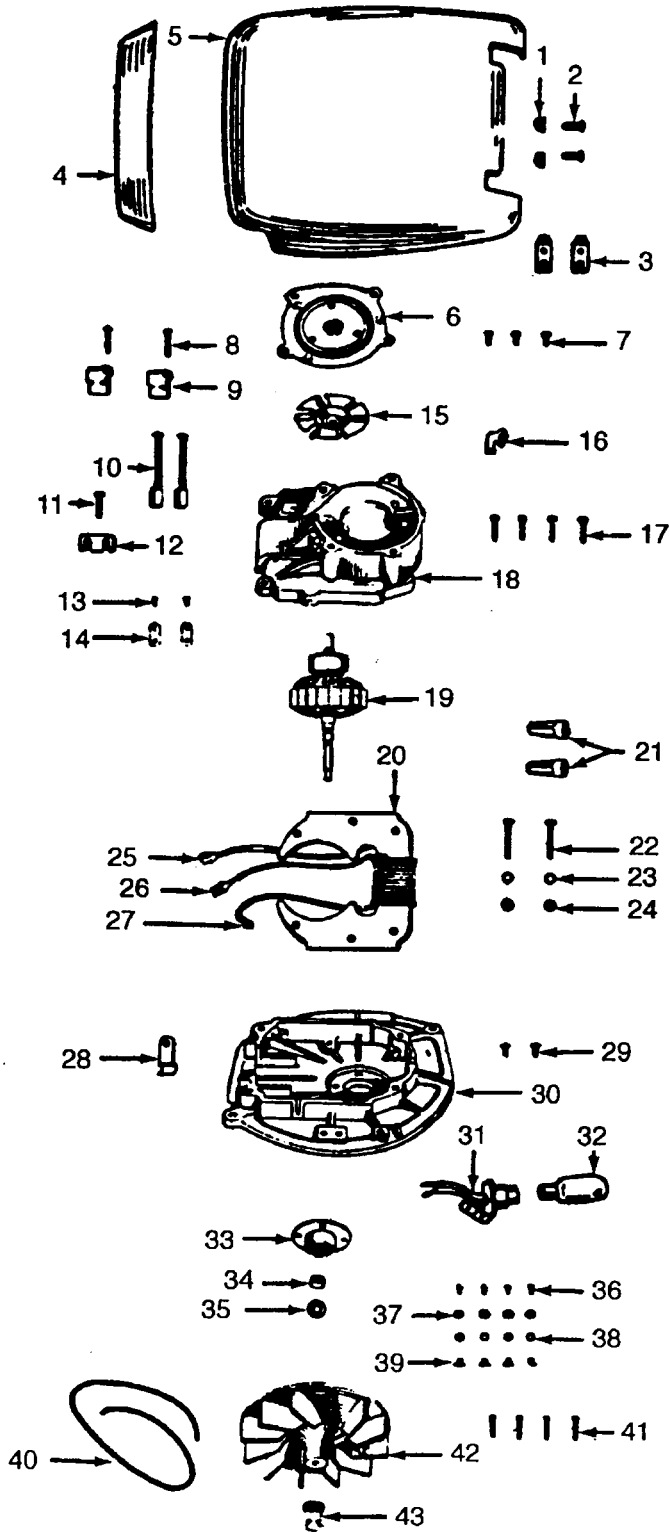
Models 29, 62, 63, 64, 634

Ref. No.	Part No.	Description
1	48293	+ Main Casting
2	32965	+ Cleaner Bottom Plate
3	19240	+* Rivet - Front
4	19251	+ Rivet - Side
5	161863	+* Screw
6	14062	* Washer
7	32769	+ Pulley Cover
8	32731	+ Belt Guard
9	45175	+ Belt Guard Spring
10	32695	+ Agitator Clamp Lever - R.H.
11	32696	+ Agitator Clamp Lever - L.H.
12	32712	+ Agitator Support Clamp Lever Spring - R.H.
13	32713	+ Agitator Support Clamp Lever Spring - L.H.
14	45218	+ Rivet
15	45219	+* Rivet
16	38522028	+ Front Wheel
17	45146	+ Front Wheel Shaft
18	162237	+* Front Wheel Nut
19	17207AZ	* Lock Ring
20	21651	+ Connector Housing
21	45190	+ Connector Valve
22	45191	Valve Spring
23	16226	+ Valve Shaft
24	34053	+ Nozzle Adj. Lever
25	46931	+ Spring
26	45593	+ Screw
27	32759	Bag Flange Support
28	51277	+* Rivet
29	45304	+ Rivet
30	45306	+ Latch Support & Lever Assem.

Ref. No.	Part No.	Description
31	45978	+ Spring
32	45305	+ Rivet
33	15673	* Nut
34	42728	+ Latch Housing
35	19745	+* Latch Spring
36	32666	+ Pulley Cover Latch
37	45166	+ Rear Wheel Support Spring
38	45165	+ Rear Wheel Support Shaft
39	47374	+ Rear Wheel Support
40	17207AZ	* Lock Ring
41	38521041	Rear Wheel
42	19240	+* Furniture Guard Rivet - Front
43	22983JM	+ Furniture Guard
44	12997AW	* Furniture Guard Rivet - 63
45	22982	+ Nozzle Adj. Indicator Plate
46	12559FW	Handle Control Lever Spring
47	34896A	+ Handle Control Lever
48	32045	+ Handle Support Spring
49	45355	+ Screw
50	22456JM	+ Handle Support Bracket
51	44752	+ Handle Control Lever Pin
52	45441	+* Retainer
53	44751AY	+ Handle Support Shaft
54	162186	+ Lock Washer
55	162280	+ Nut
56	34894JM	+ Handle Control Socket
57	44792	+ Handle Socket Plug Screw
58	48294AW	Handle Bolt Assem.
59	47076	+ Handle Socket Plug
60	46920AZ	+ Motor Lead Spring

Motor

Model 65-70, 564, 574, 704, 704-01, 706
707, 714, U4027, U4027-001, U4085



Ref. No.	Part No.	Description
1	16125AY	Capsert
2	16903	Screw
3	48620	+ Hood Attachment Plate
4	22631CA	+ Lens
	162954CA	Lens - U4085
5	162720JM	Motor Hood
	165928JM	+ Motor Hood - 707
	161649JM	Motor Hood - EW - U4085
6	42934002	Motor Bearing - Top
7	45533AY	+* Screw
8	46930AZ	+* Screw
9	36315003	Motor Brush Holder Insulator
10	47318012	Motor Brush
11	46930AZ	+* Screw
12	34035	+ Terminal Box
13	23369002	+* Screw
14	47275	+* Retainer
15	38755004	Ventilating Fan
16	48660	+ Lead Wire Clip
17	161535	Screw
18	19857	+ Motor Case
19	44765085	Armature
20	45412014	+ Field Coil
21	48969	* Wire Nut
22	45118	* Bolt
23	14062	* Lock Washer
24	15673	* Nut
25	14197	+* Terminal
26	160356	* Terminal
27	19249	+* Eyelet
28	34312011	* Lead Wire Clip
29	44706	+* Screw
30	42193006	Motor Case - Lower Half w/Sealant
31	47243	+ Lamp Socket - 65, 66
	17016	Lamp Socket
32	27317307	Lamp - 15 Watt
	42241	Lamp - 25 Watt
33	19829	Motor Bearing - Lower
34	163059	+ Fan Spacer
35	169241AW	* Fan Washer
36	21772501	* Screw
37	19772	* Washer
38	14062	* Lock Washer
39	45251	Nut
40	47232	Gasket
41	45355	+ Screw
42	38755011	Fan
43	38532009	Motor Pulley
ITEMS NOT ILLUSTRATED		
	164684	+ Insulation Shield
	43574140	Motor Comp.
	68564063	Sealant (3 oz. tube, use in conjunction with 42192010)
	40300014	Armature Spacer/Split Sleeve Kit (For use with Lower Mtr. Brgs. with 4 Attachment Holes)