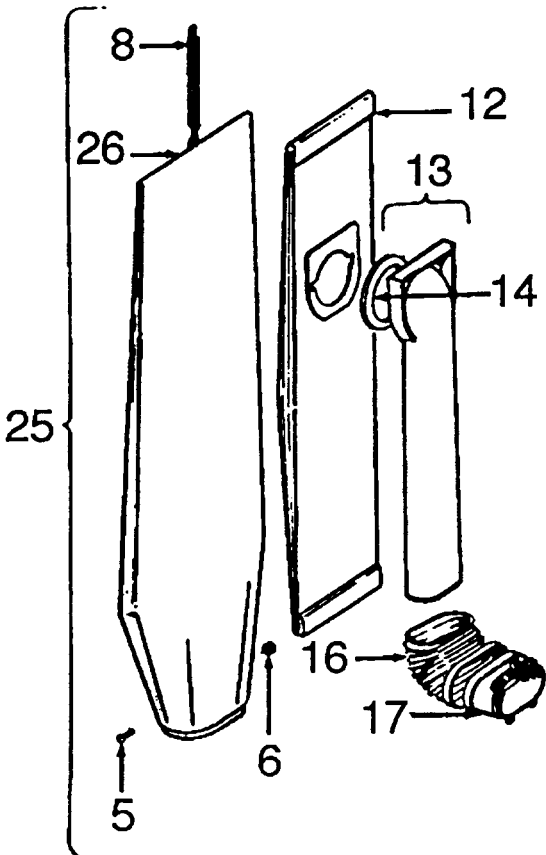
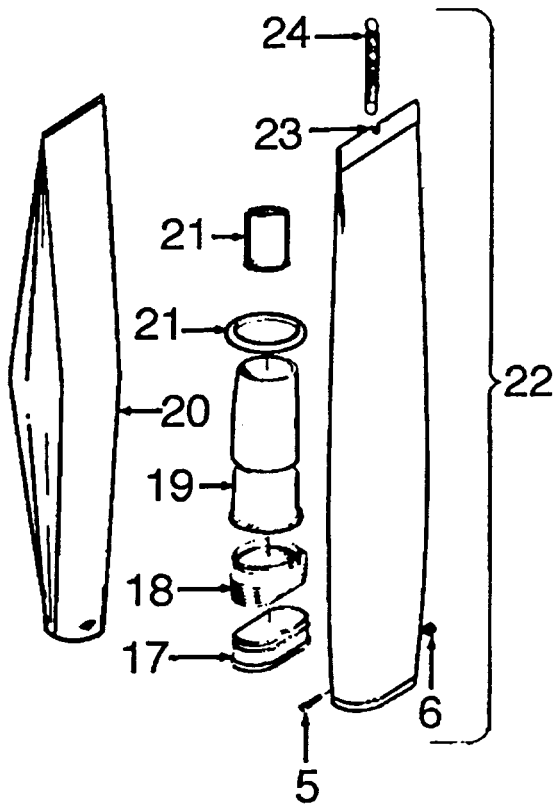


# Outer Bag/ Outer Bag Comp.

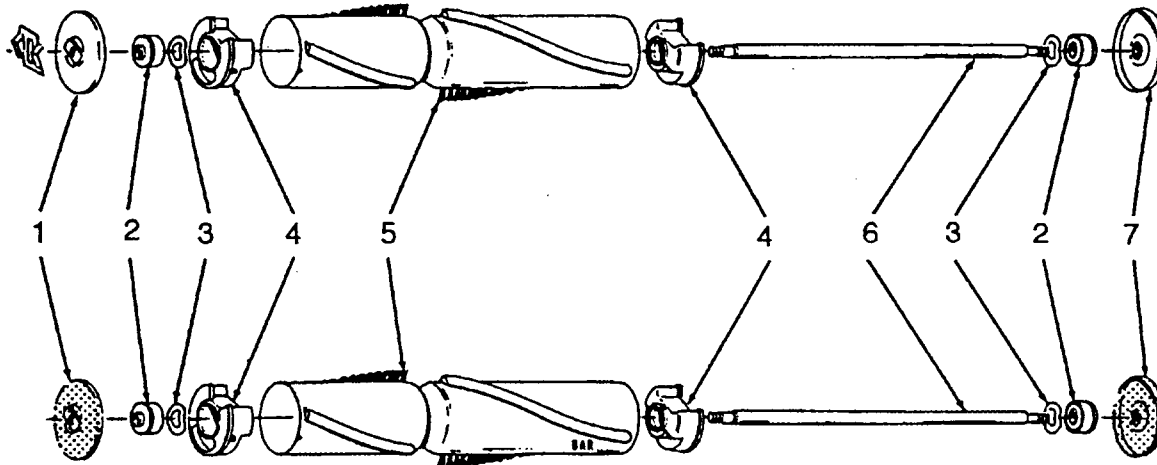
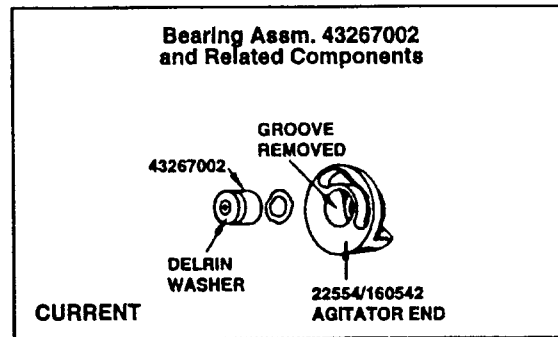
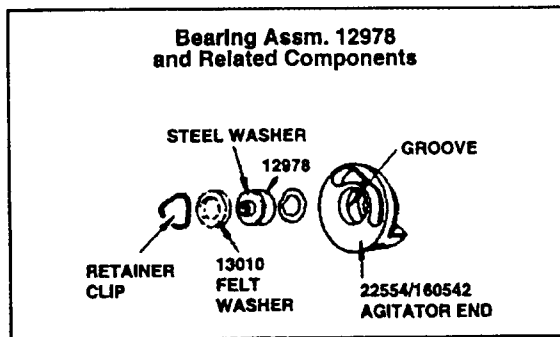


Ref. No.	Part No.	Description
5	21765159	Screw
6	15854EF	* Nut
8	38336014	Jacket Support Spring
12	4010001A	Throw Away Bag (3 Pk.)
13	43482058	+ Top Fill Tube & Seal (Shown)
	38657004	Top Fill Tube (Push on Type)
14	32174004	Bag Collar Seal (Use w/Item 13 - 43482058)
16	38673009	Bellows
17	41424011	Bag Ring & Gasket
	41424502	+ Bag Ring & Gasket - U4014-079
18	11064JM	Bellow
19	161889	Bag Support Tube
20	4010003C	Throw Away Bag (4 Pk.)
	4010004C	+ Throw Away Bag (1 2 Pk.)
21	46550AG	Bag Retainer
21	35091	+ Bag Retainer Sleeve - Early Models
22	43678331	Outer Bag Comp. - Bottom Fill - Wide - Common
	43678052	+ Outer Bag Comp. - Bottom Fill - Narrow - Common
23	43677052	+ Outer Bag - Bottom Fill - Narrow - Common
	43677321	Outer Bag - Bottom Fill - Wide - Common
	43686510	Outer Bag - U4014-079 (Zip)
24	38335006	Jacket Support Spring
25	43678330	Outer Bag Comp. - Top Fill - Common
26	43677322	Outer Bag - Top Fill - Common

## ITEMS NOT ILLUSTRATED

37911043	+ Header Cap - U4087 (JE)
37911044	+ Header Cap - U4091 (AR)
37911045	+ Header Cap - U4075 (EW)
37911047	+ Header Cap - U4093 (ET)
41129008	Cable Tie & Instruction Sheet (Used to secure the vinyl outer Jacket to the Bag Ring)
36953003	Hanger (Used in the repair of Item #'s 22,23,25,26. Secures Jacket Support Spring to Outer Bag/Outer Bag Comp.)

# Agitator



Ref. No.	Part No.	Description
1	49180	Thread Guard & Spring (Metal)
	36423003	+ Thread Guard L.H. (Molded)
2	43267002	Bearing
3	21347003	* Thrust Washer
4	22554	Agitator End (Early Model Standard Performance Cleaners, L.H. Helix)
	160542	Agitator End (Standard & High Performance Cleaners, R.H. Helix)
	41435070	Agitator End (Use w/two brush agitator Pt. #48414021)
5	12998BZ	Agitator Brush - 8 mil (Early Model Standard Performance Cleaners, L.H. Helix)
	160646BZ	Agitator Brush - 8 mil (Standard Performance Cleaners, R.H. Helix)
	48445001	Agitator Brush - 11 mil (High Performance Cleaners, R.H. Helix)
6	12981	+ Agitator Shaft (Used w/metal thread guards)
	32724008	Agitator Shaft (Used w/molded thread guards)
7	12985AY	Thread Guard R.H. (Metal)
	36423007	+ Thread Guard R.H. (Molded)

## AGITATOR BELT

Ref. No.	Part No.	Description
	49258AG	Domestic models, Convertible/Decade 80/Heavy Duty Commercials
	44783AG	Lightweight Commercials

## AGITATOR ASSEMBLY

	169371MF	+ Standard Performance, R.H. Helix (Metal Thread Guards)
	41435005	High Performance Cleaners, R.H. Helix (Metal Thread Guards w/Spring)
	48414006	+ High Performance Cleaners, R.H. Helix (Metal Thread Guards)
	48414007	+ Standard Performance, R.H. Helix (Molded Thread Guards)

## FOUR BRUSH AGITATOR ASSEMBLY

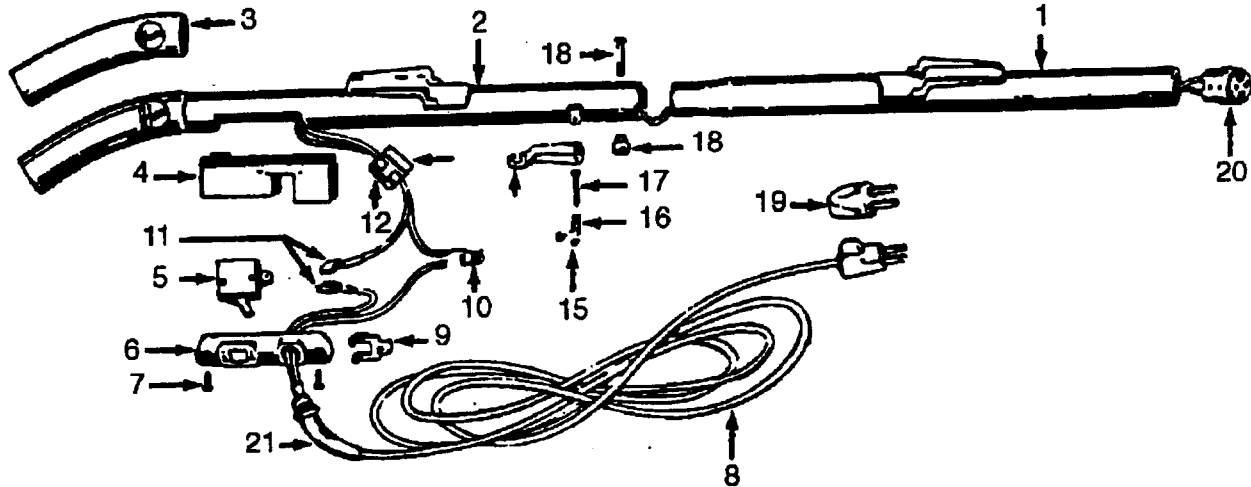
	48414002	+ Heavy Duty Commercial (Use 47159 Brush-Long, 47160 Brush-Short & 46875 Sems Fastener)
	48414003	Lightweight Commercial (Use 160646BZ Brush & 36422003 Agitator End)

## TWO BRUSH W/O BEATER BAR

	48414021	Agitator (Molded Thread Guards)
--	----------	---------------------------------

# Handle

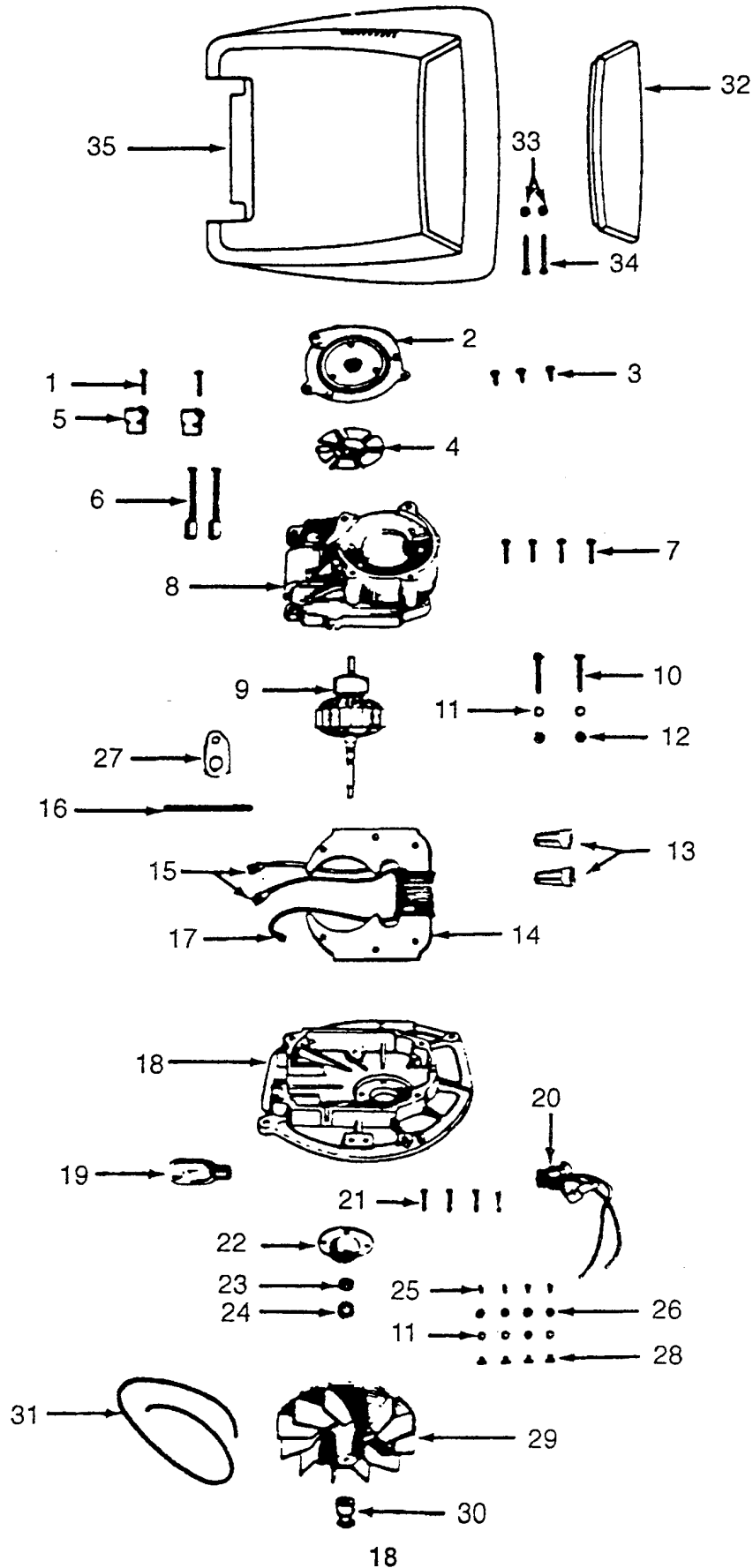
**Models 589, 593, 706, 707, 719, 728, 1020, 1030, 1070, 1076  
U4001, U4003, U4003-001, U4003-002, U4005, U4007, U4009  
U4014-079, U4017, U4019, U4021, U4027, U4027-001, U4031  
U4033, U4035, U4047, U4053, U4069, U4075, U4077, U4085  
U4087, U4089, U4091, U4093, U4093-001**



Ref. No.	Part No.	Description	Ref. No.	Part No.	Description
	48655208	Handle Comp. - 589, 593, 706, 707, 1020, 1030, 1070, 1076, U4001, U4005, U4009, U4021, U4031, U4047, U4053, U4069, U4075, U4077, U4085, U4087, U4089, U4091, U4093, U4093-001	8	46363195	Cord
	19984VN	+ Handle Comp.		46383117	+ Attachment Cord - U4014-079
	48655001	+ Handle Comp. - U4017, U4035	9	36171043	+* Cord Retainer
	48655016	+ Handle Complete - U4033	10	48969	Wire Nut (Not Applicable - U4014-079)
	48655068	+ Handle Comp.	11	160356	Terminal (Not Applicable - U4014-079)
	48655069	+ Handle Comp. - 719, 728, U4003, U4003-001, U4003-002, U4007, U4019, U4027, U4027-001	12	12260	+ Strain Relief Body (Not Applicable - U4014-079)
1	48631140	+ Handle - Lower Half	13	12261	+ Strain Relief Lock (Not Applicable - U4014-079)
	48631521	+ Handle - Lower Half - U4014-079 (Incl. Handle Retainer Plate #34727502 & Screw #32227501)	14	35234AW	+ Jacket Support - 1070
2	48655208	Handle Assem. - Upper Half - 719, 728, U4003, U4003-001, U4003-002, U4007, U4019, U4027, U4027-001, U4031, U4085	15	48123AV	+* Retaining Ring - 1070
	49582JM	+ Handle - Upper Half - 1070, 1076	16	35205	+ Jacket Support Spring - 1070
	48647520	Handle - Upper Half - U4014-079	17	48882	+ Jacket Support Pin - 1070
3	23458JM	Handle Grip	18	48294AW	Handle Clamp Bolt & Nut
4	12272	+ Switch Insulator & Bushing (Not Applicable - U4014-079)		33464501	Handle Clamp Bolt - U4014-079
5	12971	Switch (Not Applicable U4014-079)	19	35380	Plug
6	12973AW	Switch Cover Plate w/o Hook	20	34484JM	+ Handle Receptacle Assem. (Not Applicable - U4014-079)
	23138AW	Switch Cover Plate w/Hook (Not Applicable - U4014-079)	21	31969AG	Cord Protector
7	21465314	+ Screw (Not Applicable - U4014-079)		36215503	+ Cord Protector - U4014-079 (Handle/Cord Retainer Clamp)
			ITEMS NOT ILLUSTRATED		
				13704	Lock Washer (Used w/48294AW It. 18)
				36172506	+ Cord Retaining Clamp - U4014-079 (Handle/Cord Protector)

**Motor**

**Models 589, 593, 719, 728, 1010, 1020, 1030, 1060, 1070, 1076, U4001, U4017, U4019, U4021, U4031, U4033, U4035, U4047, U4053, U4069, U4075, U4077, U4087, U4089, U4091, U4093, U4093-001**



# Motor

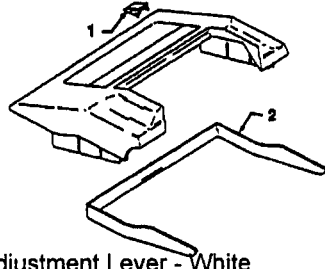
**Model 589, 593, 719, 728, 1010, 1020, 1030, 1060, 1070, 1076, U4001, U4017, U4019, U4021, U4031, U4033, U4035, U4047, U4053, U4069, U4075, U4077, U4087, U4089, U4091, U4093, U4093-001**

No.	No.		Ref. No.	Part No.	Description
1	46930AZ	+* Screw			
2	42934002	Motor Bearing - Top			
3	45533AY	+* Screw	34	47195	+ Screws
4	38755004	Ventilating Fan	35	161649JM	Motor Hood - 1060, 1070, 1076
5	36315003	Motor Brush Holder Insulator		161872CL	+ Motor Hood - 728
6	47318012	Motor Brush		42251324	Motor Hood - U4035
7	161535	* Screw		161879CK	+ Motor Hood - 593
8	19857	+ Motor Case		162182GX	+ Motor Hood - U4019
9	44765085	Armature		162719JM	Motor Hood - 1010, 1020, 1030, U4021, U4031, U4077
10	45118	* Bolt		167364JM	+ Motor Hood - 589, 719, U4001, U4017, U4047, U4053, U4069, U4089
11	14062	* Lock Washer			
12	15673	* Nut			
13	48969	* Wire Nut		42251012	Motor Hood - CD - U4091, U4093, U4093-001
14	45412014	+ Field - Two Speed		42251004	+ Motor Hood - JE - U4087
	45412015	Field - Single Speed - U4001, U4077, U4089		42251006	+ Motor Hood - EW - U4075
15	14197	+* Terminal		42251151	+ Motor Hood - U4033
16	27479307	Lead Wire Tie			
17	14320	* Terminal			
18	42193006	Motor Casing - Lower Half w/Sealant			
19	27317307	Lamp - 15 Watt			
20	17016	Lamp Socket		43574133	Motor Comp. - U4001, U4077, U4089
21	45355	+ Screw		43574140	Motor Comp.
22	19829	Motor Bearing - Lower		43574045	+ Motor Comp. - U4075, U4093, U4093-001
23	163059	+ Fan Spacer		164684	+ Insulation Shield
24	169241AW	* Washer		68564063	Sealant (3 oz. tube) Seal for Motor Casing (Lower Half)
25	21772501	* Screw			
26	19772	* Washer		31162004	* Washer - Heat Insulation (Use in conjunction w/Item 29 #3875501 0)
27	45517	* Lead Wire Holder			
28	45251	Nut		40300014	Armature Spacer/Split Sleeve Kit (For use with Lower Mtr. Brgs. with 4 Attachment H
29	38755011	Fan - Polycarbonate (Black)			
30	38532009	Motor Pulley			
31	47232	Gasket (Use w/Item 18 - 11062)			
32	162954CA	Lens - 1060, 1070, 1076, U4019, U4033			
	22631CA	+ Lens - 719, 728			
33	16125AY	+ Capserts			

### ITEMS NOT ILLUSTRATED

# Hoods

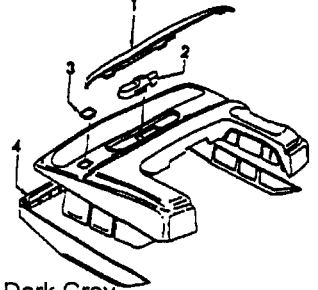
## Concept Hoods



### Hood Assembly 37253239+ Black

1. 38421027 Nozzle Adjustment Lever - White  
38421037 Nozzle Adjustment Lever - Blue
2. 36235082 Furniture Guard - Midnight Gray

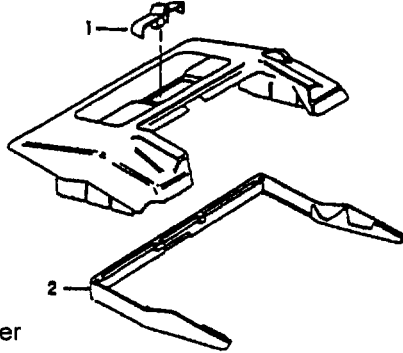
## Power Drive Hoods



### Hood Assembly 42252362 Deep San 42252365 Blue 42252A05 Black 42252368 Teal Green Med.

1. 39383092 Lens
2. 38421086 Nozzle Lever - Dark Gray
3. 37246005 Panel - Dark Gray  
39382008 Belt indicator Lens
4. 36235087 Furniture Guard - Dark Gray

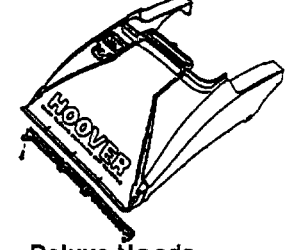
## PowerMAX Hoods



### Hood Assembly 42252311 Crimson 42252313 Black

1. Nozzle Adjustment Lever  
38421083 Black
2. Furniture Guard  
36235082 Gray

## SteamVac Hoods

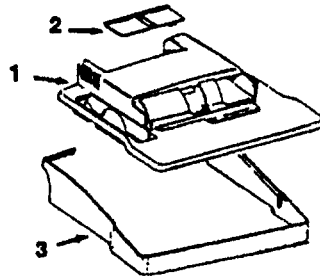


- ### Hood Assembly w/o Door
- 37271029 Coral
- ### Hood Assembly with Door
- 37271030 Blue
  - 37271031 Deep Sand
  - 37271033 Mist White
  - 48443005 Brush Back Assm.

- ### Deluxe Hoods
- 37271035 Forest Green
  - 37271036 Deep Wine
  - 37271037 Ultra Deep Blue
  - 48447002 Brush Back - Dual

## Innovation Hoods

1. 37253632 Soft Bag Models  
37253633 Hard Bag Models
2. 37246522 Lens Shield - Both
3. 36235547 Furniture Guard - Both



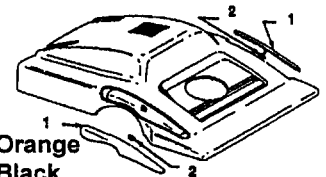
- ### Hoods - Automatic Tool Conversion w/o Rotating Brushes
- 37271045 Teal Deep
  - 37271046 Deep Wine

- ### Hoods - Automatic Tool Conversion w/Rotating Brushes
- 37271055 - Dlx. - Forest Green
  - 37271052 - Dlx. - Deep Wine
  - 37271049 - Ultra - Deep Wine
  - 37271043 - Ultra - Forest Green
  - 37271048 - Ultra - Ultra Deep Blue

- ### Hoods - Steam Vac WidePath
- 37271062 - Black

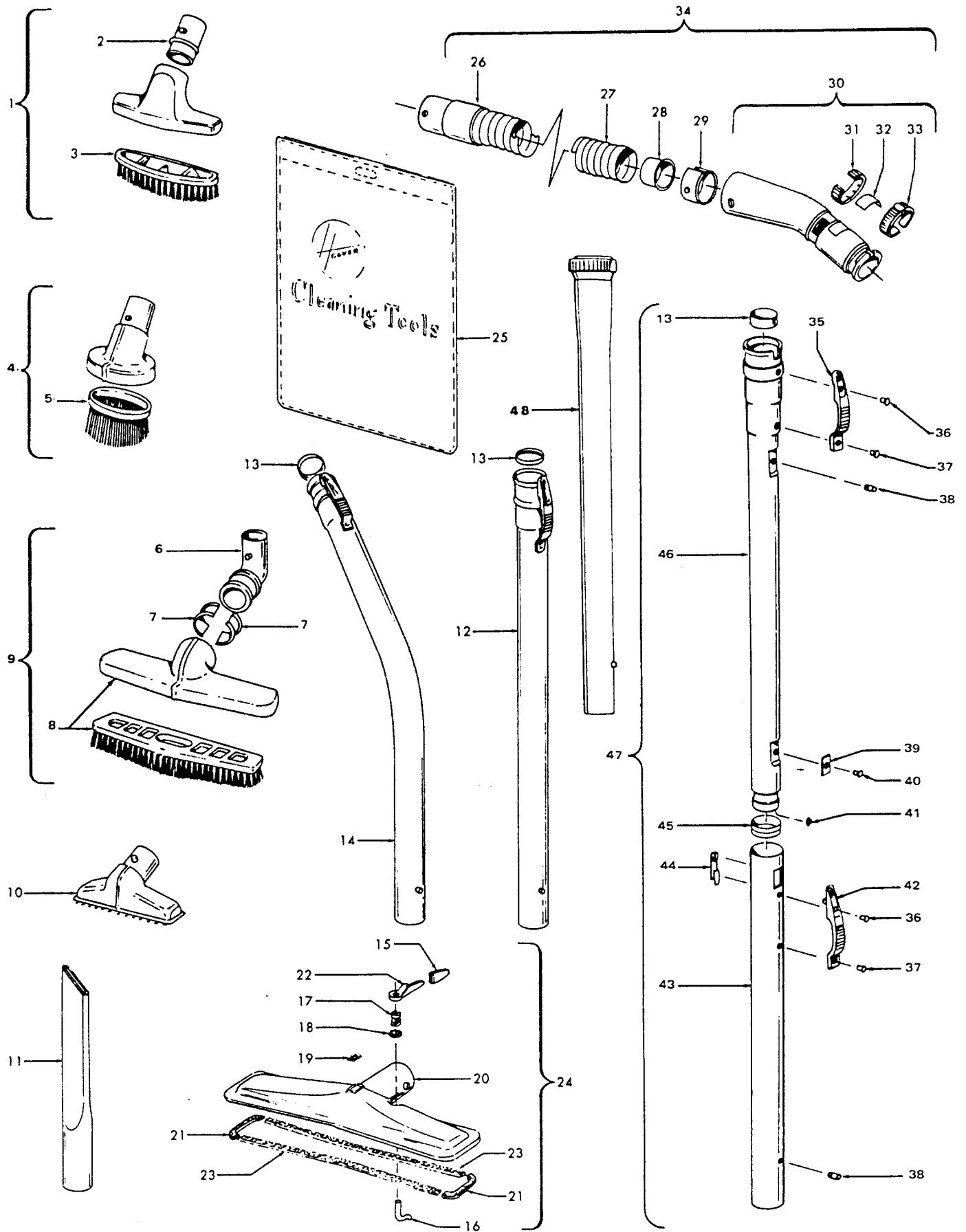
- ### Hoods - Steam Vac - Max Extract
- 37271070 - Titanium Gold Metallic

## Conquest Hoods



- 37252016 Hood Assembly - 14" - Orange
- 37252024 Hood Assembly - 14" - Black
- 37252010 Hood Assembly - 18" - Orange
- 37252031 Hood Assembly - 18" - Black
- 42251329 Hood Assm. Doublewide (not shown) Orange
- 42251337 Hood Assm. Doublewide (not shown) Black

1. 36222014 Wear Strip - L.H. - Black  
36222021 Wear Strip - R.H. - Black
2. 21364102 Speed Nut



## Cleaning Tools

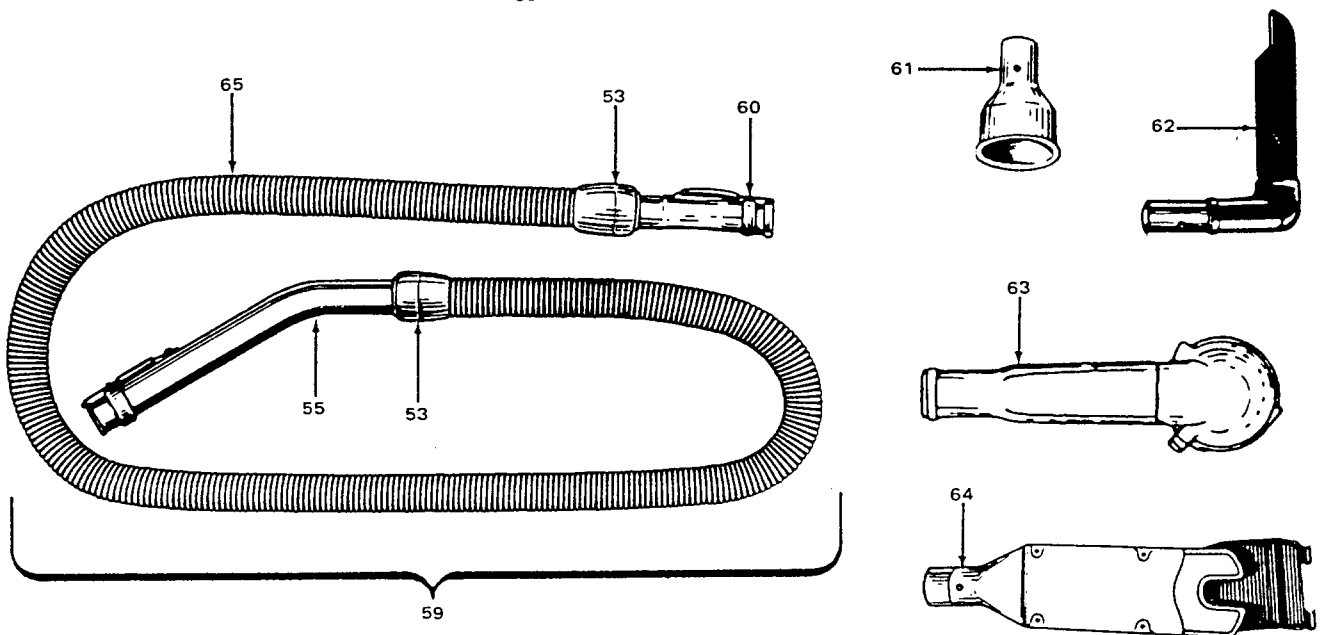
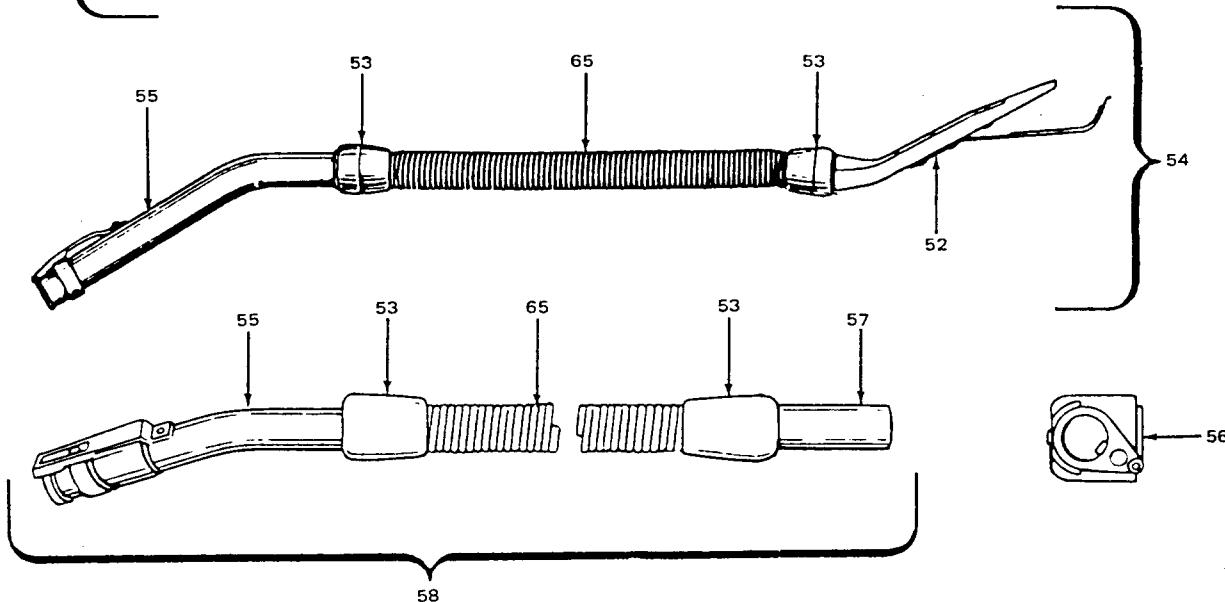
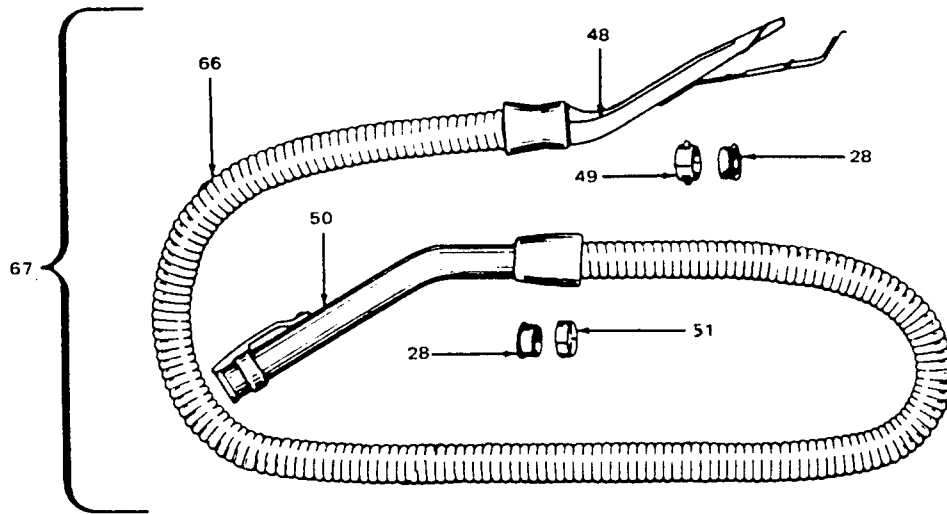
Ref. No.	Part No.	Description
1	161852JM 43414016	+ Furniture Brush Furniture Brush - AG
2	13149JM	Nozzle Connector Tube (Use w/ 161852JM)
3	13254BZ	+ Furniture Brush Back (Use w/161852JM)
4	161851JM 43414064 43414145	+ Dusting Brush Comp. Dusting Brush (One Piece) (Std Fit) Dusting Brush - Friction
	13263BZ	+ Brush (Use w/ 61851 JM)
6	13154JM	+ Floor Brush Swivel & Collar (Use w/13077JM)
	38644040	Swivel Connector (Use w/43414073)
7	13276	Floor Brush Swivel Bushing (Use w/13154JM)
	33712007	Split Ring (Use w/38644040)
8	13155JM	+ Floor Brush Nozzle & Brush (Use w/ 13077JM)
	13077JM	+ Floor Brush
	43414073	Floor Brush - (Standard Fit)
	43414135	Floor Brush - AAP (Friction Fit)
10	43414057	Furniture Nozzle - (Standard Fit)
	38614029	Furniture Nozzle - AG - (Friction Fit)
11	38617017	Crevice Tool - AG - (Standard Fit)
	38617024	Crevice Tool
12	43453027	Extension Tube (Standard Fit)
13	12845JM	Gasket
14	43466040	Ext. Tube - Curved (Short) (Std. Fit)
15	34207AG	Handle Control Foot Pad
16	33126001	+ Latch - AW
17	38311006	+ Spring
18	161549	+ Washer
19	34121001	Pad - Felt
20	43482097	Converter Body Assem.
21	34253003	+ Seal - End
22	38452026	+ Latch Lever
23	34113005	+ Seal - Side
24	43482097	Converter Body Assem. Conversion - (Standard & Friction Fit)
25	58544004	+ Cleaning Tool Bag
26	32288007	Hose Connector (Use w/Continuous Convolution Hose) - (Standard Fit)
	32288003	Hose Connector - JM (Use w/Circular Ribbed Hose) - (Standard Fit)
	32288004	Hose Connector - AAP (Use /Circular Ribbed Hose) - (Std. & Friction Fit)
27	43434203 38671001	Hose Complete - AAP Hose Less Ends - JM (Circular Ribbed) - (Std. Fit Ends)
	38671028	+ Hose Less Ends - AAP (Circular Ribbed) - (Std. Fit Ends)
	38671030	+ Hose Less Ends (Circular Ribbed) - (Friction Fit Ends)
28	32156010	Hose Sleeve - (Standard Fit Hose)
29	36116006	Hose Connector Collar (Use w/ Continuous Convolution Hose) (Standard Fit Hose)
	36171025	Hose Connector Collar (Use w/Circular Ribbed Hose) - (Standard Fit Hose)

## Convertible

Ref. No.	Part No.	Description
30	43466044	Hose Connector Curved w/Rings-AAP (Use w/Continuous Convolution Hose) (Std. Fit)
	43466055	+ Hose Connector Curved w/Latch Ring- JM (w/o Suction Regulator) (Use w/ Circular Ribbed Hose) - (Standard Fit)
	43466058	Hose Connector Curved w/Latch Ring AAP (w/o Suction Regulator) - Use w/Circular Ribbed Hose - (Std. Fit)
	39454059	Hose Connector - AAP -
31	38711006	Suction Control Ring - (Standard)
32	51869006	Hose Connector Label - (Standard)
33	36153009	Latch Ring - MV - (Standard)
34	43434203	Hose Comp. - Front Conversion (Continuous Convolution) (w/o Suction Regulator) - (Standard Fit)
	43434209	Hose Comp. - Front Conversion - JM (Circular Ribbed) (w/o Suction Regulator) - (Standard Fit)
	43434210	Hose Comp. - Front Conversion - AAP (Circular Ribbed w/o Suction Regulator) (Standard Fit)
	43434225	+ Hose Comp. - AAP - (Friction Fit)
35	12846AG	Tube Latch
36	12772	+* Rivet
37	12783	+* Rivet
38	12763AW	* Rivet
39	12824	+ Reinforcement Plate
40	12600	Rivet
41	21312704	* Washer
42	36152018	Tube Latch - Outer
43	12597	Extension Tube - Outer
44	12589	Extension Tube Guide
45	12844JM	+ Gasket - Inner
46	12598	+ Extension Tube - Inner
47	43458001	Extension Tube - (Standard Fit)
48	3863801P 38634078	Extension Tube - Poly - AG Extension Tube (Polystyrene) - AAP - (Friction Fit)

Standard Fit Tools ... w/Retention Pin  
Friction Fit Tools ... w/o Retention Pin





## Cleaning Tools

Ref. No.	Part No.	Description
48	13147JM	+ Converter (Std. - Rear Conversion)
49	12615BZ	Hose Converter Collar
50	43466044	Hose Grip - AAP - SC
51	12704BZ	Hose Grip Collar
52	23473JM	+ Converter (Except 63, 64) (Use w/ Hose 48617)
53	23393JM	Hose Grip
54	12864JM	+ Hose Comp. - Ultraflex (Equipped w/Converter 23473)
55	13143	Hose Tube Curved
56	43452503	Converter - 1330, 1348, 1348-002
57	17959A	+ Hose Connector Tube - 1330 (Metal)
	641398LL	+ Hose Connector Tube - 1348, 1348-002 (Plastic)
58	19633JM	+ Hose Comp. - Ultraflex - 1330, 1340, 1348, 1348-002
59	22671JM	+ Hose Comp. - Ultraflex (Commercial) Use w/Converter 34202 or 35190)
	23007A	+ Hose Comp. - Ultraflex (Use w/Converter 35447)

## Convertible

Ref. No.	Part No.	Description
60	34083	+ Hose End - 14, 63, 64
	34355	+ Hose End Short (Commercial)
61	34984A	+ Blower (Use w/Hose 22671)
62	35447	+ Converter - Special - 63, 64
63	35190	Converter (Use w/Hose 22671)
64	34202JM	+ Converter (Use w/Hose 22671)
65	48617JM	+ Hose Less Ends
66	43434213	Hose Less Ends
67	12864JM	+ Hose Assem. Comp. - Tufflex (Std. Rear Conversion)

### ITEMS NOT ILLUSTRATED

161728	+ Turbine Roto - Power Brush
169460JM	+ Ultraflex Hose - 50' length
43431011	+ Tufflex Hose - 50' length