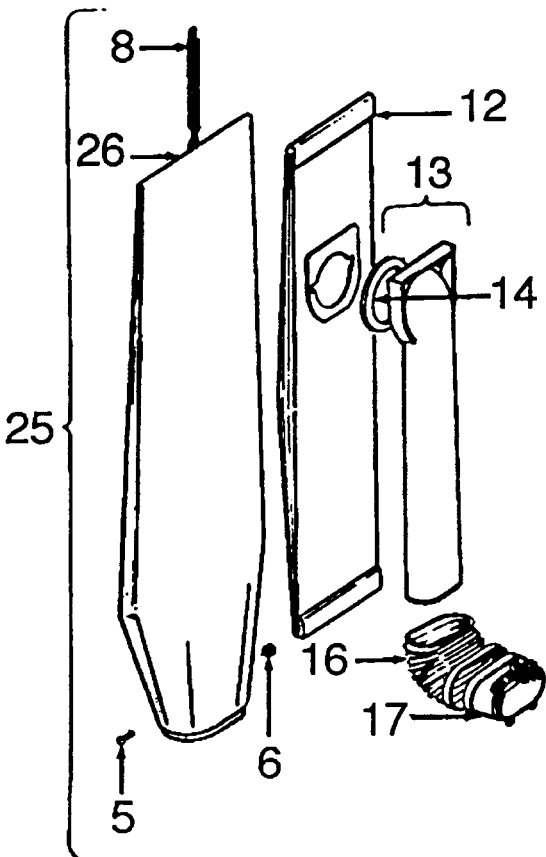
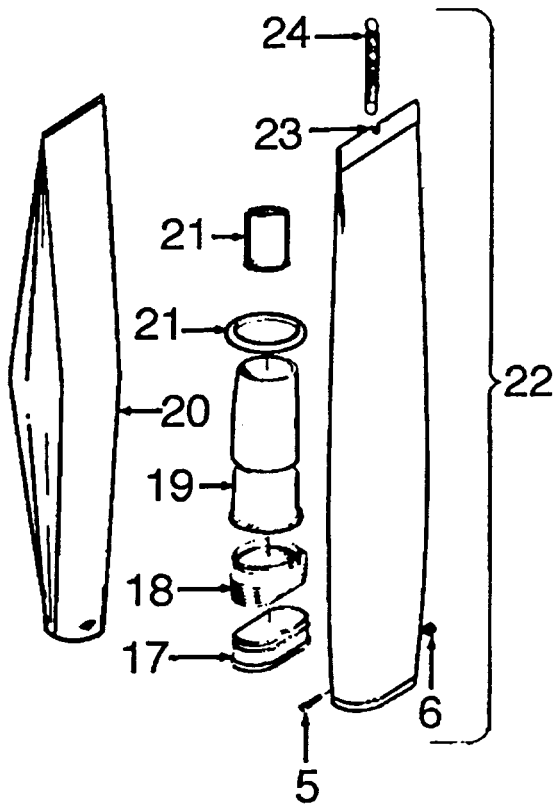


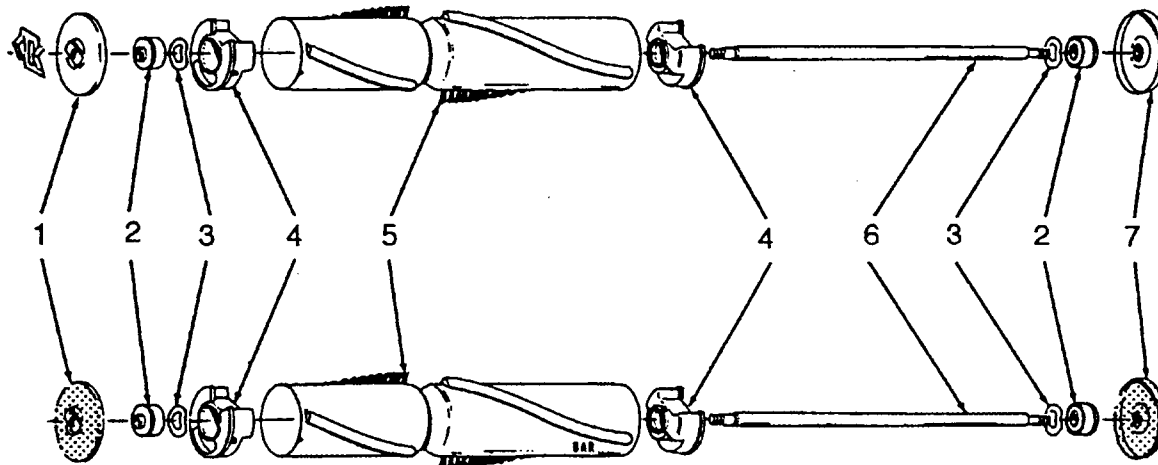
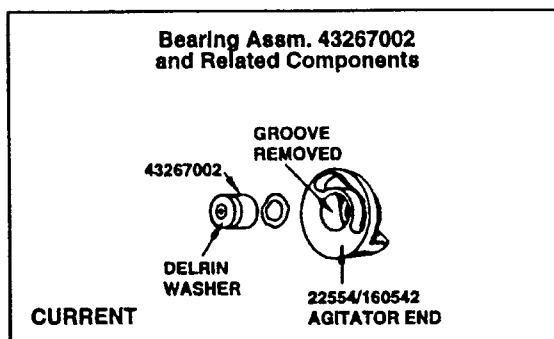
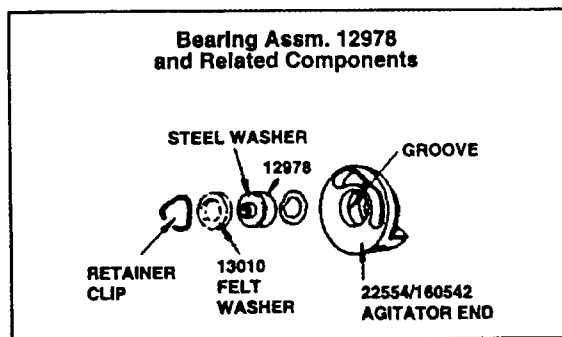
Outer Bag/ Outer Bag Comp.



| Ref. No. | Part No. | Description |
|----------|----------|---------------------------------------------------|
| 5 | 21765159 | Screw |
| 6 | 15854EF | * Nut |
| 8 | 38336014 | Jacket Support Spring |
| 12 | 4010001A | Throw Away Bag (3 Pk.) |
| 13 | 43482058 | + Top Fill Tube & Seal (Shown) |
| | 38657004 | Top Fill Tube (Push on Type) |
| 14 | 32174004 | Bag Collar Seal (Use w/Item 13 - 43482058) |
| 16 | 38673009 | Bellows |
| 17 | 41424011 | Bag Ring & Gasket |
| | 41424502 | + Bag Ring & Gasket - U4014-079 |
| 18 | 11064JM | Bellow |
| 19 | 161889 | Bag Support Tube |
| 20 | 4010003C | Throw Away Bag (4 Pk.) |
| | 4010004C | + Throw Away Bag (1 2 Pk.) |
| 21 | 46550AG | Bag Retainer |
| 21 | 35091 | + Bag Retainer Sleeve - Early Models |
| 22 | 43678331 | Outer Bag Comp. - Bottom Fill - Wide - Common |
| | 43678052 | + Outer Bag Comp. - Bottom Fill - Narrow - Common |
| 23 | 43677052 | + Outer Bag - Bottom Fill - Narrow - Common |
| | 43677321 | Outer Bag - Bottom Fill - Wide - Common |
| | 43686510 | Outer Bag - U4014-079 (Zip) |
| 24 | 38335006 | Jacket Support Spring |
| 25 | 43678330 | Outer Bag Comp. - Top Fill - Common |
| 26 | 43677322 | Outer Bag - Top Fill - Common |

ITEMS NOT ILLUSTRATED

| | |
|----------|-----------------------------------------------------------------------------------------------------------------|
| 37911043 | + Header Cap - U4087 (JE) |
| 37911044 | + Header Cap - U4091 (AR) |
| 37911045 | + Header Cap - U4075 (EW) |
| 37911047 | + Header Cap - U4093 (ET) |
| 41129008 | Cable Tie & Instruction Sheet (Used to secure the vinyl outer Jacket to the Bag Ring) |
| 36953003 | Hanger (Used in the repair of Item #'s 22,23,25,26. Secures Jacket Support Spring to Outer Bag/Outer Bag Comp.) |



| Ref. No. | Part No. | Description |
|----------|----------|--------------------------------------------------------------------------------|
| 1 | 49180 | Thread Guard & Spring (Metal) |
| | 36423003 | + Thread Guard L.H. (Molded) |
| 2 | 43267002 | Bearing |
| 3 | 21347003 | * Thrust Washer |
| 4 | 22554 | Agitator End (Early Model Standard Performance Cleaners, L.H. Helix) |
| | 160542 | Agitator End (Standard & High Performance Cleaners, R.H. Helix) |
| | 41435070 | Agitator End (Use w/two brush agitator Pt. #48414021) |
| 5 | 12998BZ | Agitator Brush - 8 mil (Early Model Standard Performance Cleaners, L.H. Helix) |
| | 160646BZ | Agitator Brush - 8 mil (Standard Performance Cleaners, R.H. Helix) |
| | 48445001 | Agitator Brush - 11 mil (High Performance Cleaners, R.H. Helix) |
| 6 | 12981 | + Agitator Shaft (Used w/metal thread guards) |
| | 32724008 | Agitator Shaft (Used w/molded thread guards) |
| 7 | 12985AY | Thread Guard R.H. (Metal) |
| | 36423007 | + Thread Guard R.H. (Molded) |

AGITATOR BELT

| Ref. No. | Part No. | Description |
|----------|----------|---------------------------------------------------------------|
| | 49258AG | Domestic models, Convertible/Decade 80/Heavy Duty Commercials |
| | 44783AG | Lightweight Commercials |

AGITATOR ASSEMBLY

| | |
|----------|----------------------------------------------------------------------|
| 169371MF | + Standard Performance, R.H. Helix (Metal Thread Guards) |
| 41435005 | High Performance Cleaners, R.H. Helix (Metal Thread Guards w/Spring) |
| 48414006 | + High Performance Cleaners, R.H. Helix (Metal Thread Guards) |
| 48414007 | + Standard Performance, R.H. Helix (Molded Thread Guards) |

FOUR BRUSH AGITATOR ASSEMBLY

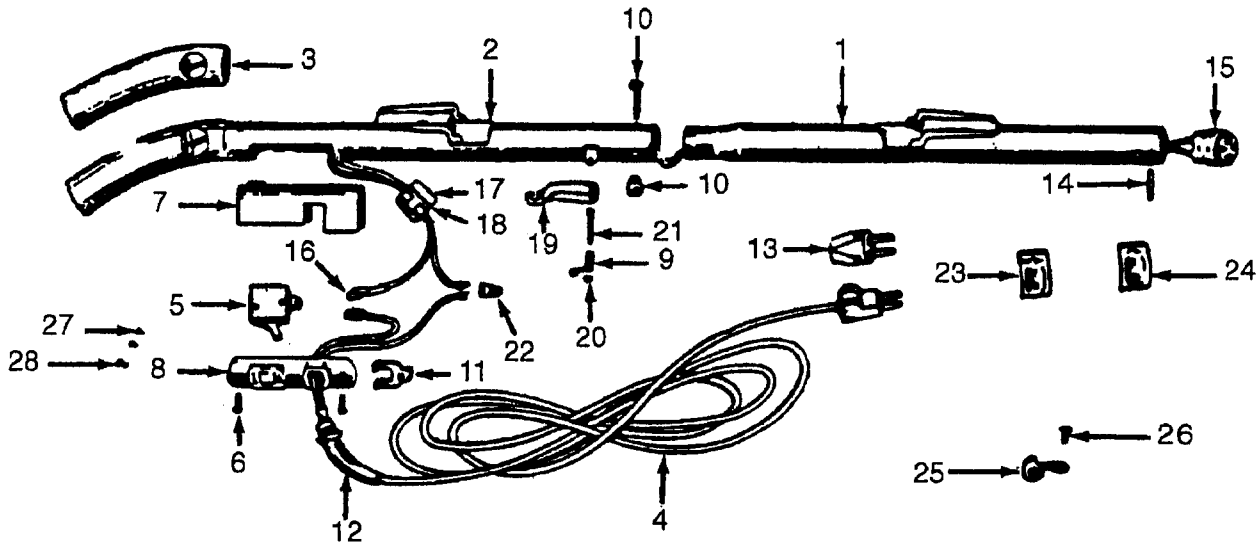
| | |
|----------|-----------------------------------------------------------------------------------------|
| 48414002 | + Heavy Duty Commercial (Use 47159 Brush-Long, 47160 Brush-Short & 46875 Sems Fastener) |
| 48414003 | Lightweight Commercial (Use 160646BZ Brush & 36422003 Agitator End) |

TWO BRUSH W/O BEATER BAR

| | |
|----------|---------------------------------|
| 48414021 | Agitator (Molded Thread Guards) |
|----------|---------------------------------|

Handle

Models 31, 32, 33, 34, 35, 36, 65, 66, 67, 68
69, 70, 564, 574, 584, 704, 714, 1010, 1060



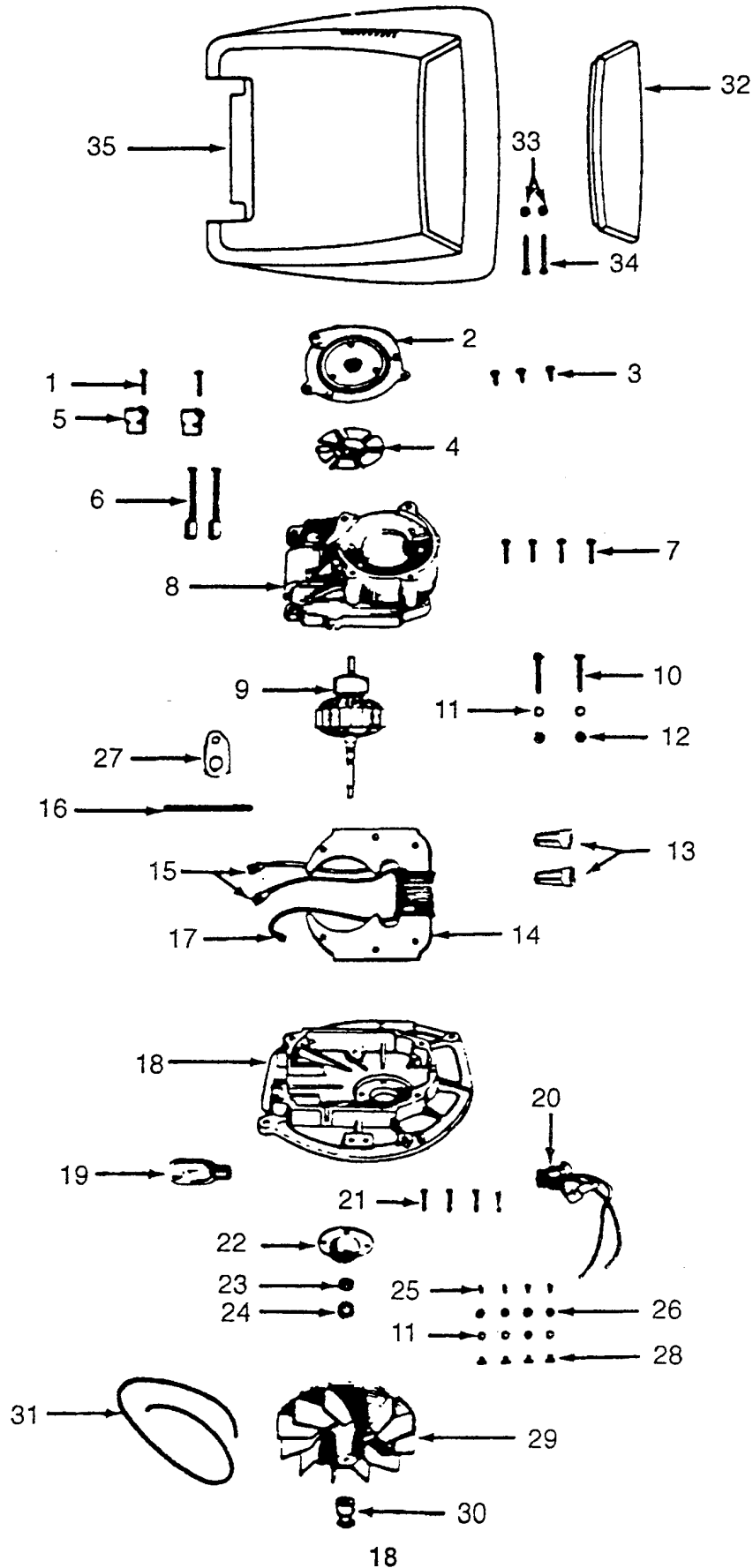
| Ref. No. | Part No. | Description | Ref. No. | Part No. | Description |
|----------|----------|----------------------------------------------|----------|----------|----------------------------------|
| | 48655069 | Handle Comp. - 714 | 20 | 48123AY | +* Retaining Ring |
| | 48655208 | Handle Comp. (All except 31) | 21 | 48882 | +* Jacket Support Pin |
| | 22642JM | + Handle Comp. - 65 | 22 | 48969 | * Solderless Connector |
| 1 | 48631140 | + Handle (Lower Half) (All except 31) | 23 | 35005AB | + Cord Support - LH - 31 |
| | 48631056 | Handle (Lower Half) - 31 | 24 | 35004 | + Cord Support - RH - 31 |
| 2 | 49562JM | + Handle (Upper Half) - 65, 68, 69, 70, 1060 | 25 | 42330 | + Bag Support Hook - 31 |
| | 48655208 | Handle Assem. - (Upper Half) | 26 | 44099 | + Screw - 31 |
| | 35245JM | + Handle (Upper Half) - 66, 67 | 27 | 161994 | +* Switch Screw (Small) - 65, 66 |
| | 35602JM | + Handle (Upper Half) - 31 | 28 | 23369002 | +* Switch Screw (Large) - 65, 66 |
| 3 | 23458JM | Handle Grip | | | |
| | 160802C | + Handle Grip - 714 | | | |
| 4 | 46363195 | Cord | | | |
| | 46363338 | Attachment Cord | | | |
| 5 | 12971 | Switch (All except 31) | | | |
| 6 | 21465314 | Screw | | | |
| 7 | 12272 | + Switch Insulator & Bushing | | | |
| 8 | 12973AW | Switch Cover Plate - w/o Hook | | | |
| | 23138AW | Switch Cover Plate - w/Hook | | | |
| 9 | 35205 | + Jacket Support Sp. | | | |
| 10 | 48294AW | Handle Clamp Bolt & Nut Assem. | | | |
| 11 | 36171043 | + Cord Protector Retainer | | | |
| 12 | 31969AG | Cord Protector (All except 31) | | | |
| | 12229JM | + Cord Protector - 31 | | | |
| 13 | 35380 | Cord Plug Assem. | | | |
| 14 | 37088 | +* Handle Receptacle Pin | | | |
| 15 | 34484JM | + Handle Receptacle Assem. | | | |
| 16 | 160356 | * Terminal - All except 31, 65, 66 | | | |
| | 19249 | +* Eyelet - 65, 66 | | | |
| 17 | 12261 | + Strain Relief Lock | | | |
| 18 | 12260 | + Strain Relief | | | |
| 19 | 35234AW | + Jacket Support | | | |

ITEMS NOT ILLUSTRATED

| | |
|-------|----------------------------------------------|
| 18676 | Cord Retainer Lock |
| 13704 | Lock Washer - Use w/Handle Bolt & Nut #48294 |

Motor

Models 589, 593, 719, 728, 1010, 1020, 1030, 1060, 1070, 1076, U4001, U4017, U4019, U4021, U4031, U4033, U4035, U4047, U4053, U4069, U4075, U4077, U4087, U4089, U4091, U4093, U4093-001



Motor

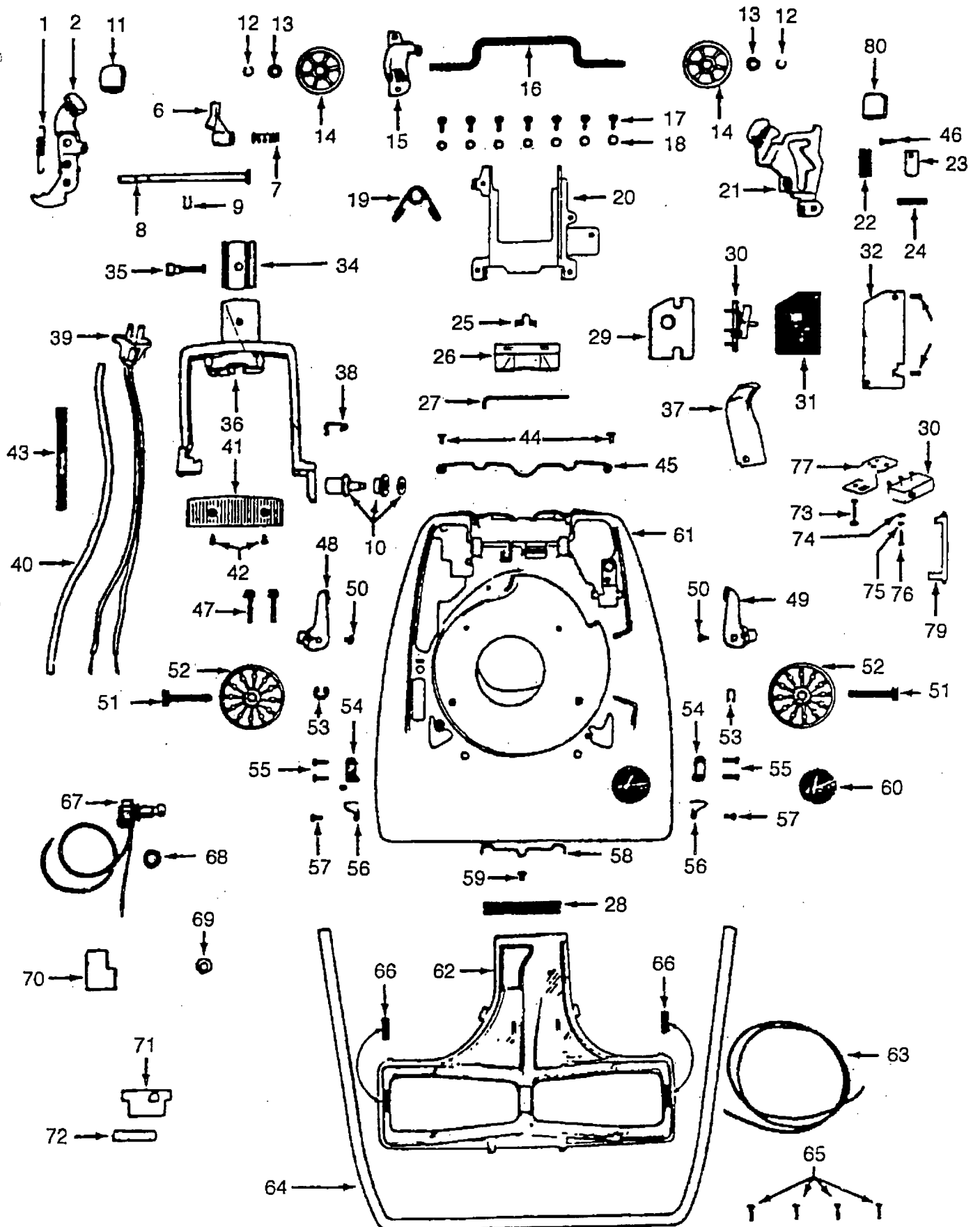
Model 589, 593, 719, 728, 1010, 1020, 1030, 1060, 1070, 1076, U4001, U4017, U4019, U4021, U4031, U4033, U4035, U4047, U4053, U4069, U4075, U4077, U4087, U4089, U4091, U4093, U4093-001

| No. | No. | | Ref. No. | Part No. | Description |
|-----|----------|--------------------------------------------|----------|----------|-------------------------------------------------------------------------------------|
| 1 | 46930AZ | +* Screw | | | |
| 2 | 42934002 | Motor Bearing - Top | | | |
| 3 | 45533AY | +* Screw | 34 | 47195 | + Screws |
| 4 | 38755004 | Ventilating Fan | 35 | 161649JM | Motor Hood - 1060, 1070, 1076 |
| 5 | 36315003 | Motor Brush Holder Insulator | | 161872CL | + Motor Hood - 728 |
| 6 | 47318012 | Motor Brush | | 42251324 | Motor Hood - U4035 |
| 7 | 161535 | * Screw | | 161879CK | + Motor Hood - 593 |
| 8 | 19857 | + Motor Case | | 162182GX | + Motor Hood - U4019 |
| 9 | 44765085 | Armature | | 162719JM | Motor Hood - 1010, 1020, 1030, U4021, U4031, U4077 |
| 10 | 45118 | * Bolt | | 167364JM | + Motor Hood - 589, 719, U4001, U4017, U4047, U4053, U4069, U4089 |
| 11 | 14062 | * Lock Washer | | | |
| 12 | 15673 | * Nut | | | |
| 13 | 48969 | * Wire Nut | | 42251012 | Motor Hood - CD - U4091, U4093, U4093-001 |
| 14 | 45412014 | + Field - Two Speed | | 42251004 | + Motor Hood - JE - U4087 |
| | 45412015 | Field - Single Speed - U4001, U4077, U4089 | | 42251006 | + Motor Hood - EW - U4075 |
| 15 | 14197 | +* Terminal | | 42251151 | + Motor Hood - U4033 |
| 16 | 27479307 | Lead Wire Tie | | | |
| 17 | 14320 | * Terminal | | | |
| 18 | 42193006 | Motor Casing - Lower Half w/Sealant | | | |
| 19 | 27317307 | Lamp - 15 Watt | | | |
| 20 | 17016 | Lamp Socket | | 43574133 | Motor Comp. - U4001, U4077, U4089 |
| 21 | 45355 | + Screw | | 43574140 | Motor Comp. |
| 22 | 19829 | Motor Bearing - Lower | | 43574045 | + Motor Comp. - U4075, U4093, U4093-001 |
| 23 | 163059 | + Fan Spacer | | 164684 | + Insulation Shield |
| 24 | 169241AW | * Washer | | 68564063 | Sealant (3 oz. tube) Seal for Motor Casing (Lower Half) |
| 25 | 21772501 | * Screw | | | |
| 26 | 19772 | * Washer | | 31162004 | * Washer - Heat Insulation (Use in conjunction w/Item 29 #3875501 0) |
| 27 | 45517 | * Lead Wire Holder | | | |
| 28 | 45251 | Nut | | 40300014 | Armature Spacer/Split Sleeve Kit (For use with Lower Mtr. Brgs. with 4 Attachment H |
| 29 | 38755011 | Fan - Polycarbonate (Black) | | | |
| 30 | 38532009 | Motor Pulley | | | |
| 31 | 47232 | Gasket (Use w/Item 18 - 11062) | | | |
| 32 | 162954CA | Lens - 1060, 1070, 1076, U4019, U4033 | | | |
| | 22631CA | + Lens - 719, 728 | | | |
| 33 | 16125AY | + Capserts | | | |

ITEMS NOT ILLUSTRATED

Main Casting

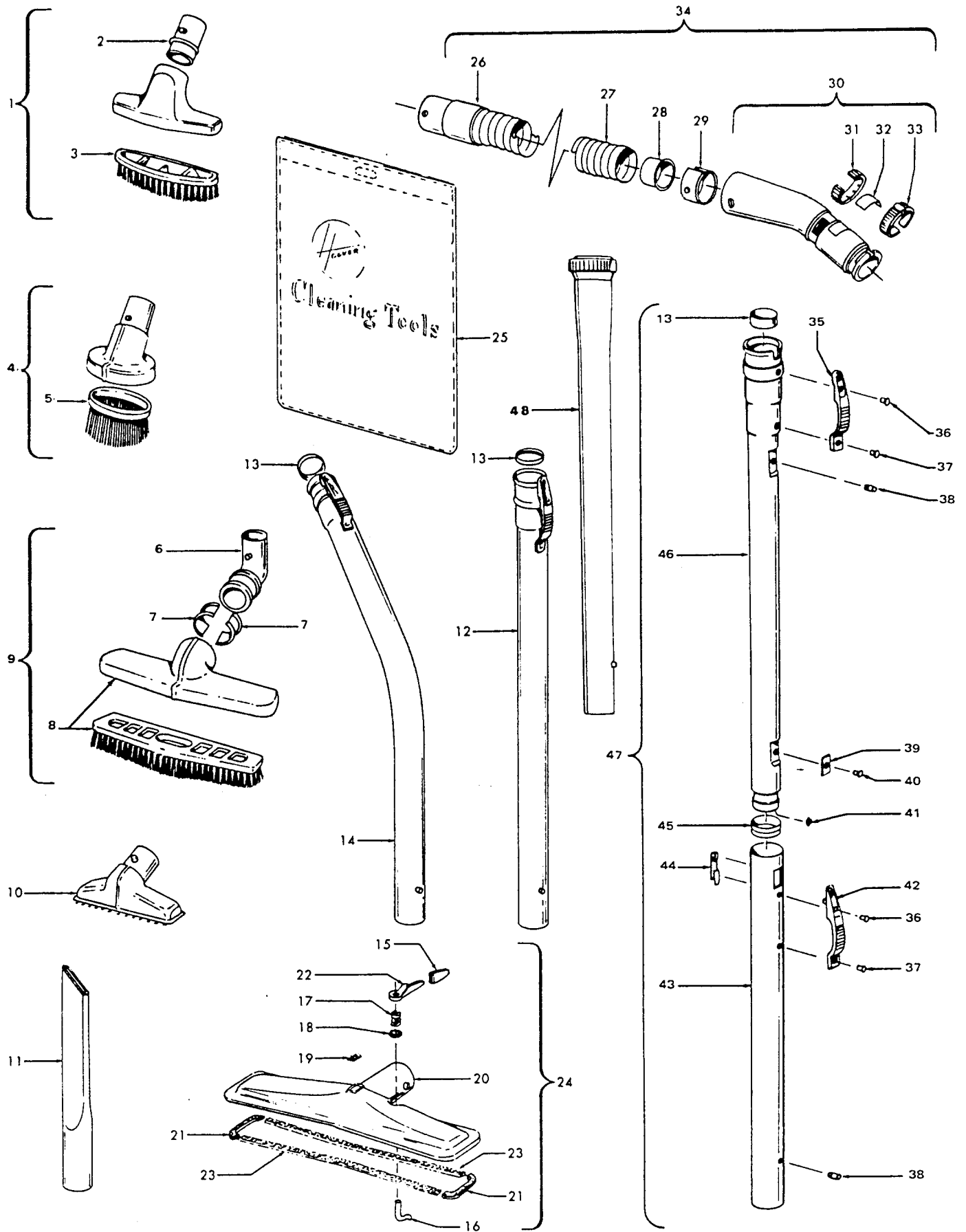
Models 31, 32, 33, 34, 35, 36, 65, 66, 67, 68, 69, 70, 564, 574, 584, 704, 714, 1010, 1060



Main Casting

Models 31, 32, 33, 34, 35, 36, 65, 66, 67, 68 69, 70, 564, 574, 584, 704, 714, 1010, 1060

| Ref. No. | Part No. | Description | Ref. No. | Part No. | Description |
|----------|----------|----------------------------------|----------|----------|-------------------------------------|
| 1 | 12984AY | Nozzle Adj. Lever Spring | 44 | 12991 | +* Rivet |
| | 47562JM | + Nozzle Adj. Lever & Pad | 45 | 34344FW | + Bag Flange Retainer Spring |
| 6 | 19907 | Bag Flange Clamp Lever | 46 | 47637 | +* Screw |
| 7 | 48409FW | Spring | 47 | 47195 | + Screw |
| 8 | 47247 | + Bail Shaft | 48 | 35446003 | Bottom Plate Latch - RH |
| 9 | 12979 | Bail Shaft Lock Ring | 49 | 35446005 | Bottom Plate Latch - LH |
| 10 | 11735 | Roller Detent Assem. | 50 | 12456 | +* Rivet |
| 11 | 34315A | + Foot Pad | 51 | 47457AY | Front Wheel Shaft |
| 12 | 17207AZ | * Lock Ring | 52 | 34791AG | Front Wheel |
| 13 | 21312772 | * Washer | 53 | 13730 | * Lock Ring |
| 14 | 38521041 | Rear Wheel | 54 | 34355002 | Agitator Support Plate |
| 15 | 34205AW | + Rear Wheel Shaft Stop Plate | 55 | 48422 | * Rivet |
| 16 | 34351FW | Rear Wheel Shaft | 56 | 47259AY | Spring |
| 17 | 47637 | +* Screw | 57 | 32243001 | * Rivet |
| 18 | 14062 | * Lock Washer | | 48423 | +* Rivet 31, 65,66,67 |
| 19 | 34353 | Rear Wheel Support Spring | 58 | 34439 | Cleaner Bottom Plate Spring |
| 20 | 36435016 | + Converter Housing | 59 | 161882 | +* Rivet |
| 21 | 43137036 | Handle Control Lever | 60 | 35053 | + Medallion - Clip On |
| 22 | 12559FW | Handle Control Lever Spring | | 51661008 | + Medallion - Stick On |
| 23 | 34665007 | Pivot Pin Retainer | 61 | 42242064 | Main Body Assem. - Common |
| 24 | 47450AY | Handle Control Lever Pivot Pin | 62 | 167238 | + Cleaner Bottom Plate |
| 25 | 45191 | Converter Valve Spring | 63 | 31718001 | Cleaner Bottom Plate Gasket |
| 26 | 34350 | Converter Valve | 64 | 16974JM | Furniture Guard - 1 060 |
| 27 | 17465AY | + Converter Valve Shaft | | 17458JM | + Furniture Guard - 1 01 0 |
| 28 | 47237 | + Converter Valve Felt | | 16974JM | Furniture Guard - Long |
| 29 | 48385 | + Speed Control Switch Insulator | | 35040A | + Furniture Guard - Short |
| 30 | 34962 | + Speed Switch - Under Casting | 65 | 12997AW | * Furniture Guard Rivet |
| | 13890 | + Speed Switch - Under Hood | 66 | 34111001 | * Support Pads |
| 31 | 22627 | + Speed Control Switch Housing | 67 | 28212017 | Switch - 31 |
| 32 | 16968 | + Patent Plate | 68 | 12626 | +* Nut |
| 33 | 21465314 | * Screw | 69 | 12226 | + Strain Relief - 31 |
| 34 | 35463002 | Handle Retainer Plate | 70 | 48767 | + Handle Stop - 31 |
| 35 | 48294AW | Handle Clamp Bolt & Nut | 71 | 48805 | + Strain Relief Mounting Plate - 31 |
| 36 | 41416030 | Bail - All except 31 | 72 | 48807 | + Lead Wire Cover Tube - 31 |
| | 35064JM | + Bail - 31 | 73 | 14279 | +* Screw |
| 37 | 13941 | + Lead Wire Protector | 74 | 14199 | +* Nut |
| 38 | 39442030 | + Cord Clip | 75 | 14287 | +* Washer |
| 39 | 23296AG | Handle Socket Plug Assem. | 76 | 12892 | * Screw |
| 40 | 31727023 | Cord Cover Tube | 77 | 18589 | + Switch Bracket |
| 41 | 34192 | Bail Grip | 79 | 18588 | + Switch Actuator |
| 42 | 166648AW | +* Bail Grip Screw | 80 | 38426080 | Foot Pad |
| 43 | 38313023 | Motor Lead Spring | | | |



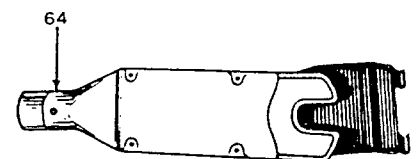
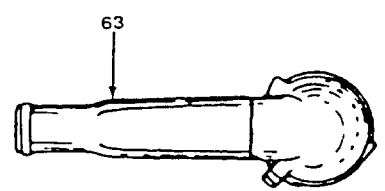
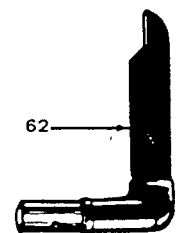
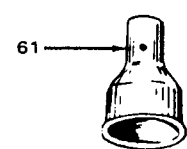
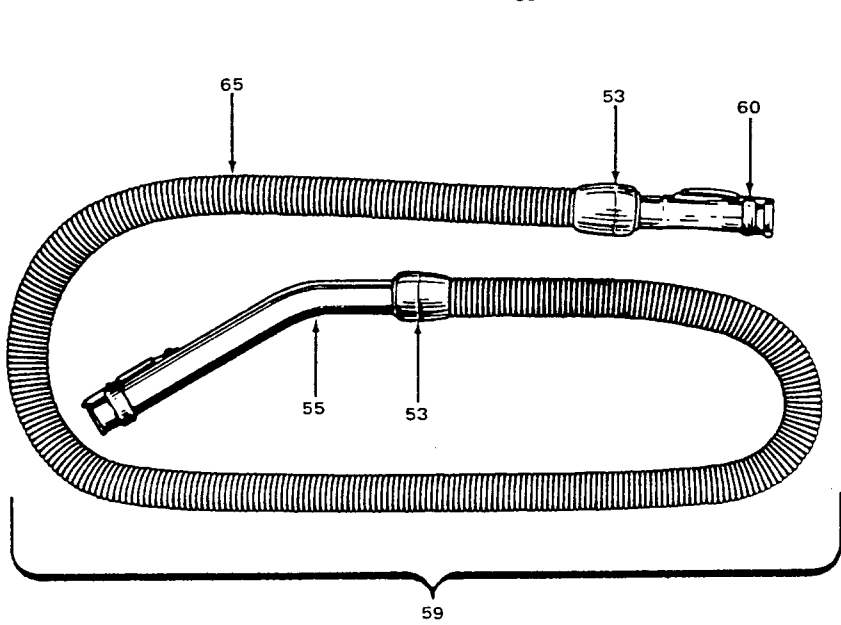
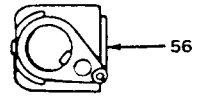
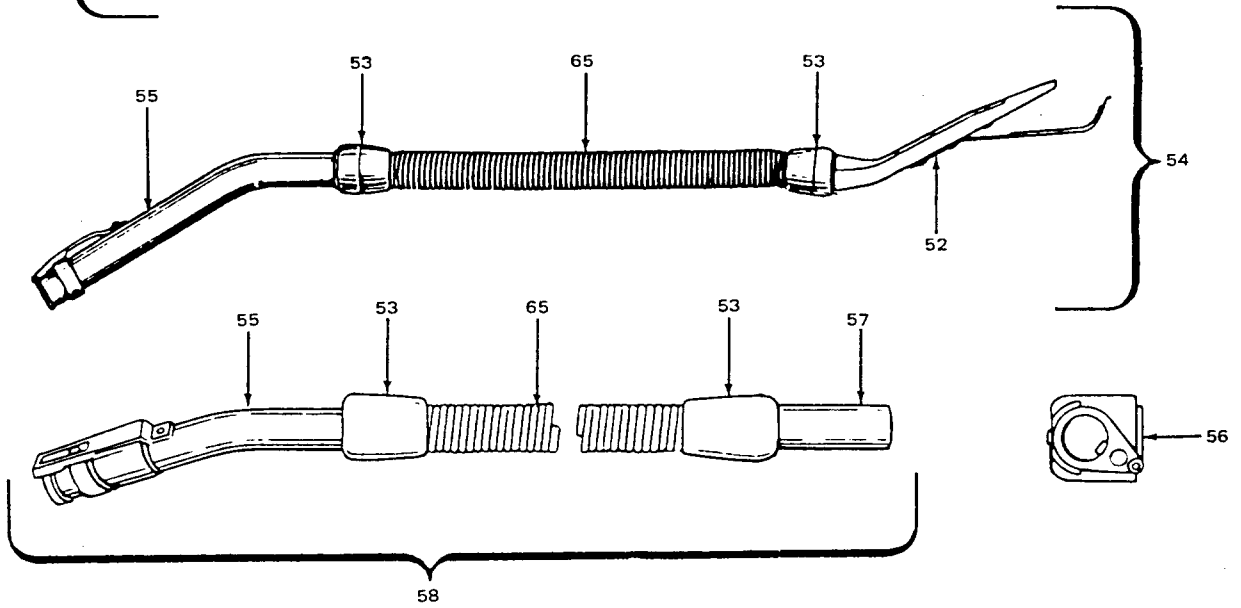
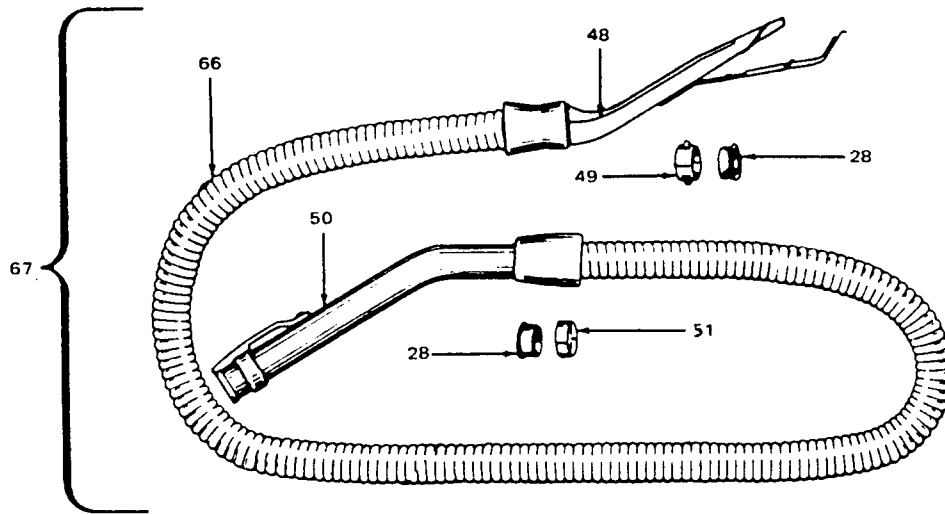
Cleaning Tools

| Ref. No. | Part No. | Description |
|----------|----------------------------------|------------------------------------------------------------------------------------------|
| 1 | 161852JM 43414016 | + Furniture Brush Furniture Brush - AG |
| 2 | 13149JM | Nozzle Connector Tube (Use w/ 161852JM) |
| 3 | 13254BZ | + Furniture Brush Back (Use w/161852JM) |
| 4 | 161851JM 43414064 43414145 | + Dusting Brush Comp. Dusting Brush (One Piece) (Std Fit) Dusting Brush - Friction |
| | 13263BZ | + Brush (Use w/ 61851 JM) |
| 6 | 13154JM | + Floor Brush Swivel & Collar (Use w/13077JM) |
| | 38644040 | Swivel Connector (Use w/43414073) |
| 7 | 13276 | Floor Brush Swivel Bushing (Use w/13154JM) |
| | 33712007 | Split Ring (Use w/38644040) |
| 8 | 13155JM | + Floor Brush Nozzle & Brush (Use w/ 13077JM) |
| | 13077JM | + Floor Brush |
| | 43414073 | Floor Brush - (Standard Fit) |
| | 43414135 | Floor Brush - AAP (Friction Fit) |
| 10 | 43414057 | Furniture Nozzle - (Standard Fit) |
| | 38614029 | Furniture Nozzle - AG - (Friction Fit) |
| 11 | 38617017 | Crevice Tool - AG - (Standard Fit) |
| | 38617024 | Crevice Tool |
| 12 | 43453027 | Extension Tube (Standard Fit) |
| 13 | 12845JM | Gasket |
| 14 | 43466040 | Ext. Tube - Curved (Short) (Std. Fit) |
| 15 | 34207AG | Handle Control Foot Pad |
| 16 | 33126001 | + Latch - AW |
| 17 | 38311006 | + Spring |
| 18 | 161549 | + Washer |
| 19 | 34121001 | Pad - Felt |
| 20 | 43482097 | Converter Body Assem. |
| 21 | 34253003 | + Seal - End |
| 22 | 38452026 | + Latch Lever |
| 23 | 34113005 | + Seal - Side |
| 24 | 43482097 | Converter Body Assem. Conversion - (Standard & Friction Fit) |
| 25 | 58544004 | + Cleaning Tool Bag |
| 26 | 32288007 | Hose Connector (Use w/Continuous Convolution Hose) - (Standard Fit) |
| | 32288003 | Hose Connector - JM (Use w/Circular Ribbed Hose) - (Standard Fit) |
| | 32288004 | Hose Connector - AAP (Use /Circular Ribbed Hose) - (Std. & Friction Fit) |
| 27 | 43434203 38671001 | Hose Complete - AAP Hose Less Ends - JM (Circular Ribbed) - (Std. Fit Ends) |
| | 38671028 | + Hose Less Ends - AAP (Circular Ribbed) - (Std. Fit Ends) |
| | 38671030 | + Hose Less Ends (Circular Ribbed) - (Friction Fit Ends) |
| 28 | 32156010 | Hose Sleeve - (Standard Fit Hose) |
| 29 | 36116006 | Hose Connector Collar (Use w/ Continuous Convolution Hose) (Standard Fit Hose) |
| | 36171025 | Hose Connector Collar (Use w/Circular Ribbed Hose) - (Standard Fit Hose) |

Convertible

| Ref. No. | Part No. | Description |
|----------|----------------------|-----------------------------------------------------------------------------------------------------------------|
| 30 | 43466044 | Hose Connector Curved w/Rings-AAP (Use w/Continuous Convolution Hose) (Std. Fit) |
| | 43466055 | + Hose Connector Curved w/Latch Ring- JM (w/o Suction Regulator) (Use w/ Circular Ribbed Hose) - (Standard Fit) |
| | 43466058 | Hose Connector Curved w/Latch Ring AAP (w/o Suction Regulator) - Use w/Circular Ribbed Hose - (Std. Fit) |
| | 39454059 | Hose Connector - AAP - |
| 31 | 38711006 | Suction Control Ring - (Standard) |
| 32 | 51869006 | Hose Connector Label - (Standard) |
| 33 | 36153009 | Latch Ring - MV - (Standard) |
| 34 | 43434203 | Hose Comp. - Front Conversion (Continuous Convolution) (w/o Suction Regulator) - (Standard Fit) |
| | 43434209 | Hose Comp. - Front Conversion - JM (Circular Ribbed) (w/o Suction Regulator) - (Standard Fit) |
| | 43434210 | Hose Comp. - Front Conversion - AAP (Circular Ribbed w/o Suction Regulator) (Standard Fit) |
| | 43434225 | + Hose Comp. - AAP - (Friction Fit) |
| 35 | 12846AG | Tube Latch |
| 36 | 12772 | +* Rivet |
| 37 | 12783 | +* Rivet |
| 38 | 12763AW | * Rivet |
| 39 | 12824 | + Reinforcement Plate |
| 40 | 12600 | Rivet |
| 41 | 21312704 | * Washer |
| 42 | 36152018 | Tube Latch - Outer |
| 43 | 12597 | Extension Tube - Outer |
| 44 | 12589 | Extension Tube Guide |
| 45 | 12844JM | + Gasket - Inner |
| 46 | 12598 | + Extension Tube - Inner |
| 47 | 43458001 | Extension Tube - (Standard Fit) |
| 48 | 3863801P 38634078 | Extension Tube - Poly - AG Extension Tube (Polystyrene) - AAP - (Friction Fit) |

Standard Fit Tools ... w/Retention Pin
Friction Fit Tools ... w/o Retention Pin



Cleaning Tools

| Ref. No. | Part No. | Description |
|----------|----------|-----------------------------------------------------------------------|
| 48 | 13147JM | + Converter (Std. - Rear Conversion) |
| 49 | 12615BZ | Hose Converter Collar |
| 50 | 43466044 | Hose Grip - AAP - SC |
| 51 | 12704BZ | Hose Grip Collar |
| 52 | 23473JM | + Converter (Except 63, 64) (Use w/ Hose 48617) |
| 53 | 23393JM | Hose Grip |
| 54 | 12864JM | + Hose Comp. - Ultraflex (Equipped w/Converter 23473) |
| 55 | 13143 | Hose Tube Curved |
| 56 | 43452503 | Converter - 1330, 1348, 1348-002 |
| 57 | 17959A | + Hose Connector Tube - 1330 (Metal) |
| | 641398LL | + Hose Connector Tube - 1348, 1348-002 (Plastic) |
| 58 | 19633JM | + Hose Comp. - Ultraflex - 1330, 1340, 1348, 1348-002 |
| 59 | 22671JM | + Hose Comp. - Ultraflex (Commercial) Use w/Converter 34202 or 35190) |
| | 23007A | + Hose Comp. - Ultraflex (Use w/Converter 35447) |

Convertible

| Ref. No. | Part No. | Description |
|----------|----------|------------------------------------------------------|
| 60 | 34083 | + Hose End - 14, 63, 64 |
| | 34355 | + Hose End Short (Commercial) |
| 61 | 34984A | + Blower (Use w/Hose 22671) |
| 62 | 35447 | + Converter - Special - 63, 64 |
| 63 | 35190 | Converter (Use w/Hose 22671) |
| 64 | 34202JM | + Converter (Use w/Hose 22671) |
| 65 | 48617JM | + Hose Less Ends |
| 66 | 43434213 | Hose Less Ends |
| 67 | 12864JM | + Hose Assem. Comp. - Tufflex (Std. Rear Conversion) |

ITEMS NOT ILLUSTRATED

| | |
|----------|-------------------------------|
| 161728 | + Turbine Roto - Power Brush |
| 169460JM | + Ultraflex Hose - 50' length |
| 43431011 | + Tufflex Hose - 50' length |