

Shell

Models 1100, 1110, 1118, 1120

Ref. No.	Part No.	Description
1	14922JM	Bag Housing - Rear Half
2	165836JM	+ Bag Housing - Front Half - 1100,1110, 1118
3	13411C	+ Exhaust Cover - 1100
	37257049	+ Exhaust Cover
4	38411026	+ Suction Valve Knob
5	13301	Washer
6	14507	+ Valve Bottom Seal
7	38711010	+ Valve
8	641762	+* Screw
9	17743	+ Capsert
10	12076	+ Valve Side Seal
11	12557T	+ Valve Cover - 1100
	14903BU	+ Valve Cover - 1110, 1118, 1120
12	12516	Valve Cover Gasket
13	12556	+* Seal
14	21447003	Screw
15	41412004	Handle Bracket & Latch - 1100, 1110, 1118
	12112HH	+ Handle Bracket & Latch - 1120
16	12111	+ Screw
17	162008JM	Latch Cover - 1100,1100, 1118, 1120
18	21781402	Screw - Hex Head
19	12995	Hex Nut
20	12695	+ Handle Plug Comp.
21	13181	+ Handle Plug Support
22	12358	Diffuser
23	161334	+ Muffler
24	12155	Bag Housing Gasket
25	12156	Gasket

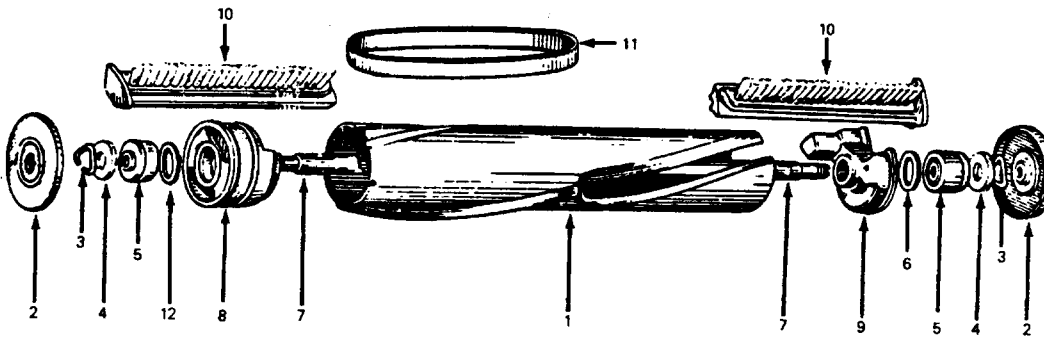
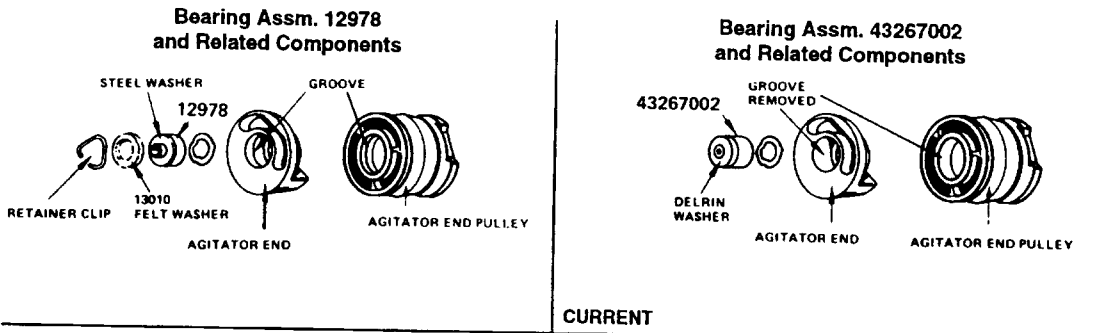
Ref. No.	Part No.	Description
26	12160	+ Motor Housing Gasket - Upper
27	12535	+ Motor Housing Gasket - Lower
28	12030	+ Strain Relief Bushing
29	160356	Terminals
30	12119	Motor Support Bracket
31	12146	Screw
	15185	+ Screw for Capsert
32	12143	+ Hinge Shaft
33	12144	Hinge Shaft Plate
34	12121	Secondary Filter Retainer
35	12122	Secondary Filter
36	12662	Muffler
37	12860	+* Screw
38	12500T	+ Motor Cover - 1100, 1110, 1118
	12500JM	+ Motor Cover - 1120
39	43431195	+ Hose - 1100, 1110
	43431058	Hose - 1118, 1120
40	32156010	Hose Sleeve
41	38638008	Hose Adapter
42	4010005D	Throw Away Bag Assem. (3 Pk.)
	4010006D	+ Throw Away Bag Assem. (9 Pk.)
43	14373T	+ Full Bag Indicator - All Models
44	13770JM	+ Hose End - All Models
45	15185	+ Screw - for Capsert
46	21447003	* Screw - for Capsert
47	13041	+ Hose Adapter
48	162007	Screw

ITEMS NOT ILLUSTRATED

161122 +*Clean Filter Sticker

Agitator

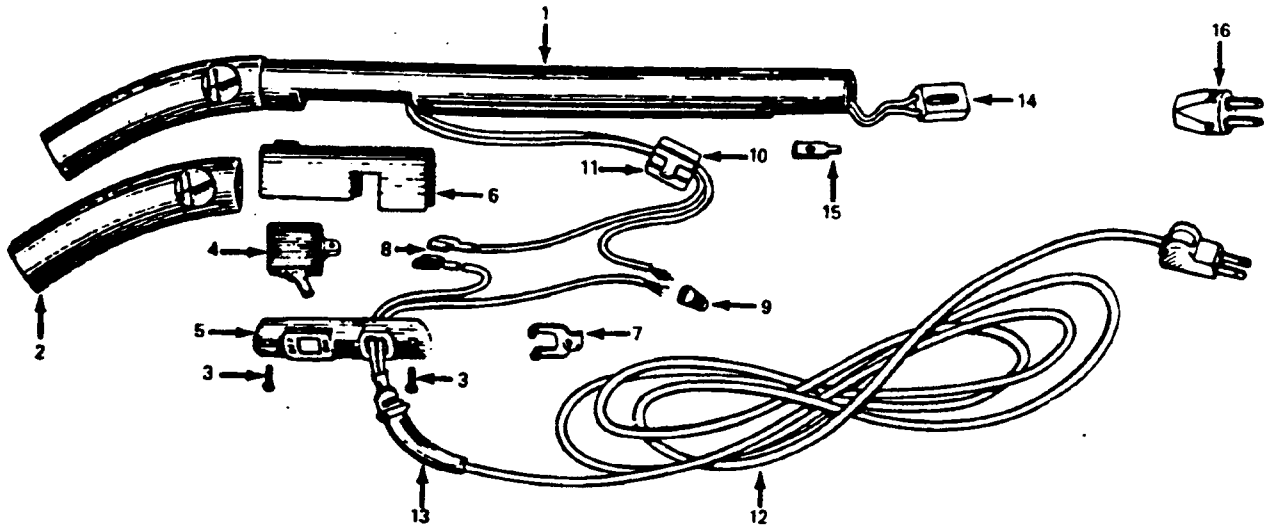
Models 1100, 1110, 1118, 1120, 1130, 1136, 1140
1149, 1151, 1157, U5007-001, U5015, U5017



Ref. No.	Part No.	Description
1	160649HE	Agitator Comp.
2	12985AY	Thread Guard
3	12987	+* Clip
4	13010	* Felt Washer
5	12978	Agitator Bearing (2) (Use w/Items 3,4)
	43267002	Bearing (2) (Current)
6	21347003	* Thrust Washer
7	13174	Agitator Shaft
8	12099	Agitator End Pulley - 1120
	160538	Agitator End Pulley
9	12241	+ Agitator End - 1100, 1110, 1117, 1120
	160542	Agitator End
10	12998 BZ	Agitator Brush - Nylon - 1100, 1110, 1118, 1120, Early 1130, 1140
	47190	Agitator Brush - Horse Hair - 1100, 1110, 1118, 1120, Early 1130, 1140
	160646BZ	Agitator Brush - Reverse Helix - 1130, 1136, 1140, 1149, 1151, 1157, U5007, U5007-001, U5015, U5017
11	12471AG	Belt
12	17396	* Rubber Thrust Washer

Handle

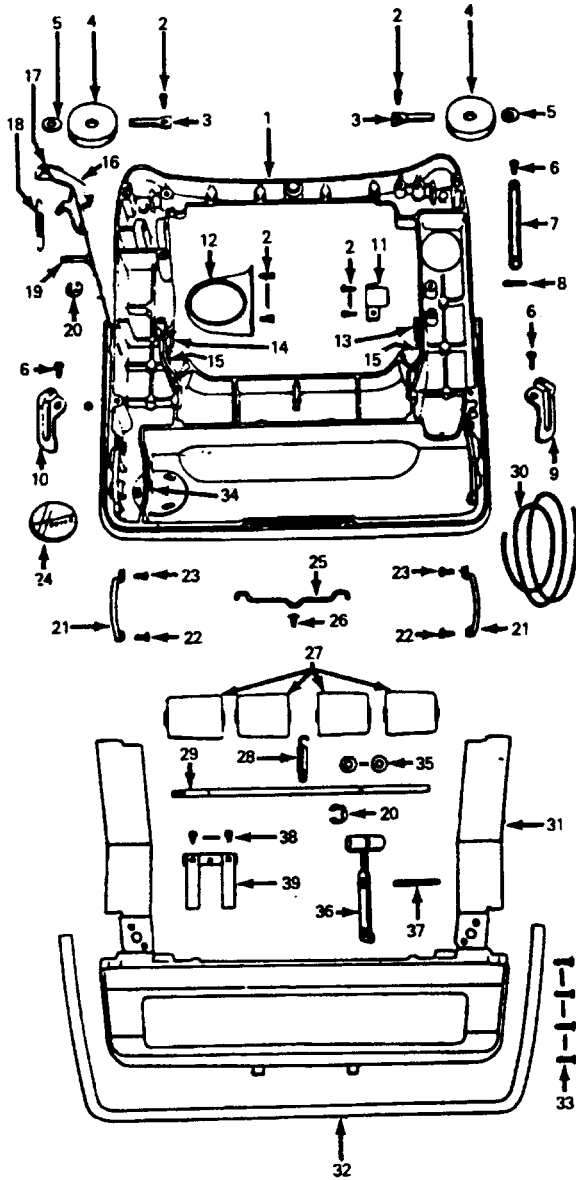
Models 1100, 1110, 1118, 1120, 1130, 1136, 1140
1149, 1151, 1157, U5007-001, U5015, U5017



Ref. No.	Part No.	Description
1	33225010	Handle Shell - JM
	164029AR	+ Handle Comp.
	48652002	+ Handle Comp. - U5017
	12230DL	+ Handle Grip
	12230JM	+ Handle Grip
3	21465314	* Screw
4	12971	Switch
5	12973AW	Switch Cover Plate
	12973DL	+ Switch Cover Plate - 1136, U5007
	12973DN	+ Switch Cover Plate - 1149, 1157
6	12272	+ Insulator & Bushing
7	12988AW	+* Cord Protector Retainer
8	160356	* Terminals
9	48969	* Solderless Connector
10	12261	+ Strain Relief Lock
11	12260	+ Strain Relief Body
12	46363195	Cord - 1100, 1110
13	31969AG	Cord Protector
14	12697HE	Handle Receptacle
15	12079	+* Nut Special
16	35380	Service Plug

Main Casting

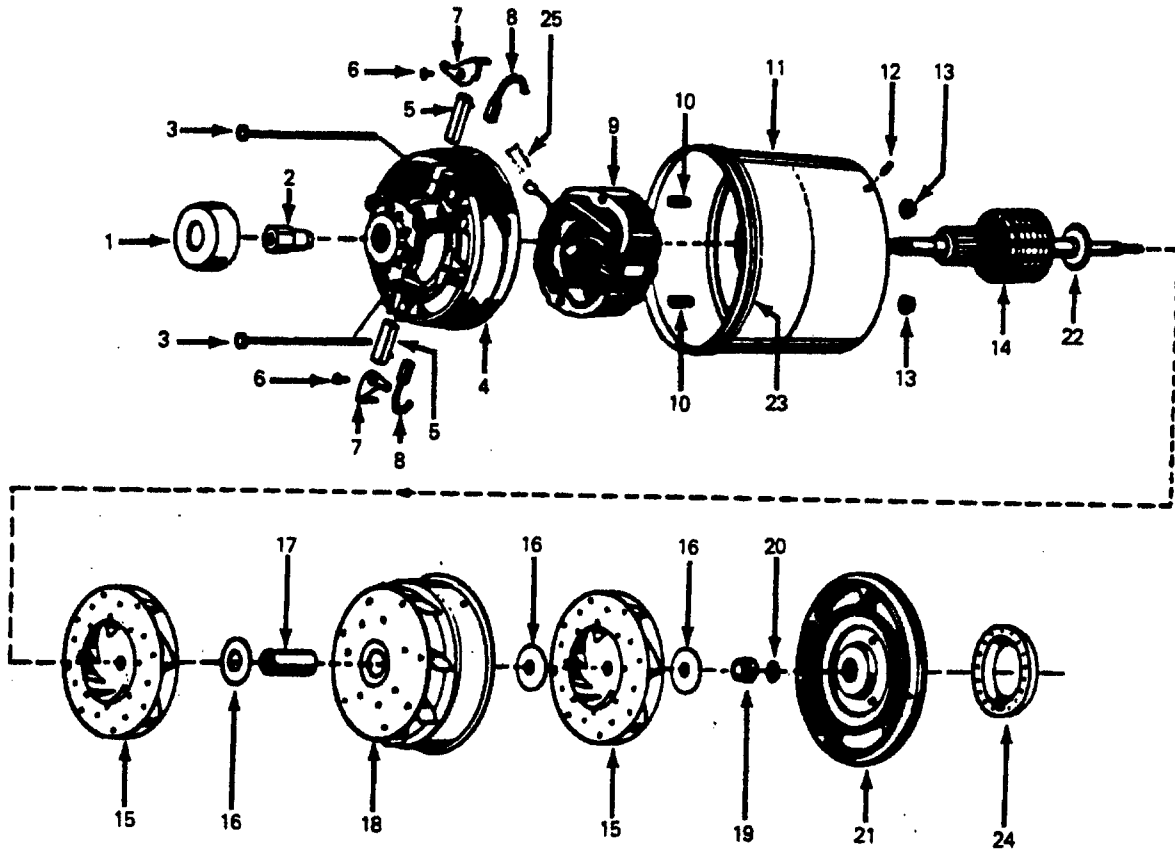
Models 1130, 1136, 1140, 1149, 1151, 1157,
U5007, U5007-001, U5015, U5017



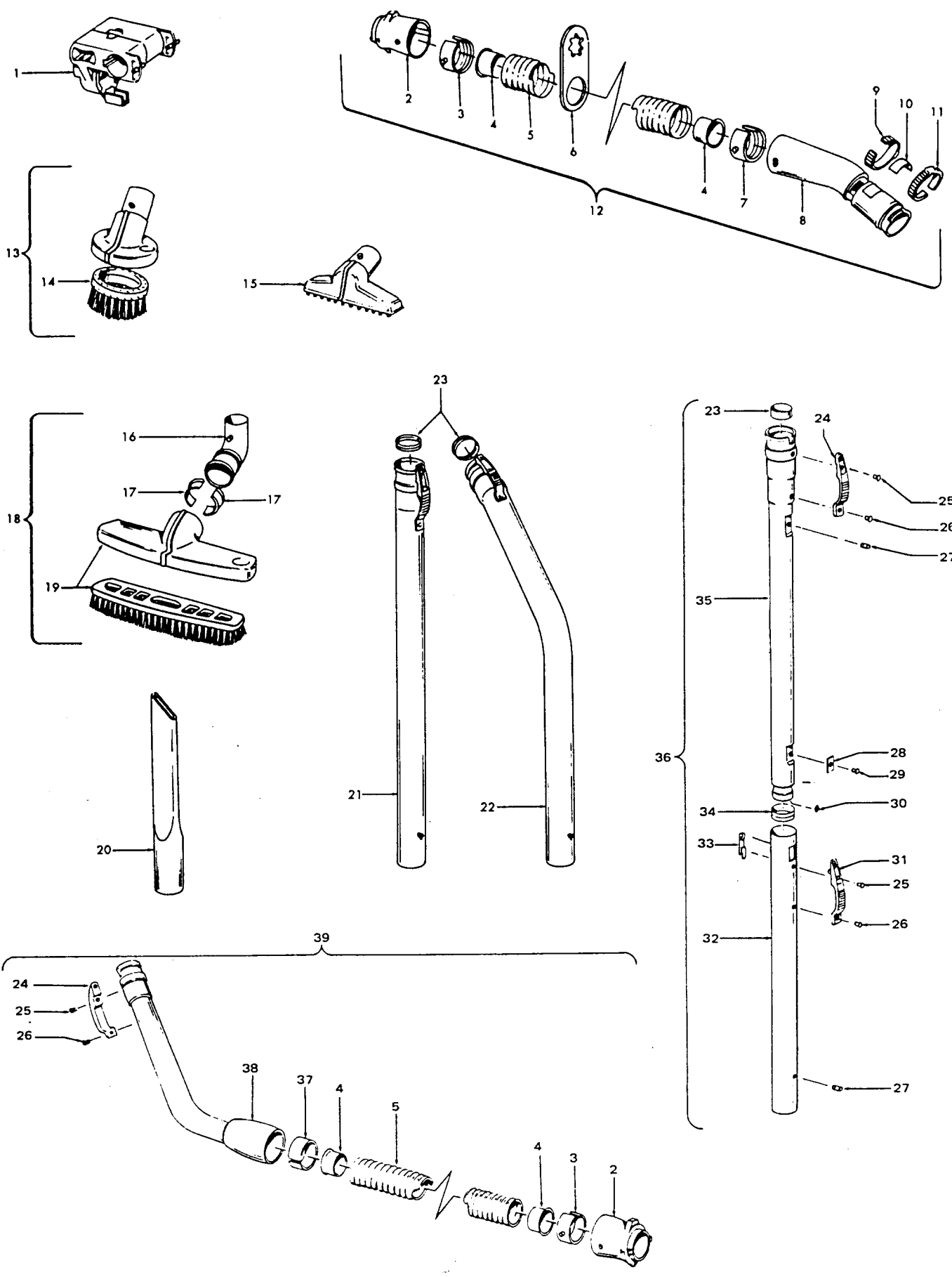
Ref. No.	Part No.	Description
	161930JM	+ Main Casting
2	12146	* Screw
3	12098	Rear Wheel Shaft
4	32175003	Rear Wheel
5	21312772	* Washer
6	12150	+* Screw
7	12659	Handle Balance Spring
8	12171	+ Handle Support Spring Pin
9	12148	Bottom Plate Latch - R.H.
10	12149	Bottom Plate Latch - L.H.
11	12123	Bearing
12	12120	+ Trunnion Bearing
13	12095AY	+ Carrier Wheel Arm - R.H.
14	12096AY	+ Carrier Wheel Arm - L.H.
15	12145	+* Rivet
16	12136JM	+ Handle Control Lever
17	38426072	+ Foot Pad - JM
18	12984AY	Spring
19	12102	Handle Control Lever Pin
20	13306	* Lock Ring
21	12128AY	Agitator Clamp Spring
22	12133	+* Rivet
23	12132	+* Rivet
24	51661005	Medallion
25	12138FW	Bottom Plate Spring
26	13024	* Rivet
27	17923PY	Carrier Wheel
28	161603	+ Tension Spring
29	161595AY	+ Carrier Wheel Shaft
30	12630	+ Bottom Plate Gasket
31	42245026	+ Bottom Plate - Common
32	12152JM	+ Furniture Guard
	12152AR	+ Furniture Guard
33	12997AW	* Rivet
34	12173	* Agitator Pulley Seal
35	161574	+* Washer
36	161634JM	+ Adjustment Lever
37	161576	+ Adjustment Lever Pin
38	161585	+ Screw
39	162928	+ Retainer Spring & Plate

Motor

Models 1100, 1110, 1118, 1120, 1130, 1136, 1140
1149, 1151, 1157, U5007-001, U5015, U5017



Ref. No.	Part No.	Description	Ref. No.	Part No.	Description
	12054	+ Motor Comp.	15	43566003	Fan
1	12090	Motor Mount - LH	16	21312700	Washer
2	12009AY	Nut	17	170055	+ Fan Spacer
3	12022	Field Lamination Bolt	18	18656	Interstage Assem.
4	12059	Motor Brush Housing & Brg. Assem.	19	12000	Fan Nut
5	12029	Motor Brush Holder	20		Not Applicable
6	21447028	*+ Screw	21	12038	+ Motor End Cap & Brg. Assem.
7	12033	+ Motor Brush Retainer	22	12003	Fan Spacer
8	12031	Motor Brush Assem.	23	12154	+ Motor Gasket
9	167677	+ Field Assem.	24	12089	Motor Mount - RH
10	12854	Spring	25	161737	+ Insulating Pod
11	12050	Motor Casing			
12	12007	* Pin			
13	21651037	+ Nut			
14	167673	Armature			



Cleaning Tools

Dial-A-Matic/Power Drive

Ref. No.	Part No.	Description
1	36433042	Tool Storage Rack - JM
2	12593JM	Hose Connector
3	12615BZ	Hose Connector Collar
4	32156010	Hose Sleeve
5	43434172	Hose Comp. (w/o Suction Regulator)
6	34334010	+ Hose Storage Loop
7	36116006	Hose Connector Collar - JM
8	43466044	Hose Grip - AAP
9	38711006	Suction Control Ring
10	51869006	Hose Connector Label
11	36153009	Latch Ring
12	43434149	+ Hose Comp. - JM - U5909
	43434172	Hose Comp. (w/o Suction Regulator)
13	161851JM	+ Dusting Brush Comp.
	43414064	Dusting Brush (One Piece)
14	13263BZ	+ Brush (Use w/l 61 851 JM)
15	43414057	Furniture Nozzle Assem.
16	13154JM	+ Floor Brush Swivel & Collar (Use w/13077JM)
	38644040	Swivel Connector (Use w/43414073)
17	13276	Floor Brush Swivel Bushing (Use w/13154JM)
	33712007	Split Ring (Use w/38644040)
18	13077JM	+ Floor Brush Comp.
	43414073	Floor Brush Comp.
19	13155JM	+ Floor Brush Nozzle & Brush
20	38617017	Crevice Tool
21	43453027	Extension Tube

Ref. No.	Part No.	Description
22	43466040	Extension Tube - Curved
23	12845JM	Gasket
24	12846AG	Tube Latch
25	12772	+* Rivet
26	12783	+* Rivet
27	12763AW	* Rivet
28	12824	+ Reinforcement Plate
29	12600	* Rivet
30	21312704	* Washer
31	36152018	Tube Latch - Outer
32	12597	Extension Tube Assem. - Outer
33	12589	Extension Tube Guide
34	12844JM	+ Gasket - Inner
35	12598	+ Extension Tube Assem. - Inner
36	43458001	Extension Tube Assem. Comp.
37	12704BZ	Hose Grip Collar
38	43468018	+ Hose Tube Curved
39	43434172	Hose Comp. (1121/1131)

ITEMS NOT ILLUSTRATED

58544004	+ Cleaning Tool Bag
169460JM	+ Ultraflex Hose - 50' length
43431011	+ Tufflex Hose - 50' length
43414016	Furniture Brush - AG