

# Convertible

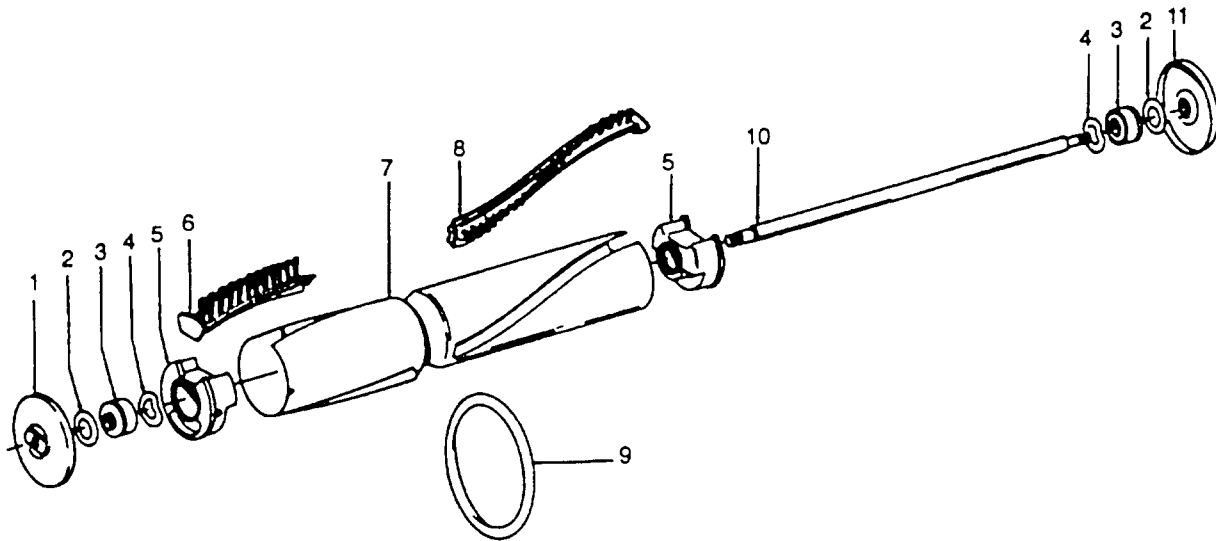
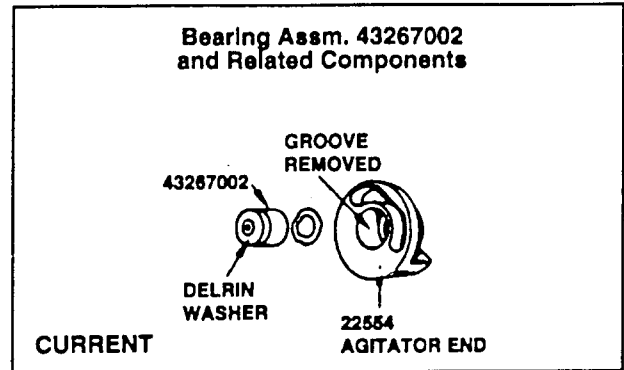
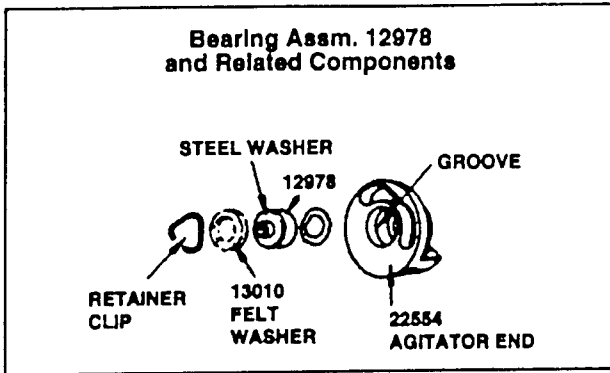
# Model 1330, 1340, 1348, 1348-002, U1025

Ref. No.	Part No.	Description
1	17351--	+ Outer Bag Comp. - 1330
	43678150	+ Outer Bag Comp. - TL/TC - U 1 025
	15976AW	+ Jacket Support Spring
3	37911041	+ Header Cap - JT - U1 025
4	4010003C	Throw Away Bag (4-Pk.)
5	43686001	Outer Bag
	43677153	+ Outer Bag - TL/TC
6	42330	+ Support Hook - 1340, 1348, U1 025
7	626838	+ Handle -Upper - 1330, 1348-002
	161127JM	+ Handle - Upper - 1340, 1348, U1025
8	17571JM	+ Attachment Cord
9	48294AW	Handle Bolt & Nut
10	12910	Attachment Cord Clamp - 1340, 1348, U1025
11	162114	* Screw - Machine (Standard Thread)
	32437503	+ Screw - Machine (Metric Thread) Not Applicable - 1330
12	626832	+ Handle - Lower - 1330, 1348-002
	161157JM	+ Handle - Lower - 1340, 1348, U1025
13	46550AG	Bag Retainer
14	613798	Support Tube
	161541--	Support Tube - U1025
15	17741A	Bellows - 1330
	38675510	Bellows - U1025
	38675503	+ Bellows - VN
16	626851HH	+ Cord Retainer
	36172522	+ Cord Retainer - PT - 1330, U 1 025
17	17957	+ Collar - 1330
18	614099	+ Screw - 1330
19	808477	+* Clip - 1330
20	17958	+ Bag Flange - 1330
21	603746	+ Bag Flange Gasket - 1330
22	708447	+ Spring - 1330
23	36215503	+ Cord Protector - 1330, 1348-002
24	626662	+ Cord Clip - 1330, 1348-002
25	815348	+* Clip - 1330, 1348-002
26	613801	Spring - 1330, 1348-002
27	613802AY	* Bag Support Lever Shaft - 1330, 1348-002
28	613800	+ Bag Support Lever - 1330, 1348-002
29	626623	+ Handle Grip - 1330, 1348-002
30	17948	+* Screw - Self Tapping (2)
31	12227	Insulated Terminal (3) Not Applicable - 1348-002
	-	
32	636670	+ Switch
33	612398	+ Switch Knob
	32131701	+ Switch Knob - WD - 1348-002, U1025
34	808359	+* Sems Unit (4)
35	636671	+ Motor Assem. Comp.
36	614081	+ Pedal
37	614094	Foot Pad
	38429505	+ Foot Pad - PT - U1025
38	907130	+* Screw Assem.
39	17951T	+ Cord Bushing - 1330
	626845	+ Cord Bushing
	36216501	+ Cord Bushing - VN - U1 025
40	626844	Handle Socket
	41414516	+ Handle Socket - PT - U1 025
	41414519	+ Handle Socket - 1348-002
41	33436501	+ Handle Shaft
42	807968	Spring
43	708179	Handle Bracket
44	12572	+* Lock Ring (3)
45	641286	+ Cord Clamp Saddle
	14706	+ Cord Clamp Saddle - 1330 (Use w/ Part #14707 - Cord Clamp Base)
46	23258447	+* Sems Unit
47	161535	* Screw - Self Tapping (4)
	626508	+* Screw - Self Tapping (4) - 1330

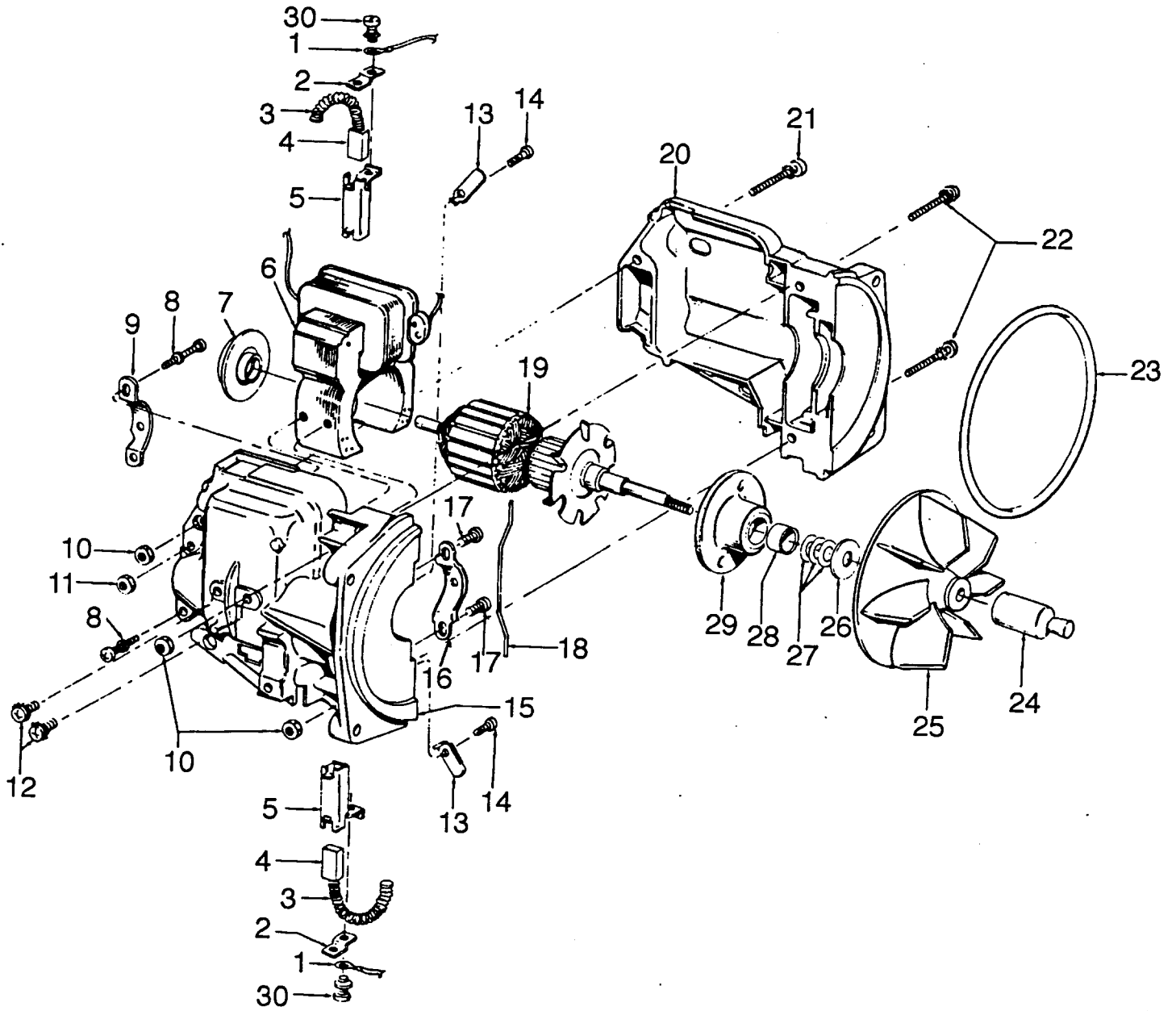
Ref. No.	Part No.	Description
48	807965	Support
49	23502	* Lock Ring (2)
50	21312772	* Washer (2)
51	626882	+ Rear Wheel (2)
52	45481	* Retainer (2) Retainer (2 Rear-inner, 2 Front-inner) -1330,1340
53	19772	* Washer (2) - 1348-002, U1 025 Not Applicable - 1330, 1340, 1348
	-	
54	17948	+* Screw - Self Tapping (2)
55	613197	+ Base Cover
56	707370	+ Rear Wheel Shaft
57	807971	Pawl Assem.
58	807966	Pivot
59	707375	+ Belt Guard
60	626448	Retaining Spring (2)
61	708180	Handle Control Lever., Spacer
62	638626	
63	638625	+* Clip
64	626524	+ Housing Assem. - 1330
	652490	+ Housing Assem. - 1340
	657398DD	+ Housing Assem. - 1348
	42243514	+ Housing Assem. - 1348-002, U1025
65	160928	+* Screw
66	635564	Spring
	714056	+ Spring - 1330
67	626978	+ Converter Cover - 1330
	42247500	+ Converter Cover - 1340, 1348, 1348- 002, U1025
68	626445	+ Re-inforcement Plate
69	626472	* Rivet
70	639098AF	Furniture Guard
	36233503	+ Furniture Guard - VR
71	701180	+ Belt Guard Spring
72	808140	+* Sems Unit (2)
73	655756	+ Bracket
	807963	+ Bracket - 1330, 1340
74	162206	+* Washer (4)
	45481	* Retainer (2 Front-inner) - 1330, 1340
75	655751	Carrier Wheel (2)
	626883	+ Carrier Wheel (2) - 1330, 1340
76	655748	+ Carrier Wheel Shaft
	708177	+ Carrier Wheel Shaft - 1330, 1340
77	655749	+ Spring
	708178	+ Spring - 1330, 1340

## ITEMS NOT ILLUSTRATED

35380	Service Plug
161906	+ Bag Clamp Band (w/Standard Threaded Nut) (All except 1330)
641122	+ Bag Clamp Band (w/Metric Threaded Nut) (All except 1330)
14707	+ Cord Clamp Base (Used in conjunction w/lt. 45, pt #14706 -1330)
626202	+* Nut (Model 1330 w/Threaded Shaft)
18040	+* Washer (Model 1330 w/Threaded Shaft)
163914	+ Carton (Common)
56511072	Owner Manual - U1025
161151	+ Owner Manual - 1340
163919	+ Owner Manual



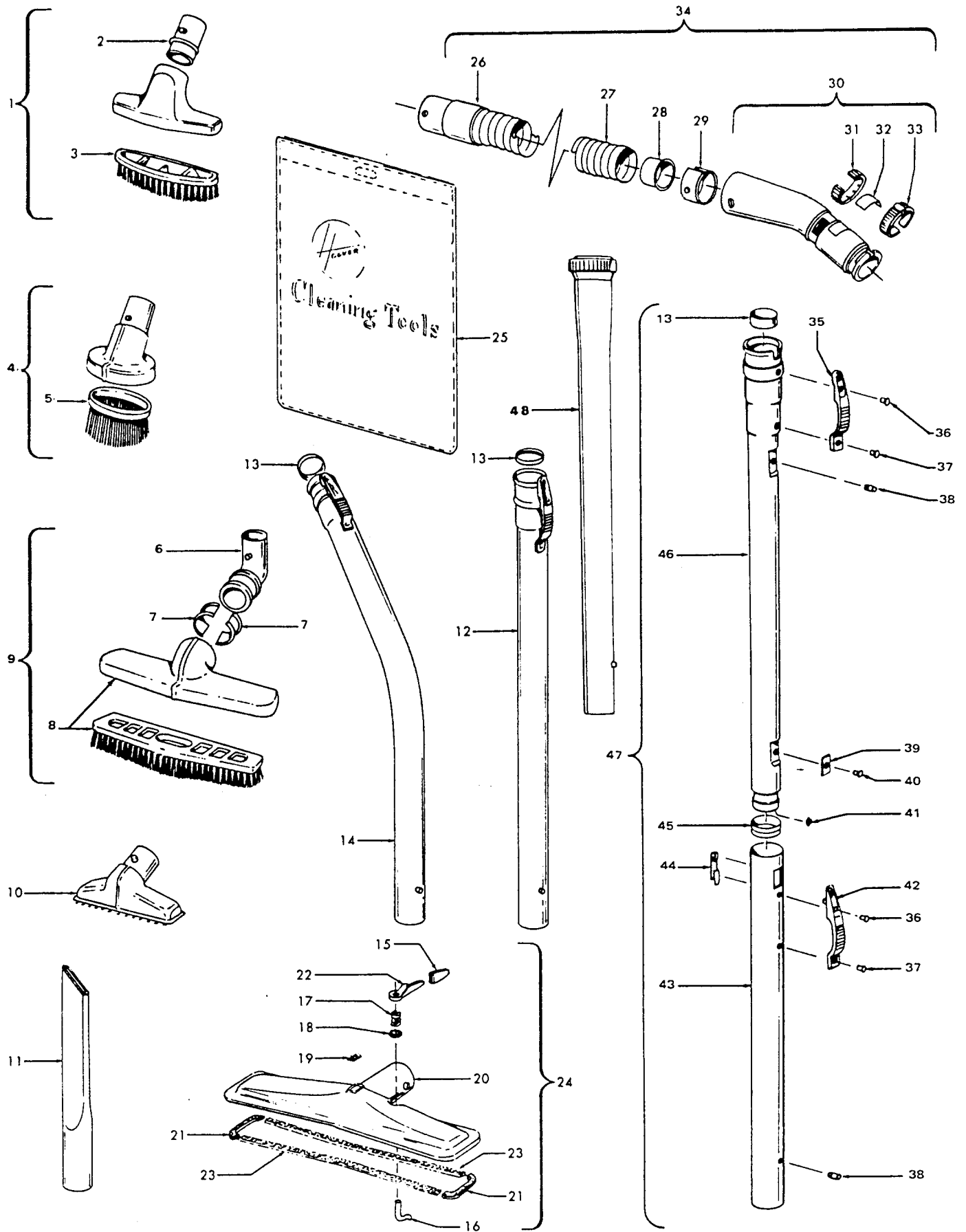
Ref.	Part No.	Description No.
1	49180	Thread Guard - L.H.
2	13010	* Felt Washer (2)
3	43267002	Agitator Bearing (2)
4	21347003	* Thrust Washer (2)
5	22554	Agitator End (2)
6	708198	Agitator Brush - Short
7	48414506	+ Agitator Assem.
8	708197	+ Agitator Brush - Long
9	46550AG	Belt
10	807997	Agitator Shaft
11	12985AY	Thread Guard - R.H.



Ref. No.	Part No.	Description
1	19249	+* Ring Terminal (2)
2	804851	+* Motor Brush Retainer (2)
3	815551	Motor Brush Spring (2)
4	161959	Motor Brush (2)
5	707350	+ Motor Brush Holder (2)
6	636669	Field Assem.
7	804886	Sleeve Bearing Assem.
8	808051	+* Screw Assem. (2)
9	707351	+ Sleeve Bearing Clamp
10	13015EF	+* Nut - Hex (3)
11	904749	+* Nut - Hex
12	616658	+* Screw Assem.
13	804852	+* Motor Brush Holder Retainer (2)
14	906617	+* Screw (2)
15	17915	+ Motor Casing Assem. - Half
16	707352	+ Ball Bearing Clamp
17	902218	+* Screw - Self Tapping (2)
18	906607	+* Motor Casing Gasket
19	622673	Armature Assem.
20	17914	* Motor Casing Cover - Half
21	906628	+* Screw Assem.
22	906627	+* Screw Assem. (2)
23	804899	Gasket
24	802004	Fan Pulley
25	804839	+ Fan
26	901488	+* Insulating Washer
27	162206	+* Washer (3)
28	904992	+ Fan Spacer
29	700328	Ball Bearing Assem.
30	906630	+* Screw Assem. (2)
	636671	+ Motor Assem. Comp.

ITEMS NOT ILLUSTRATED

48969	Solderless Connector
47133503	+ Terminal Block Assem. - 1348-002
41151503	+ Sems Unit (5) - Terminal Block 1348-002



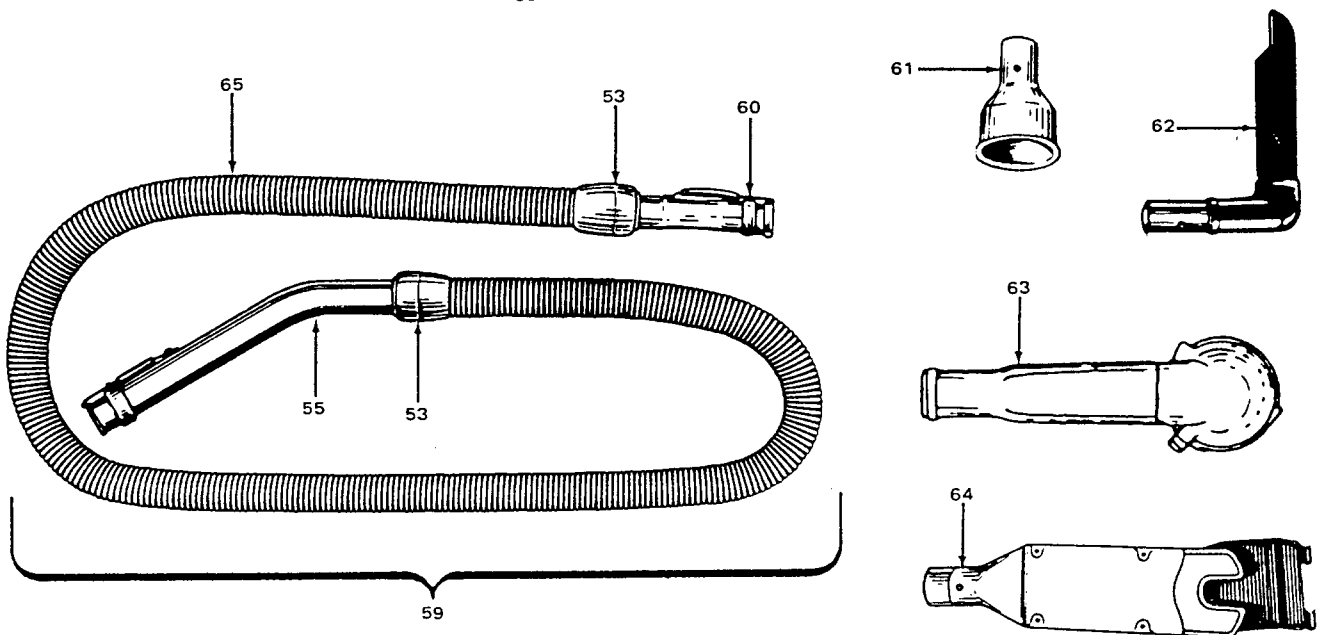
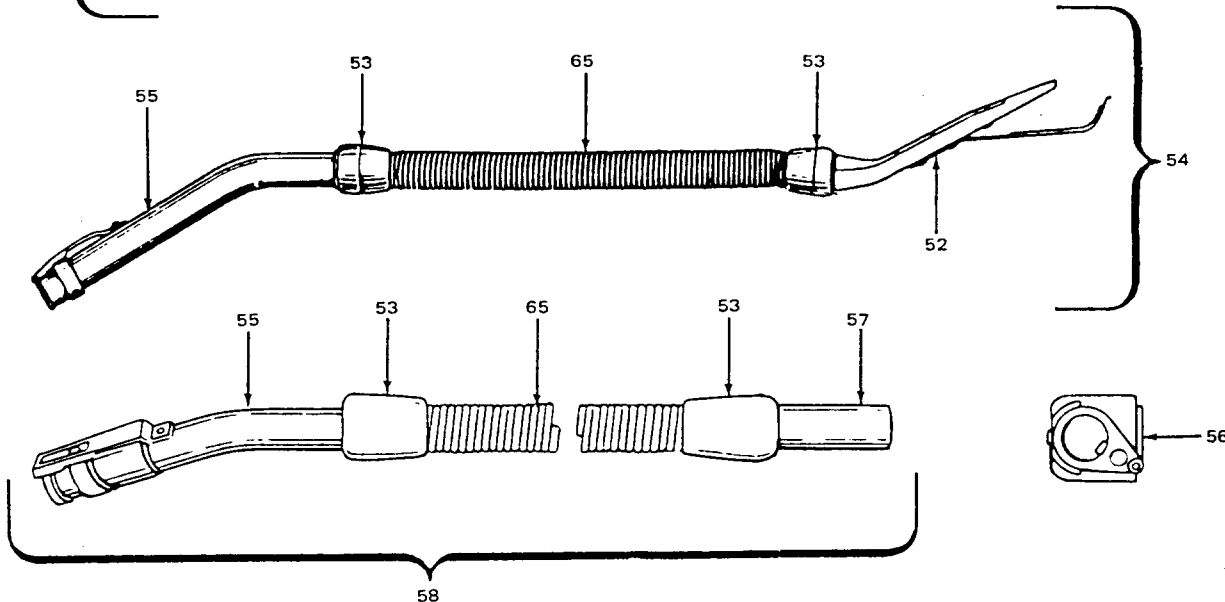
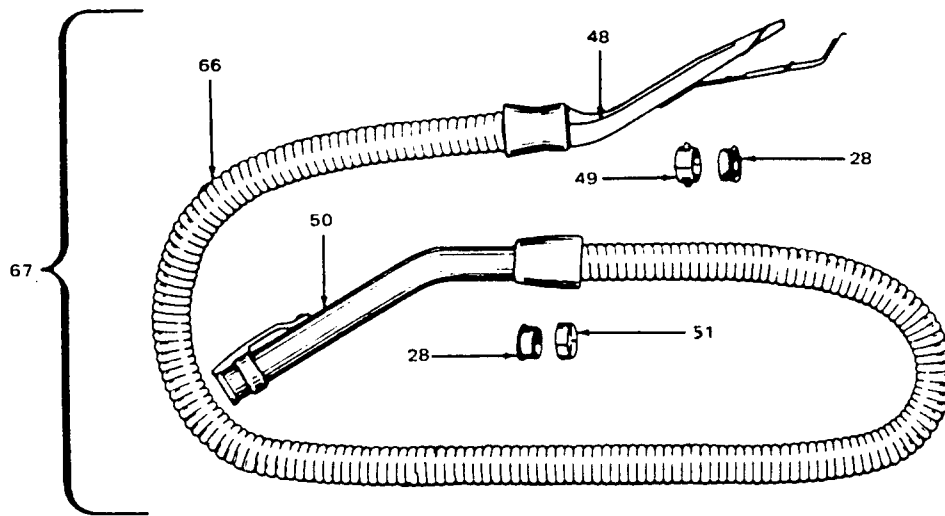
# Cleaning Tools

Ref. No.	Part No.	Description
1	161852JM 43414016	+ Furniture Brush Furniture Brush - AG
2	13149JM	Nozzle Connector Tube (Use w/ 161852JM)
3	13254BZ	+ Furniture Brush Back (Use w/161852JM)
4	161851JM 43414064 43414145	+ Dusting Brush Comp. Dusting Brush (One Piece) (Std Fit) Dusting Brush - Friction
	13263BZ	+ Brush (Use w/ 61851 JM)
6	13154JM	+ Floor Brush Swivel & Collar (Use w/13077JM)
	38644040	Swivel Connector (Use w/43414073)
7	13276	Floor Brush Swivel Bushing (Use w/13154JM)
	33712007	Split Ring (Use w/38644040)
8	13155JM	+ Floor Brush Nozzle & Brush (Use w/ 13077JM)
	13077JM	+ Floor Brush
	43414073	Floor Brush - (Standard Fit)
	43414135	Floor Brush - AAP (Friction Fit)
10	43414057	Furniture Nozzle - (Standard Fit)
	38614029	Furniture Nozzle - AG - (Friction Fit)
11	38617017	Crevice Tool - AG - (Standard Fit)
	38617024	Crevice Tool
12	43453027	Extension Tube (Standard Fit)
13	12845JM	Gasket
14	43466040	Ext. Tube - Curved (Short) (Std. Fit)
15	34207AG	Handle Control Foot Pad
16	33126001	+ Latch - AW
17	38311006	+ Spring
18	161549	+ Washer
19	34121001	Pad - Felt
20	43482097	Converter Body Assem.
21	34253003	+ Seal - End
22	38452026	+ Latch Lever
23	34113005	+ Seal - Side
24	43482097	Converter Body Assem. Conversion - (Standard & Friction Fit)
25	58544004	+ Cleaning Tool Bag
26	32288007	Hose Connector (Use w/Continuous Convolution Hose) - (Standard Fit)
	32288003	Hose Connector - JM (Use w/Circular Ribbed Hose) - (Standard Fit)
	32288004	Hose Connector - AAP (Use /Circular Ribbed Hose) - (Std. & Friction Fit)
27	43434203 38671001	Hose Complete - AAP Hose Less Ends - JM (Circular Ribbed) - (Std. Fit Ends)
	38671028	+ Hose Less Ends - AAP (Circular Ribbed) - (Std. Fit Ends)
	38671030	+ Hose Less Ends (Circular Ribbed) - (Friction Fit Ends)
28	32156010	Hose Sleeve - (Standard Fit Hose)
29	36116006	Hose Connector Collar (Use w/ Continuous Convolution Hose) (Standard Fit Hose)
	36171025	Hose Connector Collar (Use w/Circular Ribbed Hose) - (Standard Fit Hose)

# Convertible

Ref. No.	Part No.	Description
30	43466044	Hose Connector Curved w/Rings-AAP (Use w/Continuous Convolution Hose) (Std. Fit)
	43466055	+ Hose Connector Curved w/Latch Ring- JM (w/o Suction Regulator) (Use w/ Circular Ribbed Hose) - (Standard Fit)
	43466058	Hose Connector Curved w/Latch Ring AAP (w/o Suction Regulator) - Use w/Circular Ribbed Hose - (Std. Fit)
	39454059	Hose Connector - AAP -
31	38711006	Suction Control Ring - (Standard)
32	51869006	Hose Connector Label - (Standard)
33	36153009	Latch Ring - MV - (Standard)
34	43434203	Hose Comp. - Front Conversion (Continuous Convolution) (w/o Suction Regulator) - (Standard Fit)
	43434209	Hose Comp. - Front Conversion - JM (Circular Ribbed) (w/o Suction Regulator) - (Standard Fit)
	43434210	Hose Comp. - Front Conversion - AAP (Circular Ribbed w/o Suction Regulator) (Standard Fit)
	43434225	+ Hose Comp. - AAP - (Friction Fit)
35	12846AG	Tube Latch
36	12772	+* Rivet
37	12783	+* Rivet
38	12763AW	* Rivet
39	12824	+ Reinforcement Plate
40	12600	Rivet
41	21312704	* Washer
42	36152018	Tube Latch - Outer
43	12597	Extension Tube - Outer
44	12589	Extension Tube Guide
45	12844JM	+ Gasket - Inner
46	12598	+ Extension Tube - Inner
47	43458001	Extension Tube - (Standard Fit)
48	3863801P	Extension Tube - Poly - AG
	38634078	Extension Tube (Polystyrene) - AAP - (Friction Fit)

Standard Fit Tools ... w/Retention Pin  
Friction Fit Tools ... w/o Retention Pin





## Cleaning Tools

Ref. No.	Part No.	Description
48	13147JM	+ Converter (Std. - Rear Conversion)
49	12615BZ	Hose Converter Collar
50	43466044	Hose Grip - AAP - SC
51	12704BZ	Hose Grip Collar
52	23473JM	+ Converter (Except 63, 64) (Use w/ Hose 48617)
53	23393JM	Hose Grip
54	12864JM	+ Hose Comp. - Ultraflex (Equipped w/Converter 23473)
55	13143	Hose Tube Curved
56	43452503	Converter - 1330, 1348, 1348-002
57	17959A	+ Hose Connector Tube - 1330 (Metal)
	641398LL	+ Hose Connector Tube - 1348, 1348-002 (Plastic)
58	19633JM	+ Hose Comp. - Ultraflex - 1330, 1340, 1348, 1348-002
59	22671JM	+ Hose Comp. - Ultraflex (Commercial) Use w/Converter 34202 or 35190)
	23007A	+ Hose Comp. - Ultraflex (Use w/Converter 35447)

## Convertible

Ref. No.	Part No.	Description
60	34083	+ Hose End - 14, 63, 64
	34355	+ Hose End Short (Commercial)
61	34984A	+ Blower (Use w/Hose 22671)
62	35447	+ Converter - Special - 63, 64
63	35190	Converter (Use w/Hose 22671)
64	34202JM	+ Converter (Use w/Hose 22671)
65	48617JM	+ Hose Less Ends
66	43434213	Hose Less Ends
67	12864JM	+ Hose Assem. Comp. - Tufflex (Std. Rear Conversion)

### ITEMS NOT ILLUSTRATED

161728	+ Turbine Roto - Power Brush
169460JM	+ Ultraflex Hose - 50' length
43431011	+ Tufflex Hose - 50' length