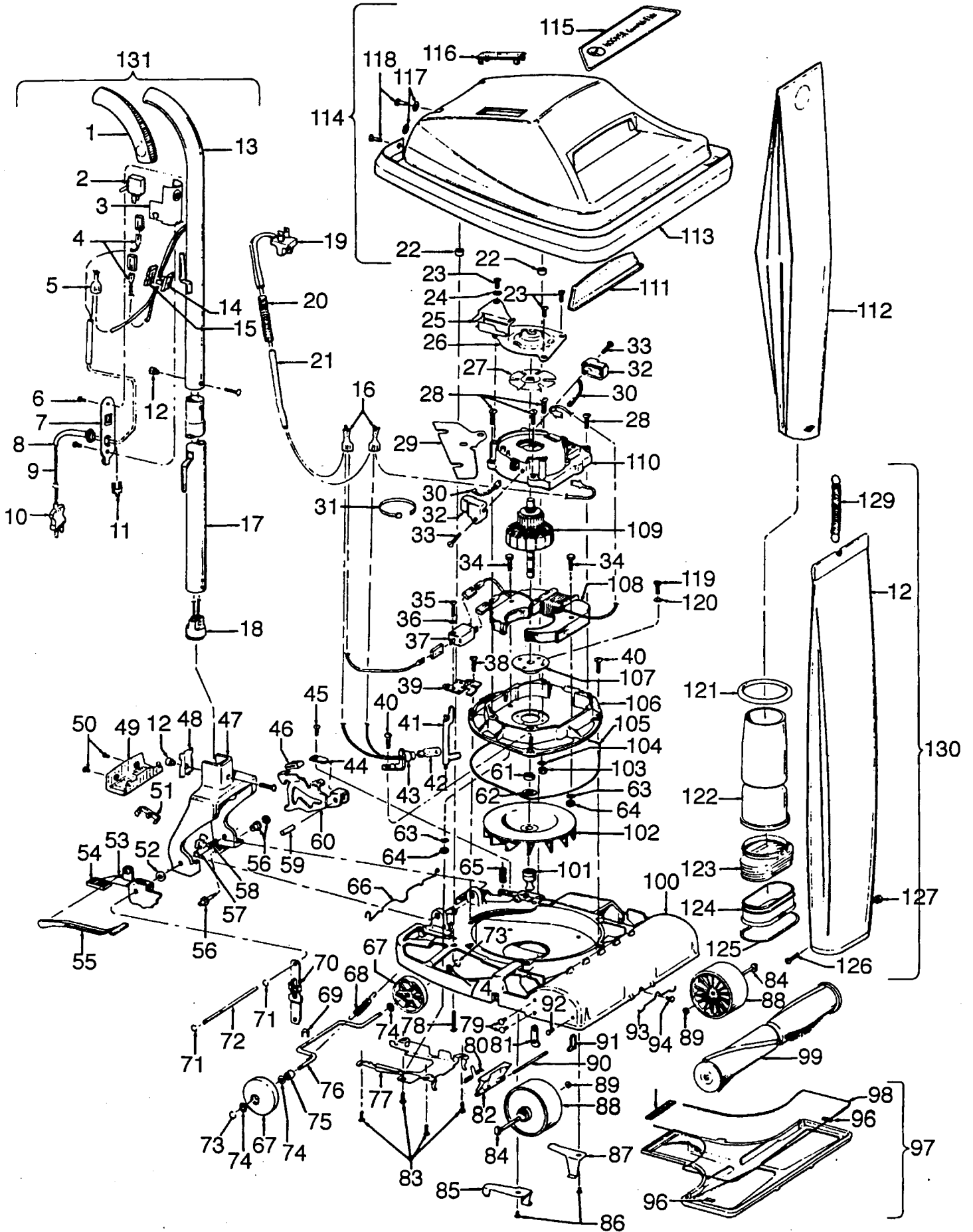


Convertible

Models U4037, U4037-001, U4039, U4039-001, U4057, U4057-001, U4059, U4061, U4063, U4095, U4099, U4111, U4111-001, U4123, U4123-001, U4131, U4163

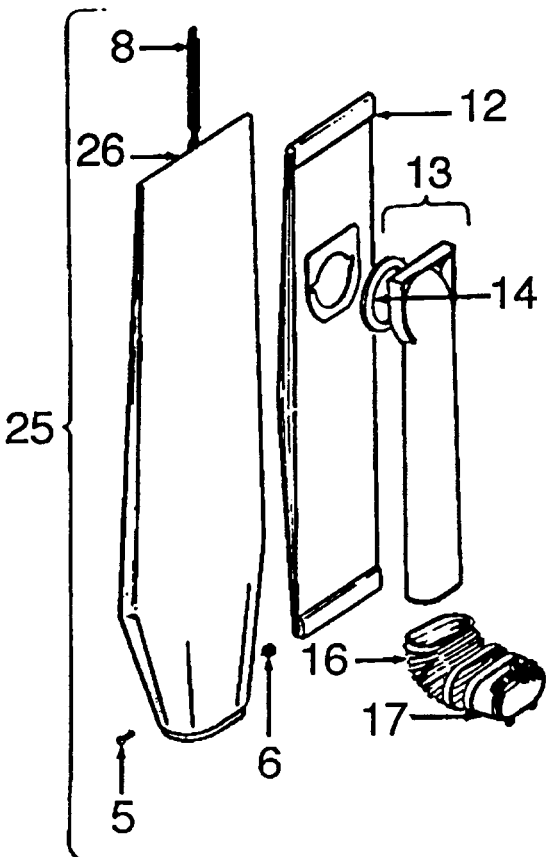
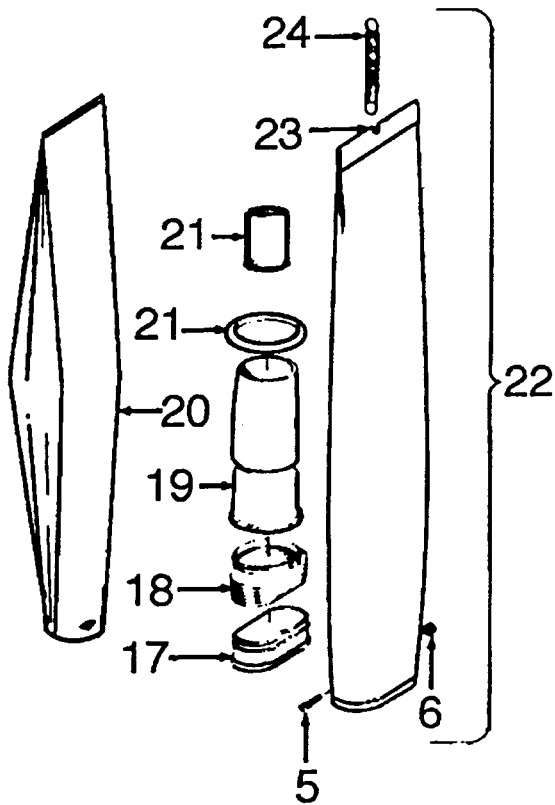


Convertible

**Models U4037, U4037-001, U4039, U4039-001, U4057,
U4057-001, U4059, U4061, U4063, U4095, U4099, U4111, 11-001,
U4123, U4123-001, U4131, U4163**

Ref. No.	Part No.	Description	Ref. No.	Part No.	Description
1	23458JM	Handle Grip	42	27317307	Dirt Finder Lamp - 15 Watt
2	12971	Switch		42241	Dirt Finder Lamp - 25 Watt - U4039, U4039-001, U4063
3	12272	+ Switch Insulator & Bushing	43	17016	Dirt Finder Socket - U4039, U4039-001, U4059, U4063, U4099, U4123, U4123-001
4	160356	* Terminal (2)	44	34665007	Pivot Pin Retainer
5	48969	* Wire Nut	45	21767082	* Machine Screw
6	21465314	* Screw-Self Tapping (2)	46	38426072	+ Foot Pad
7	23138AV	Switch Cover Plate		38426071	Foot Pad - U4111-001
8	31969AG	Cord Protector		38426080	Foot Pad - AG - U4095, U4099, U4163
9	46383068	Attach. Cord - U4063	47	41416030	Bail
	46363195	Cord	48	35463002	Handle Retainer Plate
10	35380	Plug Assem.	49	34192	Bail Grip
11	36171043	+ Cord Protector Retainer	50	166648AW	+* Screw (2)
12	48294AW	Handle Bolt & Nut	51	39442030	+ Cord Clip
13	48655208	Handle Assem. - Upper Half - U4039, U4039-001, U4059, U4061, U4063, U4099	52	161507	+* Washer
14	12261	+ Strain Relief Lock	53	161571JM	Nozzle Adj. Lever
15	12260	+ Strain Relief Body		43137013	+ Nozzle Adj. - JM
16	12227	Insulated Terminal	54	38426072	Foot Pad - U4095, U4099, U4123, U4123-001, U4163
17	48631140	+ Handle - Lower Haft		38426071	Foot Pad - U4111, U4111 -001
18	34484JM	+ handle Receptacle Assem.		38426080	Foot Pad - AG
19	23296AG	Handle Socket Plug	55	51151034	Indicator - AG (All except U4095, U4099, U4111, U4111 -001, U4123, U4123-001, U4131, U4163)
20	38313023	Motor Lead Spring	56	11735	Roller Detent Assem.
21	31727023	Cord Cover Tubing	57	19907	Bag Flange Clamp Lever
22	16125AY	+ Capsert (2)	58	48409FW	Bag Flange Clamp Lever Spring
23	45533AY	+* Screw - Machine (3)	59	47450AY	Pivot Pin
24	14062	* Lockwasher - U4037, U4037-001, U4039, U4039-001, U4057, U4057-001, U4059, U4061, U4063	60	43137036	Handle Control Lever
25	41961009	Indicator Guide Assem. - U4037, U4037-001, U4039, U4039-001, U4057, U4057-001, U4059, U4061, U4063	61	163059	+ Fan Spacer
26	42934002	Motor Bearing - Top	62	169241AW	* Washer
27	38755004	Ventilating Fan	63	14062	* Lockwasher
28	161535	Screw-Self Tapping (4)	64	15673	* Nut (2)
29	164684	+ Insulation Shield	65	12559FW	Handle Control Lever Spring
	45517	Lead Wire Holder - U4095, U4163	66	34344FW	+ Bag Flange Retainer Spring
30	47318012	Motor Brush Assem. (2)		35434040	Axle/Bag Flange Retainer - U4037-001, U4039-001, U4057-001, U4095, U4099, U4111-001, U4123-001, U4131, U4163, (Used w/l.t. 45 # 21767082)
31	27479307	Lead Wire Tie	67	38521041	Rear Wheel
32	36315003	Brush Insulator (2)		38521016	Rear Wheel - U4163
33	46930 AZ	* Screw-Self Tapping (2)	68	161513	Spring
34	45118	* Bolt (2)	69	34252005	* Yoke
35	12892	* Screw - Machine - U4037, U4039, U4057, U4059, U4061, U4063, U4111	70	161514	+ Cam Follower Assem.
	23254001	* Screw Assem. - U4037-001, U4039-001, U4057-001, U4099, U4111-001, U4131	71	13730	* Lock Ring (2)
36	14287	+* washer - U4037, U4039, U4057, U4059, U4061, U4063, U4111	72	161509AY	Bail Shaft
37	19513AG	Speed Control Switch (All except U4095, U4123, U4123-001, U4163)	73	17207AZ	* Lock Ring (2.)
38	14279	+* Screw Assem. (All except U4095, U4123, U4123-001, U4163)	74	21312772	* Washer (4)
39	18589	+ Switch Bracket - U4037, U4039, U4057, U4059, U4061, U4063, U4111			
	34771001	Switch Bracket - U4037-001, U4039-001, U4057-001, U4099, U4111-001, U4131			
40	45355	+ Screw (3)			
41	18588	+ Switch Actuator - U4037, U4039, U4057, U4059, U4061, U4063, U4111, U4111 -001			
	38452028	Switch Actuator - U4037-001, U4039-001, U4057-001, U4099, U4131			

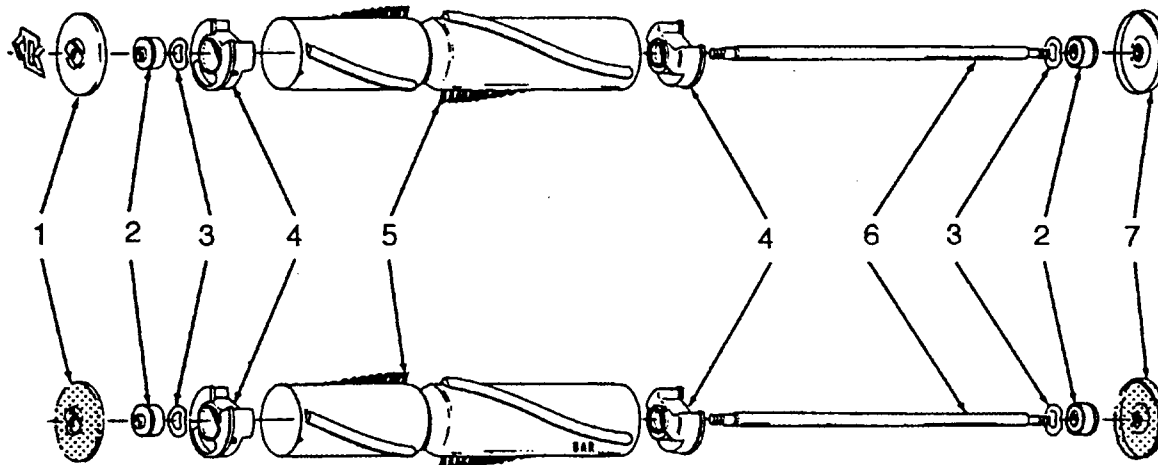
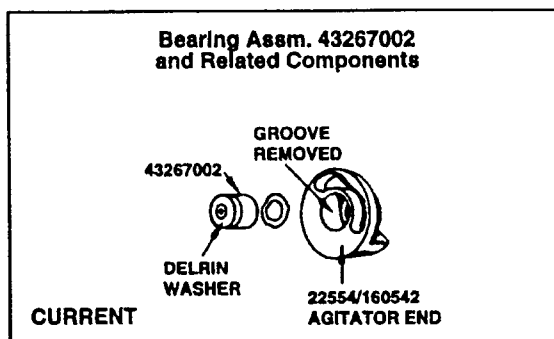
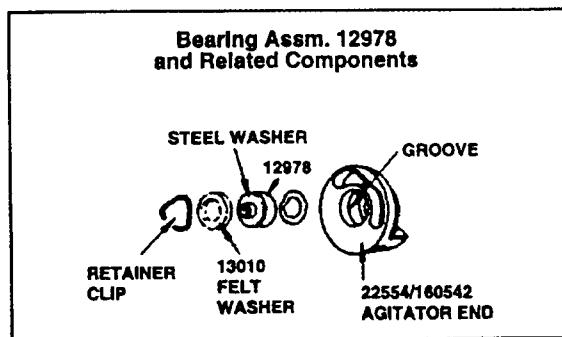
Outer Bag/ Outer Bag Comp.



Ref. No.	Part No.	Description
5	21765159	Screw
6	15854EF	* Nut
8	38336014	Jacket Support Spring
12	4010001A	Throw Away Bag (3 Pk.)
13	43482058	+ Top Fill Tube & Seal (Shown)
	38657004	Top Fill Tube (Push on Type)
14	32174004	Bag Collar Seal (Use w/Item 13 - 43482058)
16	38673009	Bellows
17	41424011	Bag Ring & Gasket
	41424502	+ Bag Ring & Gasket - U4014-079
18	11064JM	Bellow
19	161889	Bag Support Tube
20	4010003C	Throw Away Bag (4 Pk.)
	4010004C	+ Throw Away Bag (1 2 Pk.)
21	46550AG	Bag Retainer
21	35091	+ Bag Retainer Sleeve - Early Models
22	43678331	Outer Bag Comp. - Bottom Fill - Wide - Common
	43678052	+ Outer Bag Comp. - Bottom Fill - Narrow - Common
23	43677052	+ Outer Bag - Bottom Fill - Narrow - Common
	43677321	Outer Bag - Bottom Fill - Wide - Common
	43686510	Outer Bag - U4014-079 (Zip)
24	38335006	Jacket Support Spring
25	43678330	Outer Bag Comp. - Top Fill - Common
26	43677322	Outer Bag - Top Fill - Common

ITEMS NOT ILLUSTRATED

37911043	+ Header Cap - U4087 (JE)
37911044	+ Header Cap - U4091 (AR)
37911045	+ Header Cap - U4075 (EW)
37911047	+ Header Cap - U4093 (ET)
41129008	Cable Tie & Instruction Sheet (Used to secure the vinyl outer Jacket to the Bag Ring)
36953003	Hanger (Used in the repair of Item #'s 22,23,25,26. Secures Jacket Support Spring to Outer Bag/Outer Bag Comp.)



Ref. No.	Part No.	Description
1	49180	Thread Guard & Spring (Metal)
	36423003	+ Thread Guard L.H. (Molded)
2	43267002	Bearing
3	21347003	* Thrust Washer
4	22554	Agitator End (Early Model Standard Performance Cleaners, L.H. Helix)
	160542	Agitator End (Standard & High Performance Cleaners, R.H. Helix)
	41435070	Agitator End (Use w/two brush agitator Pt. #48414021)
5	12998BZ	Agitator Brush - 8 mil (Early Model Standard Performance Cleaners, L.H. Helix)
	160646BZ	Agitator Brush - 8 mil (Standard Performance Cleaners, R.H. Helix)
	48445001	Agitator Brush - 11 mil (High Performance Cleaners, R.H. Helix)
6	12981	+ Agitator Shaft (Used w/metal thread guards)
	32724008	Agitator Shaft (Used w/molded thread guards)
7	12985AY	Thread Guard R.H. (Metal)
	36423007	+ Thread Guard R.H. (Molded)

AGITATOR BELT

Ref. No.	Part No.	Description
	49258AG	Domestic models, Convertible/Decade 80/Heavy Duty Commercials
	44783AG	Lightweight Commercials

AGITATOR ASSEMBLY

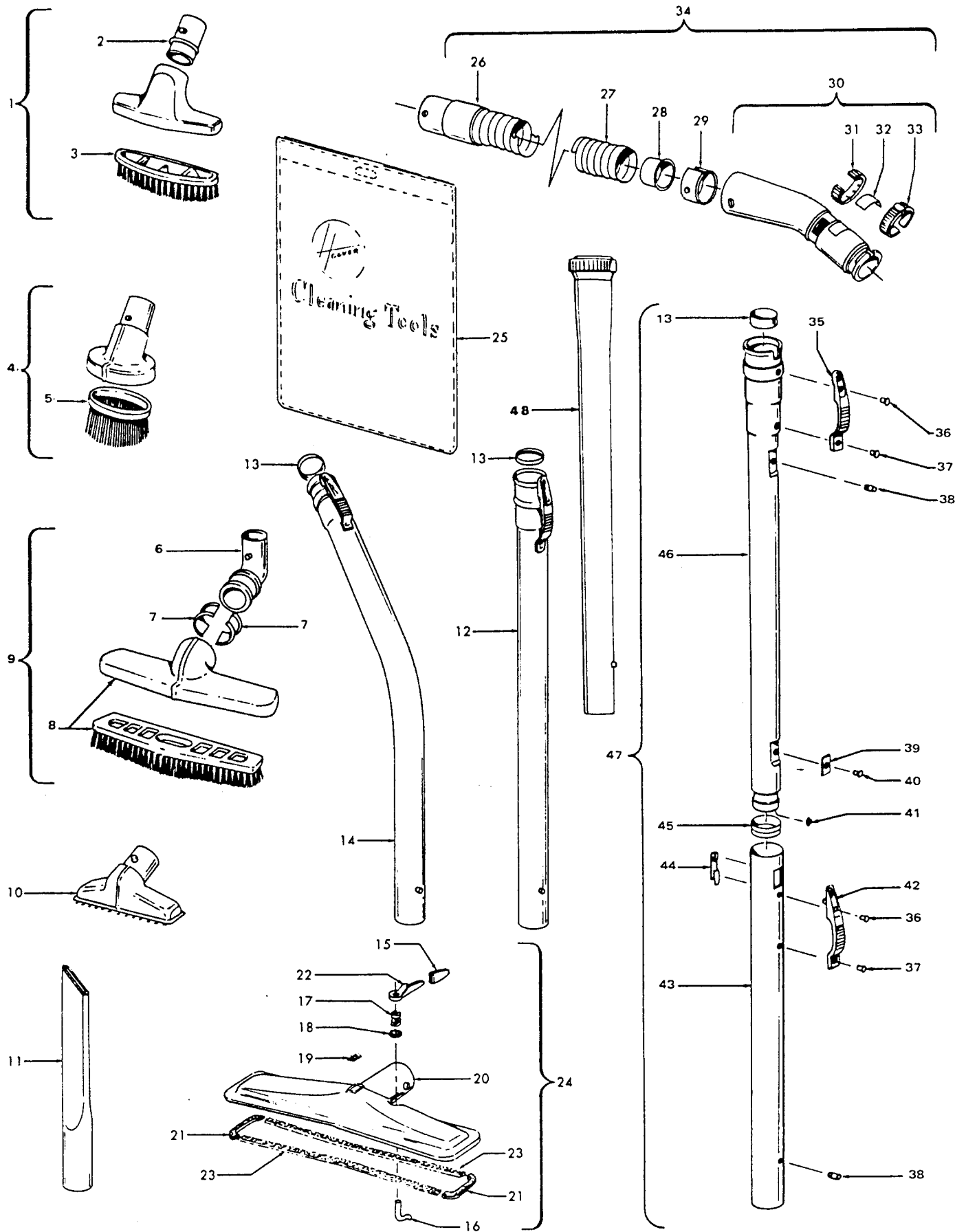
169371MF	+ Standard Performance, R.H. Helix (Metal Thread Guards)
41435005	High Performance Cleaners, R.H. Helix (Metal Thread Guards w/Spring)
48414006	+ High Performance Cleaners, R.H. Helix (Metal Thread Guards)
48414007	+ Standard Performance, R.H. Helix (Molded Thread Guards)

FOUR BRUSH AGITATOR ASSEMBLY

48414002	+ Heavy Duty Commercial (Use 47159 Brush-Long, 47160 Brush-Short & 46875 Sems Fastener)
48414003	Lightweight Commercial (Use 160646BZ Brush & 36422003 Agitator End)

TWO BRUSH W/O BEATER BAR

48414021	Agitator (Molded Thread Guards)
----------	---------------------------------



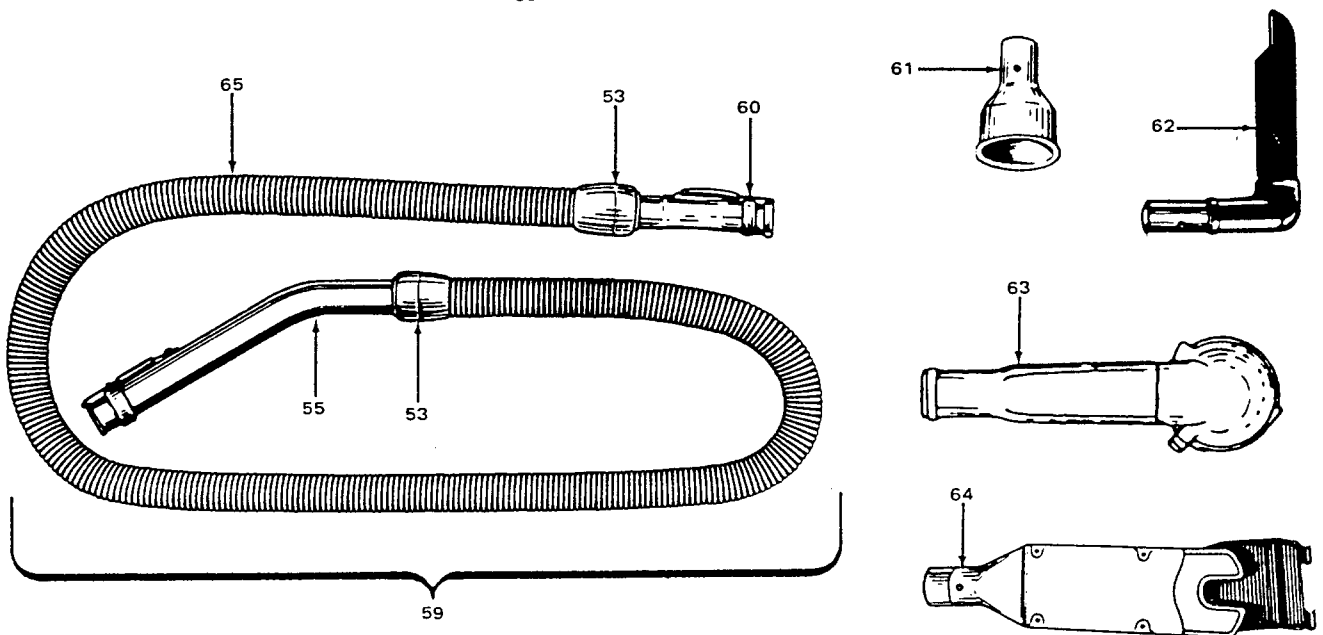
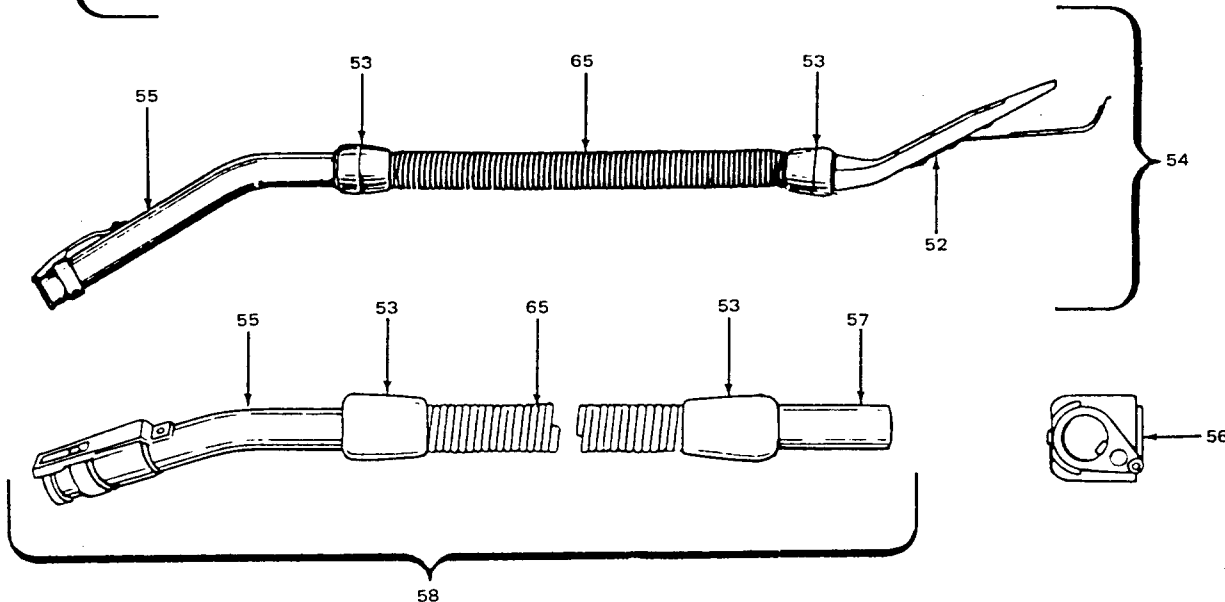
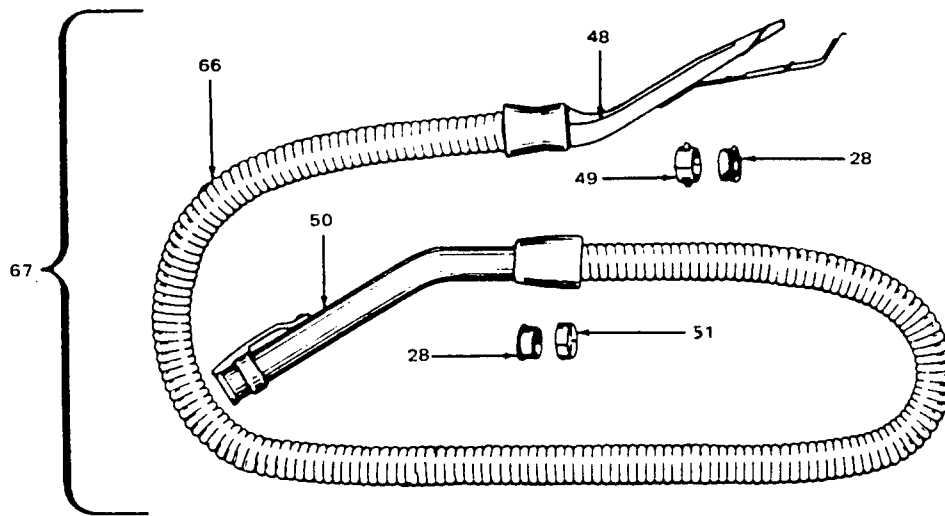
Cleaning Tools

Ref. No.	Part No.	Description
1	161852JM 43414016	+ Furniture Brush Furniture Brush - AG
2	13149JM	Nozzle Connector Tube (Use w/ 161852JM)
3	13254BZ	+ Furniture Brush Back (Use w/161852JM)
4	161851JM 43414064 43414145	+ Dusting Brush Comp. Dusting Brush (One Piece) (Std Fit) Dusting Brush - Friction
	13263BZ	+ Brush (Use w/ 61851 JM)
6	13154JM	+ Floor Brush Swivel & Collar (Use w/13077JM)
	38644040	Swivel Connector (Use w/43414073)
7	13276	Floor Brush Swivel Bushing (Use w/13154JM)
	33712007	Split Ring (Use w/38644040)
8	13155JM	+ Floor Brush Nozzle & Brush (Use w/ 13077JM)
	13077JM	+ Floor Brush
	43414073	Floor Brush - (Standard Fit)
	43414135	Floor Brush - AAP (Friction Fit)
10	43414057	Furniture Nozzle - (Standard Fit)
	38614029	Furniture Nozzle - AG - (Friction Fit)
11	38617017	Crevice Tool - AG - (Standard Fit)
	38617024	Crevice Tool
12	43453027	Extension Tube (Standard Fit)
13	12845JM	Gasket
14	43466040	Ext. Tube - Curved (Short) (Std. Fit)
15	34207AG	Handle Control Foot Pad
16	33126001	+ Latch - AW
17	38311006	+ Spring
18	161549	+ Washer
19	34121001	Pad - Felt
20	43482097	Converter Body Assem.
21	34253003	+ Seal - End
22	38452026	+ Latch Lever
23	34113005	+ Seal - Side
24	43482097	Converter Body Assem. Conversion - (Standard & Friction Fit)
25	58544004	+ Cleaning Tool Bag
26	32288007	Hose Connector (Use w/Continuous Convolution Hose) - (Standard Fit)
	32288003	Hose Connector - JM (Use w/Circular Ribbed Hose) - (Standard Fit)
	32288004	Hose Connector - AAP (Use /Circular Ribbed Hose) - (Std. & Friction Fit)
27	43434203 38671001	Hose Complete - AAP Hose Less Ends - JM (Circular Ribbed) - (Std. Fit Ends)
	38671028	+ Hose Less Ends - AAP (Circular Ribbed) - (Std. Fit Ends)
	38671030	+ Hose Less Ends (Circular Ribbed) - (Friction Fit Ends)
28	32156010	Hose Sleeve - (Standard Fit Hose)
29	36116006	Hose Connector Collar (Use w/ Continuous Convolution Hose) (Standard Fit Hose)
	36171025	Hose Connector Collar (Use w/Circular Ribbed Hose) - (Standard Fit Hose)

Convertible

Ref. No.	Part No.	Description
30	43466044	Hose Connector Curved w/Rings-AAP (Use w/Continuous Convolution Hose) (Std. Fit)
	43466055	+ Hose Connector Curved w/Latch Ring- JM (w/o Suction Regulator) (Use w/ Circular Ribbed Hose) - (Standard Fit)
	43466058	Hose Connector Curved w/Latch Ring AAP (w/o Suction Regulator) - Use w/Circular Ribbed Hose - (Std. Fit)
	39454059	Hose Connector - AAP -
31	38711006	Suction Control Ring - (Standard)
32	51869006	Hose Connector Label - (Standard)
33	36153009	Latch Ring - MV - (Standard)
34	43434203	Hose Comp. - Front Conversion (Continuous Convolution) (w/o Suction Regulator) - (Standard Fit)
	43434209	Hose Comp. - Front Conversion - JM (Circular Ribbed) (w/o Suction Regulator) - (Standard Fit)
	43434210	Hose Comp. - Front Conversion - AAP (Circular Ribbed w/o Suction Regulator) (Standard Fit)
	43434225	+ Hose Comp. - AAP - (Friction Fit)
35	12846AG	Tube Latch
36	12772	+* Rivet
37	12783	+* Rivet
38	12763AW	* Rivet
39	12824	+ Reinforcement Plate
40	12600	Rivet
41	21312704	* Washer
42	36152018	Tube Latch - Outer
43	12597	Extension Tube - Outer
44	12589	Extension Tube Guide
45	12844JM	+ Gasket - Inner
46	12598	+ Extension Tube - Inner
47	43458001	Extension Tube - (Standard Fit)
48	3863801P 38634078	Extension Tube - Poly - AG Extension Tube (Polystyrene) - AAP - (Friction Fit)

Standard Fit Tools ... w/Retention Pin
Friction Fit Tools ... w/o Retention Pin



Cleaning Tools

Ref. No.	Part No.	Description
48	13147JM	+ Converter (Std. - Rear Conversion)
49	12615BZ	Hose Converter Collar
50	43466044	Hose Grip - AAP - SC
51	12704BZ	Hose Grip Collar
52	23473JM	+ Converter (Except 63, 64) (Use w/ Hose 48617)
53	23393JM	Hose Grip
54	12864JM	+ Hose Comp. - Ultraflex (Equipped w/Converter 23473)
55	13143	Hose Tube Curved
56	43452503	Converter - 1330, 1348, 1348-002
57	17959A	+ Hose Connector Tube - 1330 (Metal)
	641398LL	+ Hose Connector Tube - 1348, 1348-002 (Plastic)
58	19633JM	+ Hose Comp. - Ultraflex - 1330, 1340, 1348, 1348-002
59	22671JM	+ Hose Comp. - Ultraflex (Commercial) Use w/Converter 34202 or 35190)
	23007A	+ Hose Comp. - Ultraflex (Use w/Converter 35447)

Convertible

Ref. No.	Part No.	Description
60	34083	+ Hose End - 14, 63, 64
	34355	+ Hose End Short (Commercial)
61	34984A	+ Blower (Use w/Hose 22671)
62	35447	+ Converter - Special - 63, 64
63	35190	Converter (Use w/Hose 22671)
64	34202JM	+ Converter (Use w/Hose 22671)
65	48617JM	+ Hose Less Ends
66	43434213	Hose Less Ends
67	12864JM	+ Hose Assem. Comp. - Tufflex (Std. Rear Conversion)

ITEMS NOT ILLUSTRATED

161728	+ Turbine Roto - Power Brush
169460JM	+ Ultraflex Hose - 50' length
43431011	+ Tufflex Hose - 50' length