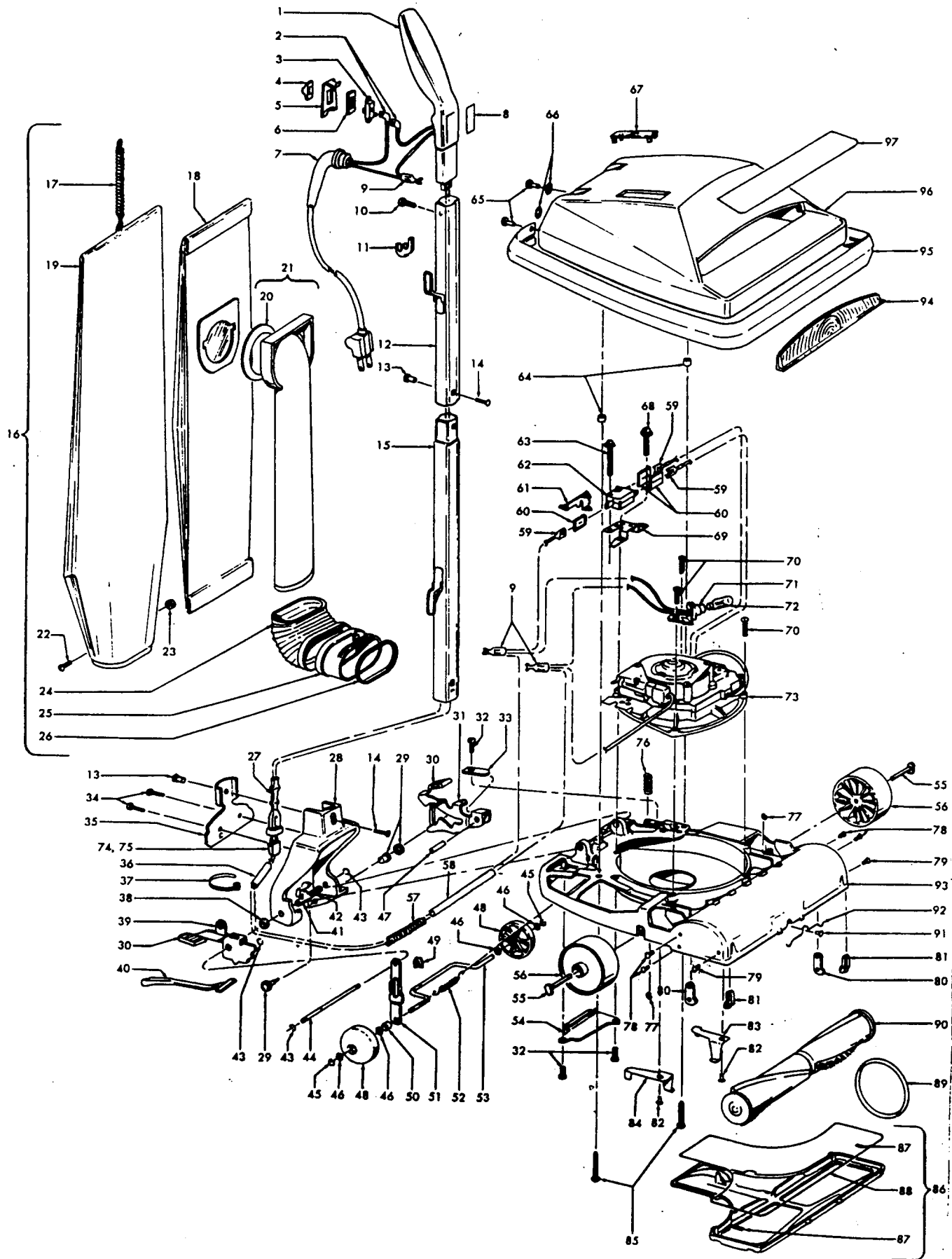


Convertible

Models U4101, U4101-001, U4103, U4103-001, U4107, U4107-001, U4109, U4109-001, U4113, U4113-001, U4115, U4115-001, U4339

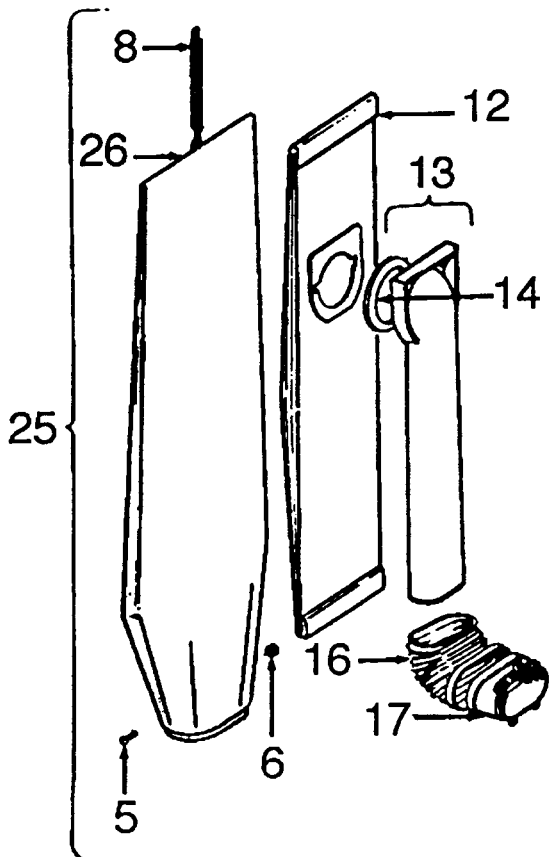
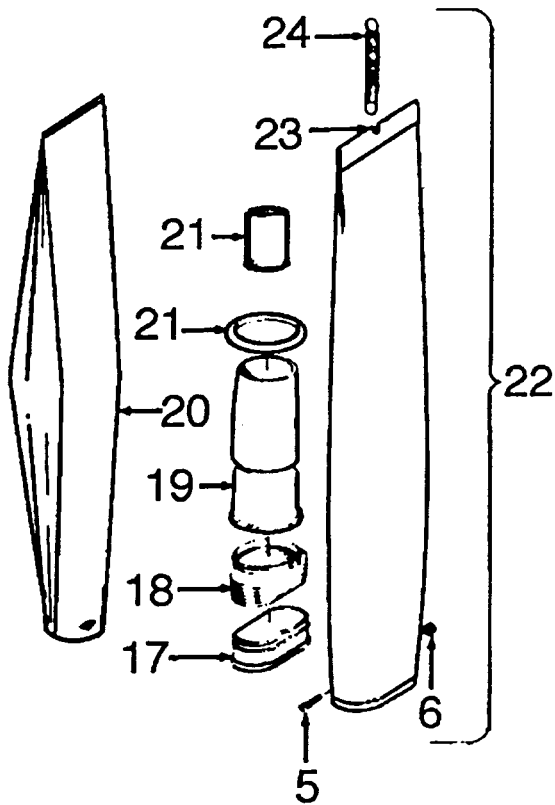


**Convertible**

**Models U4101, U4101-001, U4103, U4103-001, U4107,  
U4107-001, U4109, U4109-001, U4113, U4113-001, U4115,  
U4115-001, U4339**

Ref. No.	Part No.	Description	Ref. No.	Part No.	Description
	48652045	Handle Comp.-KW- U4101, U4101-001, U4103, U4103-001, U4109, U4109-001, U4339	35	34777012	Bail Cover Plate
	48652017	+ Handle Comp CD U4107, U4107-001, U4113, U4113-001	36	31724015	+ Cord Support Tube
1	48652018	Handle Comp. PH- U4115, U4115-001	37	27479307	Lead Wire Tie
2	39454060	Handle Grip	38	161507	+* Washer (Use w/Metal Nozzle Adj. Lever)
3	27666702	* Terminal (2)	39	43137013	+ Nozzle Adj. Lever Comp. - Metal (Use w/l 61514)
4	281770KD	Switch		38456044	Nozzle Adj. Lever - Plastic (Use w/ 43263005)
5	38421012	Switch Button	40	51151034	Indicator - AG
	37258004	+ Switch Cover- PH U4115, U4115-001	41	19907	Bag Flange Clamp Lever
	37258015	Switch Cover - KT U4339	42	48409FW	Bag Flange Clamp Lever Spring
6	34138006	* Switch Pad	43	13730	* Lock Ring (Use 3 w/43137013; Use 2 w/38456044)
7	46363242	Cord U4101, U4101-001, U4107, U4107-001, U4113, U4113-001, U4339	44	161509AY	Bail Shaft
	46383304	Cord U4103, U4103-001, U4109, U4109-001, U4115, U4115-001	45	17207AZ	* Lock Ring - Metal (2) Use w/ 33141015 & 33141011
8	51669022	+ Nameplate - U4339		32182001	* Wheel Retainer - Plastic (2) Use w/33152003
9	12227	Insulated Terminal (3)	46	21312772	* Washer - Use 1 w/33152003; Use 4 w/33141015 & 33141011
10	166735EF	+ Screw - Self Tapping	47	47450AY	Pivot Pin
11	39442001	Bag Support - JM	48	38521041	Rear Wheel - U4101, U4103, U4107, U4109, U4113, U4115
12	48631010	Handle - Upper Half - JM		38521016	Rear Wheel - U4101 -001, U4103-001, U4107-001, U4109-001, U4113-001, U4115-001, U4339
	48631069	+ Handle - Upper Half - VN - U4339	49	34252005	* Yoke
13	32277008	Handle Clamp Nut - AW (2)	50	31148004	* Spacer U4101, U4103, U4107, U4109, U4113, U4115
14	21631301	Handle Clamp Bolt (2)	51	161514	+ Cam Follower Assem. - Metal (Use w/43137013)
15	48631020	Handle - Lower Half - JM		43263005	Cam Follower Assem. - Plastic (Use w/38456044)
	48631022	Handle - Lower Half - VN - U4339	52	161513	Spring
16	43678330	Outer Bag Comp. - Top Fill - Common	53	33141015	+ Rear Wheel Shaft (Use in conjunction w/Item 45, Pt. # 17207AZ) - U4101, U4103, U4107, U4109, U4113, U4115
17	38336014	Jacket Support Spring		33141011	+ Rear Wheel Shaft (Use in conjunction w/Item 45, Pt. # 17207AZ) U4101 -001, U4103-001, U4107-001, U4109-001, U4113-001, U4115-001, U4339
18	4010001A	Throw Away Bag (3 Pk.)		33152003	Rear Wheel Shaft (Use in conjunction w/Item 45, Pt. #32182001 )-U4339
19	43677322	Outer Bag - Top Fill - Common	54	35434040	Axle/Bag Flange Retainer
20	32174004	Bag Collar Seal (Use w/Item 21 - 43482058)	55	47457AY	Carrier Wheel Shaft (2)
21	46550AG	+ Top Fill Tube & Seal (Shown)	56	34791AG	Carrier Wheel U4101, U4103, U4107, U4109, U4113, U4115
	38657004	Top Fill Tube (Push on Type)		38522013	Carrier Wheel - U4101 -001, U4103-001, U4107-001, U4109-001, U4113-001, U4115-001, U4339
22	21765159	* Screw	57	38313023	Motor Lead Spring
23	15854EF	* Nut	58	31727023	Cord Cover Tubing - JM
24	38673009	Bellows - JM	59	14197	+* Terminal (3)
25	41424011	Bag Flange & Gasket	60	160472	+ Insulating Pod (3)
26	47454	+ Bag Flange Gasket	61	38452028	Switch Actuator
27	46326070	Handle Plug Receptacle	62	19513AG	Switch
28	41416026	Bail Assem. - JM	63	23254001	* Screw Assem.
	41416029	+ Bail Assem. - VN - U4339			
29	11735	Roller Detent Assem.			
30	38426080	Foot Pad - AG (2)			
31	43137036	Handle Control Lever Comp. - JM			
32	21767082	* Machine Screw - U41 01, U4103, U4107, U4109, U4113, U4115			
	21447007	* Screw - Self Tapping - U41 01 -001, U4103-001, U4107-001, U4109-001, U4113-001, U4115-001, U4339			
33	34665007	Pivot Pin Retainer			
34	21465312	* Screw - Self Tapping (2)			

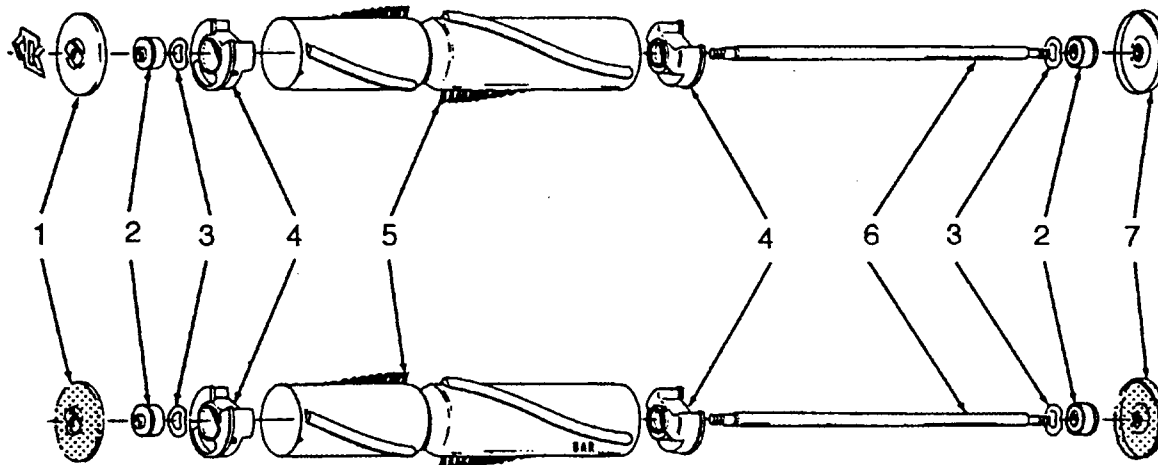
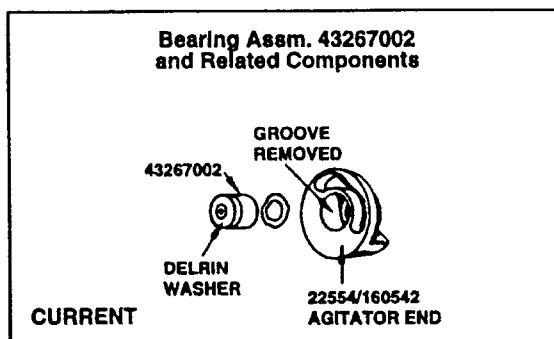
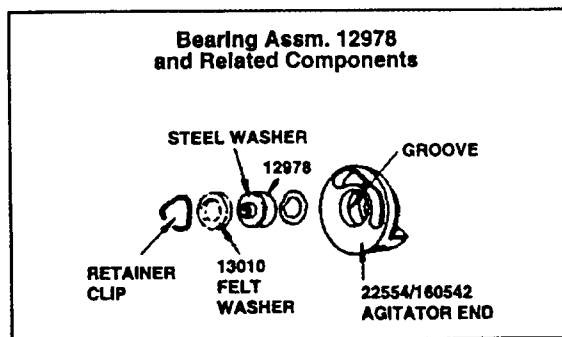
# Outer Bag/ Outer Bag Comp.



Ref. No.	Part No.	Description
5	21765159	Screw
6	15854EF	* Nut
8	38336014	Jacket Support Spring
12	4010001A	Throw Away Bag (3 Pk.)
13	43482058	+ Top Fill Tube & Seal (Shown)
	38657004	Top Fill Tube (Push on Type)
14	32174004	Bag Collar Seal (Use w/Item 13 - 43482058)
16	38673009	Bellows
17	41424011	Bag Ring & Gasket
	41424502	+ Bag Ring & Gasket - U4014-079
18	11064JM	Bellow
19	161889	Bag Support Tube
20	4010003C	Throw Away Bag (4 Pk.)
	4010004C	+ Throw Away Bag (1 2 Pk.)
21	46550AG	Bag Retainer
21	35091	+ Bag Retainer Sleeve - Early Models
22	43678331	Outer Bag Comp. - Bottom Fill - Wide - Common
	43678052	+ Outer Bag Comp. - Bottom Fill - Narrow - Common
23	43677052	+ Outer Bag - Bottom Fill - Narrow - Common
	43677321	Outer Bag - Bottom Fill - Wide - Common
	43686510	Outer Bag - U4014-079 (Zip)
24	38335006	Jacket Support Spring
25	43678330	Outer Bag Comp. - Top Fill - Common
26	43677322	Outer Bag -Top Fill - Common

## ITEMS NOT ILLUSTRATED

37911043	+ Header Cap - U4087 (JE)
37911044	+ Header Cap - U4091 (AR)
37911045	+ Header Cap - U4075 (EW)
37911047	+ Header Cap - U4093 (ET)
41129008	Cable Tie & Instruction Sheet (Used to secure the vinyl outer Jacket to the Bag Ring)
36953003	Hanger (Used in the repair of Item #'s 22,23,25,26. Secures Jacket Support Spring to Outer Bag/Outer Bag Comp.)



Ref. No.	Part No.	Description
1	49180	Thread Guard & Spring (Metal)
	36423003	+ Thread Guard L.H. (Molded)
2	43267002	Bearing
3	21347003	* Thrust Washer
4	22554	Agitator End (Early Model Standard Performance Cleaners, L.H. Helix)
	160542	Agitator End (Standard & High Performance Cleaners, R.H. Helix)
	41435070	Agitator End (Use w/two brush agitator Pt. #48414021)
5	12998BZ	Agitator Brush - 8 mil (Early Model Standard Performance Cleaners, L.H. Helix)
	160646BZ	Agitator Brush - 8 mil (Standard Performance Cleaners, R.H. Helix)
	48445001	Agitator Brush - 11 mil (High Performance Cleaners, R.H. Helix)
6	12981	+ Agitator Shaft (Used w/metal thread guards)
	32724008	Agitator Shaft (Used w/molded thread guards)
7	12985AY	Thread Guard R.H. (Metal)
	36423007	+ Thread Guard R.H. (Molded)

### AGITATOR BELT

Ref. No.	Part No.	Description
	49258AG	Domestic models, Convertible/Decade 80/Heavy Duty Commercials
	44783AG	Lightweight Commercials

### AGITATOR ASSEMBLY

169371MF	+ Standard Performance, R.H. Helix (Metal Thread Guards)
41435005	High Performance Cleaners, R.H. Helix (Metal Thread Guards w/Spring)
48414006	+ High Performance Cleaners, R.H. Helix (Metal Thread Guards)
48414007	+ Standard Performance, R.H. Helix (Molded Thread Guards)

### FOUR BRUSH AGITATOR ASSEMBLY

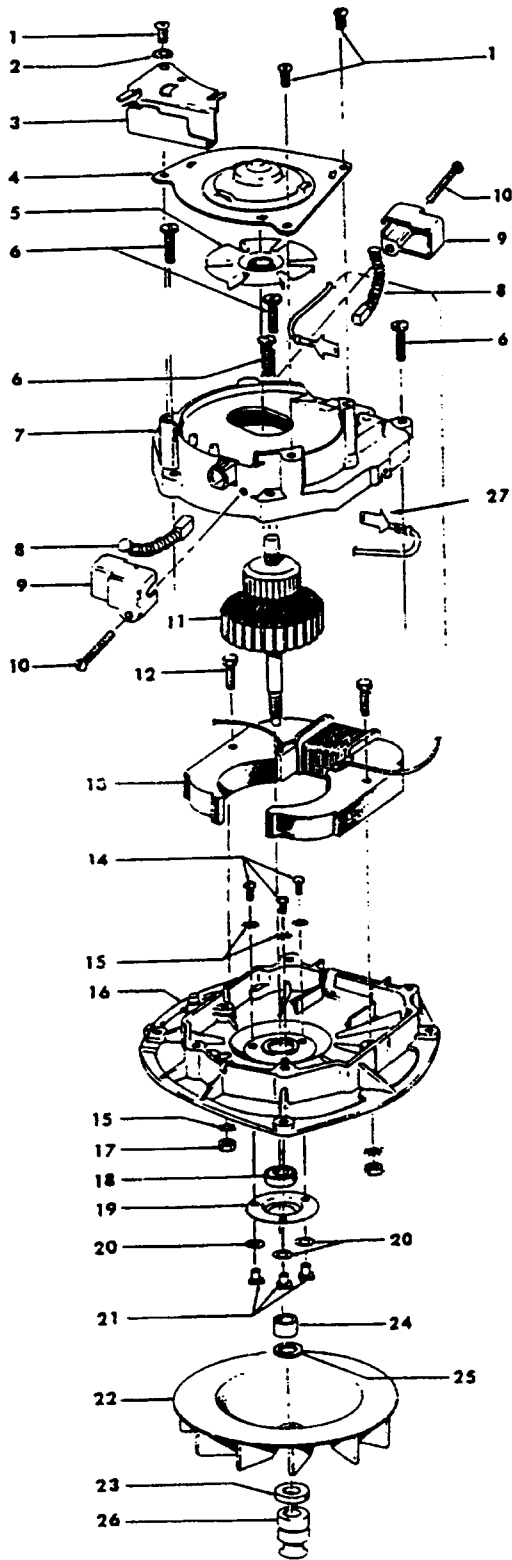
48414002	+ Heavy Duty Commercial (Use 47159 Brush-Long, 47160 Brush-Short & 46875 Sems Fastener)
48414003	Lightweight Commercial (Use 160646BZ Brush & 36422003 Agitator End)

### TWO BRUSH W/O BEATER BAR

48414021	Agitator (Molded Thread Guards)
----------	---------------------------------

**Motor**

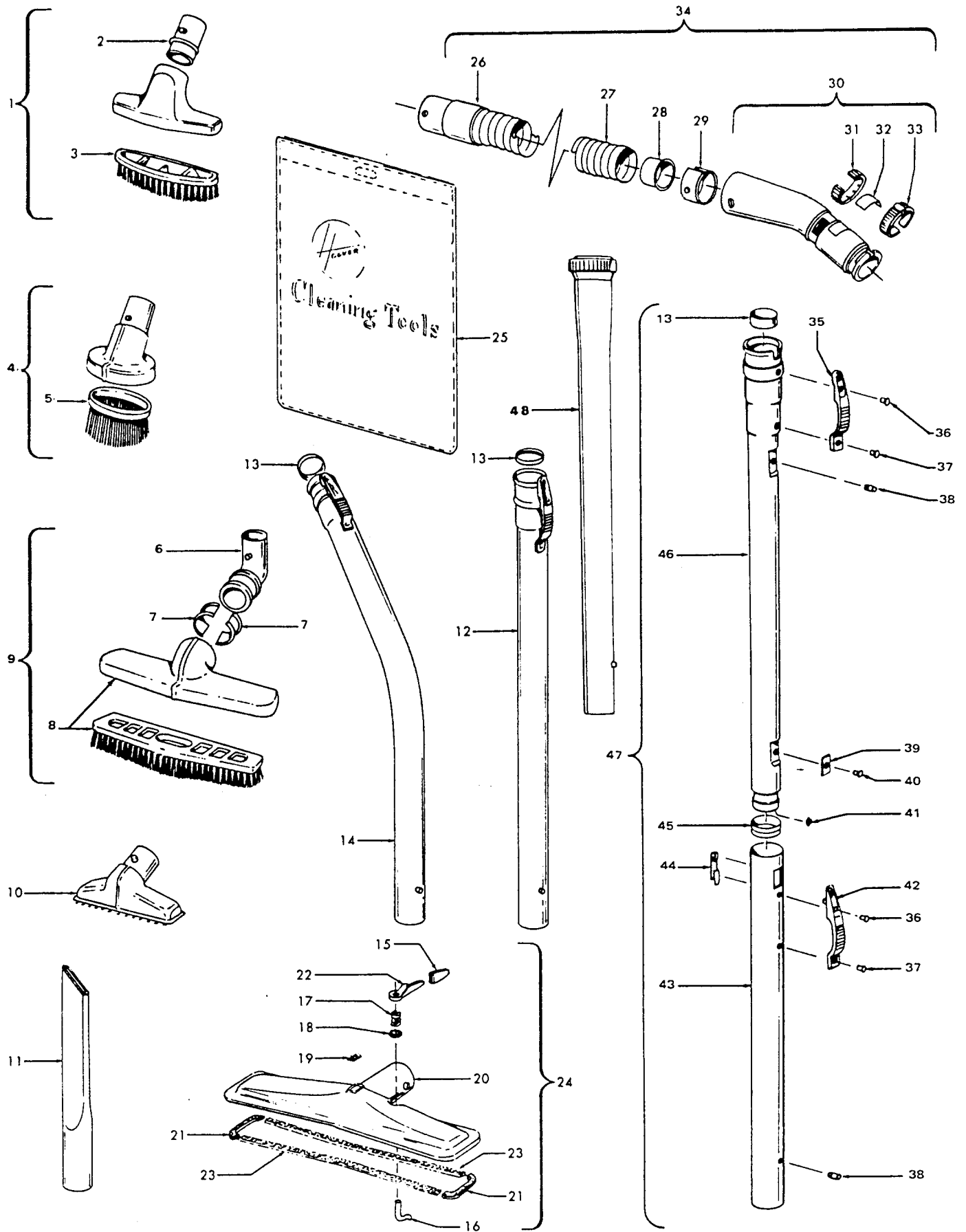
**Models U4307, U4317, U4327, U4359, U4369 U4379, U4395, U4405, U4423, U4445-9, U4495, U4595**



Ref. No.	Part No.	Description
1	45533AY	+* Screw
2	14062	* Washer - U4307
3	41961009	Indicator Guide - U4307, U4339
4	42934002	Upper Bearing
5	38755004	Vent Fan
6	161535	* Screw
7	19857	+ Upper Motor Case
8	47318012	Carbon Brush
9	36315003	Brush Insulator
	36315003	Brush Cap - U4423, U4425, U4445-9, U4495, U4595
10	46930AZ	+* Screw - U4307/17/27/39/59/69/79/95, U4405
11	44765085	Armature
12	45118	* Bolt
13	45412017	Field
	45412018	Field - U4423, U4425, U4495, U4595
14	21772501	* Screw
15	14062	* Washer
16	42193006	Lower Motor Case
17	15673	* Nut
18	43267006	Bearing & Hardware.
19	32184003	Bearing Retainer
20	19772	* Washer
21	45251	Nut
22	38755011	Fan
23	31162004	* Washer
24	31731002	Spacer
	31731006	Spacer - U4405, U4423, U4425, U4445-9, U4495, U4595
25	166563	* Washer
26	38532009	Motor Pulley
27	14320	* Terminal
	43574140	Motor -U4307, U4339 U4317, U4327, U4359, U4369, U4379, U4395
	43574190	Motor - U4405, U4445-9
	43574161	Motor - U4423, U4425, U4495

**ITEMS NOT ILLUSTRATED**

40300014	Armature Spacer/Split Sleeve Kit (For use with Lower Mtr. Brgs. with 4 Attachment Holes)
43267006	Bearing Assem. Comp. (Consists of Items 14,15,17,18,19,20,21)
35276006	Indicator Guide Spring



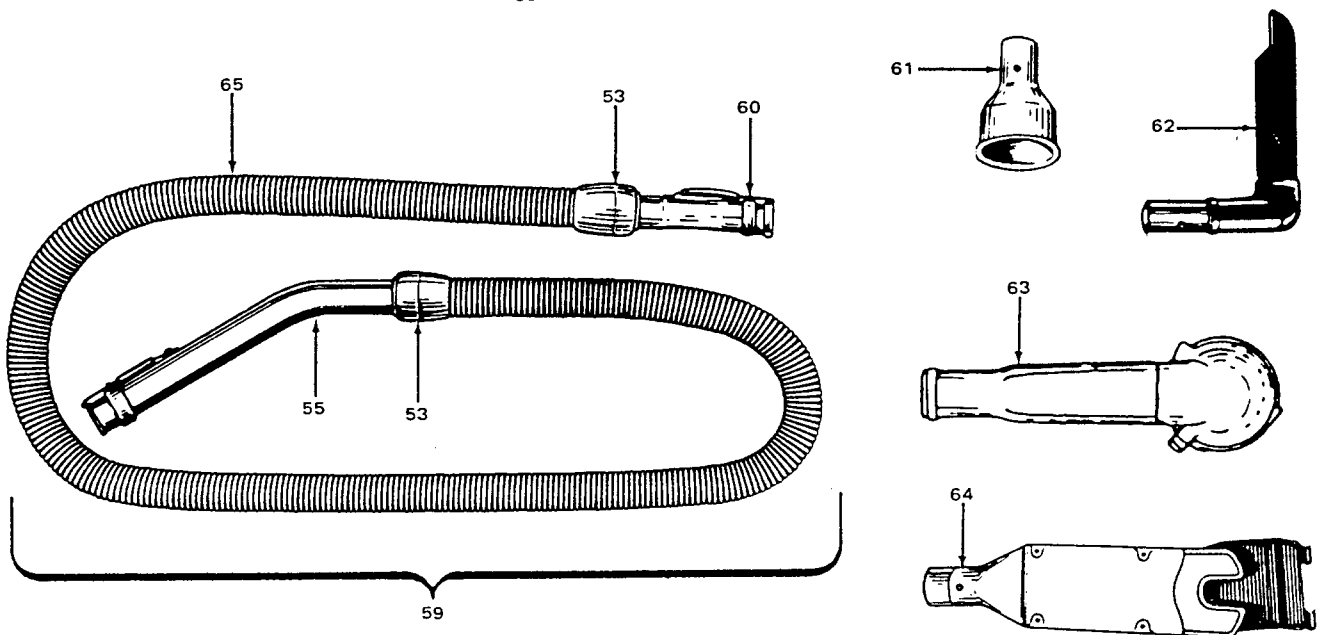
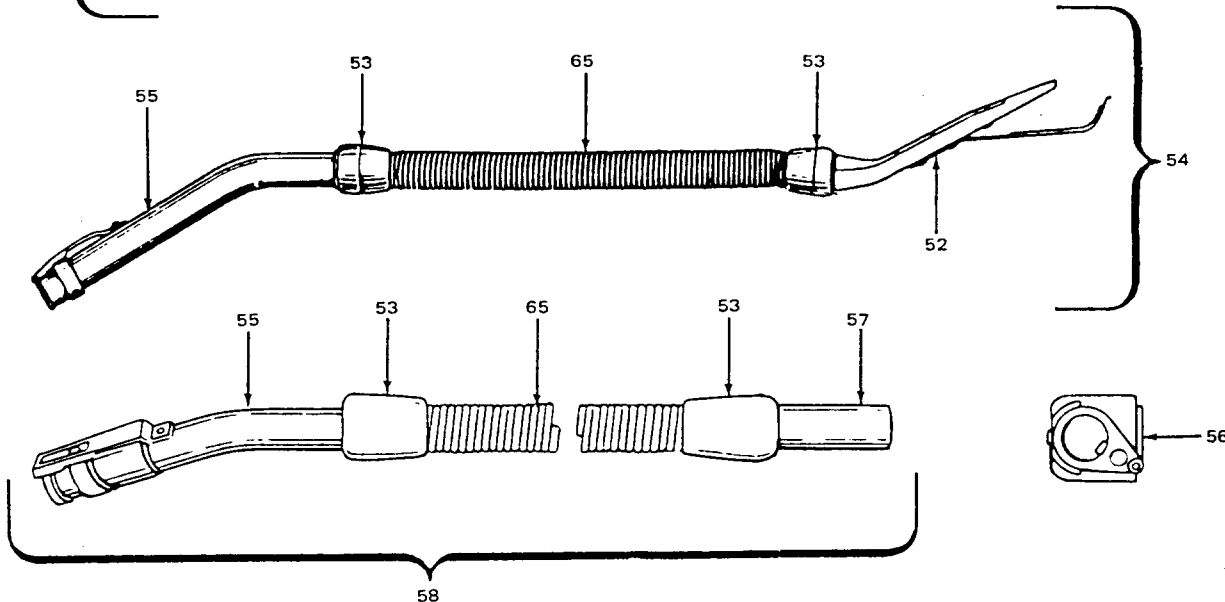
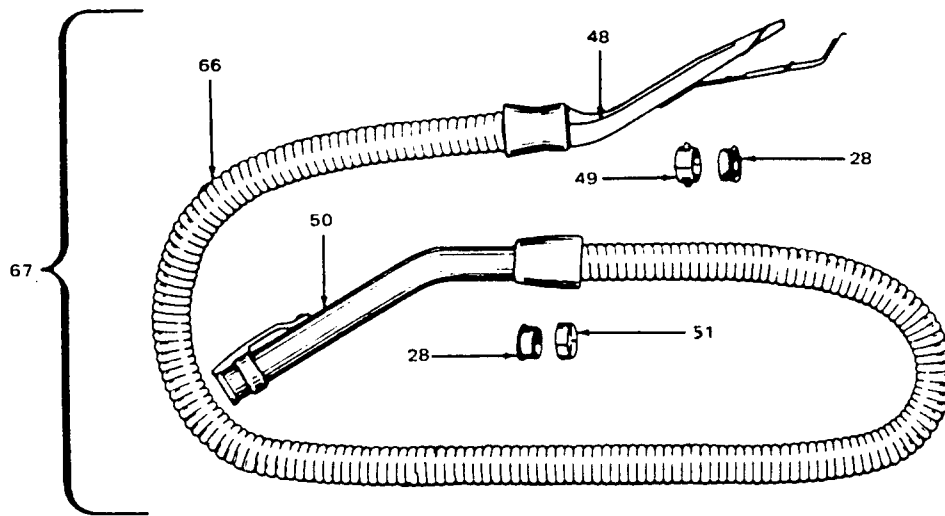
# Cleaning Tools

Ref. No.	Part No.	Description
1	161852JM 43414016	+ Furniture Brush Furniture Brush - AG
2	13149JM	Nozzle Connector Tube (Use w/ 161852JM)
3	13254BZ	+ Furniture Brush Back (Use w/161852JM)
4	161851JM 43414064 43414145	+ Dusting Brush Comp. Dusting Brush (One Piece) (Std Fit) Dusting Brush - Friction
	13263BZ	+ Brush (Use w/ 61851 JM)
6	13154JM	+ Floor Brush Swivel & Collar (Use w/13077JM)
	38644040	Swivel Connector (Use w/43414073)
7	13276	Floor Brush Swivel Bushing (Use w/13154JM)
	33712007	Split Ring (Use w/38644040)
8	13155JM	+ Floor Brush Nozzle & Brush (Use w/ 13077JM)
	13077JM	+ Floor Brush
	43414073	Floor Brush - (Standard Fit)
	43414135	Floor Brush - AAP (Friction Fit)
10	43414057	Furniture Nozzle - (Standard Fit)
	38614029	Furniture Nozzle - AG - (Friction Fit)
11	38617017	Crevice Tool - AG - (Standard Fit)
	38617024	Crevice Tool
12	43453027	Extension Tube (Standard Fit)
13	12845JM	Gasket
14	43466040	Ext. Tube - Curved (Short) (Std. Fit)
15	34207AG	Handle Control Foot Pad
16	33126001	+ Latch - AW
17	38311006	+ Spring
18	161549	+ Washer
19	34121001	Pad - Felt
20	43482097	Converter Body Assem.
21	34253003	+ Seal - End
22	38452026	+ Latch Lever
23	34113005	+ Seal - Side
24	43482097	Converter Body Assem. Conversion - (Standard & Friction Fit)
25	58544004	+ Cleaning Tool Bag
26	32288007	Hose Connector (Use w/Continuous Convolution Hose) - (Standard Fit)
	32288003	Hose Connector - JM (Use w/Circular Ribbed Hose) - (Standard Fit)
	32288004	Hose Connector - AAP (Use /Circular Ribbed Hose) - (Std. & Friction Fit)
27	43434203 38671001	Hose Complete - AAP Hose Less Ends - JM (Circular Ribbed) - (Std. Fit Ends)
	38671028	+ Hose Less Ends - AAP (Circular Ribbed) - (Std. Fit Ends)
	38671030	+ Hose Less Ends (Circular Ribbed) - (Friction Fit Ends)
28	32156010	Hose Sleeve - (Standard Fit Hose)
29	36116006	Hose Connector Collar (Use w/ Continuous Convolution Hose) (Standard Fit Hose)
	36171025	Hose Connector Collar (Use w/Circular Ribbed Hose) - (Standard Fit Hose)

# Convertible

Ref. No.	Part No.	Description
30	43466044	Hose Connector Curved w/Rings-AAP (Use w/Continuous Convolution Hose) (Std. Fit)
	43466055	+ Hose Connector Curved w/Latch Ring- JM (w/o Suction Regulator) (Use w/ Circular Ribbed Hose) - (Standard Fit)
	43466058	Hose Connector Curved w/Latch Ring AAP (w/o Suction Regulator) - Use w/Circular Ribbed Hose - (Std. Fit)
	39454059	Hose Connector - AAP -
31	38711006	Suction Control Ring - (Standard)
32	51869006	Hose Connector Label - (Standard)
33	36153009	Latch Ring - MV - (Standard)
34	43434203	Hose Comp. - Front Conversion (Continuous Convolution) (w/o Suction Regulator) - (Standard Fit)
	43434209	Hose Comp. - Front Conversion - JM (Circular Ribbed) (w/o Suction Regulator) - (Standard Fit)
	43434210	Hose Comp. - Front Conversion - AAP (Circular Ribbed w/o Suction Regulator) (Standard Fit)
	43434225	+ Hose Comp. - AAP - (Friction Fit)
35	12846AG	Tube Latch
36	12772	+* Rivet
37	12783	+* Rivet
38	12763AW	* Rivet
39	12824	+ Reinforcement Plate
40	12600	Rivet
41	21312704	* Washer
42	36152018	Tube Latch - Outer
43	12597	Extension Tube - Outer
44	12589	Extension Tube Guide
45	12844JM	+ Gasket - Inner
46	12598	+ Extension Tube - Inner
47	43458001	Extension Tube - (Standard Fit)
48	3863801P 38634078	Extension Tube - Poly - AG Extension Tube (Polystyrene) - AAP - (Friction Fit)

Standard Fit Tools ... w/Retention Pin  
Friction Fit Tools ... w/o Retention Pin





## Cleaning Tools

Ref. No.	Part No.	Description
48	13147JM	+ Converter (Std. - Rear Conversion)
49	12615BZ	Hose Converter Collar
50	43466044	Hose Grip - AAP - SC
51	12704BZ	Hose Grip Collar
52	23473JM	+ Converter (Except 63, 64) (Use w/ Hose 48617)
53	23393JM	Hose Grip
54	12864JM	+ Hose Comp. - Ultraflex (Equipped w/Converter 23473)
55	13143	Hose Tube Curved
56	43452503	Converter - 1330, 1348, 1348-002
57	17959A	+ Hose Connector Tube - 1330 (Metal)
	641398LL	+ Hose Connector Tube - 1348, 1348-002 (Plastic)
58	19633JM	+ Hose Comp. - Ultraflex - 1330, 1340, 1348, 1348-002
59	22671JM	+ Hose Comp. - Ultraflex (Commercial) Use w/Converter 34202 or 35190)
	23007A	+ Hose Comp. - Ultraflex (Use w/Converter 35447)

## Convertible

Ref. No.	Part No.	Description
60	34083	+ Hose End - 14, 63, 64
	34355	+ Hose End Short (Commercial)
61	34984A	+ Blower (Use w/Hose 22671)
62	35447	+ Converter - Special - 63, 64
63	35190	Converter (Use w/Hose 22671)
64	34202JM	+ Converter (Use w/Hose 22671)
65	48617JM	+ Hose Less Ends
66	43434213	Hose Less Ends
67	12864JM	+ Hose Assem. Comp. - Tufflex (Std. Rear Conversion)

### ITEMS NOT ILLUSTRATED

161728	+ Turbine Roto - Power Brush
169460JM	+ Ultraflex Hose - 50' length
43431011	+ Tufflex Hose - 50' length