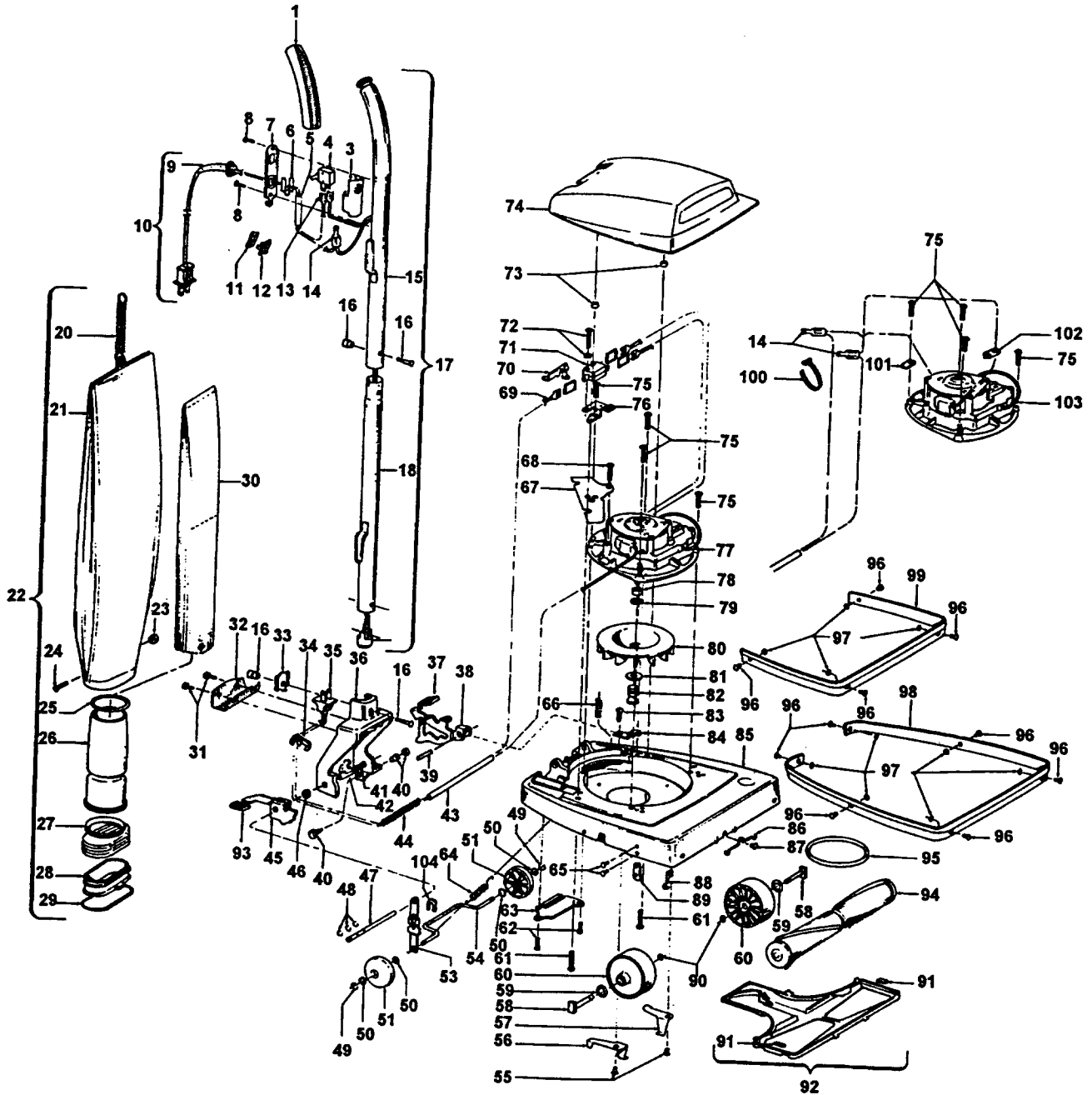


Convertible

Models U4119, U4127, U4129, U4145, U4165, U4171, U4173, U4173-001, U4187, U4189, U4193, U4199, U4303, U4305, U4315, U4325, U4331-9, U4335, U4341, U4343, U4349, U4349-1, U4357-9, U4363, U4363-042, U4363-045, U4365, U4365-048, U4367, U4371, U4371-042, U4371-045, U4373, U4373-048, U4375-9, U4377-9, U4377-935, U4387, U4389-9, U4393, U4393-048, U4399-9, U4401-9, U4401-948, U4403, U4403-042, U4403-048, U4409-9, U4411-9, U4411-948, U4413, U4413-042, U4413-045, U4449, U4449-048



Convertible

Models U4119, U4127, U4129, U4145, U4165, U4171, U4173, U4173-001, U4187, U4189, U4193, U4199, U4303, U4305, U4315, U4325, U4331-9, U4335, U4341, U4343, U4349, U4349-1, U4357-9, U4363, U4363-042, U4363-045, U4365, U4365-048, U4367, U4371, U4371-042, U4371-045, U4373, U4373-048, U4375-9, U4377-9, U4377-935, U4387, U4389-9, U4393, U4393-048, U4399-9, U4401-9, U4401-948, U4403, U4403-042, U4403-048, U4409-9, U4411-9, U4411-948, U4413, U4413-042, U4413-045, U4449, U4449-048

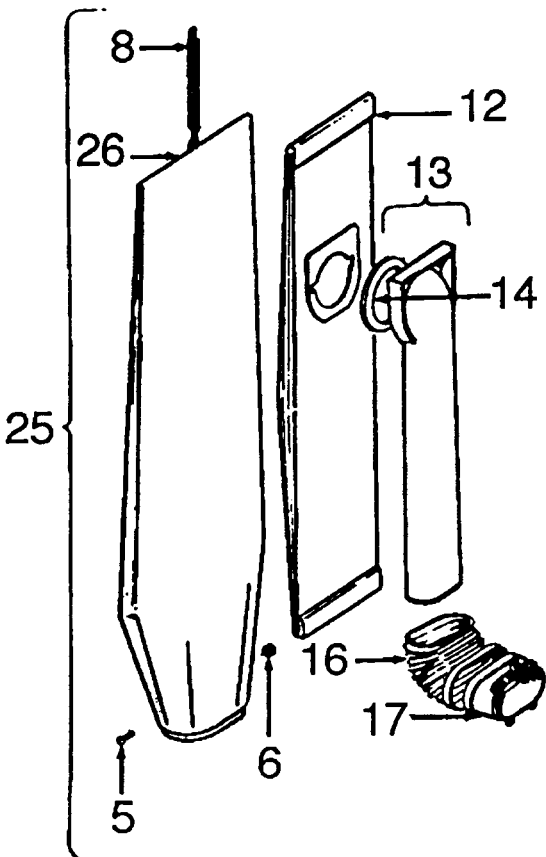
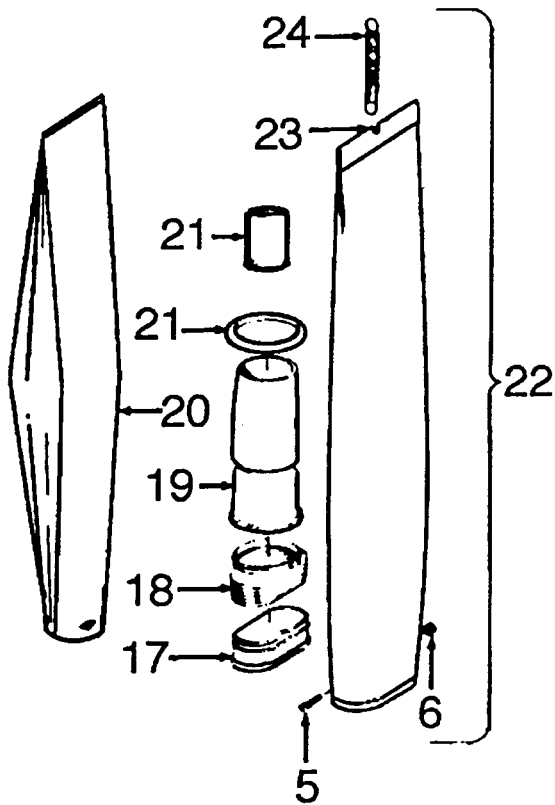
Ref. No.	Part No.	Description	Ref. No.	Part No.	Description
1	23458JM 23458LY	Handle Grip Handle Grip - U4411-948	17	11969JM	+ Handle Comp. (models w/Toggle Switch) - U4119, U4171, U4173, U4173-001, U4187, U4199, U4325, U4335, U4357-9
3	12272 37214070	+ Insulator (Models w/Toggle Switch) Switch Case (Models w/Slide Switch)		11969VN	+ Handle Comp. (Models w/Toggle Switch)
4	12971 281770KD	Toggle Switch Slide Switch		19638JM	+ Handle Comp. (Models w/Toggle Switch) - U4126
5	161935JM	+* Tubing (Models w/Toggle Switch)		19984KZ	+ Handle Comp. (Models w/Toggle Switch)
6	12988AW	+* Retainer Models w/Toaale Switch)		19984VN	+ Handle Comp. (Models w/Toggle Switch)
	34253010	* Retainer Models w/Slid4 Switch)		19984HR	+ Handle Comp. (Models w/Toggle Switch)
7	23138AW	Switch Plate - Metal (Models w/Toggle Switch)		19984JR	+ Handle Comp. (Models w/Toggle Switch)
	37258022	Switch Plate - Plastic (Models w/Slide Switch)		48655066	+ Handle Comp. (Models w/Toggle Switch)
				19984JM	+ Handle Comp. (Models w/Toggle Switch) - U4331-9, U4349-1
8	21465314	* Screw (Use 2 w/23138: Use 1 w/37258022)		48655067	+ Handle Comp. (Models w/Toggle Switch)
9	31969AG 36216002	Cord Protector Cord Protector (Use w/Plastic Switch Plate)		48655069	+ Handle Comp. (Models w/Toggle Switch) - U4127, U4129, U4145, U4165, U4189, U4193, U4303, U4343, U4341, U4349
10	46363195 46383231	Cord + Attach. Cord - MP - U4411-948		48655096	+ Handle Comp. (Models w/Toggle Switch) - U4315
11	12260	+ Strain Relief Body		48655197	Handle Comp. (Slide Switch) - U4411-948
12	12261	+ Strain Relief Lock		48655208	Handle Comp. (Models W/Slide Switch) - U4119, U4127, U4173-001 U4189, U4193, U4303, U4305, U4315, U4325, U4331-9, U4335 U4341, U4343, U4349, U4357-9, U4363, U4363-042, U4363-045, U4365, U4365-048, U4367, U4371, U4371-042, U4371-045, U4373, U4373-048, U4375-9, U4377-9, U4377-935, U4387, U4389-9, U4393, U4393-048, U4399-9, U4401-9, U4401-948, U4403, U4403-042, U4403-048, U4409-9, U4411-9, U4411-948, U4413, U4413-042, U4413-045, U4449, 4449-048
13	160356 27666702	* Terminal (Models w/toggle Switch) * Terminal (Models w/Slide Switch)	18	48631140	+ Handle - Lower Half
14	12227	Insulated Terminal		48631132	+ Handle - Lower Half
15	19985VN	+ Handle - Upper Half (Models w/Toggle Switch) - U4303	19	34484JM	+ Handle Recept. Models w/Toggle Switch
	35346VN	+ Handle - Upper Half (Models w/toggle Switch) - U4305		46326110	Handle Receptacle Models w/Slide Switch)
	48642024	+ Handle - Upper Half (Models w/Toggle Switch) - U4193	20	38335006	Jacket Support Spring
	48642039	+ Handle - Upper Half (Models w/toggle Switch) - U4189		38336014	Jacket Support Spring - U4303, U4349, U4349-1, U4365-048, U4367, U4373-048, U4387, U4377-935, U4393-048, U4401-948, U4411-948, U4449-048, U4403-048, U4409-9 (Top Fill Models)
	48642044	+ Handle - Upper Half (Models w/Toggle Switch) - U4331-9		44475AW	+ Jacket Support Spring
	48642013	+ Handle - Upper Half (Models w/toggle Switch) - U4343	21	43677321	Outer Bag - Common - Bottom Fill
	48642014	+ Handle - Upper Half (Models w/Toggle Switch) - U4341		43677322	Outer Bag - Common - Top Fill
	48642049	Handle - Upper Half (Models w/toggle Switch) - U4349		43677156	+ Outer Bag - U4377-9
	48655208	Handle-Upper Half-JM (Models w/Slide Switch) - Remaining Models		43677106	+ Outer Bag - U4387
16	48294 AW	Handle Bolt & Nut- U4119, U4127, U4129, U4145, U4165, U4171, U4173, U4173-001, U4187, U4189, U4193, U4199, U4303, U4305, U4315, U4325		43677258	+ Outer Bag - U4389-9
	32277008	Handle Nut (2)		43677269	+ Outer Bag - U4367 (Bottom Fill Models)
	21631301	Handle Bolt		43677260	+ Outer Bag - U4393 (Bottom Fill Models)
	21631302	Handle Bolt (Bail)		43677083	+ Outer Bag - U4399-9
				43677118	+ Outer Bag - U4409-9
				43686037	Outer Bag - U4411-948
			22	43678331	Outer Bag Comp.-Common-Bottom Fill
				43678330	Outer Bag Comp.-Common-Top Fill
				43678153	+ Outer Bag Comp.

Convertible

Models U4119, U4127, U4129, U4145, U4165, U4171, U4173, U4173-001, U4187, U4189, U4193, U4199, U4303, U4305, U4315, U4325, U4331-9, U4335, U4341, U4343, U4349, U4349-1, U4357-9, U4363, U4363-042, U4363-045, U4365, U4365-048, U4367, U4371, U4371-042, U4371-045, U4373, U4373-048, U4375-9, U4377-9, U4377-935, U4387, U4389-9, U4393, U4393-048, U4399-9, U4401-9, U4401-948, U4403, U4403-042, U4403-048, U4409-9, U4411-9, U4411-948, U4413, U4413-042, U4413-045, U4449, U4449-048

Ref. No.	Part No.	Description	50	32182001 21312772	* Wheel Retainer - Plastic (2) Use w/33152003 * Washer (Use 1 w/33152003; Use 4 w/33141011)
	43678153	+ Outer Bag Comp.			
	43678330	Outer Bag Comp. - Common - JM - U4387			
	43678331	Outer Bag Comp. - Common - JM - U4389-9			
	43678284	Outer Bag Comp. - U4399-9			
	43678162	+ Outer Bag Comp. - U4403, U4403-042			
	43678182	Outer Bag Comp. - U4409-9			
	43678340	+ Outer Bag Comp.			
23	15854EF	* Nut			
24	21765159	* Screw			
25	46550AG	Disposable Bag Retainer - N/A U4303, U4349, U4349-1, U4365-048, U4373-048, U4377-935, U4393-048, U4401-948, U4403-048, U4409-9, U4411-948, U4449-048			
26	161889 38657004	Support Tube Top Fill Tube & Seal - U4303, U4349, U4349-1, U4365-048, U4367, U4373-048, U4377-935, U4387, U4393-048, U4401-948, U4403-048, U4409-9, U4411-948, U4449-048 (Top Fill Models)			
27	11064JM 38673009	Bellows Bellows - U4303, U4349, U4349-1, U4365-048, U4367, U4373-048, U4377-935, U4387, U4393-048, U4401-948, U4403-048, U4409-9, U4411-948, U4449-048 (Top Fill Models)			
28	41424011	Bag Flange Assem.			
29	47454	+ Bag Flange Gasket (Use w/48961)			
30	4010003C 4010001A	Throw Away Bag 4 Pk. Throw Away Bag (3 Pk.) - U4303 U4349, U4349-1, U4365-048, U4367, U4373-048, U4377-935, U4387, U4393-048, U4401-948, U4403-048, U4409-9, U4411-948, U4449-048 (Top Fill Models)			
31	21481752	* Screw - Self Tapping (2)			
32	34192	Bail Grip			
33	35463002	Handle Retainer Plate			
34	39442030	+ Cord Clip			
35	23296AG	Handle Socket Plug			
36	41416030 41416032	Bail Bail - U4305, U4303, U4331-9, U4349			
37	38426080 38426071	Foot Pad - AG Foot Pad - DS - U4349, U4349-1			
38	43137036 43137047	Handle Control Lever Comp. - JM Handle Control Lever Comp. - AG			
39	47450AY	Handle Control Lever Pivot Pin			
40	11735	Roller Detent Assem.			
41	48409FW	Spring			
42	19907--	Bag Flange Clamp Lever			
43	31727023	Cord Cover Tubing			
44	38313023	Motor Lead Spring			
45	161511AY 38452051	Nozzle Adj. Lever - Metal (Use w/ 161514 Nozzle Adj. Lever - Plastic (Use w/43263003) N/A - U4363, U4371, U4401-9 (Late Models), U4403, U4413, U4449			
	38452046	Nozzle Adj. Lever - Plastic (Use w/43263005) U4363-042, U4363-045, U4365-048, U4371-042, U4371-045, U4373-048, U4401-9 (Early Models) U4403-042, U4403-048, U4413-042, U4413-045			
	161507	+* Washer (Use w/Metal Nozzle Adj. Lever)			
47	161509AY	Bail Shaft			
48	13730	* Lock Ring (Use 3 w/161511; Use 2 w/38452051)			
49	17207AZ	* Lock Ring - Metal (2) Use w/3314101 1)			

Outer Bag/ Outer Bag Comp.

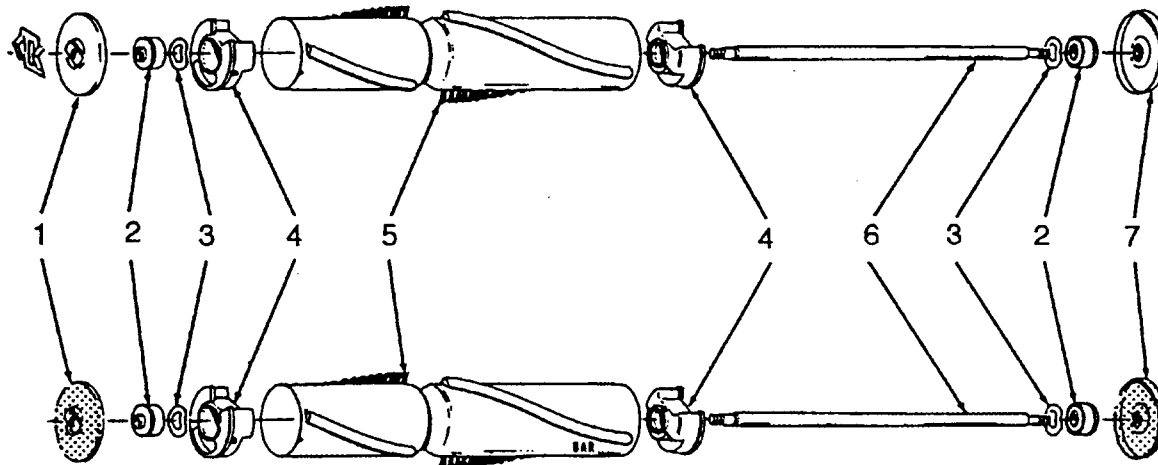
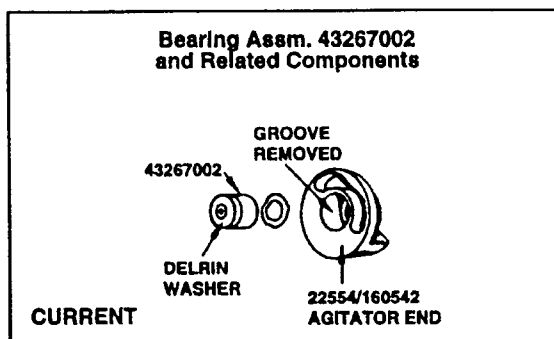
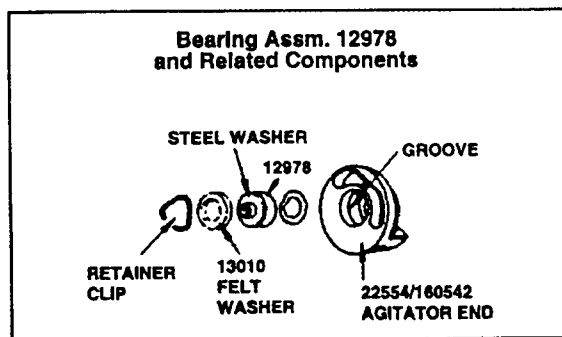


Ref. No.	Part No.	Description
5	21765159	Screw
6	15854EF	* Nut
8	38336014	Jacket Support Spring
12	4010001A	Throw Away Bag (3 Pk.)
13	43482058	+ Top Fill Tube & Seal (Shown)
	38657004	Top Fill Tube (Push on Type)
14	32174004	Bag Collar Seal (Use w/Item 13 - 43482058)
16	38673009	Bellows
17	41424011	Bag Ring & Gasket
	41424502	+ Bag Ring & Gasket - U4014-079
18	11064JM	Bellow
19	161889	Bag Support Tube
20	4010003C	Throw Away Bag (4 Pk.)
	4010004C	+ Throw Away Bag (1 2 Pk.)
21	46550AG	Bag Retainer
21	35091	+ Bag Retainer Sleeve - Early Models
22	43678331	Outer Bag Comp. - Bottom Fill - Wide - Common
	43678052	+ Outer Bag Comp. - Bottom Fill - Narrow - Common
23	43677052	+ Outer Bag - Bottom Fill - Narrow - Common
	43677321	Outer Bag - Bottom Fill - Wide - Common
	43686510	Outer Bag - U4014-079 (Zip)
24	38335006	Jacket Support Spring
25	43678330	Outer Bag Comp. - Top Fill - Common
26	43677322	Outer Bag - Top Fill - Common

ITEMS NOT ILLUSTRATED

37911043	+ Header Cap - U4087 (JE)
37911044	+ Header Cap - U4091 (AR)
37911045	+ Header Cap - U4075 (EW)
37911047	+ Header Cap - U4093 (ET)
41129008	Cable Tie & Instruction Sheet (Used to secure the vinyl outer Jacket to the Bag Ring)
36953003	Hanger (Used in the repair of Item #'s 22,23,25,26. Secures Jacket Support Spring to Outer Bag/Outer Bag Comp.)

Agitator



Ref. No.	Part No.	Description
1	49180	Thread Guard & Spring (Metal)
	36423003	+ Thread Guard L.H. (Molded)
2	43267002	Bearing
3	21347003	* Thrust Washer
4	22554	Agitator End (Early Model Standard Performance Cleaners, L.H. Helix)
	160542	Agitator End (Standard & High Performance Cleaners, R.H. Helix)
	41435070	Agitator End (Use w/two brush agitator Pt. #48414021)
5	12998BZ	Agitator Brush - 8 mil (Early Model Standard Performance Cleaners, L.H. Helix)
	160646BZ	Agitator Brush - 8 mil (Standard Performance Cleaners, R.H. Helix)
	48445001	Agitator Brush - 11 mil (High Performance Cleaners, R.H. Helix)
6	12981	+ Agitator Shaft (Used w/metal thread guards)
	32724008	Agitator Shaft (Used w/molded thread guards)
7	12985AY	Thread Guard R.H. (Metal)
	36423007	+ Thread Guard R.H. (Molded)

AGITATOR BELT

Ref. No.	Part No.	Description
	49258AG	Domestic models, Convertible/Decade 80/Heavy Duty Commercials
	44783AG	Lightweight Commercials

AGITATOR ASSEMBLY

	169371MF	+ Standard Performance, R.H. Helix (Metal Thread Guards)
	41435005	High Performance Cleaners, R.H. Helix (Metal Thread Guards w/Spring)
	48414006	+ High Performance Cleaners, R.H. Helix (Metal Thread Guards)
	48414007	+ Standard Performance, R.H. Helix (Molded Thread Guards)

FOUR BRUSH AGITATOR ASSEMBLY

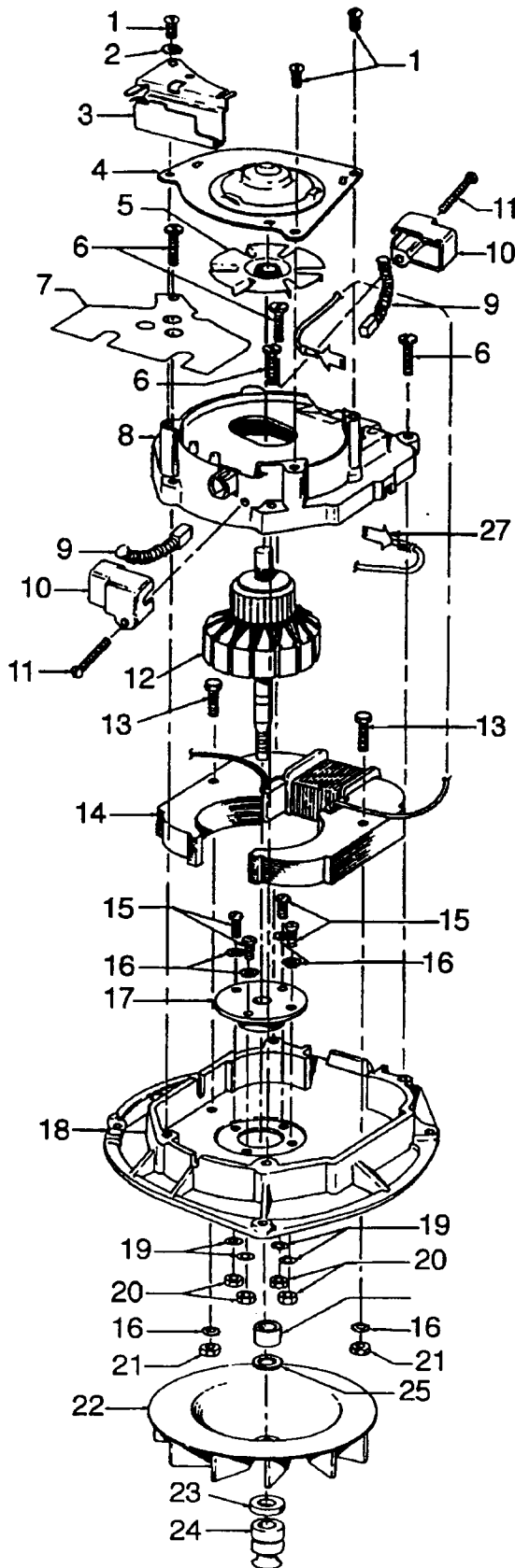
	48414002	+ Heavy Duty Commercial (Use 47159 Brush-Long, 47160 Brush-Short & 46875 Sems Fastener)
	48414003	Lightweight Commercial (Use 160646BZ Brush & 36422003 Agitator End)

TWO BRUSH W/O BEATER BAR

	48414021	Agitator (Molded Thread Guards)
--	----------	---------------------------------

Motor

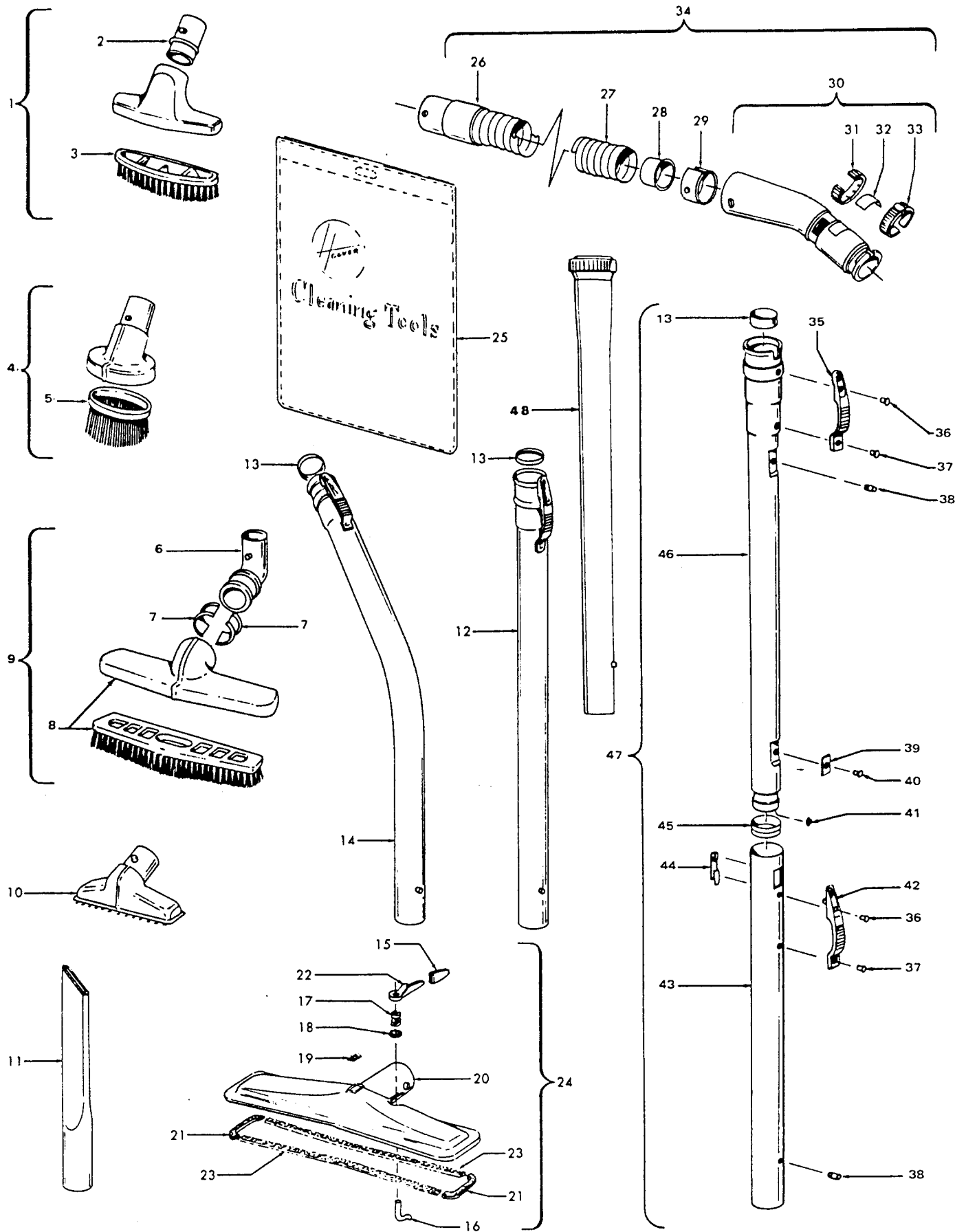
Models U4119, U4121, U4127, U4129, U4145, U4165, U4171, U4173, U4173-001, U4185, U4187



Ref. No.	Part No.	Description
1	45533AY	+* Screw - Machine (3)
2		Not Applicable
3		Not Applicable
4	42934002	Upper Motor Bearing
5	38755004	Fan
6	161535	* Screw - Self Tapping (4)
7	45517	* Lead Wire Holder - U4119, U4127, U4171, U4173, U4173-001, U4187
	164684	+ Insulation Shield - U4121, U4129, U4145, U4165, U4185
8	19857	+ Upper Motor Casing
9	47318012	Carbon Brush
10	14322	Brush Insulator
11	46930AZ	+* Screw (2)
12	44765085	Armature
13	45118	* Bolt (2)
14	45412014	+ Field - U4121, U4129, U4145, U4165, U4185
	45412015	Field - U4119, U4127, U4171, U4173, U4173-001, U4187
15	21772501	* Screw (4)
16	14062	* Lockwasher (6)
17	19829	Bearing Replacement Kit
18	42192010	Lower Motor Case
19	19772	* Washer (4)
20	45251	Nut (4)
21	15673	* Nut (2)
22	38755011	Fan - Polycarbonate (Black)
23	31162004	* Washer - Heat Insulating
24	38532009	Motor Pulley
25	169241AW	* Washer
26	163059	+ Fan Spacer
27	14320	Terminal
	43574133	Motor - U4119, U4127, U4171, U4173, U4173-001, U4187
	43574161	Motor - U4121
	43574140	Motor - U4165, U4185
	43574045	+ Motor - U4129, U4145

ITEMS NOT ILLUSTRATED

27317307	Dirt Finder Lamp - U4165
17016	Dirt Finder Socket - U4165
17001	FW * Screw - Self Tapping (Lamp Socket/ Motor Casing) - U4185
27313101	Dirt Finder Lamp - U4185
27725506	Receptacle Terminal (2) (Lamp Socket) - U4185
36912004	Lamp Socket (Use w/Screw 17001FW) -U4185
40300014	Armature Spacer/Split Sleeve Kit (For use with Lower Mtr. Brgs. with 4 Attachment Holes)



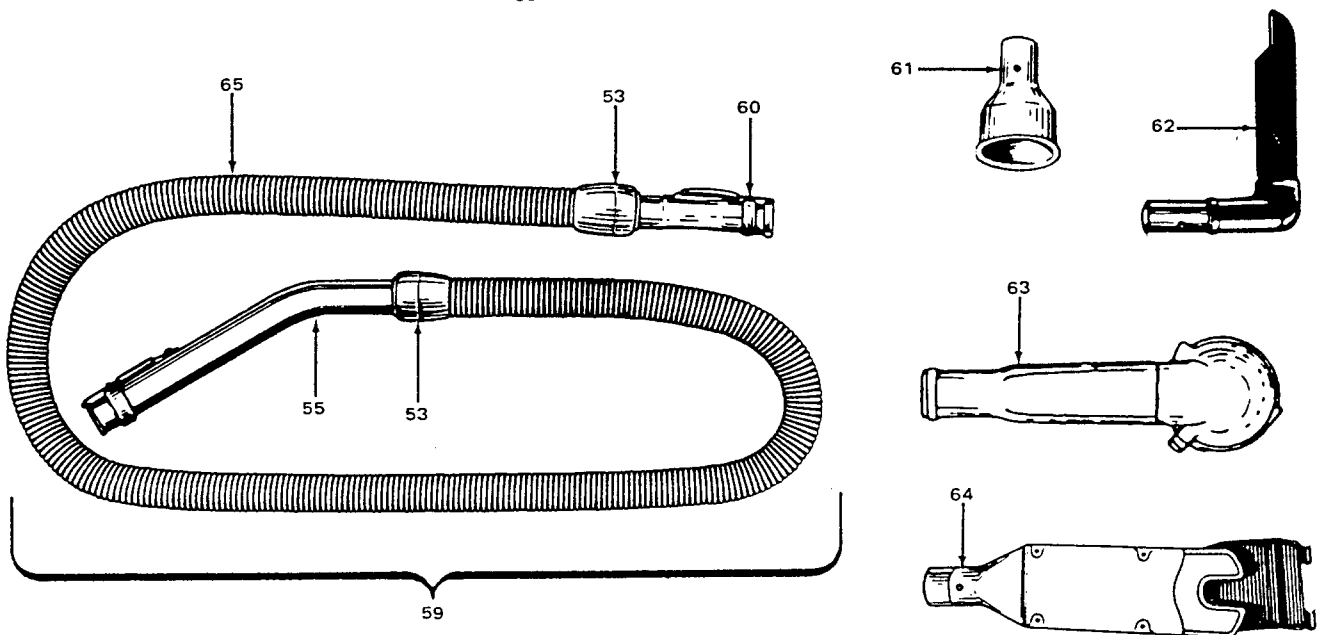
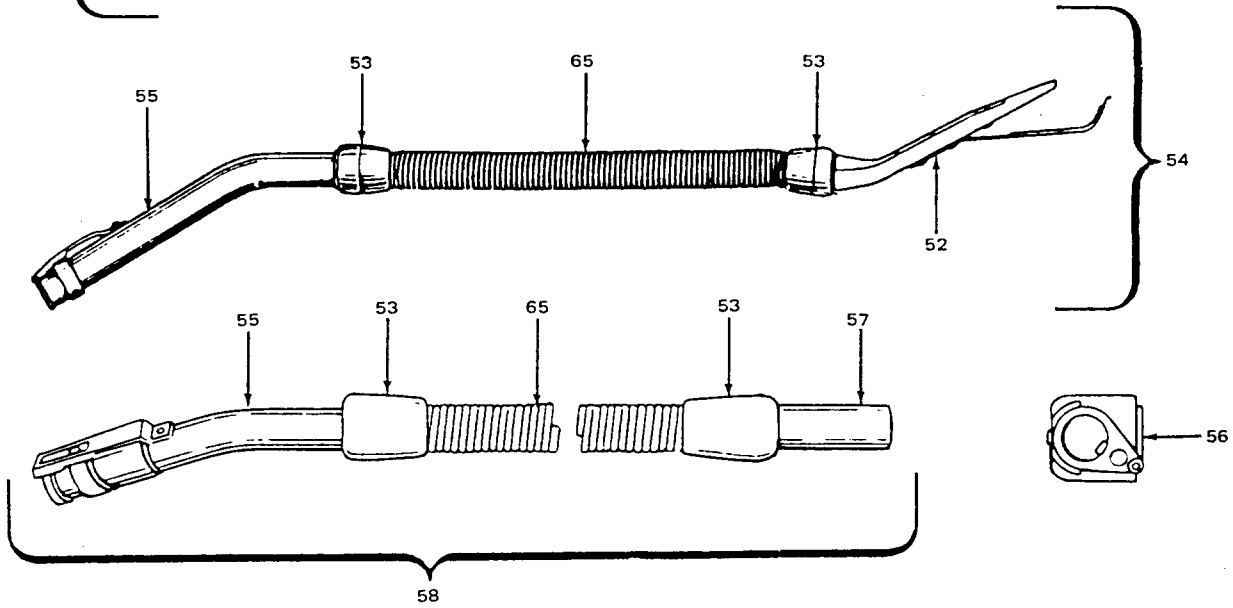
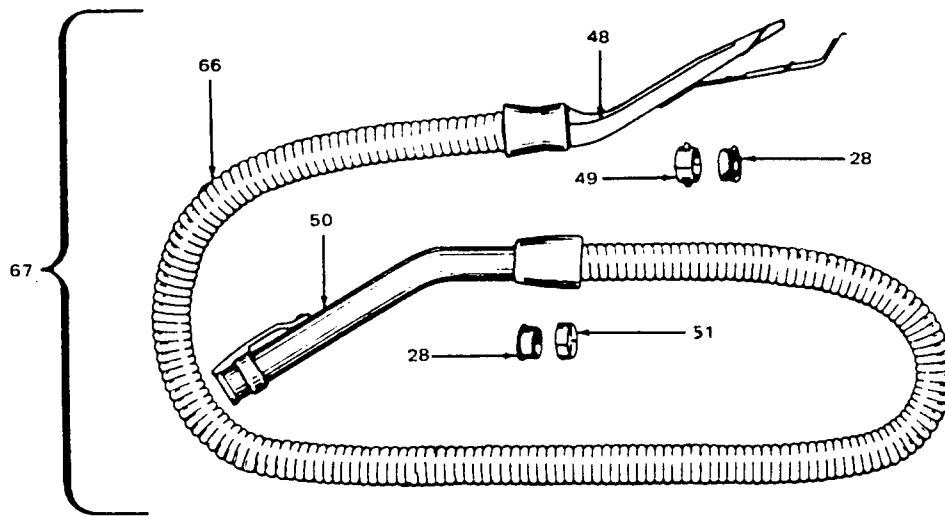
Cleaning Tools

Ref. No.	Part No.	Description
1	161852JM 43414016	+ Furniture Brush Furniture Brush - AG
2	13149JM	Nozzle Connector Tube (Use w/ 161852JM)
3	13254BZ	+ Furniture Brush Back (Use w/161852JM)
4	161851JM 43414064 43414145	+ Dusting Brush Comp. Dusting Brush (One Piece) (Std Fit) Dusting Brush - Friction
	13263BZ	+ Brush (Use w/ 61851 JM)
6	13154JM	+ Floor Brush Swivel & Collar (Use w/13077JM)
	38644040	Swivel Connector (Use w/43414073)
7	13276	Floor Brush Swivel Bushing (Use w/13154JM)
	33712007	Split Ring (Use w/38644040)
8	13155JM	+ Floor Brush Nozzle & Brush (Use w/ 13077JM)
	13077JM	+ Floor Brush
	43414073	Floor Brush - (Standard Fit)
	43414135	Floor Brush - AAP (Friction Fit)
10	43414057	Furniture Nozzle - (Standard Fit)
	38614029	Furniture Nozzle - AG - (Friction Fit)
11	38617017	Crevice Tool - AG - (Standard Fit)
	38617024	Crevice Tool
12	43453027	Extension Tube (Standard Fit)
13	12845JM	Gasket
14	43466040	Ext. Tube - Curved (Short) (Std. Fit)
15	34207AG	Handle Control Foot Pad
16	33126001	+ Latch - AW
17	38311006	+ Spring
18	161549	+ Washer
19	34121001	Pad - Felt
20	43482097	Converter Body Assem.
21	34253003	+ Seal - End
22	38452026	+ Latch Lever
23	34113005	+ Seal - Side
24	43482097	Converter Body Assem. Conversion - (Standard & Friction Fit)
25	58544004	+ Cleaning Tool Bag
26	32288007	Hose Connector (Use w/Continuous Convolution Hose) - (Standard Fit)
	32288003	Hose Connector - JM (Use w/Circular Ribbed Hose) - (Standard Fit)
	32288004	Hose Connector - AAP (Use /Circular Ribbed Hose) - (Std. & Friction Fit)
27	43434203 38671001	Hose Complete - AAP Hose Less Ends - JM (Circular Ribbed) - (Std. Fit Ends)
	38671028	+ Hose Less Ends - AAP (Circular Ribbed) - (Std. Fit Ends)
	38671030	+ Hose Less Ends (Circular Ribbed) - (Friction Fit Ends)
28	32156010	Hose Sleeve - (Standard Fit Hose)
29	36116006	Hose Connector Collar (Use w/ Continuous Convolution Hose) (Standard Fit Hose)
	36171025	Hose Connector Collar (Use w/Circular Ribbed Hose) - (Standard Fit Hose)

Convertible

Ref. No.	Part No.	Description
30	43466044	Hose Connector Curved w/Rings-AAP (Use w/Continuous Convolution Hose) (Std. Fit)
	43466055	+ Hose Connector Curved w/Latch Ring- JM (w/o Suction Regulator) (Use w/ Circular Ribbed Hose) - (Standard Fit)
	43466058	Hose Connector Curved w/Latch Ring AAP (w/o Suction Regulator) - Use w/Circular Ribbed Hose - (Std. Fit)
	39454059	Hose Connector - AAP -
31	38711006	Suction Control Ring - (Standard)
32	51869006	Hose Connector Label - (Standard)
33	36153009	Latch Ring - MV - (Standard)
34	43434203	Hose Comp. - Front Conversion (Continuous Convolution) (w/o Suction Regulator) - (Standard Fit)
	43434209	Hose Comp. - Front Conversion - JM (Circular Ribbed) (w/o Suction Regulator) - (Standard Fit)
	43434210	Hose Comp. - Front Conversion - AAP (Circular Ribbed w/o Suction Regulator) (Standard Fit)
	43434225	+ Hose Comp. - AAP - (Friction Fit)
35	12846AG	Tube Latch
36	12772	+* Rivet
37	12783	+* Rivet
38	12763AW	* Rivet
39	12824	+ Reinforcement Plate
40	12600	Rivet
41	21312704	* Washer
42	36152018	Tube Latch - Outer
43	12597	Extension Tube - Outer
44	12589	Extension Tube Guide
45	12844JM	+ Gasket - Inner
46	12598	+ Extension Tube - Inner
47	43458001	Extension Tube - (Standard Fit)
48	3863801P 38634078	Extension Tube - Poly - AG Extension Tube (Polystyrene) - AAP - (Friction Fit)

Standard Fit Tools ... w/Retention Pin
Friction Fit Tools ... w/o Retention Pin



Cleaning Tools

Ref. No.	Part No.	Description
48	13147JM	+ Converter (Std. - Rear Conversion)
49	12615BZ	Hose Converter Collar
50	43466044	Hose Grip - AAP - SC
51	12704BZ	Hose Grip Collar
52	23473JM	+ Converter (Except 63, 64) (Use w/ Hose 48617)
53	23393JM	Hose Grip
54	12864JM	+ Hose Comp. - Ultraflex (Equipped w/Converter 23473)
55	13143	Hose Tube Curved
56	43452503	Converter - 1330, 1348, 1348-002
57	17959A	+ Hose Connector Tube - 1330 (Metal)
	641398LL	+ Hose Connector Tube - 1348, 1348-002 (Plastic)
58	19633JM	+ Hose Comp. - Ultraflex - 1330, 1340, 1348, 1348-002
59	22671JM	+ Hose Comp. - Ultraflex (Commercial) Use w/Converter 34202 or 35190)
	23007A	+ Hose Comp. - Ultraflex (Use w/Converter 35447)

Convertible

Ref. No.	Part No.	Description
60	34083	+ Hose End - 14, 63, 64
	34355	+ Hose End Short (Commercial)
61	34984A	+ Blower (Use w/Hose 22671)
62	35447	+ Converter - Special - 63, 64
63	35190	Converter (Use w/Hose 22671)
64	34202JM	+ Converter (Use w/Hose 22671)
65	48617JM	+ Hose Less Ends
66	43434213	Hose Less Ends
67	12864JM	+ Hose Assem. Comp. - Tufflex (Std. Rear Conversion)

ITEMS NOT ILLUSTRATED

161728	+ Turbine Roto - Power Brush
169460JM	+ Ultraflex Hose - 50' length
43431011	+ Tufflex Hose - 50' length