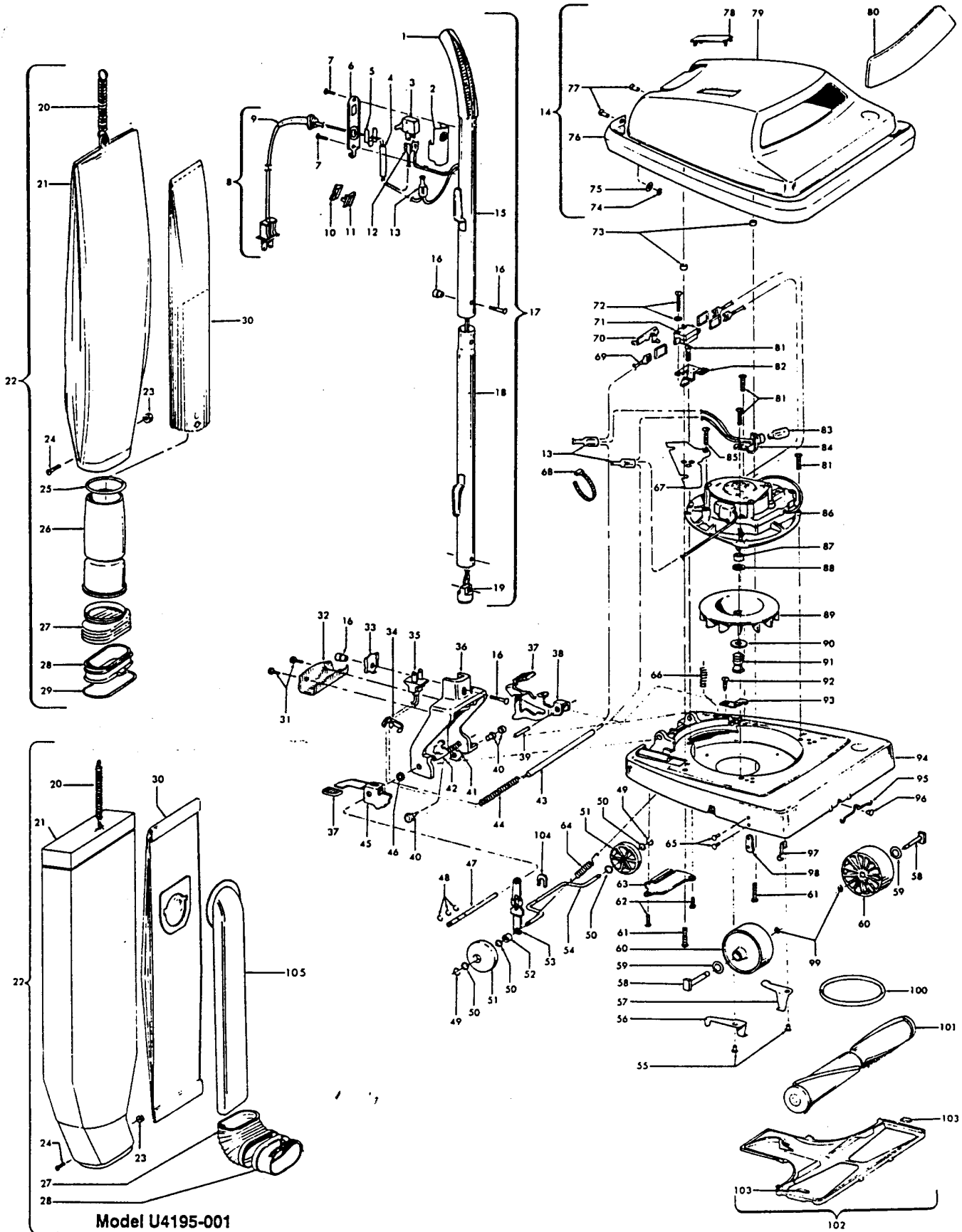


Convertible

Models U4121, U4175, U4185, U4195, U4195-001, U4301-9, U4309, U4311, U4319-9, U4337, U4345-9, U4421



Model U4195-001

Convertible

**Models U4121, U4175, U4185, U4195, U4195-001, U4301-9
U4309, U4311, U4319-9, U4337, U4345-9, U4421**

Ref. No.	Part No.	Description	Ref. No.	Part No.	Description
2	23458JM	Handle Grip	19	34484JM	+ Handle Receptacle (Models w/Toggle Switch
	12272	+ Insulator (Models w/Toggle Switch)		46326110	Handle Receptacle (Models w/Slide Switch)
	37214070	Switch Case Models w/Slide Switch)	20	38335006	Jacket Support Spring
3	12971	Toggle Switch	21	43677321	Outer Bag-Bottom Fill - Wide-Common
	281770KD	Slide Switch		43677322	Outer Bag-To p Fill-Common
4	161935JM	+* Tubing (Models w/Toggle Switch)	22	43678330	Outer Bag Comp.-Top Fill-Common
	12988AW	+* Retainer Models w/Toaale Switch)		43678331	Outer Bag Comp.-Bottom Fill-Common
	34253010	* Retainer Models w/Slidg Switch)	23	15854EF	* Nut
6	23138AW	Switch Plate - Metal Models w/Toggle Switch	24	21765159	* Screw
	37258022	Switch Plate - Plastic (Models w/Slide Switch)	25	46550AG	Disposable Bag Retainer
7	21465314	* Screw (Use 2 w/23138; Use 1 w/ 37258022)	26	161889	Support Tube
8	35659JM	+ Attach. Cord (Models w/Toggle Switch)	27	11064JM	Bellows
	46363195	Cord		38673009	Bellows - U4195-001
9	31969AG	Cord Protector	28	41424011	Bag Flange Assem.
	36216002	Cord Protector (Use w/Plastic Switch Plate)	29	47454	+ Bag Flange Gasket (Use w/48961)
10	12260	+ Strain Relief Body	30	4010003C	Throw Away Bag (4 Pk.)
11	12261	+ Strain Relief Lock		4010004C	+ Throw Away Bag (12 Pk.)
12	160356	* Terminal Models w/Toggle Switch)		4010001A	+ Throw Away Bag (3 Pk.) - U4195-001
	27666702	* Terminal (Models w/Slide Switch)	31	21481752	* Screw - Self Tapping (2)
13	12227	Insulated Terminal	32	34192	Bail Grip
14	42251074	+ Hood/Lens Assem. - CD	33	35463002	Handle Retainer Plate
	42251324	Hood/Lens Assem. -JM - U4121, U4195, U4195-001, U4309, U4345-9, U4421	34	39442030	+ Cord Clip
	42251250	Hood/Lens Assem. - LS - U4301-9	35	23296AGJM	Handle Socket Plug
	42251126	+ Hood/Lens Assem. - KR - U4175, U4337, U4185, U431 1, U4319-9	36	41416030	Bail
	42251135	+ Hood/Lens Assem. - MX		41416032	Bail - U4309, U4337, U4421
15	48642019	+ Handle Assem. - Upper - JJ - U4175	37	38426080	Foot Pad - AG
	48642004	+ Handle Assem.- Upper - JM/CD U4185, U4311		38426072	+ Foot Pads (Nozzle Adj. Lever) - U4301-9, U4337
	48642036	Handle Assem. - Upper - JX/VN - U4309	38	43137036	Handle Control Lever Comp. - JM
	48642038	+ Handle Assem. - Upper-JM/KZ-(Models W/Toggle Switch -U4195, U4195-001)	39	47450AY	Handle Control Lever Pivot Pin
	48642009	Handle Assem.-Upper-im/LT-(Models w/toggle Switch)- U4121, U4301-9	40	11735	Roller Detent Assem.
	48642045	Handle Assem. - Upper- VN -(Models w/Toggle Switch) - U4337	41	48409FW	Spring
	48642014	+ Handle Assem.-Upper-JR/JM-(Models w/Toggle Switch) -U4319-9	42	19907--	Bag Flange Clamp Lever
	48655208	Handle Assem.- Upper- JM -(Models w/ Slide Switch)- U4195, U4301-9, U4337, U4345-9, U4421 , U4319-9	43	31727023	Cord Cover Tubing
			44	38313023	Motor Lead Spring
			45	43137013	+ Nozzle Adj. Lever - Metal (Use w/161514)
				161571JM	Nozzle Adj. Lever - Metal (Use w/43263001) - U4301-9, U4345-9
				38452051	Nozzle Adj. Lever - Plastic (Use w/43263005)
			46	161507	+* Washer (Use w/Metal Nozzle Adj. Lever)
			47	161509AY	Bail S aft
			48	13730	* Lock Ring (Use 3 w/43137013 & 161571; Use 2 w/38452051)
16	48294AW	Handle Bolt & Nut	49	17207AZ	* Lock Ring - Metal (2) Use w/33141015 & 33141011)
	32277008	Handle Nut (2) - U4301-9, U4337, U4345-9, U4421		32182001	* Wheel Retainer- Plastic (2) Use w/33152003
	21631301	Handle Bolt- U4301-9, U4337, U4345-9, U4421	50	21312772	* Washer- Use 1 w/33152003, Use 4 w/33141015 & 33141011
	21631302	Handle Bolt (Bail)- U4301-9, U4337, U4345-9, U4421	51	38521041	Rear Wheel - U4121
				38521016	Rear Wheel
17	48655069	Handle Comp. - U4175, U4185, U4195, U4195-001, U4311, U4309	52	31148004	* Spacer - U4121
	19984CD	+ Handle Comp.	53	161514	+ Cam Follower - Metal (Use w/43137013)
	11969JM	+ Handle Comp. - U4319-9		43263001	+ Cam Follower - Metal (Use w/ 61571 JM) -U4195-001, U4301-9, U4311, U4345-9
	19984KZ	+ Handle Comp. (Models w/toggle Switch)		43263005	Cam Follower - Plastic (Use w/38452051)
	19984KR	+ Handle Comp. (Models w/Toggle Switch)	54	33141015	+ Rear Wheel Shaft (Use in conjunction w/lit. 49, Pt. # 17207AZ) - U4121
	48655069	+ Handle Corn . Models w/Toggle Switch - U4301-9, U4337		33141011	+ Rear Wheel Shaft Use in conjunction w/lit. 49 Pt. # 17207AZ)
	19984JM	+ Handle Comp. (Models w/Toggle Switch) - U4345-9			
	48655208	Handle Comp. - JM (Models w/Slide Switch) - U4195, U4301-9, U4337, U4345-9, U4121, U4421			
	48631140	+ Handle - Lower Half			
	48631132	+ Handle - Lower Half			

Convertible

**Models U4121, U4175, U4185, U4195, U4195-001, U4301-9
U4309, U4311, U4319-9, U4337, U4345-9, U4421**

Ref. No.	Part No.	Description
	33152003	Rear Wheel Shaft (Use in conjunction w/lt. 49, #32182001)
55	12456	+* Rivet-Tubular (2) - Use w/35446003 & 35446005 Bottom Plate Latches
	21447203	Screw (2) - Use w/36153006 Bottom Plate Latches
56	35446003	Bottom Plate Latch - Right (Use on Main Body w/o raised boss)
	36153006	Bottom Plate Latch (Use on Main Body w/raised boss)
57	35446005	Bottom Plate Latch-Left (Use on Main Body w/o raised boss)
	36153006	Bottom Plate Latch (Use on Main Body w/raised boss)
58	47457AY	Front Wheel Shaft (2)
59	21312772	* Washer
60	34791AG	Carrier Wheel (2) - U4121
	38522013	Carrier Wheel
61	16903	+ Screw - Self Tapping (2) (Use w/ft. 73 #16125AY Capsert)
	21447020	* Screw - Self Tapping (2) (Use on Hoods w/o Capserts)
	21447009	* Screw - Self Tapping (2)
62	35434040	Axle/Bag Flange Retainer - AY
63	161513	Spring
64	48422	* Rivet (Use 2 w/47260; Use 1 w/ 21312781)
65	12559FW	Spring
66	164684	+ Insulation Shield
67	27479307	* Lead Wire Tie
68	46123010	+ Lead Wire - Yellow - U4121
69	38452028	Switch Actuator
70	19513AG	Switch
71	23254001	* Screw Assem.
72	16125AY	+ Capsert
73		Not Applicable
74		* Washer (28)
75	168278 AY	+ Furniture Guard
76	168497JM	+ Furniture Guard
	168497JX	+ Furniture Guard
	168497LT	+ Furniture Guard
	168497VN	+ Furniture Guard
77	12997AW	* Furniture Guard Rivet
8	37941016	+ Panel Indicator - FN - U4175, U4185, U4311, U4319-9, U4309
	37941017	+ Panel Indicator - LF - U4195, U4195-001, U4121
	37941014	+ Panel Indicator - LS - U4301-9
	37941026	+ Panel - KR
79	42251074	+ Hood/Lens Assem. - CD
	42251324	Hood/Lens Assem. - JM - U4121, U4195, U4195-001, U4309, U4345-9, U4421
	42251250	Hood/Lens Assem. - LS - U4301-9
	42251126	+ Hood/Lens Assem. - KR - U4175, U4337 U4185, U431 1, U4319-9
80	42251135	+ Hood/Lens Assem. - MX
	39383004	Dirt Finder Lens - U4121, U4175, U4185, U431 1, U4319-9, U4337
	39383031	+ Dirt Finder Lens
	39383036	+ Dirt Finder Lens
	39383086	Dirt Finder Lens - U4309, U4345-9, U4421
81	167376KC	+ Dirt Finder Lens - U4301-9
	21447013	* Screw - Self Tapping (4)
	21447020	* Screw - Self Tapping (U4195, U4195-001, U4301-9 , &319-9, U4337, U4345-9, U4421
82	34771001	Switch Bracket
83	27317307	Dirt Finder Lamp - 15 Watt - U4121
	27313101	Dirt Finder Lamp
84	17016	Dirt Finder Socket - U4121
	36912004	Dirt Finder Socket (Use w/ Screw #17001)

Ref. No.	Part No.	Description
85	161535	* Screw - Self Tapping
86	43574140	Motor Comp. (Incl. Its. 87,88,89,90,91)
	43574161	Motor Comp. - U4319-9, U4301-9, U4421 (Incl. Its. 87,88,89,90,91)
87	163059	+ Fan Spacer - U4121, U4185
	31731002	Fan Spacer - 8MM
	31731006	Fan Spacer - U4421
88	166563	* Washer
89	38755011	Fan - AG
90	31162004	* Washer
91	38532009	Motor Pulley
92	21447007	* Screw - Self Tapping
	21447003	Screw - Self Tapping - U4195, U4195-001, U4309, U431 1, U4319-9, U4337, U4345-9, U4421
93	34665007	Pivot Pin Retainer
94	42242064	Main Body Assem.
	42242201	Main Body Assem. - U4301-9, U4337, U4345-9, U4421
95	12138FW	Bottom Plate Spring (Use w/Metal Bottom Plate)
96	12503EF	* Rivet - Semi Tubular (Use w/Metal Bottom Plate)
97	34784021	Agitator Retainer Spring
98	34355002	Agitator Support Plate
	21312781	Agitator Support Washer
99	13730	* Lock Ring
100	49258AG	Belt
101	41435005	Agitator Comp.
	48414006	+ Agitator Comp.
	42246038	Bottom Plate (Metal)
102	42246062	Bottom Plate (Metal) - U4421
	37245081	Bottom Plate - AG
103	34111001	* Support Pad (Use w/Metal Bottom Plate)
104	34252005	* Yoke
105	38657004	Top Fill Tube - U4195-001

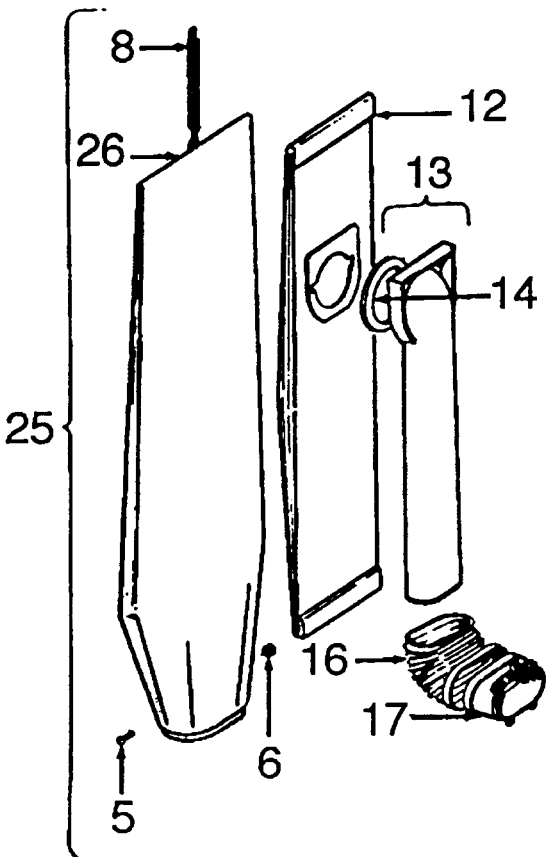
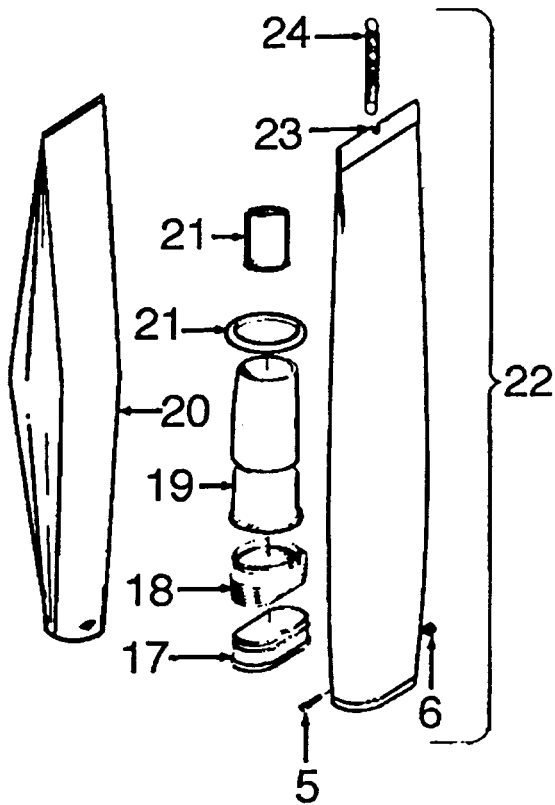
ITEMS NOT ILLUSTRATED

	160472	+ Insulating Pod (Handle/Switch)-U4195, U4195-001, U4309, U431 1, U4337, U4345-9
	162130	+* Insulating Pod (Motor/Headlamp-Switch) - U4195, U4195-001, U4309, U431 1, U4337, U4345-9
	34311003	+ Vent Enclosure (Main Body) - U4195, U4195-001, U4337
	17001FW	Screw- U4175, U4185, U4195, U4195-001, U4309, U431 1, U4319-9, U4337, U4345-9, U4421 (Use w/Lamp Socket #36912004)
	38421012	Switch Button (Models w/Slide Switch)

PACKAGING MATERIAL

	58173084	+ Carton - U4121
	58173208	Carton- U4175, U4185, U4195, U4195-001, U4309
	58173216	+ Carton - U4345-9
	58173039	+ Carton - Common
	58343025	Front Support
	58356012	Rear Support
	56511224	Owner Manual

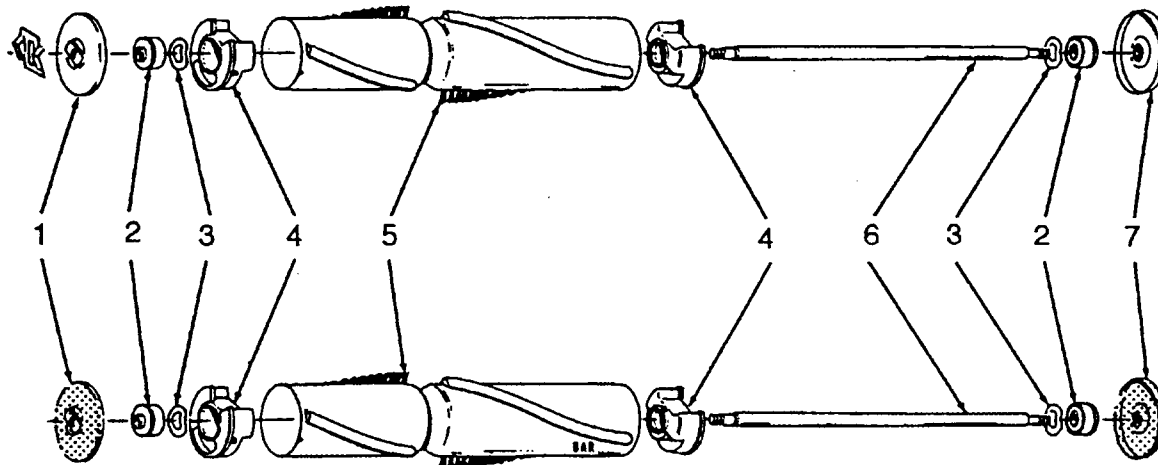
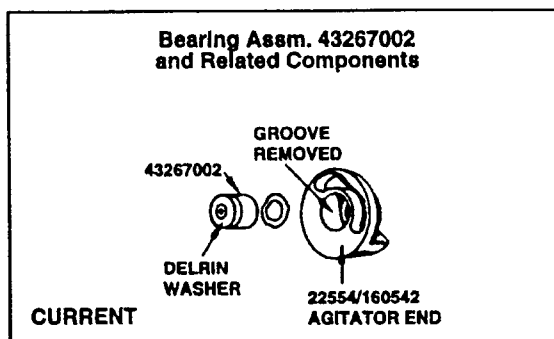
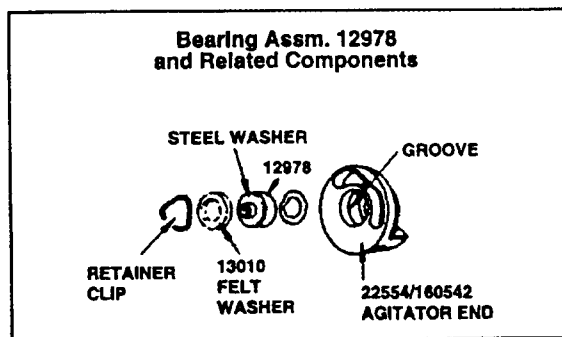
Outer Bag/ Outer Bag Comp.



Ref. No.	Part No.	Description
5	21765159	Screw
6	15854EF	* Nut
8	38336014	Jacket Support Spring
12	4010001A	Throw Away Bag (3 Pk.)
13	43482058	+ Top Fill Tube & Seal (Shown)
	38657004	Top Fill Tube (Push on Type)
14	32174004	Bag Collar Seal (Use w/Item 13 - 43482058)
16	38673009	Bellows
17	41424011	Bag Ring & Gasket
	41424502	+ Bag Ring & Gasket - U4014-079
18	11064JM	Bellow
19	161889	Bag Support Tube
20	4010003C	Throw Away Bag (4 Pk.)
	4010004C	+ Throw Away Bag (1 2 Pk.)
21	46550AG	Bag Retainer
21	35091	+ Bag Retainer Sleeve - Early Models
22	43678331	Outer Bag Comp. - Bottom Fill - Wide - Common
	43678052	+ Outer Bag Comp. - Bottom Fill - Narrow - Common
23	43677052	+ Outer Bag - Bottom Fill - Narrow - Common
	43677321	Outer Bag - Bottom Fill - Wide - Common
	43686510	Outer Bag - U4014-079 (Zip)
24	38335006	Jacket Support Spring
25	43678330	Outer Bag Comp. - Top Fill - Common
26	43677322	Outer Bag - Top Fill - Common

ITEMS NOT ILLUSTRATED

37911043	+ Header Cap - U4087 (JE)
37911044	+ Header Cap - U4091 (AR)
37911045	+ Header Cap - U4075 (EW)
37911047	+ Header Cap - U4093 (ET)
41129008	Cable Tie & Instruction Sheet (Used to secure the vinyl outer Jacket to the Bag Ring)
36953003	Hanger (Used in the repair of Item #'s 22,23,25,26. Secures Jacket Support Spring to Outer Bag/Outer Bag Comp.)



Ref. No.	Part No.	Description
1	49180	Thread Guard & Spring (Metal)
	36423003	+ Thread Guard L.H. (Molded)
2	43267002	Bearing
3	21347003	* Thrust Washer
4	22554	Agitator End (Early Model Standard Performance Cleaners, L.H. Helix)
	160542	Agitator End (Standard & High Performance Cleaners, R.H. Helix)
	41435070	Agitator End (Use w/two brush agitator Pt. #48414021)
5	12998BZ	Agitator Brush - 8 mil (Early Model Standard Performance Cleaners, L.H. Helix)
	160646BZ	Agitator Brush - 8 mil (Standard Performance Cleaners, R.H. Helix)
	48445001	Agitator Brush - 11 mil (High Performance Cleaners, R.H. Helix)
6	12981	+ Agitator Shaft (Used w/metal thread guards)
	32724008	Agitator Shaft (Used w/molded thread guards)
7	12985AY	Thread Guard R.H. (Metal)
	36423007	+ Thread Guard R.H. (Molded)

AGITATOR BELT

Ref. No.	Part No.	Description
	49258AG	Domestic models, Convertible/Decade 80/Heavy Duty Commercials
	44783AG	Lightweight Commercials

AGITATOR ASSEMBLY

	169371MF	+ Standard Performance, R.H. Helix (Metal Thread Guards)
	41435005	High Performance Cleaners, R.H. Helix (Metal Thread Guards w/Spring)
	48414006	+ High Performance Cleaners, R.H. Helix (Metal Thread Guards)
	48414007	+ Standard Performance, R.H. Helix (Molded Thread Guards)

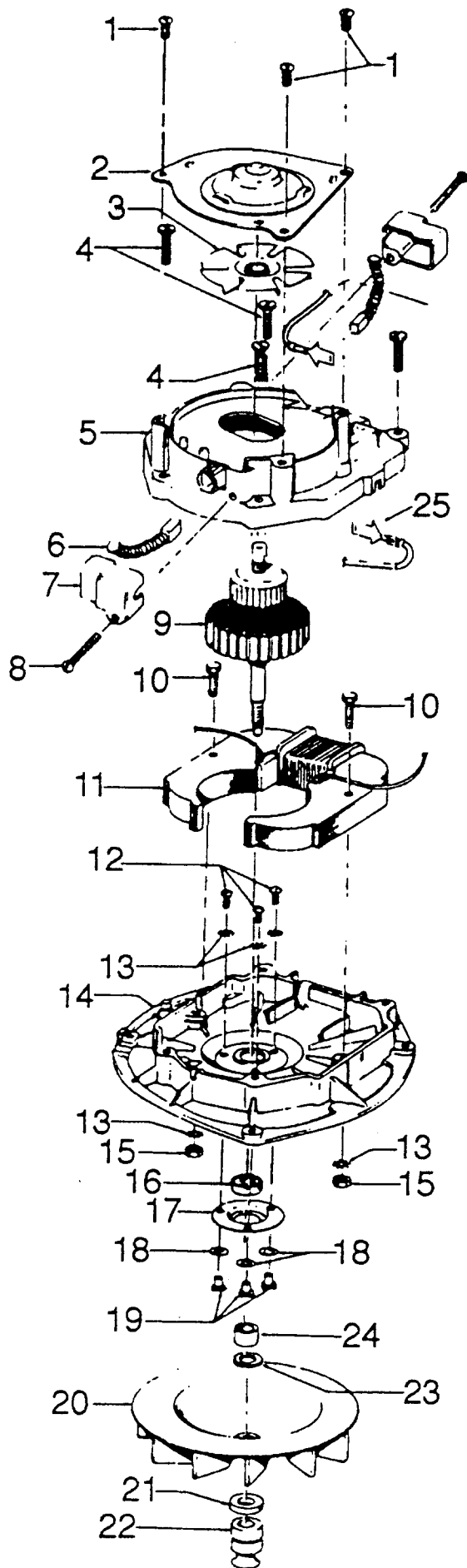
FOUR BRUSH AGITATOR ASSEMBLY

	48414002	+ Heavy Duty Commercial (Use 47159 Brush-Long, 47160 Brush-Short & 46875 Sems Fastener)
	48414003	Lightweight Commercial (Use 160646BZ Brush & 36422003 Agitator End)

TWO BRUSH W/O BEATER BAR

	48414021	Agitator (Molded Thread Guards)
--	----------	---------------------------------

Motor

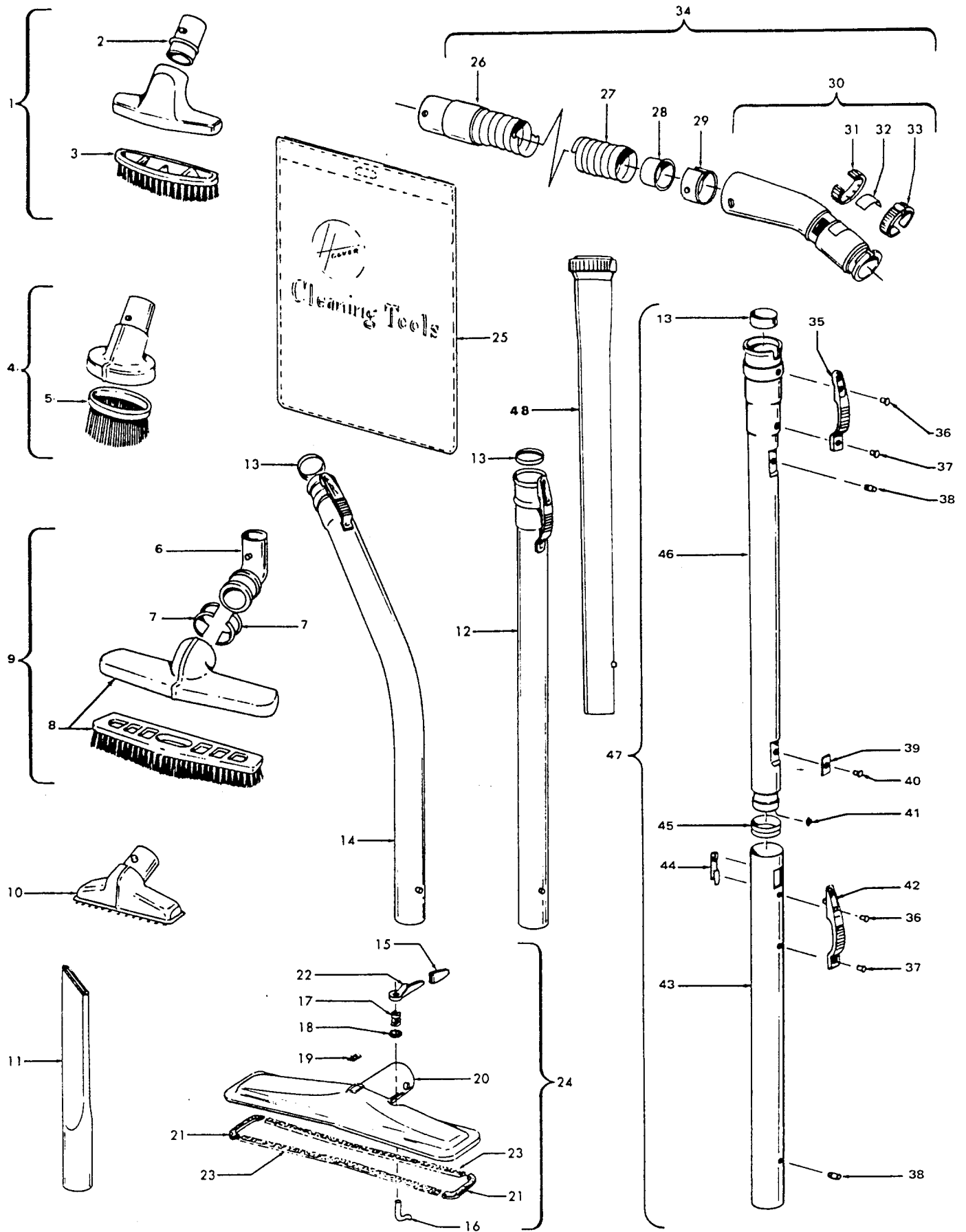


Models U4175, U4189, U4193, U4195, U4195-001, U4199, U4301-9, U4303, U4305, U4309, U4311, U4315, U4319-9, U4321, U325, U4331-9, U4335, U4337, U4341, U4343, U4345-9, U4349, U4349-1, U4353, U4357-9, U4361, U4361-030, U4363, U4363-042, U4363-045, U4365, U4365-048, U4367, U4371, U4371-042, U4371-045, U4373, U4373-048, U4375-9, U4377-9, U4377-935, U4381-9, U4381-930, U4383, U4385, U4387, U4389-9, U4391, U4393, U4393-048, U4397, U4399-9, U4401-9, U4401-948, U4403, U4403-042, U4403-048, U4407, U4409-9, U4411-9, U4411-948, U4413, U4413-042, U4413-045, U4421, U4447, U4449, U4449-048, U4501, U4501-9, U4503-9, U4505, U4721-900

Motor

Models U4175, U4189, U4193, U4195, U4195-001, U4199, U4301-9, U4303, U4305, U4309, U4311, U4315, U4319-9, U4321, U4325, U4331-9, U4335, U4337, U4341, U4343, U4345-9, U4349, U4349-1, U4353, U4357-9, U4361, U4361-030, U4363, U4363-042, U4363-045, U4365, U4365-048, U4367, U4371, U4371-042, U4371-045, U4373, U4373-048, U4375-9, U4377-9, U4377-935, U4381-9, U4381-930, U4383, U4385, U4387, U4389-9, U4391, U4393, U4393-048, U4397, U4399-9, U4401-9, U4401-948, U4403, U4403-042, U4403-048, U4407, U4409-9, U4411-9, U4411-948, U4413, U4413-042, U4413-045, U4421, U4447, U4449, U4449-048, U4501, U4501-9, U4503-9, U4505, U4721-900

Ref. No.	Part No.	Description	Ref. No.	Part No.	Description
1	45533AY	+* Screw (3)	24	31731002	Fan Spacer - 8MM
2	42934002	Upper Motor Bearing		31731006	Fan Spacer - U4363-042, U4363-045, U4365-048, U4371-042, U4371-045, U4373-048, U4377-935, U4393-048, U4401-948, U4403, U4403-042, U4403-048, U4407, U4409-9, U4411-9, U4411-948, U4413, U4413-042, U4413-045, U4421, U4447, U4449, U4449-048, U4501, U4501-9, U4503-9, U4505, U4721-900
3	38755004	Fan			
	38755005	Fan (Polycarbonate) - Black			
4	161535	* Screw (4)			
5	19857	+ Upper Motor Casing			
	42195003	Upper Motor Casing - U4361, U4361-030, U4381-9, U4381-930, U4383, U4385, U4397, U4407, U4447, U4501, U4501-9, U4503-9, U4505, U4721-900	25	14320	Terminal
6	47318012	Carbon Brush		43574053	Motor - U4381-9, U4381-930, U4383, U4385, U4407, U4447, U4361, U4361-030, U4397
7	14322	Brush Insulator		43574133	Motor - U4189, U4193, U4199, U4325, U4335, U4341, U4343, U4363, U4363-042, U4363-045, U4365, U4365-048, U4371, U4371-042, U4371-045, U4373, U4373-048, U4375-9, U4399-9, U4413, U4413-042, U4413-045
	36315003	Brush Cap - U4565-048, U4373-048, U4377-935, U4393-048, U4401-948, U4403-048, U4411-948, U4421, U4447, U4449, U4449-048, U4501, U4501-9, U4503-9, U4505, U4721-900		43574161	Motor - U4301-9, U4303, U4305, U4315, U4319-9, U4331-9, U4349, U4349-1, U4353, U4357-9, U4367, U4387, U4389-9, U4391, U4393, U4401-9, U4449
8	46930AZ	+* Screw (2)		43574140	Motor - U4175, U4195, U4195-001, U4309, U4311, U4337, U4345-9, U4367, U4387, U4389-9, U4391, U4393, U4393-048, U4399-9, U4401-9, U4401-948, U4403, U4403-042, U4403-048, U4409-9, U4411-9, U4411-948, U4421, U4449, U4449-048
9	44765085	Armature		43574141	+ Motor - U4321
10	45118	* Bolt (2)		43574161	Motor - U4393-048, U4401-948, U4403, U4403-042, U4403-048, U4409-9, U4411-9, U4411-948, U4421, U4449-048
11	45412015	Field		43574190	Motor - U4377-935
	45412017	Field - U4175, U4195, U4195-001, U4309, U4311, U4345-9, U4377-9, U4377-935		43574174	Motor - U4501, U4501-9, U4503-9, U4505, U4721-900
	45412018	Field - U4301-9, U4305, U4303, U4315, U4319-9, U4331-9, U4349, U4349-1, U4353, U4357-9, U4367, U4387, U4389-9, U4391, U4393, U4393-048, U4399-9, U4401-9, U4401-948, U4403, U4403-042, U4403-048, U4409-9, U4411-9, U4411-948, U4421, U4449, U4449-048	ITEMS NOT ILLUSTRATED		
	45412014	+ Field - U4321		40300014	Armature Spacer / Split Sleeve Kit (For use with Lower Mtr. Brgs. with 4 Attachment Holes.)
	45421015	Field - U4361, U4361-030, U4397			
	45421020	Field - U4381-9, U4381-930, U4383, U4385, U4407, U4447, U4501, U4501-9, U4503-9, U4505, U4721-900			
12	21772501	* Screw (3)			
13	14062	* Lock Washer (5)			
14	42193006	Lower Motor Case - 8MM			
15	15673	* Nut (2)			
16	24152807	Bearing - 8MM			
	43267006	Bearing Replacement Kit - 8MM			
17	32184003	Retainer - 8MM			
18	19772	* Lock Washer (3)			
19	45251	Nut (3)			
20	38755011	Fan - Polycarbonate (Black)			
21	31162004	* Washer - Heat Insulating			
22	38532009	Motor Pulley			
	38532015	Motor Pulley - U4501, U4501-9, U4503-9, U4505, U4721-900			
23	166563	Washer			



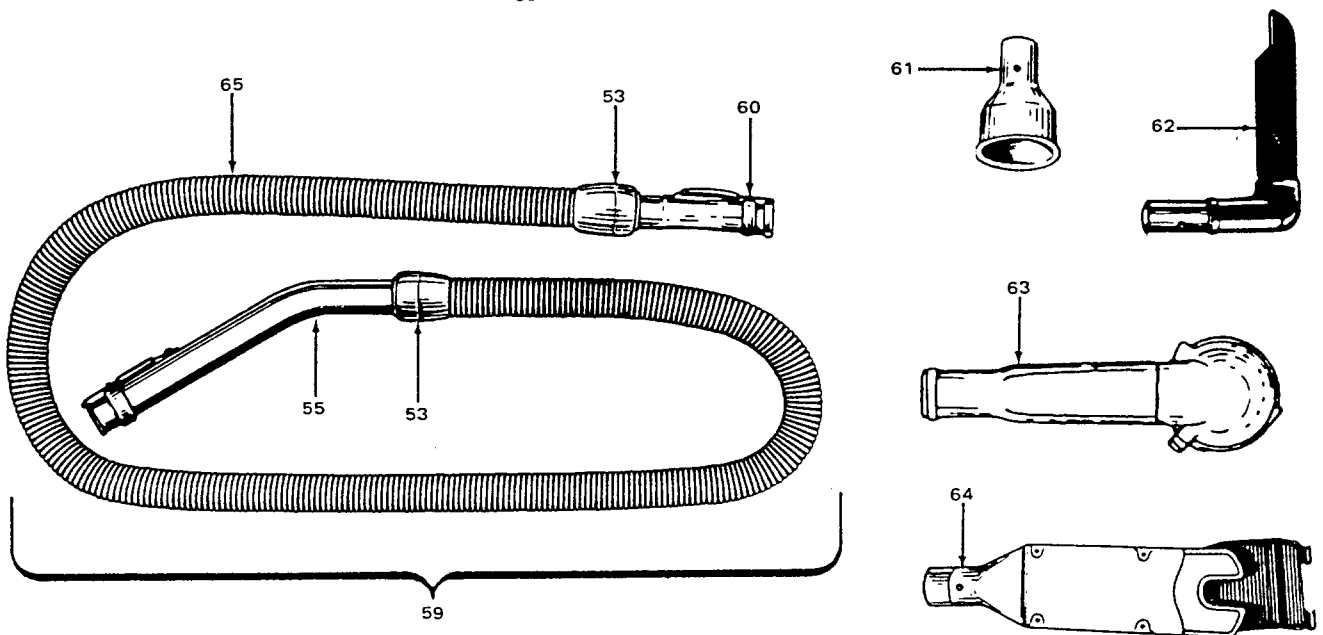
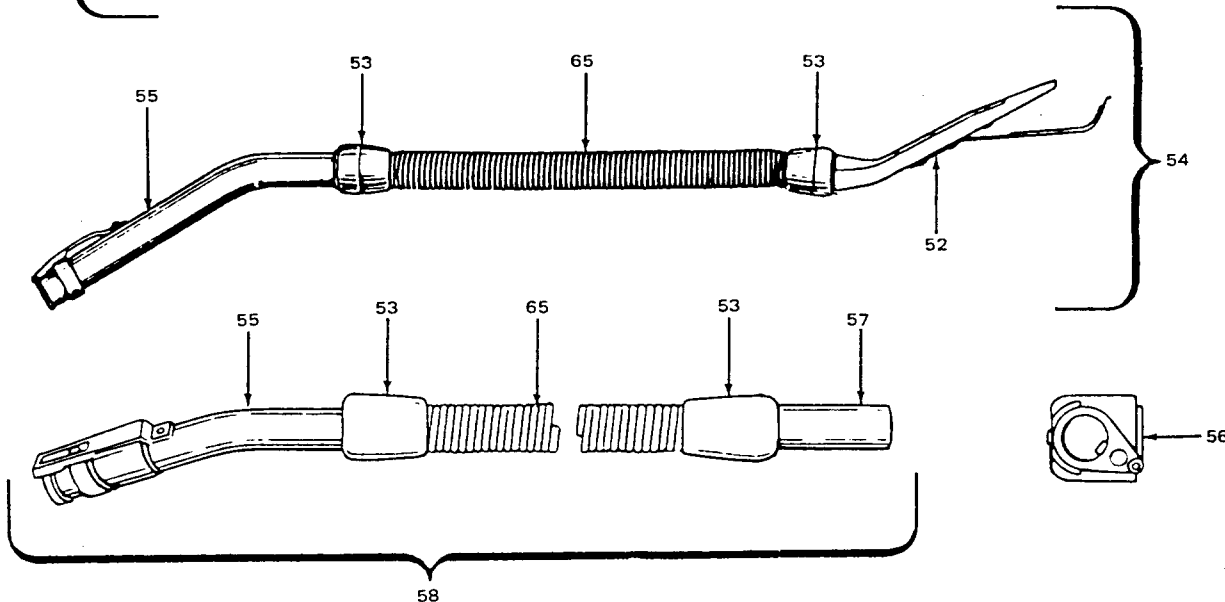
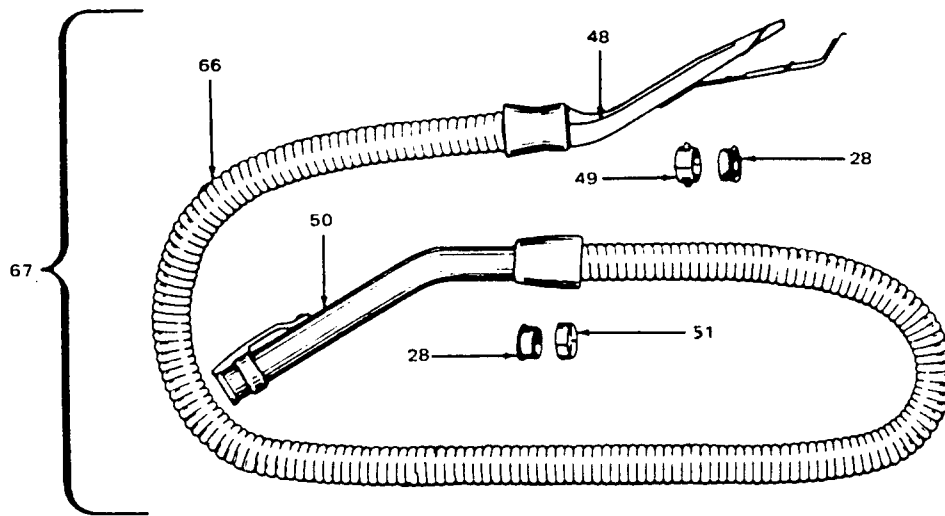
Cleaning Tools

Ref. No.	Part No.	Description
1	161852JM 43414016	+ Furniture Brush Furniture Brush - AG
2	13149JM	Nozzle Connector Tube (Use w/ 161852JM)
3	13254BZ	+ Furniture Brush Back (Use w/161852JM)
4	161851JM 43414064 43414145	+ Dusting Brush Comp. Dusting Brush (One Piece) (Std Fit) Dusting Brush - Friction
	13263BZ	+ Brush (Use w/ 61851 JM)
6	13154JM	+ Floor Brush Swivel & Collar (Use w/13077JM)
	38644040	Swivel Connector (Use w/43414073)
7	13276	Floor Brush Swivel Bushing (Use w/13154JM)
	33712007	Split Ring (Use w/38644040)
8	13155JM	+ Floor Brush Nozzle & Brush (Use w/ 13077JM)
	13077JM	+ Floor Brush
	43414073	Floor Brush - (Standard Fit)
	43414135	Floor Brush - AAP (Friction Fit)
10	43414057	Furniture Nozzle - (Standard Fit)
	38614029	Furniture Nozzle - AG - (Friction Fit)
11	38617017	Crevice Tool - AG - (Standard Fit)
	38617024	Crevice Tool
12	43453027	Extension Tube (Standard Fit)
13	12845JM	Gasket
14	43466040	Ext. Tube - Curved (Short) (Std. Fit)
15	34207AG	Handle Control Foot Pad
16	33126001	+ Latch - AW
17	38311006	+ Spring
18	161549	+ Washer
19	34121001	Pad - Felt
20	43482097	Converter Body Assem.
21	34253003	+ Seal - End
22	38452026	+ Latch Lever
23	34113005	+ Seal - Side
24	43482097	Converter Body Assem. Conversion - (Standard & Friction Fit)
25	58544004	+ Cleaning Tool Bag
26	32288007	Hose Connector (Use w/Continuous Convolution Hose) - (Standard Fit)
	32288003	Hose Connector - JM (Use w/Circular Ribbed Hose) - (Standard Fit)
	32288004	Hose Connector - AAP (Use /Circular Ribbed Hose) - (Std. & Friction Fit)
27	43434203 38671001	Hose Complete - AAP Hose Less Ends - JM (Circular Ribbed) - (Std. Fit Ends)
	38671028	+ Hose Less Ends - AAP (Circular Ribbed) - (Std. Fit Ends)
	38671030	+ Hose Less Ends (Circular Ribbed) - (Friction Fit Ends)
28	32156010	Hose Sleeve - (Standard Fit Hose)
29	36116006	Hose Connector Collar (Use w/ Continuous Convolution Hose) (Standard Fit Hose)
	36171025	Hose Connector Collar (Use w/Circular Ribbed Hose) - (Standard Fit Hose)

Convertible

Ref. No.	Part No.	Description
30	43466044	Hose Connector Curved w/Rings-AAP (Use w/Continuous Convolution Hose) (Std. Fit)
	43466055	+ Hose Connector Curved w/Latch Ring- JM (w/o Suction Regulator) (Use w/ Circular Ribbed Hose) - (Standard Fit)
	43466058	Hose Connector Curved w/Latch Ring AAP (w/o Suction Regulator) - Use w/Circular Ribbed Hose - (Std. Fit)
	39454059	Hose Connector - AAP -
31	38711006	Suction Control Ring - (Standard)
32	51869006	Hose Connector Label - (Standard)
33	36153009	Latch Ring - MV - (Standard)
34	43434203	Hose Comp. - Front Conversion (Continuous Convolution) (w/o Suction Regulator) - (Standard Fit)
	43434209	Hose Comp. - Front Conversion - JM (Circular Ribbed) (w/o Suction Regulator) - (Standard Fit)
	43434210	Hose Comp. - Front Conversion - AAP (Circular Ribbed w/o Suction Regulator) (Standard Fit)
	43434225	+ Hose Comp. - AAP - (Friction Fit)
35	12846AG	Tube Latch
36	12772	+* Rivet
37	12783	+* Rivet
38	12763AW	* Rivet
39	12824	+ Reinforcement Plate
40	12600	Rivet
41	21312704	* Washer
42	36152018	Tube Latch - Outer
43	12597	Extension Tube - Outer
44	12589	Extension Tube Guide
45	12844JM	+ Gasket - Inner
46	12598	+ Extension Tube - Inner
47	43458001	Extension Tube - (Standard Fit)
48	3863801P 38634078	Extension Tube - Poly - AG Extension Tube (Polystyrene) - AAP - (Friction Fit)

Standard Fit Tools ... w/Retention Pin
Friction Fit Tools ... w/o Retention Pin



Cleaning Tools

Ref. No.	Part No.	Description
48	13147JM	+ Converter (Std. - Rear Conversion)
49	12615BZ	Hose Converter Collar
50	43466044	Hose Grip - AAP - SC
51	12704BZ	Hose Grip Collar
52	23473JM	+ Converter (Except 63, 64) (Use w/ Hose 48617)
53	23393JM	Hose Grip
54	12864JM	+ Hose Comp. - Ultraflex (Equipped w/Converter 23473)
55	13143	Hose Tube Curved
56	43452503	Converter - 1330, 1348, 1348-002
57	17959A	+ Hose Connector Tube - 1330 (Metal)
	641398LL	+ Hose Connector Tube - 1348, 1348-002 (Plastic)
58	19633JM	+ Hose Comp. - Ultraflex - 1330, 1340, 1348, 1348-002
59	22671JM	+ Hose Comp. - Ultraflex (Commercial) Use w/Converter 34202 or 35190)
	23007A	+ Hose Comp. - Ultraflex (Use w/Converter 35447)

Convertible

Ref. No.	Part No.	Description
60	34083	+ Hose End - 14, 63, 64
	34355	+ Hose End Short (Commercial)
61	34984A	+ Blower (Use w/Hose 22671)
62	35447	+ Converter - Special - 63, 64
63	35190	Converter (Use w/Hose 22671)
64	34202JM	+ Converter (Use w/Hose 22671)
65	48617JM	+ Hose Less Ends
66	43434213	Hose Less Ends
67	12864JM	+ Hose Assem. Comp. - Tufflex (Std. Rear Conversion)

ITEMS NOT ILLUSTRATED

161728	+ Turbine Roto - Power Brush
169460JM	+ Ultraflex Hose - 50' length
43431011	+ Tufflex Hose - 50' length