

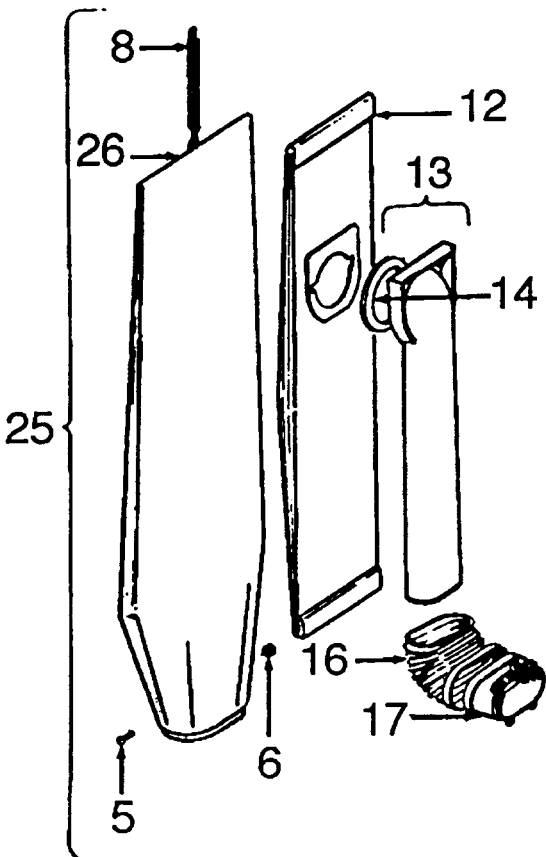
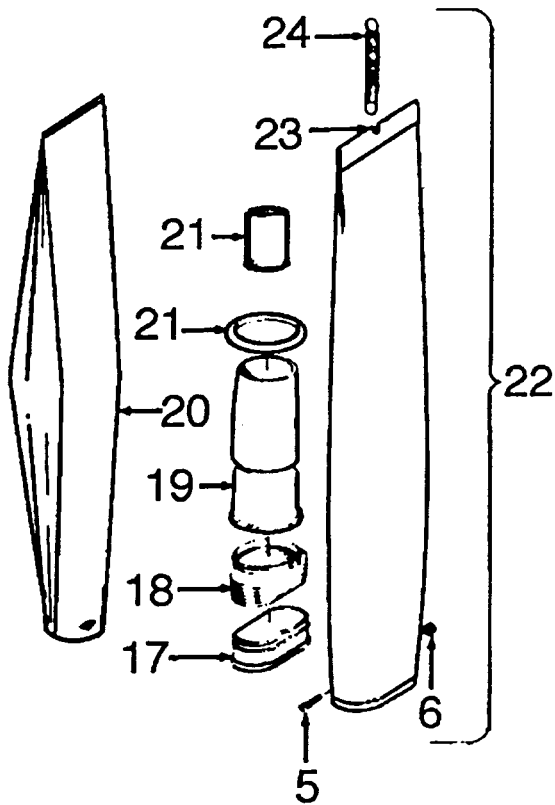
Ref. No.	Part No.	Description
1	43678330	Outer Bag Comp. - Common
2	38336014	Jacket Support Spring - AW
3	43677322	Outer Bag - Common
	21765159	* Screw - Machine
	15854EF	* Nut
6	4010001A	Throw Away Bag - 3 Pk.
7	46381025	+ Attach. Cord Assem. - PT
8	43482058	+ Top Fill Tube & Seal (Shown)
	38657004	Top Fill Tube (Push on Type)
9	32174004	Bag Collar Seal (Use w/Item 43482058)
10	36215020	+ Cord Protector - JM
11	34785016	+ Cord Retaining Clip
12	21631302	Handle Bolt (2)
13	166848	+ Snap Bushing
14	38673009	Bellows - JM
15	41424011	Bag Flange Assem.
16	23458PH	Handle Grip
17	48644015	Handle Assem.- Upper Half - JM
18	13704	* Washer - Lock - Special (2)
19	32277008	Handle Clamp Bolt Nut - AW (2)
20	48646056	+ Handle Comp.
21	48631059	+ Handle Assem. Comp. Lower Half JM
22	35463002	Handle Retainer Plate - AY
23	161507	+* Washer
24	37954002	Bail Cover Plate - JM
25	21481273	* Screw - Self Tapping (2)
26	166735EF	+ Screw - Self Tapping (2)
27	34283005	+ Insulator
28	-----	Tape
29	27479307	* Cable Tie (3)
30	43137013	+ Nozzle Adj. Lever Assem. - JM
31	38426080	Foot Pad - AG (2)
32	51151034	Indicator - AG
33	11735	Roller Detent Assem.
34	19907--	Bag Flange Clamp Lever
35	48409 FW	Bag Flange Clamp Lever Spring
36	38313015	Motor Lead Spring
37	41416013	+ Bail Assem. - JM
38	47450 AY	Pivot Pin
39	43137036	Handle Control Lever Assem. - JM
40	47511004	Switch Assem.
41	27479307	* Lead Wire Tie (4)
42	162961	Insulating Pod
43	34732004	+ Wire Clip - AW
44	21766502	+* Screw - Machine - EF
45	21447020	* Screw - Self Tapping (4)
46	34756007	+ Spring - GJ
47	38422030	+ Switch Pad - AG
48	168278 AY	* Washer (2)
49	168497JM	+ Furniture Guard
50	42251263	+ Hood/Panel Assem. - PH
51	12997AW	* Rivet - Tubular (2)
52	37253060	+ Hood
53	39383004	Panel - Printed - PH

Ref. No.	Part No.	Description
54	16125AY	+ Capsert (2)
55	21479253	+ Screw - Self Tapping - EF
56	37941025	+ Switch Case - BZ
57	43574085	Motor Assem. Comp.
58	12559FW	Handle Control Lever Spring
59	21447003	* Screw - Self Tapping
60	34665007	Pivot Pin Retainer - FW
61	42242201	Main Body Assem. - JM
62	161515AV	+* Rivet - Semi - Tubular (2)
63	49258AG	Belt
64	41435005	Agitator Assem. Comp.
65	12503EF	* Rivet - Semi - Tubular
66	12138FW	Cleaner Bottom Plate Spring
67	47457AY	Carrier Wheel Shaft (2)
68	21312772	* Washer (5)
69	38522013	Carrier Wheel (2)
70	13730	* Lock Ring (2)
71	34111001	* Self Stick Support Pad (2)
72	42246060	Bottom Plate Assem.
73	34784021	Agitator Retaining Spring (2)
74	34355002	Agitator Support Plate (2)
75	16903	+ Screw - Self Tapping (2)
76	21447009	* Screw - Self Tapping (2)
77	35434040	Axle/Bag Flange Retainer - AY
78	48422	* Rivet (4)
79	17207AZ	* Spring Lock Ring (2)
80	38521016	Rear Wheel (2)
81	161513	Spring
82	34252005	* Yoke
83	33152003	Rear Wheel Shaft Comp. - AZ
84	161514	+ Cam Follower Assem.
85	161509AY	Bail Shaft
86	13730	* Lock Ring (3)
87	21767702	+* Screw (4)
88	34253006	+* Cord Clamp Saddle
89	21767083	+ Screw (2)
90	34611003	+ Washer - Shell
91	47133002	+ Terminal Block & Insert Assem.
92	37922003	+ Terminal Block Cover
93	23257461	+ Screw/Washer - Sems

PACKAGING MATERIAL

58173039	+ Carton - Common
58343025	Front Support
58366012	Rear Support
56511090	+ Owner Manual

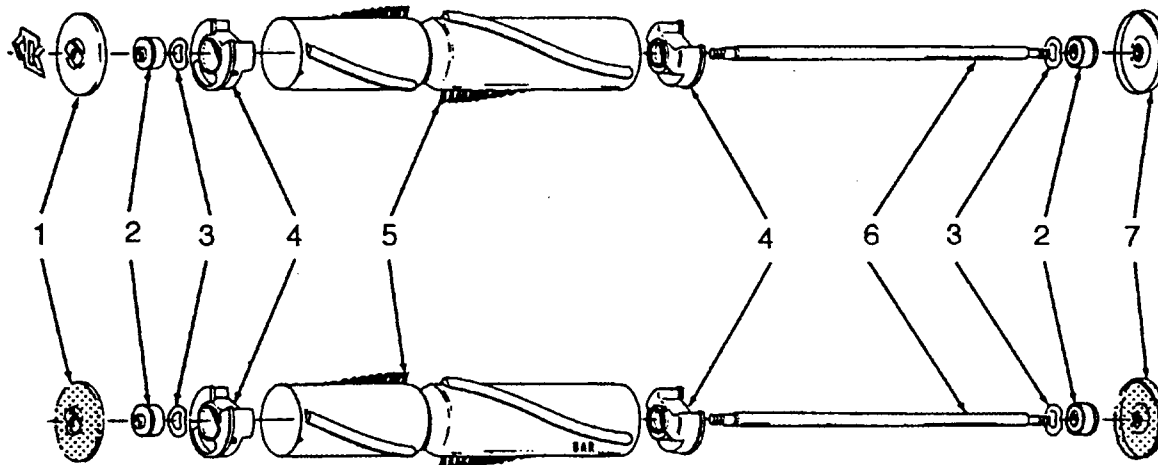
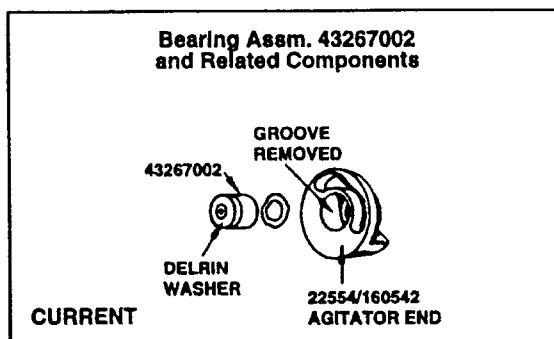
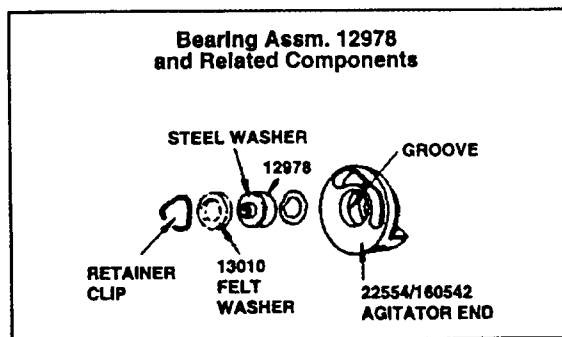
Outer Bag/ Outer Bag Comp.



Ref. No.	Part No.	Description
5	21765159	Screw
6	15854EF	* Nut
8	38336014	Jacket Support Spring
12	4010001A	Throw Away Bag (3 Pk.)
13	43482058	+ Top Fill Tube & Seal (Shown)
	38657004	Top Fill Tube (Push on Type)
14	32174004	Bag Collar Seal (Use w/Item 13 - 43482058)
16	38673009	Bellows
17	41424011	Bag Ring & Gasket
	41424502	+ Bag Ring & Gasket - U4014-079
18	11064JM	Bellow
19	161889	Bag Support Tube
20	4010003C	Throw Away Bag (4 Pk.)
	4010004C	+ Throw Away Bag (1 2 Pk.)
21	46550AG	Bag Retainer
21	35091	+ Bag Retainer Sleeve - Early Models
22	43678331	Outer Bag Comp. - Bottom Fill - Wide - Common
	43678052	+ Outer Bag Comp. - Bottom Fill - Narrow - Common
23	43677052	+ Outer Bag - Bottom Fill - Narrow - Common
	43677321	Outer Bag - Bottom Fill - Wide - Common
	43686510	Outer Bag - U4014-079 (Zip)
24	38335006	Jacket Support Spring
25	43678330	Outer Bag Comp. - Top Fill - Common
26	43677322	Outer Bag - Top Fill - Common

ITEMS NOT ILLUSTRATED

37911043	+ Header Cap - U4087 (JE)
37911044	+ Header Cap - U4091 (AR)
37911045	+ Header Cap - U4075 (EW)
37911047	+ Header Cap - U4093 (ET)
41129008	Cable Tie & Instruction Sheet (Used to secure the vinyl outer Jacket to the Bag Ring)
36953003	Hanger (Used in the repair of Item #'s 22,23,25,26. Secures Jacket Support Spring to Outer Bag/Outer Bag Comp.)



Ref. No.	Part No.	Description
1	49180	Thread Guard & Spring (Metal)
	36423003	+ Thread Guard L.H. (Molded)
2	43267002	Bearing
3	21347003	* Thrust Washer
4	22554	Agitator End (Early Model Standard Performance Cleaners, L.H. Helix)
	160542	Agitator End (Standard & High Performance Cleaners, R.H. Helix)
	41435070	Agitator End (Use w/two brush agitator Pt. #48414021)
5	12998BZ	Agitator Brush - 8 mil (Early Model Standard Performance Cleaners, L.H. Helix)
	160646BZ	Agitator Brush - 8 mil (Standard Performance Cleaners, R.H. Helix)
	48445001	Agitator Brush - 11 mil (High Performance Cleaners, R.H. Helix)
6	12981	+ Agitator Shaft (Used w/metal thread guards)
	32724008	Agitator Shaft (Used w/molded thread guards)
7	12985AY	Thread Guard R.H. (Metal)
	36423007	+ Thread Guard R.H. (Molded)

AGITATOR BELT

Ref. No.	Part No.	Description
	49258AG	Domestic models, Convertible/Decade 80/Heavy Duty Commercials
	44783AG	Lightweight Commercials

AGITATOR ASSEMBLY

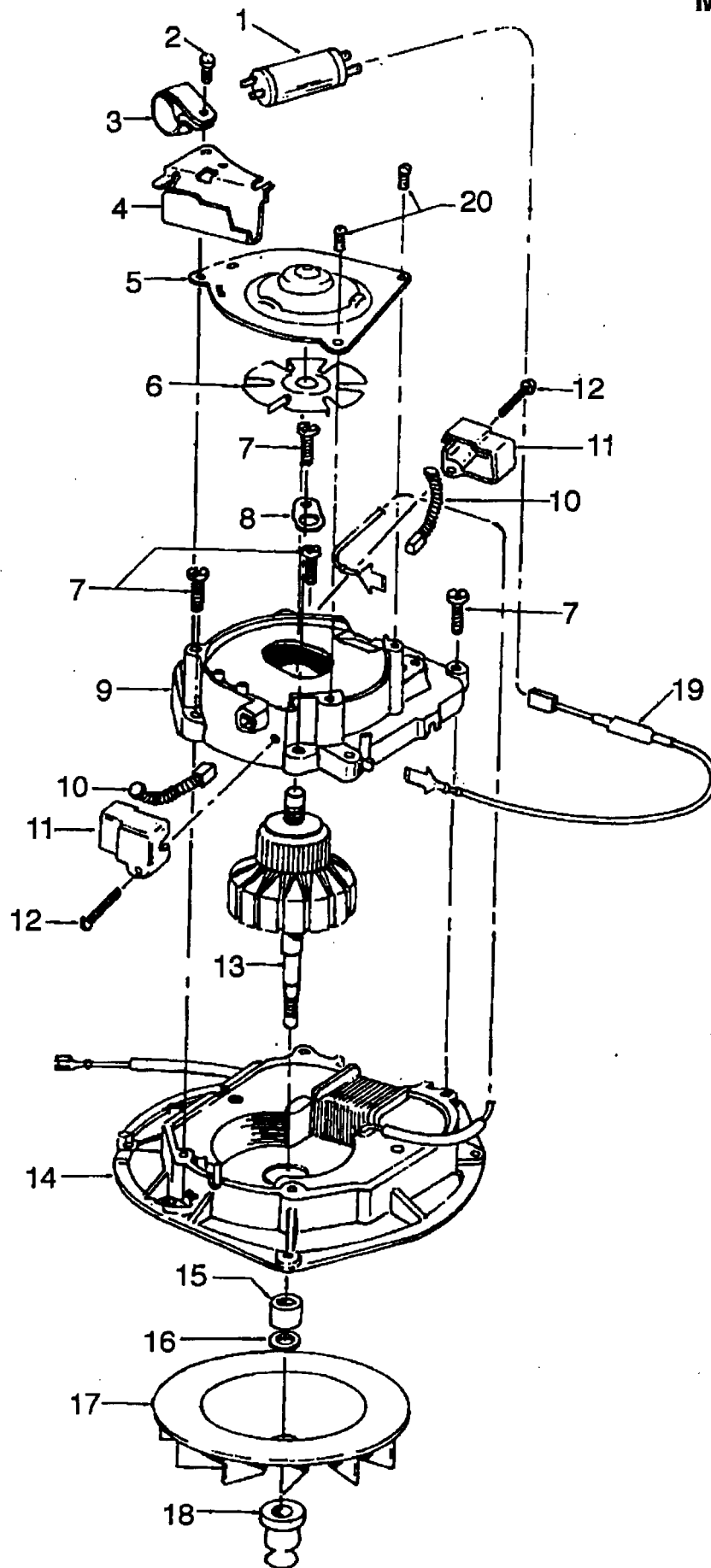
	169371MF	+ Standard Performance, R.H. Helix (Metal Thread Guards)
	41435005	High Performance Cleaners, R.H. Helix (Metal Thread Guards w/Spring)
	48414006	+ High Performance Cleaners, R.H. Helix (Metal Thread Guards)
	48414007	+ Standard Performance, R.H. Helix (Molded Thread Guards)

FOUR BRUSH AGITATOR ASSEMBLY

	48414002	+ Heavy Duty Commercial (Use 47159 Brush-Long, 47160 Brush-Short & 46875 Sems Fastener)
	48414003	Lightweight Commercial (Use 160646BZ Brush & 36422003 Agitator End)

TWO BRUSH W/O BEATER BAR

	48414021	Agitator (Molded Thread Guards)
--	----------	---------------------------------



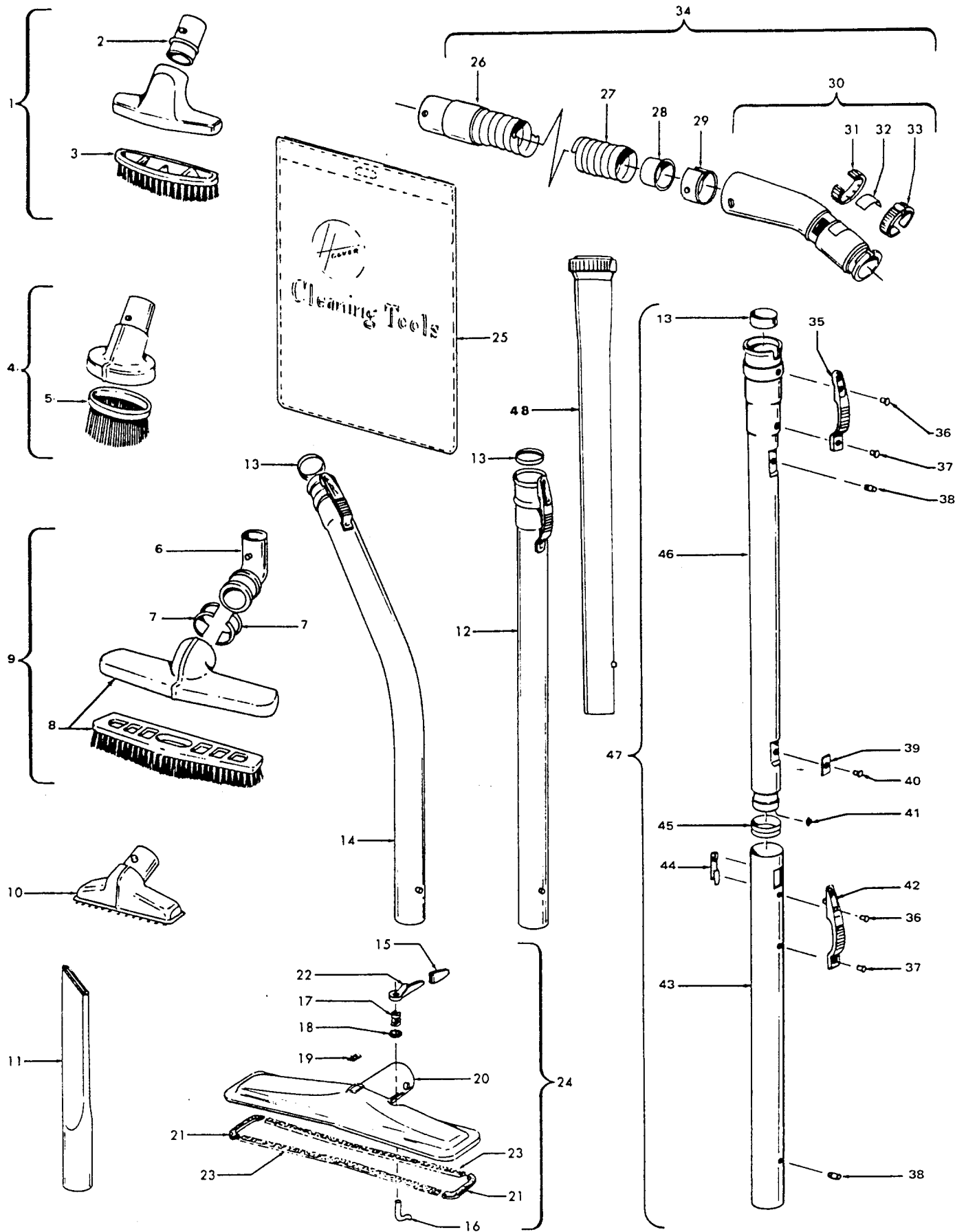
Motor**Model U4147-002**

Ref. No.	Part No.	Description
	43574085	Motor Assem. Comp.
1	47644515	Suppresser
2	14378	+ Sems Unit
3	27478003	+ Clamp
4	41961009	Indicator Guide Assem.
5	42934002	Motor Casing Cap Assem.
6	38755004	Ventilating Fan Assem.
7	161535	* Screw - Self Tapping (4)
8	45517	* Lead Wire Holder
9	19857	+ Motor Casing & Brush Holder Assem.
10	47318012	Motor Brush Assem. (2)
11	36315003	Motor Brush Holder Insulator (2)
12	46930AZ	+* Screw - Self Tapping (2)
13	44755007	Armature Assem. Comp.
14	45418031	+ Motor Casing -Lower Half Assem.
15	31731002	Fan Spacer
16	169241AW	* Washer
17	38755011	Fan - AG
18	43251003	Motor Pulley Insert - AW
19	47673010	+ TV Choke Assem.
20	45533AY	+* Screw - Machine (2)

* More than one washer may be required.

ITEMS NOT ILLUSTRATED

35276006 Indicator Guide Spring



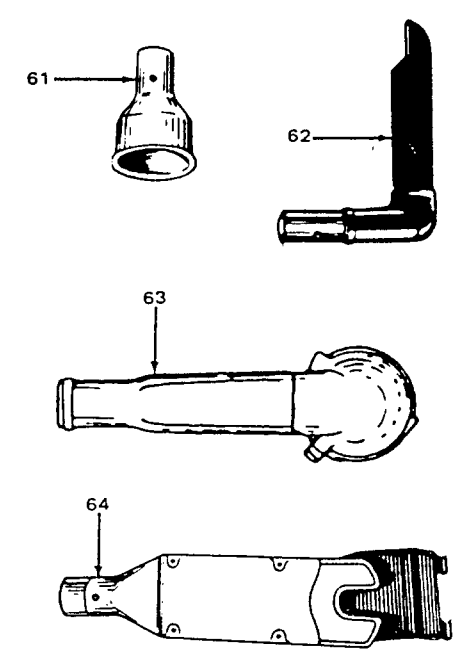
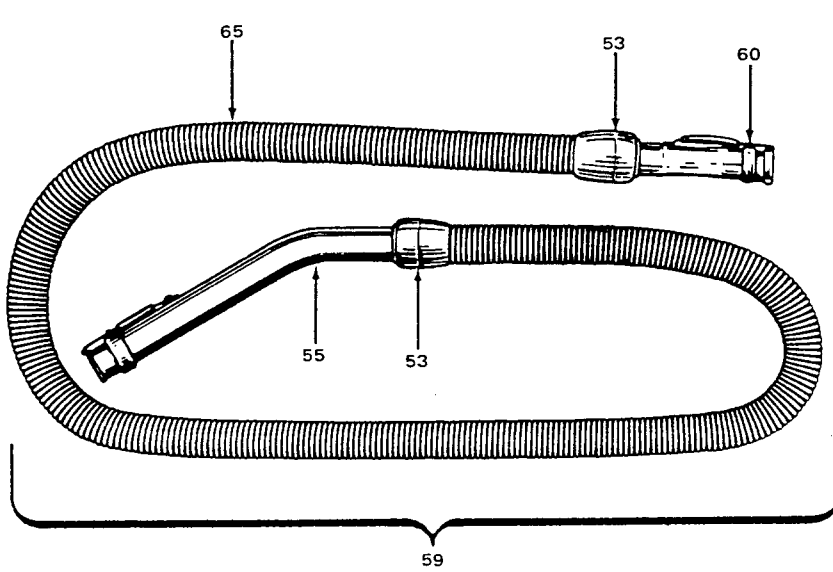
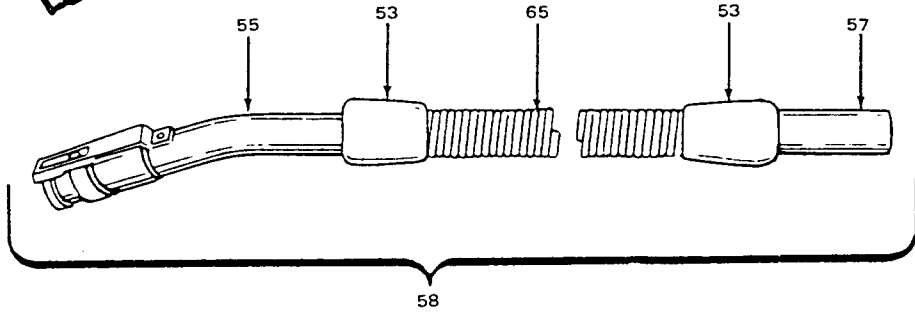
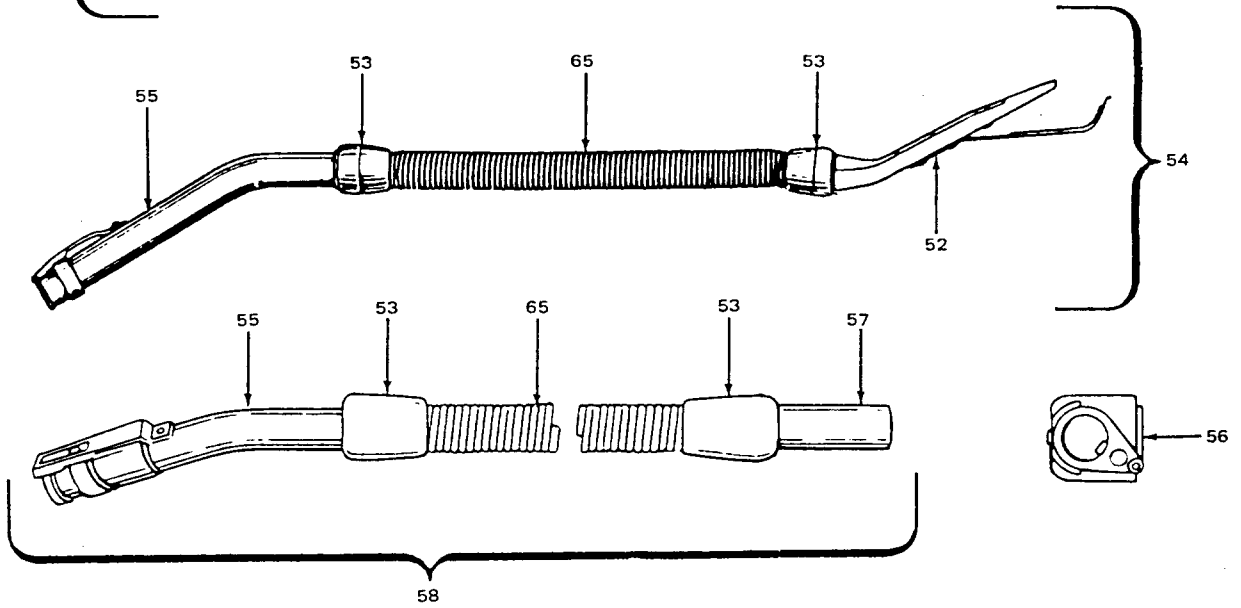
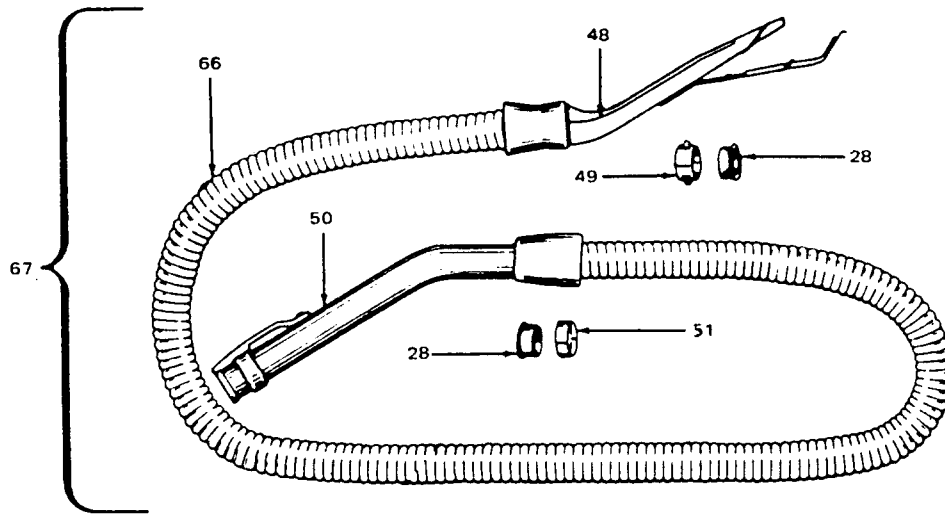
Cleaning Tools

Ref. No.	Part No.	Description
1	161852JM 43414016	+ Furniture Brush Furniture Brush - AG
2	13149JM	Nozzle Connector Tube (Use w/ 161852JM)
3	13254BZ	+ Furniture Brush Back (Use w/161852JM)
4	161851JM 43414064 43414145	+ Dusting Brush Comp. Dusting Brush (One Piece) (Std Fit) Dusting Brush - Friction
	13263BZ	+ Brush (Use w/ 61851 JM)
6	13154JM	+ Floor Brush Swivel & Collar (Use w/13077JM)
	38644040	Swivel Connector (Use w/43414073)
7	13276	Floor Brush Swivel Bushing (Use w/13154JM)
	33712007	Split Ring (Use w/38644040)
8	13155JM	+ Floor Brush Nozzle & Brush (Use w/ 13077JM)
	13077JM	+ Floor Brush
	43414073	Floor Brush - (Standard Fit)
	43414135	Floor Brush - AAP (Friction Fit)
10	43414057	Furniture Nozzle - (Standard Fit)
	38614029	Furniture Nozzle - AG - (Friction Fit)
11	38617017	Crevice Tool - AG - (Standard Fit)
	38617024	Crevice Tool
12	43453027	Extension Tube (Standard Fit)
13	12845JM	Gasket
14	43466040	Ext. Tube - Curved (Short) (Std. Fit)
15	34207AG	Handle Control Foot Pad
16	33126001	+ Latch - AW
17	38311006	+ Spring
18	161549	+ Washer
19	34121001	Pad - Felt
20	43482097	Converter Body Assem.
21	34253003	+ Seal - End
22	38452026	+ Latch Lever
23	34113005	+ Seal - Side
24	43482097	Converter Body Assem. Conversion - (Standard & Friction Fit)
25	58544004	+ Cleaning Tool Bag
26	32288007	Hose Connector (Use w/Continuous Convolution Hose) - (Standard Fit)
	32288003	Hose Connector - JM (Use w/Circular Ribbed Hose) - (Standard Fit)
	32288004	Hose Connector - AAP (Use /Circular Ribbed Hose) - (Std. & Friction Fit)
27	43434203 38671001	Hose Complete - AAP Hose Less Ends - JM (Circular Ribbed) - (Std. Fit Ends)
	38671028	+ Hose Less Ends - AAP (Circular Ribbed) - (Std. Fit Ends)
	38671030	+ Hose Less Ends (Circular Ribbed) - (Friction Fit Ends)
28	32156010	Hose Sleeve - (Standard Fit Hose)
29	36116006	Hose Connector Collar (Use w/ Continuous Convolution Hose) (Standard Fit Hose)
	36171025	Hose Connector Collar (Use w/Circular Ribbed Hose) - (Standard Fit Hose)

Convertible

Ref. No.	Part No.	Description
30	43466044	Hose Connector Curved w/Rings-AAP (Use w/Continuous Convolution Hose) (Std. Fit)
	43466055	+ Hose Connector Curved w/Latch Ring- JM (w/o Suction Regulator) (Use w/ Circular Ribbed Hose) - (Standard Fit)
	43466058	Hose Connector Curved w/Latch Ring AAP (w/o Suction Regulator) - Use w/Circular Ribbed Hose - (Std. Fit)
	39454059	Hose Connector - AAP -
31	38711006	Suction Control Ring - (Standard)
32	51869006	Hose Connector Label - (Standard)
33	36153009	Latch Ring - MV - (Standard)
34	43434203	Hose Comp. - Front Conversion (Continuous Convolution) (w/o Suction Regulator) - (Standard Fit)
	43434209	Hose Comp. - Front Conversion - JM (Circular Ribbed) (w/o Suction Regulator) - (Standard Fit)
	43434210	Hose Comp. - Front Conversion - AAP (Circular Ribbed w/o Suction Regulator) (Standard Fit)
	43434225	+ Hose Comp. - AAP - (Friction Fit)
35	12846AG	Tube Latch
36	12772	+* Rivet
37	12783	+* Rivet
38	12763AW	* Rivet
39	12824	+ Reinforcement Plate
40	12600	Rivet
41	21312704	* Washer
42	36152018	Tube Latch - Outer
43	12597	Extension Tube - Outer
44	12589	Extension Tube Guide
45	12844JM	+ Gasket - Inner
46	12598	+ Extension Tube - Inner
47	43458001	Extension Tube - (Standard Fit)
48	3863801P 38634078	Extension Tube - Poly - AG Extension Tube (Polystyrene) - AAP - (Friction Fit)

Standard Fit Tools ... w/Retention Pin
Friction Fit Tools ... w/o Retention Pin



Cleaning Tools

Ref. No.	Part No.	Description
48	13147JM	+ Converter (Std. - Rear Conversion)
49	12615BZ	Hose Converter Collar
50	43466044	Hose Grip - AAP - SC
51	12704BZ	Hose Grip Collar
52	23473JM	+ Converter (Except 63, 64) (Use w/ Hose 48617)
53	23393JM	Hose Grip
54	12864JM	+ Hose Comp. - Ultraflex (Equipped w/Converter 23473)
55	13143	Hose Tube Curved
56	43452503	Converter - 1330, 1348, 1348-002
57	17959A	+ Hose Connector Tube - 1330 (Metal)
	641398LL	+ Hose Connector Tube - 1348, 1348-002 (Plastic)
58	19633JM	+ Hose Comp. - Ultraflex - 1330, 1340, 1348, 1348-002
59	22671JM	+ Hose Comp. - Ultraflex (Commercial) Use w/Converter 34202 or 35190)
	23007A	+ Hose Comp. - Ultraflex (Use w/Converter 35447)

Convertible

Ref. No.	Part No.	Description
60	34083	+ Hose End - 14, 63, 64
	34355	+ Hose End Short (Commercial)
61	34984A	+ Blower (Use w/Hose 22671)
62	35447	+ Converter - Special - 63, 64
63	35190	Converter (Use w/Hose 22671)
64	34202JM	+ Converter (Use w/Hose 22671)
65	48617JM	+ Hose Less Ends
66	43434213	Hose Less Ends
67	12864JM	+ Hose Assem. Comp. - Tufflex (Std. Rear Conversion)

ITEMS NOT ILLUSTRATED

161728	+ Turbine Roto - Power Brush
169460JM	+ Ultraflex Hose - 50' length
43431011	+ Tufflex Hose - 50' length