

Convertible

Ref. No.	Part No.	Description
1	39454060	Handle Grip - AG
2	27666702	* Terminal (2)
3	281770KD	Switch
4	37258015	Switch Cover - KT
5	38421012	Switch Button
6	46383304	Cord
7	51663003	+ Nameplate
8	12227	Insulated Terminal
9	166735EF	+ Self Tapping Screw
10	39442001	Bag Support - JM
11	4010001A	Throw Away Bag (3 Pk.)
12	38336014	Jacket Support Spring
13	43677322	Outer Bag - Common
14	43678330	Outer Bag Comp. - Common
15	43482058	+ Top Fill Tube & Seal (Shown)
	38657004	Top Fill Tube (Push on type)
16	32174004	Bag Collar Seal (Use w/Item 15 - 43482058)
17	48631070	+ Handle - Upper Half - KS
	48631071	+ Handle - Upper Half - JM - U4159
	48631072	+ Handle - Upper Half - AX - U4161-9
18	48652045	Handle Assem. Comp.
19	32277008	Handle Clamp Nut (2)
20	21631301	Handle Clamp Bolt (2)
21	48631021	+ Handle - Lower Half - KS
	48631020	Handle - Lower Half - JM - U4159
	48631035	Handle - Lower Half - AX - U4161-9
22	41424011	Bag Flange & Sealant
23	38673009	Bellows - JM
24	15854EF	* Nut
25	21765159	* Screw - Machine
26	46326070	Handle Plug Receptacle
27	46323105	Plug & Tubing Assem.
28	34777012	Bail Cover Plate
29	161649JM	Bail Assem. - KS
	41416026	Bail Assem. - JM - U4159, U4161-9
	41416028	+ Bail Assem. - LS
30	38426080	Foot Pad - AG (2)
31	43137036	Handle Control Lever Assem. - JM
32	31727023	Cord Cover Tubing
33	27479307	* Lead Wire Tie (4)
34	11735	Roller Detent Assem.
35	21465312	* Screw - Self Tapping (2)
36	27479307	* Cable Tie
37	161507	+* Washer (Use w/Metal Nozzle Adj. Lever)
38	43137013	+ Nozzle Adj. Lever - Metal (Use w/ 43263001)
	38456044	Nozzle Adj. Lever - Plastic (use w/ 43263005)
39	51151034	Indicator - AG
40	13730	* Lock Ring (use (3) w/43137013; Use (2) w/38456044)
41	38313023	Motor Lead Spring
42	19907--	Bag Flange Clamp Lever
43	48409FW	Bag Flange Clamp Lever Spring
44	47450AY	Pivot Pin
45	161509AY	Bail Shaft

Model U4153, U4159, U4161-9

Ref. No.	Part No.	Description
46	43263001	+ Cam Follower - Metal (Use w/43137013)
	43263005	Cam Follower - Plastic (Use w/38456044)
47	34252005	* Yoke
48	33141011	+ Rear Wheel Shaft (Use in conjunction w/Item 53 - 17207AZ)
	33152003	Rear Wheel Shaft (Use in conjunction w/Item 53 - 32182001)
49	161513	Spring
50	21312772	* Washer (Use (1) w/33152003; Use w/33141011 & (2) w/47457)
51	34355002	Agitator Support Plate (2)
	21312781	Agitator Support Washer (2)
52	48422	* Rivet - Tubular (use (2) w/47260; Use (1) W/21312781)
53	17207AZ	* Spring Lock Ring - Metal (2) (Use w/33141011)
	32182001	* Wheel Retainer - Plastic (2) (Use w/33152003)
54	12559FW	Handle Control Lever Spring
55	27617103	Connector (2)
56	27725506	Receptacle Terminal (4)
57	34771001	Switch Bracket
58	14197	+* Terminal (3)
59	160472	+ Insulating Pod (3)
60	38452028	Switch Actuator
61	23254001	* Screw Assem.
62	19513AG	Switch
63	21447020	* Screw - Self Tapping (6)
64	168278AY	+* Washer (4)
65	36951004	Retainer - BU (2)
66	12997AW	Rivet (4)
67	48111008	Indicator Lens
68	39383053	Lens-Shield
	39383037	Lens - Shield - U4159
69	52115083	+ Nameplate - U4153, U4161-9
70	36231133	Furniture Guard - KT - U4153
	36231031	Furniture Guard - LU - U4159
	36231028	Furniture Guard - LT - U4161-9
71	17001FW	Screw - Self Tapping (2)
72	27313101	Dirt Finder Lamp (2)
73	47176002	Dirt Finder Socket Assem. (2)
74	36912005	Lamp Socket Holder - AG
75	43574141	+ Motor Assem. Comp.
76	21447003	* Screw - Self Tapping
77	34665007	Pivot Pin Retainer
78	42242189	Main Body Assem. - KE - (w/o Metal Liner)
79	38522013	Carrier Wheel - AG (2)
80	47457AY	Carrier Wheel Shaft (2)
81	41435005	Agitator Assem. Comp. - JU (See Detail Dwg.)
82	49258AG	Belt
83	13730	* Lock Ring (2)
84	12503EF	* Rivet - Tubular

Convertible

Ref. No.	Part No.	Description
85	12138FW	Bottom Plate Spring
86	21312703	* Washer
87	34784021	Agitator Retainer Spring (2)
88	34111001	* Support Pad (2)
89	42246038	Bottom Plate (Used on Main Body w/Exposed Metal Liner)
	42246062	Bottom Plate (Used on Main Body w/o Exposed Metal Liner)
90	12456	+* Rivet - Tubular (2)
91	35446005	Bottom Plate Latch - Left
92	35446003	Bottom Plate Latch - Right
93	21447009	* Screw - Self Tapping (2)
94	35434040	Axle/Bag Flange Retainer
95	38521016	Rear Wheel (2)

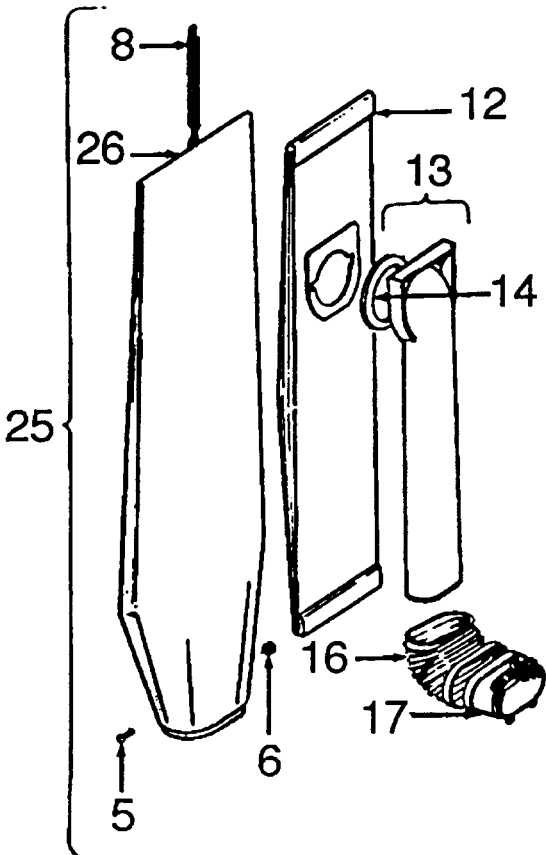
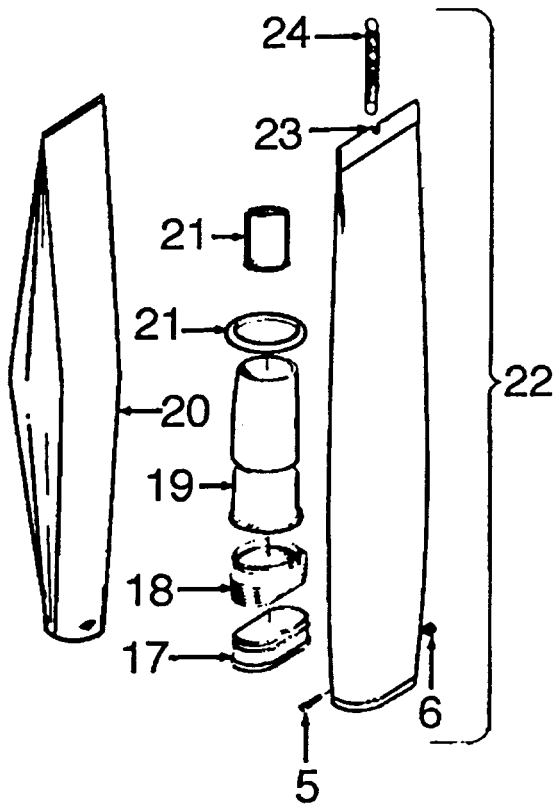
Model U4153, U4159, U4161-9

Ref. No.	Part No.	Description
96	42251205	+ Hood Assem. - LS - U4161-9
	42251107	+ Hood Assem. - JM
97	37959007	+ Bag Cover - LS - U4161-9
98	37959095	Hanger - LS - U4161-9
99	36153030	Cord Retainer - U4161-9
100	21434824	Screw - Self Tapping - U4161-9

PACKAGING MATERIAL

58173039	+ Carton - Common
58343025	Front Support
58366012	Rear Support
56511132	+ Owner Manual

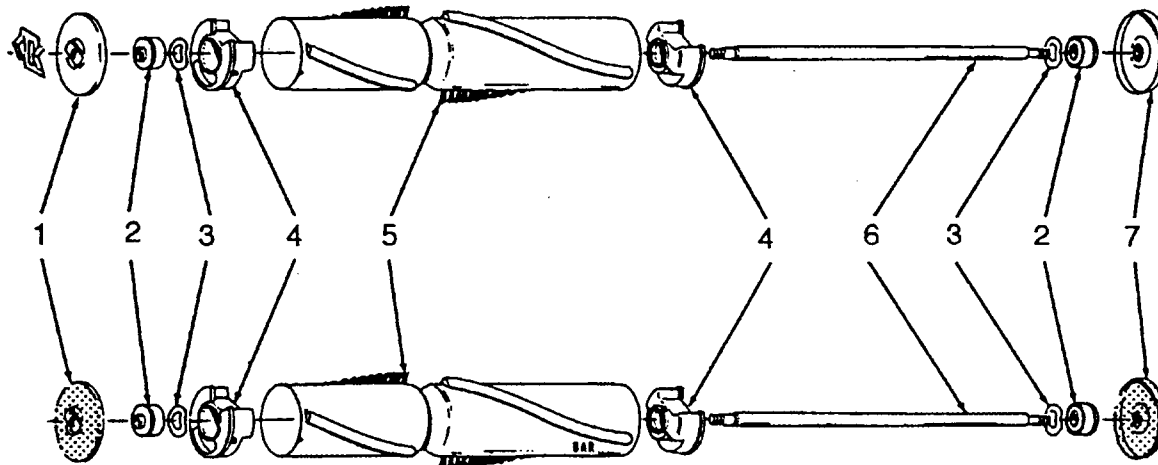
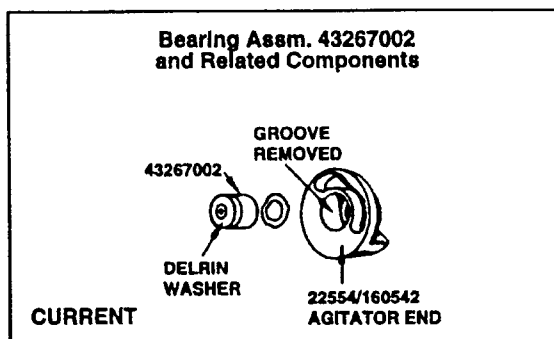
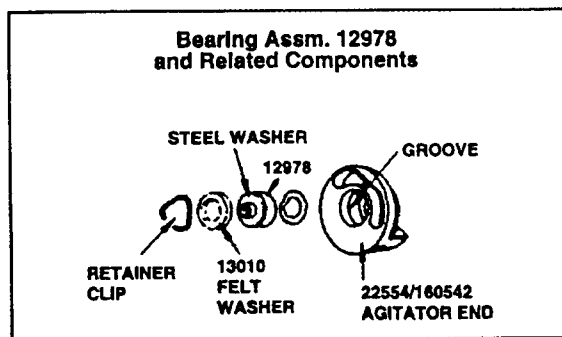
Outer Bag/ Outer Bag Comp.



Ref. No.	Part No.	Description
5	21765159	Screw
6	15854EF	* Nut
8	38336014	Jacket Support Spring
12	4010001A	Throw Away Bag (3 Pk.)
13	43482058	+ Top Fill Tube & Seal (Shown)
	38657004	Top Fill Tube (Push on Type)
14	32174004	Bag Collar Seal (Use w/Item 13 - 43482058)
16	38673009	Bellows
17	41424011	Bag Ring & Gasket
	41424502	+ Bag Ring & Gasket - U4014-079
18	11064JM	Bellow
19	161889	Bag Support Tube
20	4010003C	Throw Away Bag (4 Pk.)
	4010004C	+ Throw Away Bag (1 2 Pk.)
21	46550AG	Bag Retainer
21	35091	+ Bag Retainer Sleeve - Early Models
22	43678331	Outer Bag Comp. - Bottom Fill - Wide - Common
	43678052	+ Outer Bag Comp. - Bottom Fill - Narrow - Common
23	43677052	+ Outer Bag - Bottom Fill - Narrow - Common
	43677321	Outer Bag - Bottom Fill - Wide - Common
	43686510	Outer Bag - U4014-079 (Zip)
24	38335006	Jacket Support Spring
25	43678330	Outer Bag Comp. - Top Fill - Common
26	43677322	Outer Bag - Top Fill - Common

ITEMS NOT ILLUSTRATED

37911043	+ Header Cap - U4087 (JE)
37911044	+ Header Cap - U4091 (AR)
37911045	+ Header Cap - U4075 (EW)
37911047	+ Header Cap - U4093 (ET)
41129008	Cable Tie & Instruction Sheet (Used to secure the vinyl outer Jacket to the Bag Ring)
36953003	Hanger (Used in the repair of Item #'s 22,23,25,26. Secures Jacket Support Spring to Outer Bag/Outer Bag Comp.)



Ref. No.	Part No.	Description
1	49180	Thread Guard & Spring (Metal)
	36423003	+ Thread Guard L.H. (Molded)
2	43267002	Bearing
3	21347003	* Thrust Washer
4	22554	Agitator End (Early Model Standard Performance Cleaners, L.H. Helix)
	160542	Agitator End (Standard & High Performance Cleaners, R.H. Helix)
	41435070	Agitator End (Use w/two brush agitator Pt. #48414021)
5	12998BZ	Agitator Brush - 8 mil (Early Model Standard Performance Cleaners, L.H. Helix)
	160646BZ	Agitator Brush - 8 mil (Standard Performance Cleaners, R.H. Helix)
	48445001	Agitator Brush - 11 mil (High Performance Cleaners, R.H. Helix)
6	12981	+ Agitator Shaft (Used w/metal thread guards)
	32724008	Agitator Shaft (Used w/molded thread guards)
7	12985AY	Thread Guard R.H. (Metal)
	36423007	+ Thread Guard R.H. (Molded)

AGITATOR BELT

Ref. No.	Part No.	Description
	49258AG	Domestic models, Convertible/Decade 80/Heavy Duty Commercials
	44783AG	Lightweight Commercials

AGITATOR ASSEMBLY

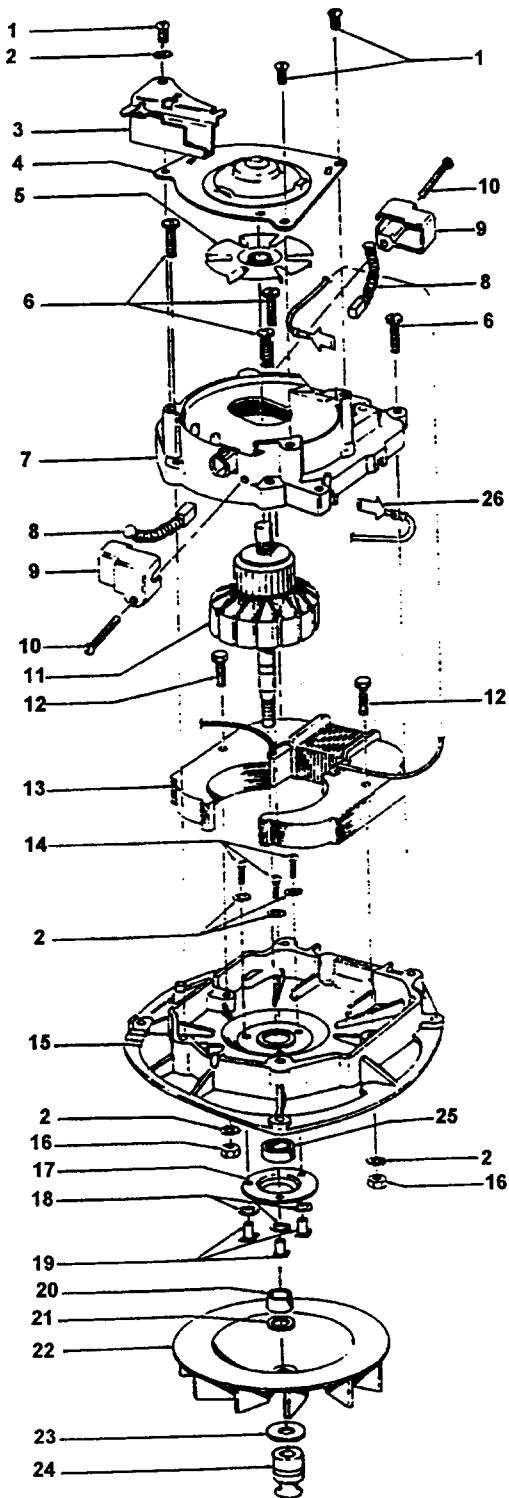
169371MF	+ Standard Performance, R.H. Helix (Metal Thread Guards)
41435005	High Performance Cleaners, R.H. Helix (Metal Thread Guards w/Spring)
48414006	+ High Performance Cleaners, R.H. Helix (Metal Thread Guards)
48414007	+ Standard Performance, R.H. Helix (Molded Thread Guards)

FOUR BRUSH AGITATOR ASSEMBLY

48414002	+ Heavy Duty Commercial (Use 47159 Brush-Long, 47160 Brush-Short & 46875 Sems Fastener)
48414003	Lightweight Commercial (Use 160646BZ Brush & 36422003 Agitator End)

TWO BRUSH W/O BEATER BAR

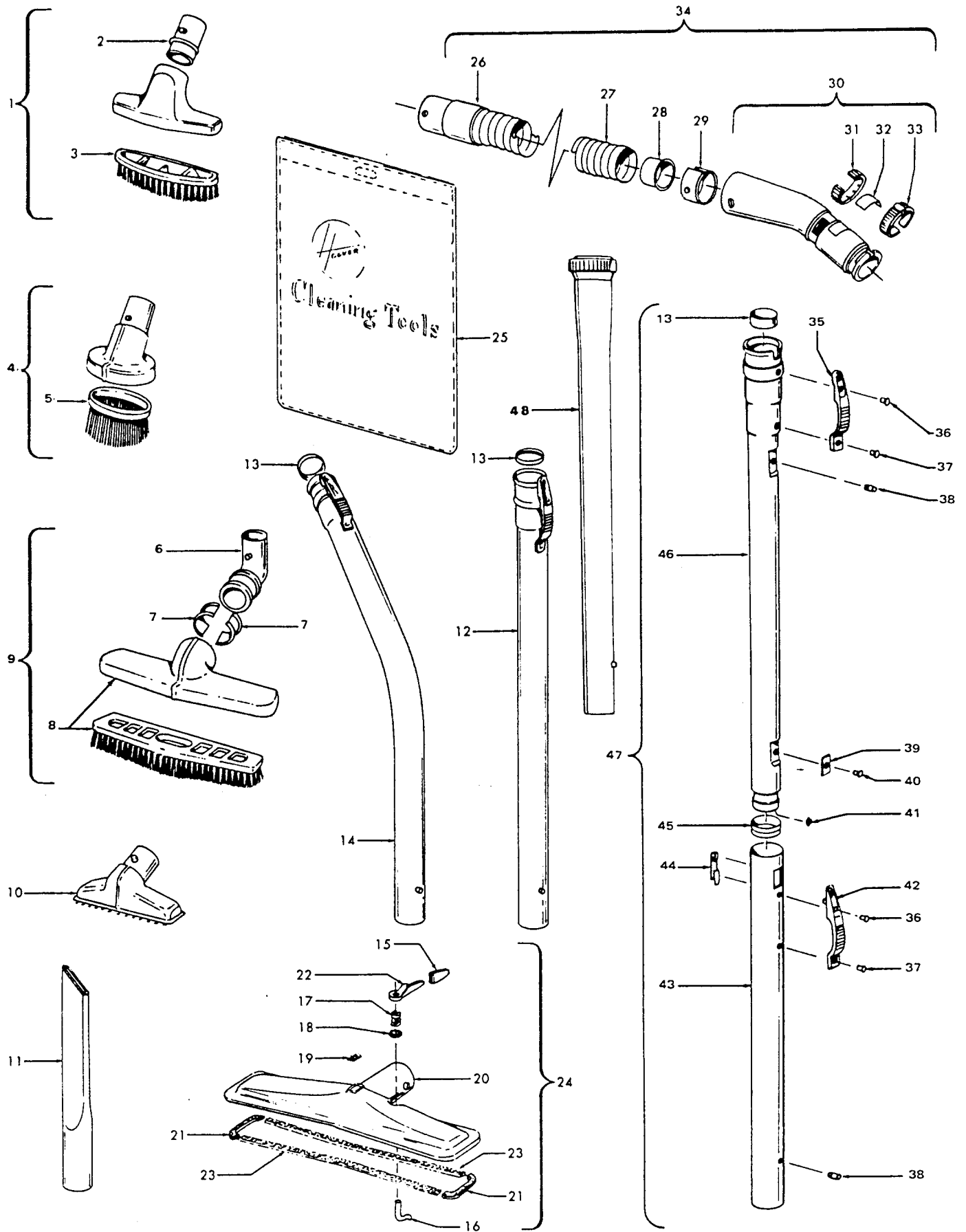
48414021	Agitator (Molded Thread Guards)
----------	---------------------------------



Ref. No.	Part No.	Description
1	45533AY	+* Screw - Machine (3)
2	14062	* Washer - Lock (6)
3	41961009	Indicator Guide Assem.
4	42934002	Motor Casing Cap Assem.
5	38755004	Fan
6	161535	* Screw - Self Tapping (4)
7	19857	+ Motor Casing & Brush Holder
8	47318012	Motor Brush Assem. (2)
9	36315003	Motor Brush Holder Insulator (2)
10	46930AZ	+* Screw - Self Tapping (2)
11	44765085	Armature
12	45118	* Bolt (2)
13	45412014	+ Field
14	21772501	* Screw (3)
15	42193006	Motor Casing - Lower Half - 8MM
16	15673	* Nut (2)
17	32184003	Bearing Retainer - 8MM
18	19772	* Lockwasher (3)
19	45251	Special Nut (3)
20	31731002	Fan Spacer - 8MM
21	169241AW	* Washer
22	38755011	Fan - AG
23	31162004	* Washer - Heat Insulating
24	38532009	Motor Pulley
25	24152807	Motor Bearing - 8MM
26	14320	* Terminal
	43574141	+ Motor Assem. Comp.
	43267006	Bearing Assem. Comp. - 8MM
	35276006	Indicator Guide Spring

ITEMS NOT ILLUSTRATED

40300014	Armature Spacer/Split Sleeve Kit (For use with Lower Mtr. Brgs. with 4 Attachment Holes)
----------	--



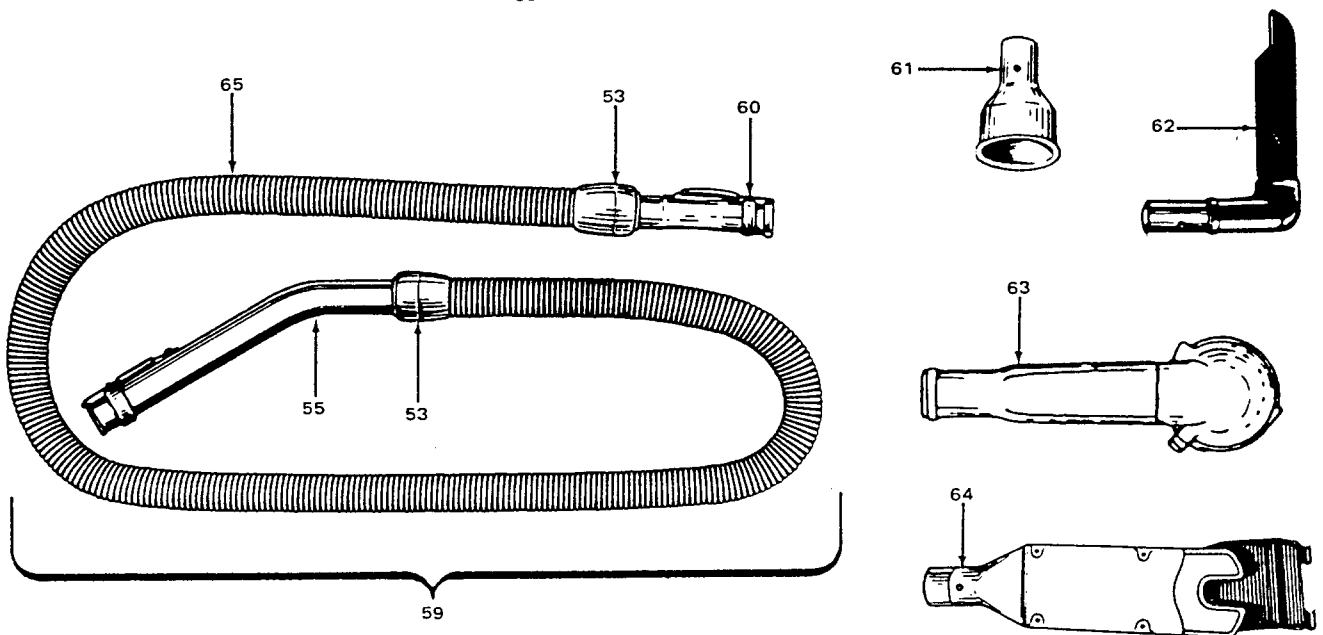
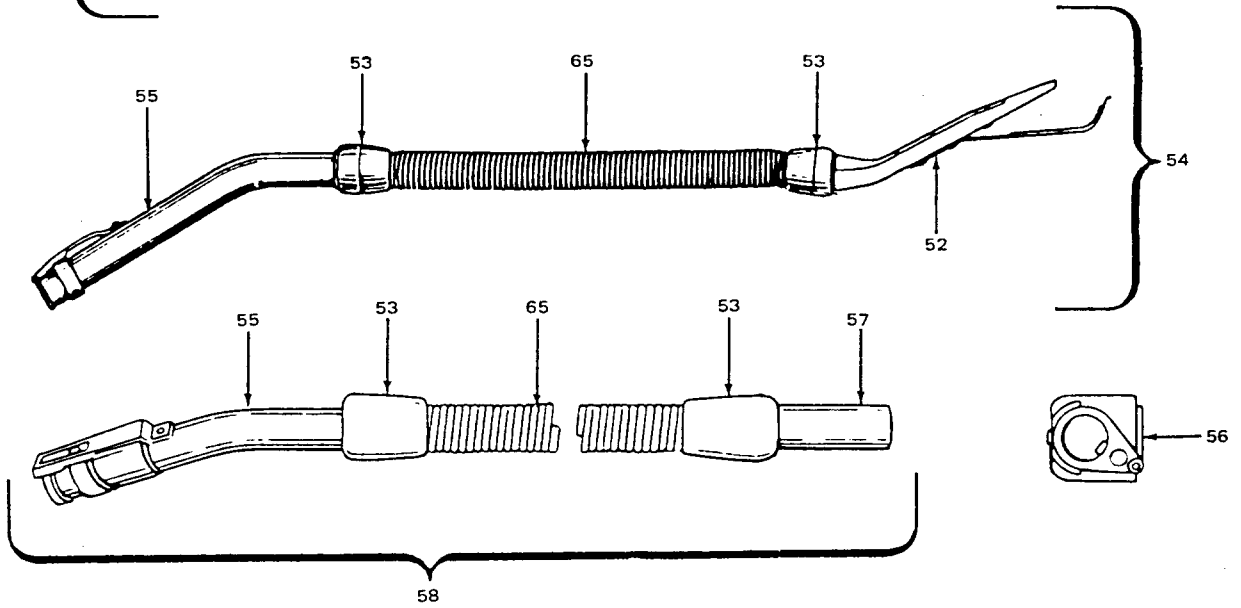
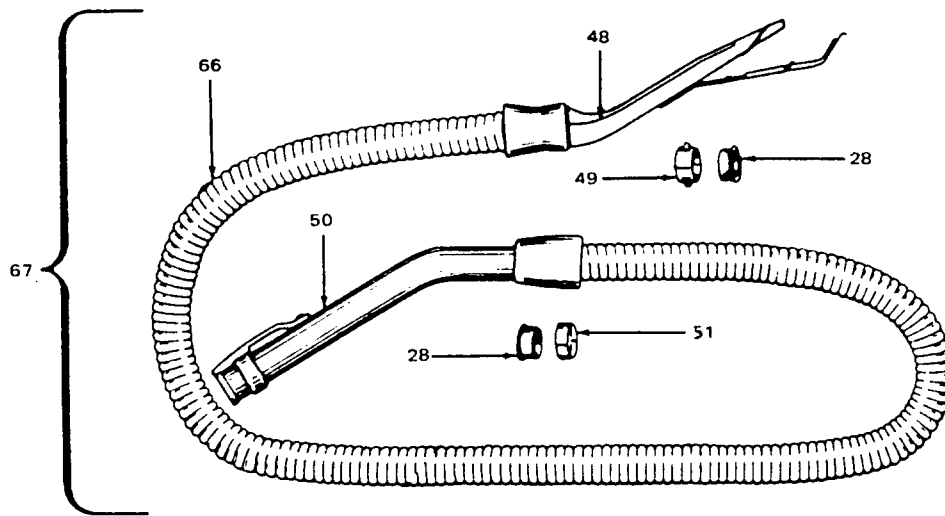
Cleaning Tools

Ref. No.	Part No.	Description
1	161852JM 43414016	+ Furniture Brush Furniture Brush - AG
2	13149JM	Nozzle Connector Tube (Use w/ 161852JM)
3	13254BZ	+ Furniture Brush Back (Use w/161852JM)
4	161851JM 43414064 43414145	+ Dusting Brush Comp. Dusting Brush (One Piece) (Std Fit) Dusting Brush - Friction
	13263BZ	+ Brush (Use w/ 61851 JM)
6	13154JM	+ Floor Brush Swivel & Collar (Use w/13077JM)
	38644040	Swivel Connector (Use w/43414073)
7	13276	Floor Brush Swivel Bushing (Use w/13154JM)
	33712007	Split Ring (Use w/38644040)
8	13155JM	+ Floor Brush Nozzle & Brush (Use w/ 13077JM)
	13077JM	+ Floor Brush
	43414073	Floor Brush - (Standard Fit)
	43414135	Floor Brush - AAP (Friction Fit)
10	43414057	Furniture Nozzle - (Standard Fit)
	38614029	Furniture Nozzle - AG - (Friction Fit)
11	38617017	Crevice Tool - AG - (Standard Fit)
	38617024	Crevice Tool
12	43453027	Extension Tube (Standard Fit)
13	12845JM	Gasket
14	43466040	Ext. Tube - Curved (Short) (Std. Fit)
15	34207AG	Handle Control Foot Pad
16	33126001	+ Latch - AW
17	38311006	+ Spring
18	161549	+ Washer
19	34121001	Pad - Felt
20	43482097	Converter Body Assem.
21	34253003	+ Seal - End
22	38452026	+ Latch Lever
23	34113005	+ Seal - Side
24	43482097	Converter Body Assem. Conversion - (Standard & Friction Fit)
25	58544004	+ Cleaning Tool Bag
26	32288007	Hose Connector (Use w/Continuous Convolution Hose) - (Standard Fit)
	32288003	Hose Connector - JM (Use w/Circular Ribbed Hose) - (Standard Fit)
	32288004	Hose Connector - AAP (Use /Circular Ribbed Hose) - (Std. & Friction Fit)
27	43434203 38671001	Hose Complete - AAP Hose Less Ends - JM (Circular Ribbed) - (Std. Fit Ends)
	38671028	+ Hose Less Ends - AAP (Circular Ribbed) - (Std. Fit Ends)
	38671030	+ Hose Less Ends (Circular Ribbed) - (Friction Fit Ends)
28	32156010	Hose Sleeve - (Standard Fit Hose)
29	36116006	Hose Connector Collar (Use w/ Continuous Convolution Hose) (Standard Fit Hose)
	36171025	Hose Connector Collar (Use w/Circular Ribbed Hose) - (Standard Fit Hose)

Convertible

Ref. No.	Part No.	Description
30	43466044	Hose Connector Curved w/Rings-AAP (Use w/Continuous Convolution Hose) (Std. Fit)
	43466055	+ Hose Connector Curved w/Latch Ring- JM (w/o Suction Regulator) (Use w/ Circular Ribbed Hose) - (Standard Fit)
	43466058	Hose Connector Curved w/Latch Ring AAP (w/o Suction Regulator) - Use w/Circular Ribbed Hose - (Std. Fit)
	39454059	Hose Connector - AAP -
31	38711006	Suction Control Ring - (Standard)
32	51869006	Hose Connector Label - (Standard)
33	36153009	Latch Ring - MV - (Standard)
34	43434203	Hose Comp. - Front Conversion (Continuous Convolution) (w/o Suction Regulator) - (Standard Fit)
	43434209	Hose Comp. - Front Conversion - JM (Circular Ribbed) (w/o Suction Regulator) - (Standard Fit)
	43434210	Hose Comp. - Front Conversion - AAP (Circular Ribbed w/o Suction Regulator) (Standard Fit)
	43434225	+ Hose Comp. - AAP - (Friction Fit)
35	12846AG	Tube Latch
36	12772	+* Rivet
37	12783	+* Rivet
38	12763AW	* Rivet
39	12824	+ Reinforcement Plate
40	12600	Rivet
41	21312704	* Washer
42	36152018	Tube Latch - Outer
43	12597	Extension Tube - Outer
44	12589	Extension Tube Guide
45	12844JM	+ Gasket - Inner
46	12598	+ Extension Tube - Inner
47	43458001	Extension Tube - (Standard Fit)
48	3863801P 38634078	Extension Tube - Poly - AG Extension Tube (Polystyrene) - AAP - (Friction Fit)

Standard Fit Tools ... w/Retention Pin
Friction Fit Tools ... w/o Retention Pin



Cleaning Tools

Ref. No.	Part No.	Description
48	13147JM	+ Converter (Std. - Rear Conversion)
49	12615BZ	Hose Converter Collar
50	43466044	Hose Grip - AAP - SC
51	12704BZ	Hose Grip Collar
52	23473JM	+ Converter (Except 63, 64) (Use w/ Hose 48617)
53	23393JM	Hose Grip
54	12864JM	+ Hose Comp. - Ultraflex (Equipped w/Converter 23473)
55	13143	Hose Tube Curved
56	43452503	Converter - 1330, 1348, 1348-002
57	17959A	+ Hose Connector Tube - 1330 (Metal)
	641398LL	+ Hose Connector Tube - 1348, 1348-002 (Plastic)
58	19633JM	+ Hose Comp. - Ultraflex - 1330, 1340, 1348, 1348-002
59	22671JM	+ Hose Comp. - Ultraflex (Commercial) Use w/Converter 34202 or 35190)
	23007A	+ Hose Comp. - Ultraflex (Use w/Converter 35447)

Convertible

Ref. No.	Part No.	Description
60	34083	+ Hose End - 14, 63, 64
	34355	+ Hose End Short (Commercial)
61	34984A	+ Blower (Use w/Hose 22671)
62	35447	+ Converter - Special - 63, 64
63	35190	Converter (Use w/Hose 22671)
64	34202JM	+ Converter (Use w/Hose 22671)
65	48617JM	+ Hose Less Ends
66	43434213	Hose Less Ends
67	12864JM	+ Hose Assem. Comp. - Tufflex (Std. Rear Conversion)

ITEMS NOT ILLUSTRATED

161728	+ Turbine Roto - Power Brush
169460JM	+ Ultraflex Hose - 50' length
43431011	+ Tufflex Hose - 50' length